

Series 31

Technical Data

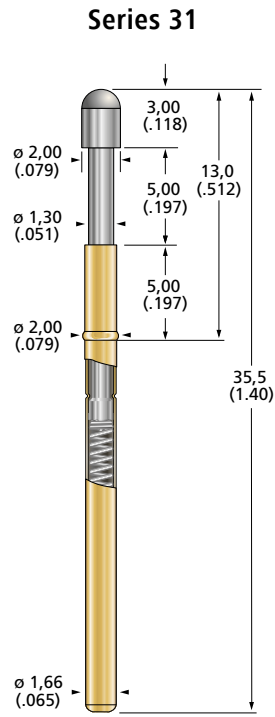
Overall Length	35,50 mm
Minimum Centre Spacing	2,54 mm
Maximum Travel	5,00 mm
Working Travel	3,30 mm
Temperature Range from	-55°C
Up to	+120°C
Typical Resistance	20 mΩ
Current Load rated/max.	3,0 / 4,0 A

Materials

Plunger	CuBe or steel, gold plated
Barrel	Nickel silver, gold plated
Spring	Music wire, silver plated

Compared to the standard 30 the Series 31 has a collar elongated by 3 mm and thus a correspondingly larger installation height.

The 31 series uses the receptacles of the series 30 shown on page 42.



Spring Force (xx)

Preload	Rated Force	Code
0,3 N	0,8 N	08
0,9 N	1,5 N	15
1,5 N	3,0 N	30
2,0 N	5,0 N	50

	Ø 0,70	31.102.07.xx
	Ø 1,30	31.102.13.xx
	Ø 1,30	31.103.13.xx
	Ø 2,00	31.103.20.xx
	Ø 3,00	31.03.30.xx
	Ø 1,90	31.104.19.xx
	Ø 1,30	31.05.13.xx
	Ø 1,50	31.05.15.xx
	Ø 2,00	31.05.20.xx
	Ø 1,30	31.06.13.xx
	Ø 1,60	31.106.16.xx
	Ø 2,00	31.106.20.xx
	Ø 1,30	31.107.13.xx
	Ø 1,30	31.108.13.xx
	Ø 2,00	31.108.20.xx
	Ø 2,70	31.308.27.xx
	Ø 1,30	31.10.13.xx
	Ø 1,80	31.10.18.xx
	Ø 1,30	31.118.13.xx
	Ø 2,00	31.61.20.xx



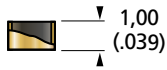
For **XXLonglife-Nanocoating** order as **31X**

RECEPTACLES SERIES

30 / 31 / 40 / 41 / 42 / 44 / 49

D 30.01

Spacer tube 1 mm



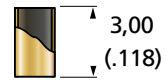
D 30.02

Spacer tube 2 mm



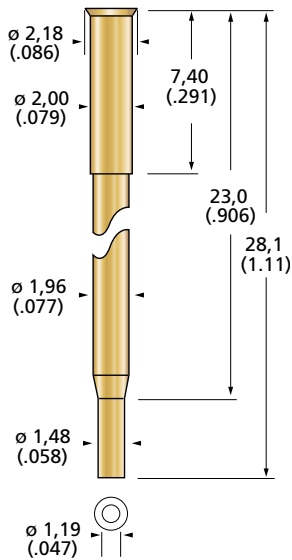
D 30.03

Spacer tube 3 mm



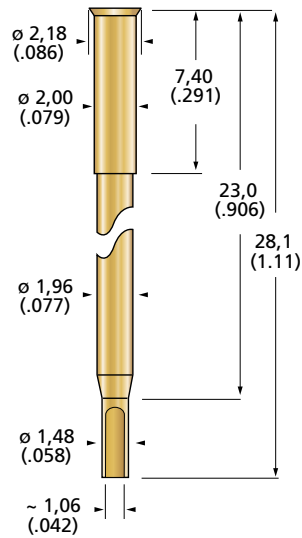
S 30.00-C

Open Crimp End



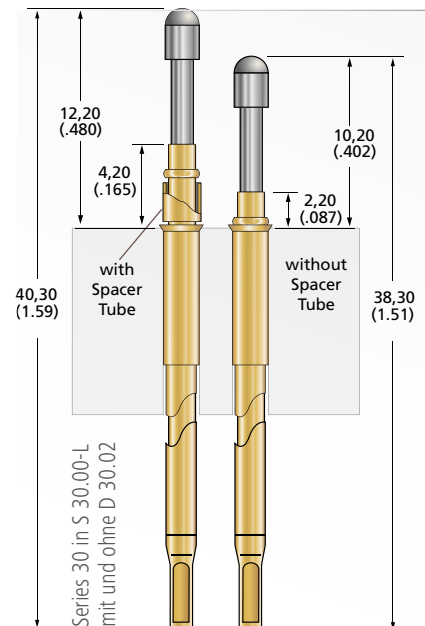
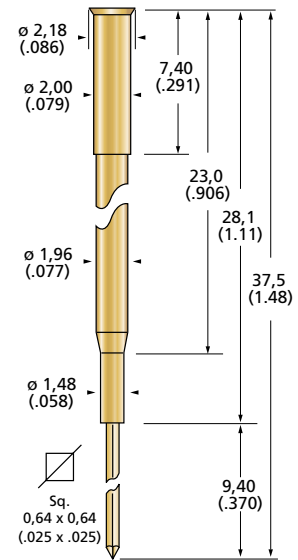
S 30.00-L

Solder Cup



S 30.00-W

Wire-Wrap-Post



FIXTURING EXAMPLE

ICT/FCT RECEPTACLES
SERIES 30 / 31 / 40 / 41 / 42 / 44 / 49

Pitch
 $\geq 2,54$ mm ≥ 100 mil

X-ON Electronics

Largest Supplier of Electrical and Electronic Components

Click to view similar products for [Contact Probes](#) category:

Click to view products by [FIXTEST](#) manufacturer:

Other Similar products are found below :

[CT5253](#) [CT5082](#) [100039-033-958](#) [100077-003-0-0](#) [300122-031-1102](#) [R-2-RP-375](#) [S-4-C-5-G S/C](#) [300122-056-0203](#) [SS-75-B-2.4-G](#) [ICT-100-J-17-G](#) [S-100-U-10-G-S](#) [SS-75-C-4.9-D D/C .620 OAL](#) [100165-033-952](#) [300106-000-1103](#) [100024-002-942](#) [SS-75-E-4.9-D D/C .620 OAL](#) [SX-0-U-2.2-G D/C](#) [101506-000](#) [101740-028-948](#) [ICT-100-V8-8-G S/C](#) [ICT-100-A-8-G S/C](#) [ICT-075-B-10-G-S S/C](#) [S-2-D-8.3-G D/C](#) [GSS-19-7-G S/C OAL](#) [ICT-100-T-8-G S/C](#) [GSS-4-7-G](#) [SS-40-J-2.4-G D/C](#) [S-0-A-2.2-D 660 S/C](#) [SS-50-J-3.3-D S/C](#) [S-0-V-3.7-G S/C](#) [SX-2-B-7-G D/C](#) [SX-1-U-6.6-G D/C](#) [SX-1-C-6.6-G D/C](#) [SS-75-D-4.9-D D/C .620 OAL](#) [SS-50-J-5.1-G S/C](#) [SS-50-E-2.9-G S/C](#) [SS-40-J-1.8-G-N/L D/C](#) [SS-3-7-G S/C W/HOLE .373 OAL](#) [SS-18-7-G S/C W/HOLE .405 OAL](#) [SS-10-7-G S/C W/HOLE .373 OAL](#) [SS-1-7-G S/C W/HOLE .385 OAL](#) [SHE-5-H-18.7-G](#) [SHE-5-B-18.7-G](#) [SHE-5-A-18.7-G](#) [SHE-3-A-7-G](#) [SH-4-A-10-G S/C](#) [101057-001-952](#) [S-50C-HS-4.3-DG-S](#) [S-5-F-8-G S/C SS SPGS](#) [S-5-F-16.4-G S/C](#)