

## Series 41

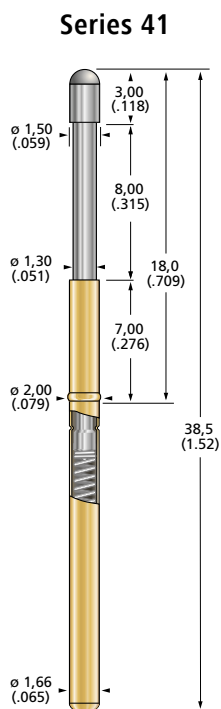
### Technical Data

Overall Length	38,50 mm
Minimum Centre Spacing	2,54 mm
Maximum Travel	8,00 mm
Working Travel	5,30 mm
Temperature Range from	-55°C
Up to	+120°C
Typical Resistance	20 mΩ
Current Load rated/max.	3,0 / 4,0 A

### Materials

Plunger	CuBe or steel, gold plated
Barrel	Nickel silver, gold plated
Spring	Music wire, silver plated

The series 41 has compared to the Series 40 a prolonged collar height of 7 mm. Use the receptacles of Series 30 shown on page 42.



### Spring Force (xx)

Preload	Rated Force	Code xx
0,3 N	0,8 N	08
0,9 N	1,5 N	15
1,0 N	2,2 N	22
1,2 N	3,0 N	30
2,0 N	5,0 N	50

	Ø 0,70	41.102.07.xx
	Ø 1,30	41.102.13.xx
	Ø 1,30	41.103.13.xx
	Ø 1,90	41.104.19.xx
	Ø 1,50	41.05.15.xx
	Ø 1,30	41.08.13.xx
	Ø 1,60	41.08.16.xx
	Ø 2,00	41.108.20.xx
	Ø 1,30	41.10.13.xx
	Ø 1,80	41.10.18.xx
	Ø 1,30	41.118.13.xx
	Ø 1,30	41.146.13.xx
	Ø 1,60	41.146.16.xx
	Ø 1,50	41.174.15.xx



For **XXLonglife-Nanocoating**  
order as **41X**

## Series 42

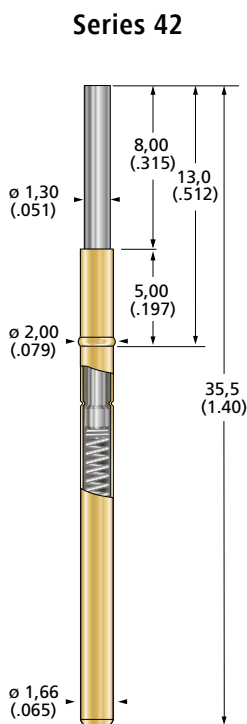
### Technical Data

Overall Length	35,50 mm
Minimum Centre Spacing	2,54 mm
Maximum Travel	8,00 mm
Working Travel	5,30 mm
Temperature Range from	-55°C
Up to	+120°C
Typical Resistance	20 mΩ
Current Load rated/max.	3,0 / 4,0 A

### Materials

Plunger	CuBe or steel, gold plated
Barrel	Nickel silver, gold plated
Spring	Music wire, silver plated

The plunger of the 42 series can be completely deflected flush with the barrel. Therefore we offer in this series only stem types without a head larger than the shaft. Receptacles of Series 30 shown on page 42.



### Spring Force (xx)

Preload	Rated Force	Code xx
0,9 N	1,5 N	15
1,2 N	3,0 N	30

	Ø 0,70	42.102.07.xx
	Ø 1,30	42.102.13.xx
	Ø 1,30	42.103.13.xx
	Ø 1,30	42.08.13.xx
	Ø 1,30	42.10.13.xx
	Ø 1,30	42.118.13.xx
	Ø 1,30	42.146.13.xx



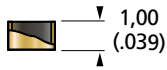
For **XXLonglife-Nanocoating**  
order as **42X**

# RECEPTACLES SERIES

## 30 / 31 / 40 / 41 / 42 / 44 / 49

### D 30.01

Spacer tube 1 mm



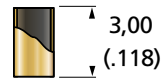
### D 30.02

Spacer tube 2 mm



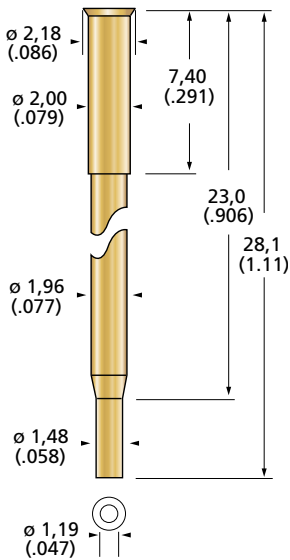
### D 30.03

Spacer tube 3 mm



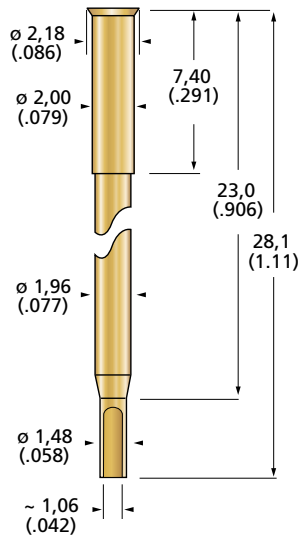
### S 30.00-C

Open Crimp End



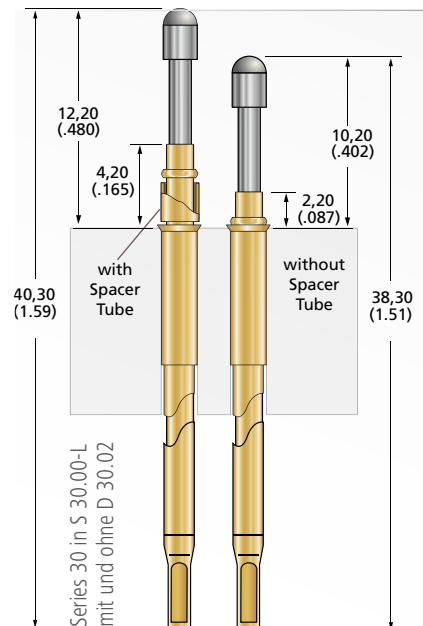
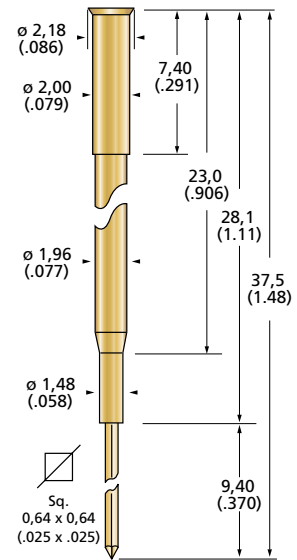
### S 30.00-L

Solder Cup



### S 30.00-W

Wire-Wrap-Post



FIXTURING EXAMPLE

ICT/FCT RECEPTACLES  
SERIES 30 / 31 / 40 / 41 / 42 / 44 / 49

Pitch  $\geq 2,54$  mm  $\geq 100$  mil

## X-ON Electronics

Largest Supplier of Electrical and Electronic Components

*Click to view similar products for [Contact Probes](#) category:*

*Click to view products by [FIXTEST](#) manufacturer:*

Other Similar products are found below :

[CT5253](#) [CT5082](#) [100039-033-958](#) [100077-003-0-0](#) [300122-031-1102](#) [R-2-RP-375](#) [S-4-C-5-G S/C](#) [300122-056-0203](#) [SS-75-B-2.4-G](#) [S-100-U-10-G-S](#) [SS-75-C-4.9-D D/C .620 OAL](#) [100165-033-952](#) [300106-000-1103](#) [100024-002-942](#) [SS-75-E-4.9-D D/C .620 OAL](#) [SX-0-U-2.2-G D/C](#) [101506-000](#) [101740-028-948](#) [ICT-100-V8-8-G S/C](#) [ICT-100-A-8-G S/C](#) [ICT-075-B-10-G-S S/C](#) [S-2-D-8.3-G D/C](#) [GSS-19-7-G S/C OAL](#) [ICT-100-T-8-G S/C](#) [GSS-4-7-G](#) [SS-40-J-2.4-G D/C](#) [S-0-A-2.2-D 660 S/C](#) [SS-50-J-3.3-D S/C](#) [S-0-V-3.7-G S/C](#) [SX-2-B-7-G D/C](#) [SX-1-U-6.6-G D/C](#) [SX-1-C-6.6-G D/C](#) [SS-75-D-4.9-D D/C .620 OAL](#) [SS-50-J-5.1-G S/C](#) [SS-50-E-2.9-G S/C](#) [SS-40-J-1.8-G-N/L D/C](#) [SS-3-7-G S/C W/HOLE .373 OAL](#) [SS-18-7-G S/C W/HOLE .405 OAL](#) [SS-10-7-G S/C W/HOLE .373 OAL](#) [SS-1-7-G S/C W/HOLE .385 OAL](#) [SHE-5-H-18.7-G](#) [SHE-5-B-18.7-G](#) [SHE-5-A-18.7-G](#) [SHE-3-A-7-G](#) [SH-4-A-10-G S/C](#) [101057-001-952](#) [S-50C-HS-4.3-DG-S](#) [S-5-F-8-G S/C SS](#) [SPGS](#) [S-5-F-16.4-G S/C](#) [S-4-K-5-G S/C](#)