

Spring Force (xx)

Preload	Rated Force	Code xx
0,9 N	1,5 N	15
1,2 N	3,0 N	30



Ø 1,00 **44.118.10.xx**

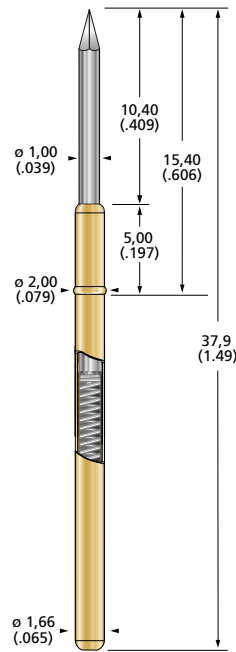


Ø 1,00 **44.46.10.xx**



**For XXLonglife-Nanocoating
order as 44X**

Series 44



Series 44

Technical Data

Overall Length	37,90 mm
Minimum Centre Spacing	2,54 mm
Maximum Travel	10,40 mm
Working Travel	7,00 mm
Temperature Range from	-55°C
Up to	+120°C
Typical Resistance	20 mΩ
Current Load rated/max.	3,0 / 4,0 A

Materials

Plunger	CuBe or steel, gold plated
Barrel	Nickel silver, gold plated
Spring	Music wire, silver plated

Like in series 42, the series 44 probe pistons 44 can be deflected flush with the barrel. Compared to the other metric types the plunger shaft has a diameter of 1mm instead of 1.3 mm. The Series 44 uses receptacles of Series 30 shown on page 42.

Spring Force (xx)

Preload	Rated Force	Code xx
0,3 N	0,8 N	08
0,9 N	1,5 N	15
1,0 N	2,2 N	22
1,2 N	3,0 N	30
2,0 N	5,0 N	50



Ø 0,70 **49.102.07.xx**



Ø 1,30 **49.102.13.xx**



Ø 1,30 **49.103.13.xx**



Ø 1,90 **49.104.19.xx**



Ø 1,50 **49.05.15.xx**



Ø 1,30 **49.08.13.xx**



Ø 1,60 **49.08.16.xx**



Ø 2,00 **49.108.20.xx**



Ø 1,30 **49.10.13.xx**



Ø 1,80 **49.10.18.xx**



Ø 1,30 **49.118.13.xx**



Ø 1,30 **49.146.13.xx**



Ø 1,60 **49.146.16.xx**

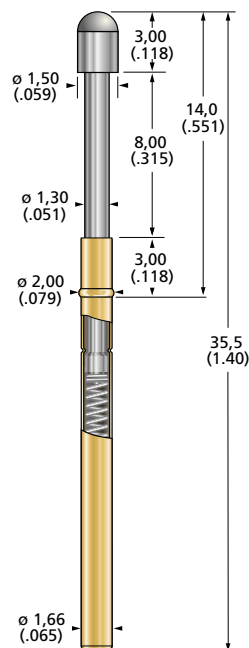


Ø 1,50 **49.174.15.xx**



**For XXLonglife-Nanocoating
order as 49X**

Series 49



Series 49

Technical Data

Overall Length	35,50 mm
Minimum Centre Spacing	2,54 mm
Maximum Travel	8,00 mm
Working Travel	5,30 mm
Temperature Range from	-55°C
Up to	+120°C
Typical Resistance	20 mΩ
Current Load rated/max.	3,0 / 4,0 A

Materials

Plunger	CuBe or steel, gold plated
Barrel	Nickel silver, gold plated
Spring	Music wire, silver plated

The Series 49 uses receptacles of Series 30 shown on page 42.

RECEPTACLES SERIES

30 / 31 / 40 / 41 / 42 / 44 / 49

D 30.01

Spacer tube 1 mm



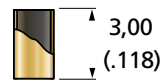
D 30.02

Spacer tube 2 mm



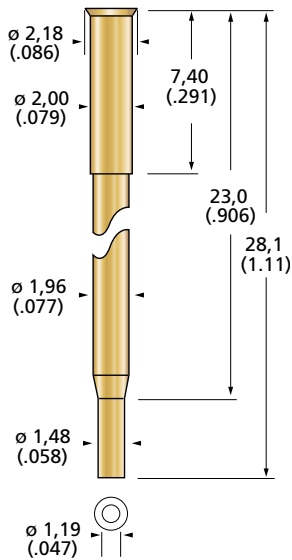
D 30.03

Spacer tube 3 mm



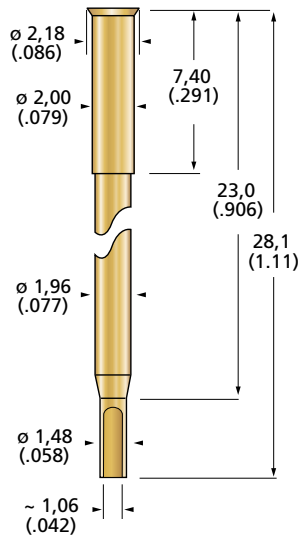
S 30.00-C

Open Crimp End



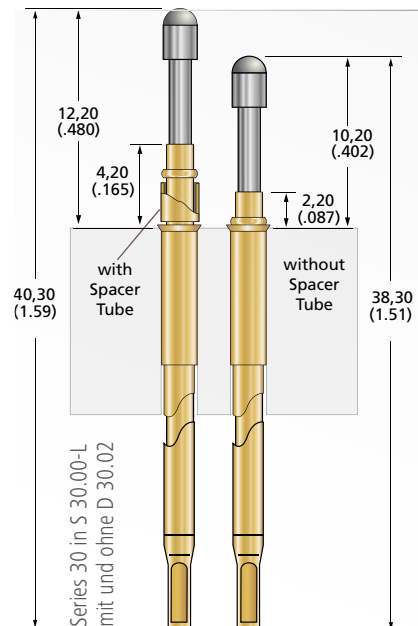
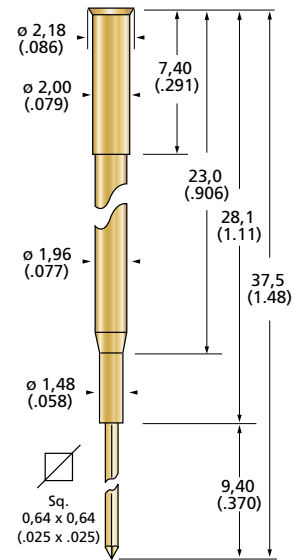
S 30.00-L

Solder Cup



S 30.00-W

Wire-Wrap-Post



FIXTURING EXAMPLE

ICT/FCT RECEPTACLES
SERIES 30 / 31 / 40 / 41 / 42 / 44 / 49

Pitch
≥ 2,54 mm ≥ 100 mil

X-ON Electronics

Largest Supplier of Electrical and Electronic Components

Click to view similar products for [Contact Probes](#) category:

Click to view products by [FIXTEST](#) manufacturer:

Other Similar products are found below :

[CT5253](#) [CT5082](#) [100039-033-958](#) [100077-003-0-0](#) [300122-031-1102](#) [R-2-RP-375](#) [S-4-C-5-G S/C](#) [300122-056-0203](#) [SS-75-B-2.4-G](#) [S-100-U-10-G-S](#) [SS-75-C-4.9-D D/C .620 OAL](#) [100165-033-952](#) [300106-000-1103](#) [100024-002-942](#) [SS-75-E-4.9-D D/C .620 OAL](#) [SX-0-U-2.2-G D/C](#) [101506-000](#) [101740-028-948](#) [ICT-100-V8-8-G S/C](#) [ICT-100-A-8-G S/C](#) [ICT-075-B-10-G-S S/C](#) [S-2-D-8.3-G D/C](#) [GSS-19-7-G S/C OAL](#) [ICT-100-T-8-G S/C](#) [GSS-4-7-G](#) [SS-40-J-2.4-G D/C](#) [S-0-A-2.2-D 660 S/C](#) [SS-50-J-3.3-D S/C](#) [S-0-V-3.7-G S/C](#) [SX-2-B-7-G D/C](#) [SX-1-U-6.6-G D/C](#) [SX-1-C-6.6-G D/C](#) [SS-75-D-4.9-D D/C .620 OAL](#) [SS-50-J-5.1-G S/C](#) [SS-50-E-2.9-G S/C](#) [SS-40-J-1.8-G-N/L D/C](#) [SS-3-7-G S/C W/HOLE .373 OAL](#) [SS-18-7-G S/C W/HOLE .405 OAL](#) [SS-10-7-G S/C W/HOLE .373 OAL](#) [SS-1-7-G S/C W/HOLE .385 OAL](#) [SHE-5-H-18.7-G](#) [SHE-5-B-18.7-G](#) [SHE-5-A-18.7-G](#) [SHE-3-A-7-G](#) [SH-4-A-10-G S/C](#) [101057-001-952](#) [S-50C-HS-4.3-DG-S](#) [S-5-F-8-G S/C SS](#) [SPGS](#) [S-5-F-16.4-G S/C](#) [S-4-K-5-G S/C](#)