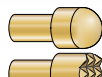


Spring Force (xx)

Preload	Rated Force	Code
		xx
1,0 N	1,5 N	15
1,2 N	3,0 N	30
3,0 N	5,0 N	50



Ø 3,30

60.05.33.xx



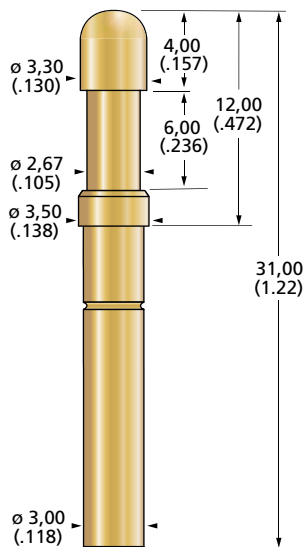
Ø 4,00

60.08.40.xx



For XXLonglife-Nanocoating order as 60X

Series 60



Series 60

Technical Data

Overall Length	31,00 mm
Minimum Centre Spacing	4,50 mm
Maximum Travel	6,00 mm
Working Travel	4,00 mm
Temperature Range from	-55°C
Up to	+120°C
Typical Resistance	20 mΩ
Current Load rated/max.	4,0 / 5,0 A

Materials

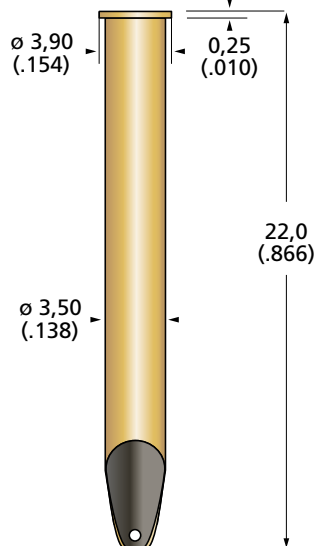
Plunger	CuBe hardened, gold plated
Barrel	Brass, gold plated
Spring	Music wire, silver plated

Similar as the series 51, shown on the page before, the series 60 is also available with a pass-through-plunger design named series 61.

We make that only on demand, so please contact us when you need that.

S 60.00-LO

Open end with solder tail



ICT / FCT
TEST PROBES

ICT/FCT TEST PROBES
SERIES 60

Max. Current Load
5,0 A

Overall Length
31,00 mm

Working Travel
4,00 /mm

Max. Travel
6,00 mm

Pitch
≥ 4,50 mm ≥ 177 mil



X-ON Electronics

Largest Supplier of Electrical and Electronic Components

Click to view similar products for [Contact Probes](#) category:

Click to view products by [FIXTEST](#) manufacturer:

Other Similar products are found below :

[CT5253](#) [S-4-C-5-G S/C](#) [SS-75-B-2.4-G](#) [ICT-100-J-17-G](#) [300106-000-1103](#) [ICT-100-A-8-G S/C](#) [ICT-075-B-10-G-S S/C](#) [S-2-D-8.3-G D/C](#)
[ICT-100-T-8-G S/C](#) [GSS-4-7-G](#) [S-0-B9-2.5-G S/C](#) [SS-40-J-2.4-G D/C](#) [S-0-V-3.7-G S/C](#) [SX-1-U-6.6-G D/C](#) [SS-50-J-5.1-G S/C](#) [SS-40-J-1.8-](#)
[G-N/L D/C](#) [SS-3-7-G S/C W/HOLE .373 OAL](#) [SS-10-7-G S/C W/HOLE .373 OAL](#) [SS-1-7-G S/C W/HOLE .385 OAL](#) [SHE-5-H-18.7-G](#)
[SHE-5-B-18.7-G](#) [SHE-3-A-7-G](#) [SH-4-A-10-G S/C](#) [101057-001-952](#) [S-50C-HS-4.3-DG-S](#) [S-5-F-8-G S/C SS SPGS](#) [S-5-F-16.4-G S/C](#) [S-4-K-](#)
[5-G S/C](#) [S-4-E-5-D S/C](#) [S-2-J-8.3-G D/C](#) [S-2-E-10-D D/C](#) [S-2-A-10-D D/C](#) [S-100-UR-5.5-G-S](#) [S-100-T-8-RT](#) [S-100-J-17-G](#) [S-100-HK-10-](#)
[G](#) [S-100-D-6.7-G](#) [S-100-B-3.5-G-S](#) [S-100-B-3.5-G](#) [S-1-U-6.6-D D/C .670 OAL](#) [S-1-A-6.6-D D/C .670 OAL](#) [S-075-S-3.8-RT](#) [S-075-J-3-G](#) [S-](#)
[075-B-3-G](#) [S-075-A-7-G](#) [S-00-U-1.6-G D/C SS SPG](#) [S-00-ES-2-G D/C](#) [S-0-U-3.7-D S/C](#) [RX-100-SC](#) [RH-100-WW-429](#)