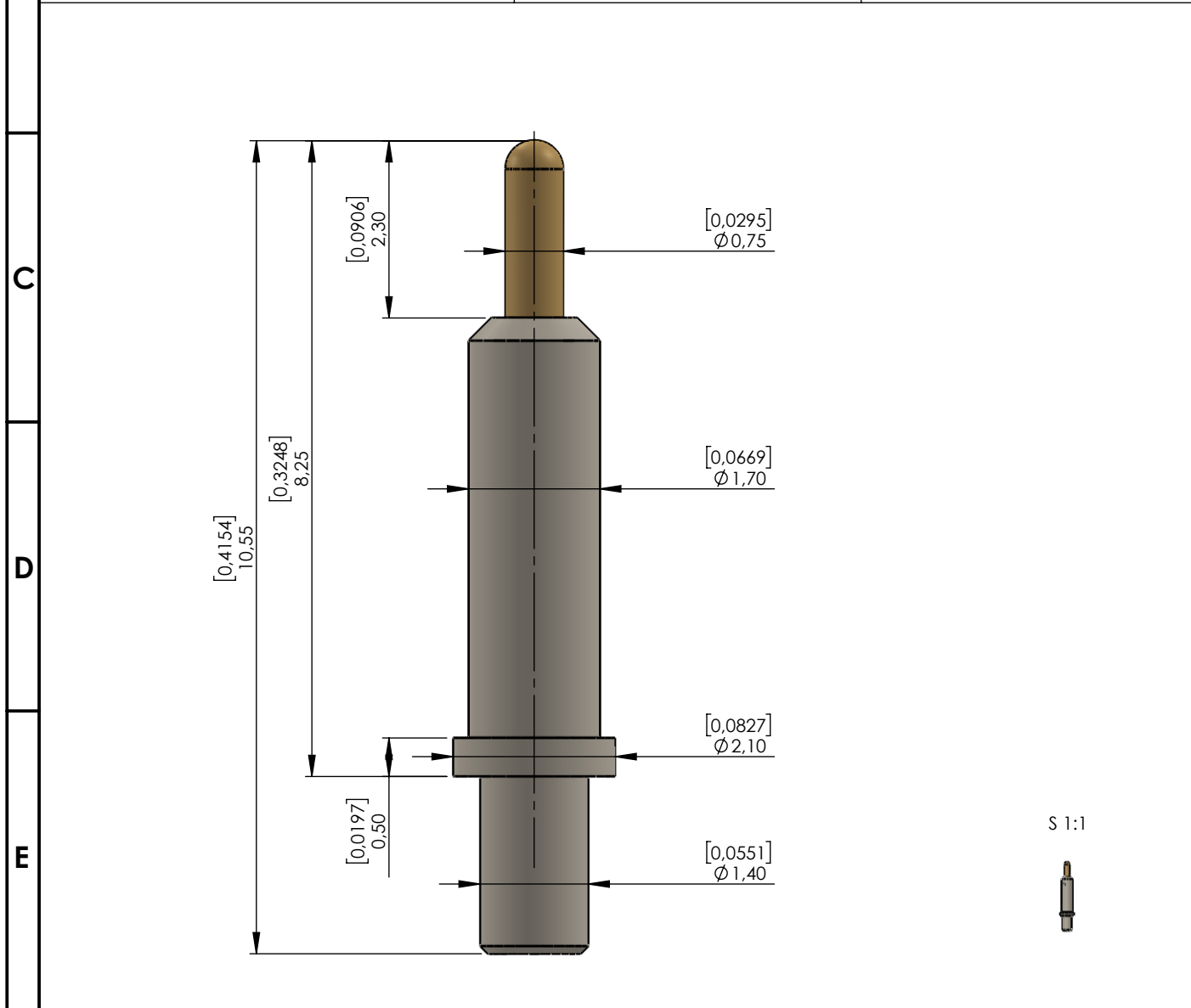

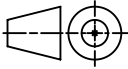


	1	2	3	4
<b>A</b>	<b>Technische Daten / Technical Data</b>			
	Empf. Mindestabstand / Rec. Center Spacing	2,30 mm		0,0906 inch
	Federkraft / Spring Force	0,8 N		0,8 N
	Vorspannung / Preload	-		-
	Maximaler Federweg / Max. Travel:	2,30 mm		0,0906 inch
	Empfohlener Kontakthub / Recomm. (rated) Travel:	1,50 mm		0,0591 inch
	Temperaturbereich / Temperature Range	-55°C ... +250°C		-67°F ... +482°F
	Typischer Widerstand / Typical Resistance	100 mOhm		100 mOhm
	Typischer Nennstrom / Rated Current Load	3 A		3 A
	E-Maß / Extension Height	8,25 mm		0,3251 inch
<b>B</b>	Typ. Federlebensdauer / Typ. Spring Life	1x10 <sup>5</sup> Lastwechsel		1x10 <sup>5</sup> load change
	<b>Werkstoffe / Materials</b>			
	Kolben / Plunger	CuBe, vergoldet		BeCu, gold plated
	Gehäusehülse / Barrel	Neusilber		Nickel silver
	Feder / Spring	Edelstahl, vergoldet		Stainless steel, gold plated



Unless otherwise defined Unit available in: <b>mm/inch</b>		<b>fixtest</b> 		<b>Technical data sheet</b> 	
Name	Date	Note revision:	Title: <b>Batteriekontakt Battery probe</b>		
Created by: PCh	19.08.2013		Drawing number: FK-441		
Checked by:			Material:	Scale: 12:1	Change 0
Approved by:			DIN A4	Page 1/1	
Rev_A					
Rev_B					
Rev_C					

## X-ON Electronics

Largest Supplier of Electrical and Electronic Components

*Click to view similar products for [Contact Probes](#) category:*

*Click to view products by [FIXTEST](#) manufacturer:*

Other Similar products are found below :

[CT5253](#) [CT5082](#) [100039-033-958](#) [100077-003-0-0](#) [300122-031-1102](#) [R-2-RP-375](#) [S-4-C-5-G S/C](#) [300122-056-0203](#) [SS-75-B-2.4-G](#) [S-100-U-10-G-S](#) [SS-75-C-4.9-D D/C .620 OAL](#) [100165-033-952](#) [300106-000-1103](#) [100024-002-942](#) [SS-75-E-4.9-D D/C .620 OAL](#) [SX-0-U-2.2-G D/C](#) [101506-000](#) [101740-028-948](#) [ICT-100-V8-8-G S/C](#) [ICT-100-A-8-G S/C](#) [ICT-075-B-10-G-S S/C](#) [S-2-D-8.3-G D/C](#) [GSS-19-7-G S/C OAL](#) [ICT-100-T-8-G S/C](#) [GSS-4-7-G](#) [SS-40-J-2.4-G D/C](#) [S-0-A-2.2-D 660 S/C](#) [SS-50-J-3.3-D S/C](#) [S-0-V-3.7-G S/C](#) [SX-2-B-7-G D/C](#) [SX-1-U-6.6-G D/C](#) [SX-1-C-6.6-G D/C](#) [SS-75-D-4.9-D D/C .620 OAL](#) [SS-50-J-5.1-G S/C](#) [SS-50-E-2.9-G S/C](#) [SS-40-J-1.8-G-N/L D/C](#) [SS-3-7-G S/C W/HOLE .373 OAL](#) [SS-18-7-G S/C W/HOLE .405 OAL](#) [SS-10-7-G S/C W/HOLE .373 OAL](#) [SS-1-7-G S/C W/HOLE .385 OAL](#) [SHE-5-H-18.7-G](#) [SHE-5-B-18.7-G](#) [SHE-5-A-18.7-G](#) [SHE-3-A-7-G](#) [SH-4-A-10-G S/C](#) [101057-001-952](#) [S-50C-HS-4.3-DG-S](#) [S-5-F-8-G S/C SS](#) [SPGS](#) [S-5-F-16.4-G S/C](#) [S-4-K-5-G S/C](#)