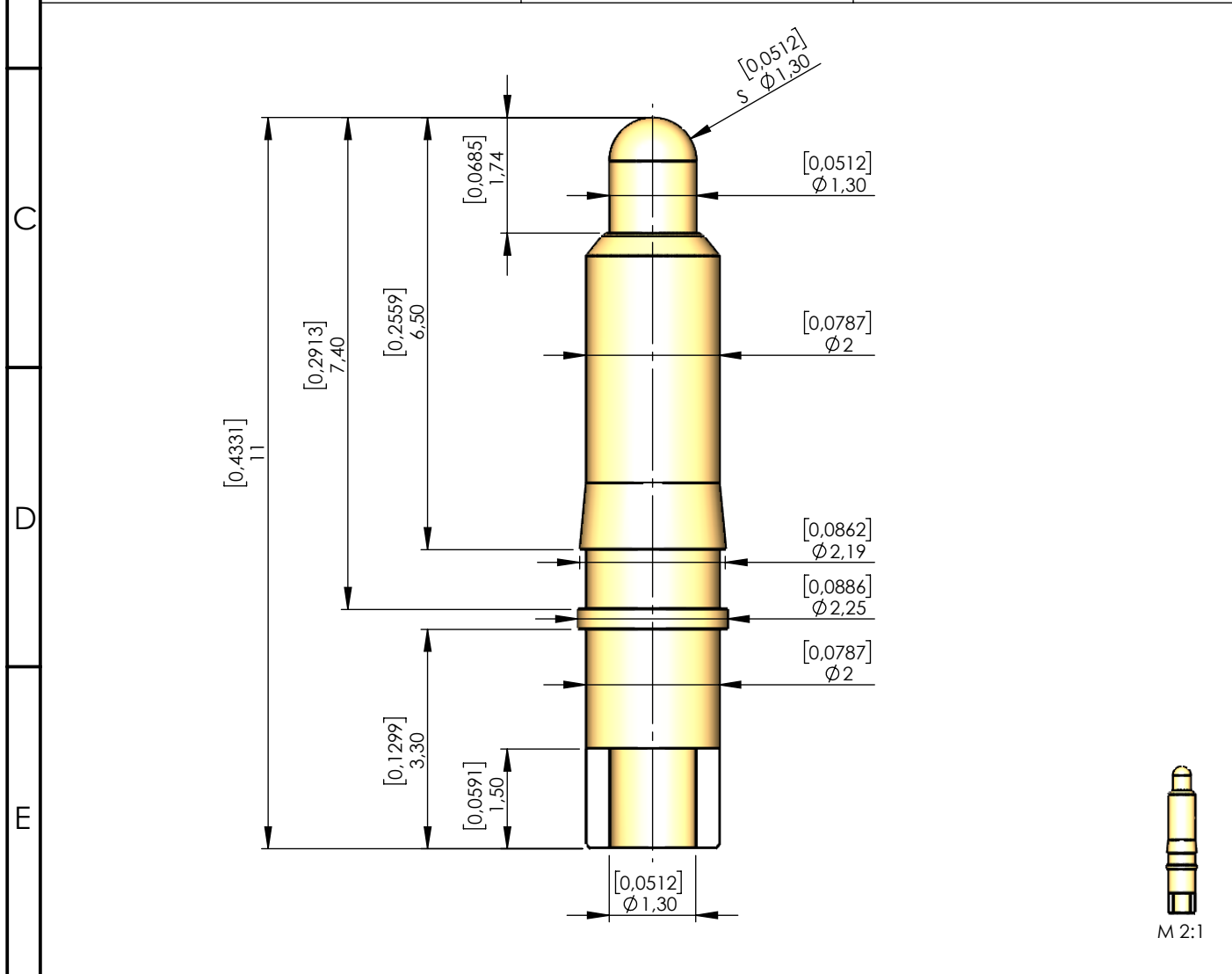

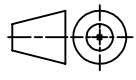


	1	2	3	4
Technische Daten / Technical Data :				
Empf. Mindestabstand / rec. center spacing		≥2,54 mm		0,1000 inch
Federkraft / Spring Force		1 N		1 N
Vorspannung / Preload		0,5 N		0,5 N
A Maximaler Federweg / Max. Travel		1,70 mm		0,0669 inch
Empfohlener Kontakthub / Recomm. (rated) Travel		1,00 mm		0,0393 inch
Temperaturbereich / Temperature Range		-55°C ... +250°C		-67°F ... +482°F
Typischer Widerstand / Typical Resistance		≤15 mΩ		≤15 mΩ
Typischer Nennstrom / Rated Current Load		5 A		5 A
E-Maß / Extension Height		6,50 mm		0,2559 inch
Typ. Federlebensdauer / Typ. Spring Life		1x 10 ⁵ Lastwechsel		1x 10 ⁵ load changes
Werkstoffe / Materials :				
Kolben / Plunger		Phosphorbronze, vergoldet		bronze, gold plated
B Gehäusehülse / Barrel		Messing, vergoldet		brass, gold plated
Feder / Spring		Edelstahl, unveredelt		stainless steel, not plated
Kugel / Ball		Edelstahl, unveredelt		stainless steel, not plated



Unless otherwise defined Unit available in: mm / inch				technical data sheet			
name		date		note revision:		title:	
created by PCh		21.02.2012				Batteriekontakt Battery probe	
checked by DBu		24.02.2020					
modified DBu		24.02.2020					
Rev_A						drawingnumber	
Rev_B						FK-691	
Rev_C						material:	
						scale: 10:1	
						change 0	
						DIN A4	
						page 3	

X-ON Electronics

Largest Supplier of Electrical and Electronic Components

Click to view similar products for [Contact Probes](#) category:

Click to view products by [FIXTEST](#) manufacturer:

Other Similar products are found below :

[CT5253](#) [CT5082](#) [100039-033-958](#) [100077-003-0-0](#) [300122-031-1102](#) [R-2-RP-375](#) [S-4-C-5-G S/C](#) [300122-056-0203](#) [SS-75-B-2.4-G](#) [S-100-U-10-G-S](#) [SS-75-C-4.9-D D/C .620 OAL](#) [100165-033-952](#) [300106-000-1103](#) [100024-002-942](#) [SS-75-E-4.9-D D/C .620 OAL](#) [SX-0-U-2.2-G D/C](#) [101506-000](#) [101740-028-948](#) [ICT-100-V8-8-G S/C](#) [ICT-100-A-8-G S/C](#) [ICT-075-B-10-G-S S/C](#) [S-2-D-8.3-G D/C](#) [GSS-19-7-G S/C OAL](#) [ICT-100-T-8-G S/C](#) [GSS-4-7-G](#) [SS-40-J-2.4-G D/C](#) [S-0-A-2.2-D 660 S/C](#) [SS-50-J-3.3-D S/C](#) [S-0-V-3.7-G S/C](#) [SX-2-B-7-G D/C](#) [SX-1-U-6.6-G D/C](#) [SX-1-C-6.6-G D/C](#) [SS-75-D-4.9-D D/C .620 OAL](#) [SS-50-J-5.1-G S/C](#) [SS-50-E-2.9-G S/C](#) [SS-40-J-1.8-G-N/L D/C](#) [SS-3-7-G S/C W/HOLE .373 OAL](#) [SS-18-7-G S/C W/HOLE .405 OAL](#) [SS-10-7-G S/C W/HOLE .373 OAL](#) [SS-1-7-G S/C W/HOLE .385 OAL](#) [SHE-5-H-18.7-G](#) [SHE-5-B-18.7-G](#) [SHE-5-A-18.7-G](#) [SHE-3-A-7-G](#) [SH-4-A-10-G S/C](#) [101057-001-952](#) [S-50C-HS-4.3-DG-S](#) [S-5-F-8-G S/C SS](#) [SPGS](#) [S-5-F-16.4-G S/C](#) [S-4-K-5-G S/C](#)