

## Fluke i3000s Flex AC Current Clamp

### Technical Data



The i3000s Flex is an ac current clamp utilizing the Rogowski principle. It can be used to measure currents up to 3000 A when used in conjunction with oscilloscopes, recorders or data loggers. The flexible and lightweight measuring head allows quick and easy installation in hard to reach areas.

#### Electrical specifications

**Current ranges:** 30 A, 300 A, 3000 A ac rms

**Output sensitivity (ac-coupled):** 100 mV, 10 mV, 1 mV per A

**Load impedance:** 100 k $\Omega$  minimum

**Accuracy (at +25 °C):**  $\pm 1\%$  of range (45 Hz to 65 Hz)

**Linearity (10 % to 100 % of range):**  $\pm 0.2\%$  of reading

**Noise:** 8 mV ac rms (30 A), 2 mV ac rms (300 A, 3000 A)

**Frequency range:** 10 Hz to 50 kHz (-3 dB)

**Phase error:**  $< \pm 1^\circ$  (45 Hz to 65 Hz),  $\pm 10^\circ$  (at 20 kHz)

**Position sensitivity (with cable > 25 mm from the coupling):**  $\pm 2\%$  of range

**External field (with cable > 200 mm from the head):**  $\pm 1\%$  of range

**Power supply:** 2 x AA MN 1500 LR6 alkaline, 400 hours, low battery indicator

**Temperature coefficient:**  $\pm 0.08\%$  of reading per °C

**Working voltage (see Safety Standards section):** 600 V ac rms or dc

#### General specifications

**Head cable length (double insulated):**

610 mm (24 in) i3000s Flex-24

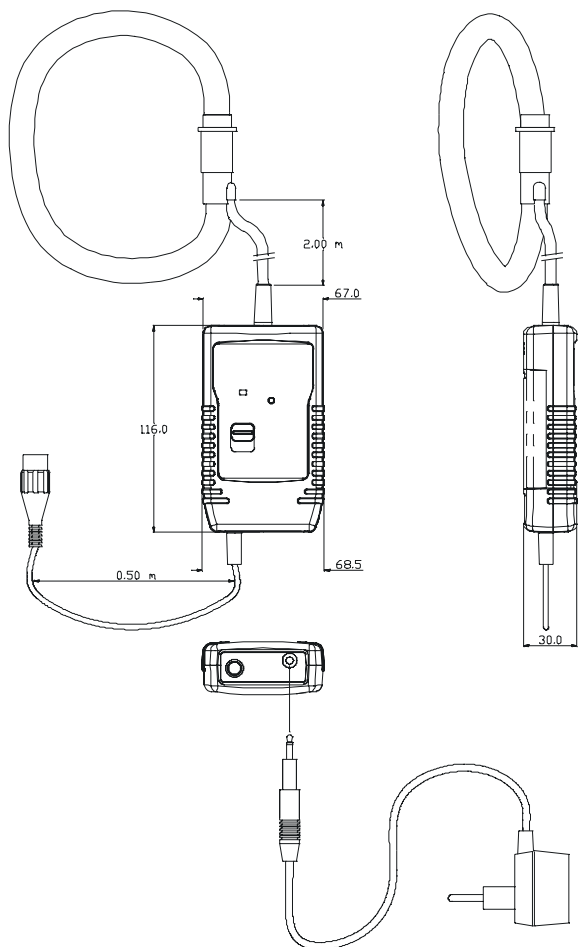
915 mm (36 in) i3000s Flex-36

**Head cable diameter:** 14.3 mm

**Head bend radius:** 38.1 mm

**Cable length (head to electronics):** 2 meters

**Output connection:** 0.5 m cable terminated with safety BNC connector. Supplied with BNC to Banana safety plug adapter.



**Operating temperature range:**

-20 °C to +90 °C (-4 °F to 190 °F) (head),  
 -20 °C to +85 °C (-4 °F to 185 °F) (electronics)

**Storage temperature range:**

-40 °C to +105 °C (-40 °F to 221 °F) (head),  
 -20 °C to +85 °C (-4 °F to 185 °F) (electronics)

**Operating humidity:** 15 % to 85 %  
 (non-condensing)

**Weight:** 180 g (0.396 lb) (head),  
 190 g (0.419 lb) (electronics)

**Safety standards**

BS EN 61010-1: 2001  
 BS EN 61010-2-032: 2002  
 BS EN 61010-031: 2002

600 Vrms, Category III, Pollution Degree 2

Use of the probe on uninsulated conductors is limited to 600 V acrms or dc and frequencies below 1 kHz.

**EMC Standards**

EN 61326: 1998 +A1, A2, & A3

**Ordering information**

i3000s FLEX-24 AC Current Probe, 24-inch circumference  
 i3000s FLEX-36 AC Current Probe, 36-inch circumference  
 i3000 FLEX-4PK, AC Current Probe, 4-pack of i3000s FLEX-24

**Optional Accessories**

FLEX PSU-EU Power supply unit for Europe  
 FLEX PSU-UK Power supply unit for the United Kingdom

Note: Power supply units only available for Europe and the United Kingdom.



i3000s Flex connected to a Fluke 434 Power Quality Analyzer (The i430 FLEX-4PK can be used with the Fluke 434 and 435, without the need for the control box).



i3000s Flex connected to a Fluke 199C ScopeMeter.

**Fluke.** *Keeping your world up and running.™*

**Fluke Corporation**  
 PO Box 9090, Everett, WA USA 98206

**Fluke Europe B.V.**  
 PO Box 1186, 5602 BD  
 Eindhoven, The Netherlands

**For more information call:**  
 In the U.S.A. (800) 443-5853 or  
 Fax (425) 446-5116  
 In Europe/M-East/Africa +31 (0) 40 2675 200 or  
 Fax +31 (0) 40 2675 222  
 In Canada (800) 36-FLUKE or  
 Fax (905) 890-6866  
 From other countries +1 (425) 446-5500 or  
 Fax +1 (425) 446-5116  
 Web access: <http://www.fluke.com>

©2006 Fluke Corporation. All rights reserved.  
 Specifications subject to change without notice.  
 Printed in U.S.A. 12/2006 2747103 D-EN-N Rev C

## X-ON Electronics

Largest Supplier of Electrical and Electronic Components

*Click to view similar products for [Test Accessories - Other](#) category:*

*Click to view products by [Fluke](#) manufacturer:*

Other Similar products are found below :

[AO1026](#) [AO1035](#) [AO1051](#) [AO1059](#) [149116](#) [149118](#) [RS40](#) [RS41](#) [AO1030](#) [AO1032](#) [AO1036](#) [AO1058](#) [4742](#) [KTS288540](#) [11-32-2733](#)  
[00415](#) [00163](#) [PACC-ZD005](#) [PACC-ZD007](#) [700M20TH](#) [628824000](#) [MPT-VF](#) [B3](#) [15010A0A0100M0](#) [B3](#) [15050A0D01A2M0](#) [B3](#)  
[15060A0D0100M0](#) [98-CAL020](#) [VDV500-705](#) [68-020-01P](#) [CPAK8](#) [RT-ZA19](#) [LCR-OPT-02](#) [1-1437358-1](#) [DME D110 T1](#) [LMLH 50](#)  
[FLUKE PM9082/001](#) [85392-12](#) [ST18/SMAM/SMAM/72](#) [HO720](#) [45025](#) [45028](#) [CT2300](#) [CC545](#) [VT-1000](#) [CT3041](#) [VS-AVT-CABLE-08](#)  
[6172A](#) [68-023-01](#) [67-023-01](#) [67-012-01](#) [15-3108](#)