

Specification

Small Form Factor Pluggable

Duplex LC Receptacle – XFP

Optical Transceivers

OC-192 / STM-64 / 10 Gigabit Ethernet



Ordering Information

TAS-XxUB5-FA6



Voltage / Temperature

1. 3.3V / +0°C ~ +70°C
2. 3.3V / -40°C ~ +85°C

Model Name	Voltage	Device type	Interface	LOS	Temperature	Distance
TAS-X1UB5-FA6	3.3V	1310 nm DFB	AC / AC Coupling	LVTTTL	0°C~+70°C	10km
TAS-X2UB5-FA6					-40°C~+85°C	

Features

- 10Gb/s serial optical transceiver in compliance with IEEE 802.3ae, ITU-T G709, and 10G FC.
- Uncooled 1310nm DFB transmitter and PIN photodiode receiver
- XFP Mechanical Interface with Bail Latch and Hot Pluggable
- XFI High Speed Electrical Interface
- 2-Wire Interface for Management and Digital Diagnostic Monitor
- Low Power Consumption <1.8W. Single +3.3V Power Supply
- Advanced Firmware Allow Customer System Encryption Information to Be Stored in Transceiver
- RoHS compliant
- No reference clock needed
- All-metal housing for superior EMI performance

Applications

- SONET (OC-192 SR-1) / SDH (STM I64.1)
- 10GBASE-LR/LW (10.3125Gbps)
- 10GBASE-LR/LW w/ FEC (11.3 Gbps)
- 10G FC (1200-SM-LL-L). 10G FC w/FEC
- 10GE Storage

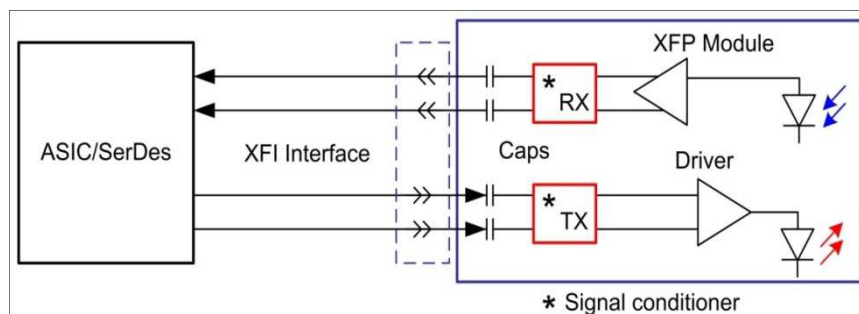


Figure1: Application in System

General Description

The **TAS-XxUB5-FA6** is a very compact 10Gb/s optical transceiver module for serial optical communication applications at 10Gb/s. The **TAS-XxUB5-FA6** converts a 10Gb/s serial electrical data stream to 10Gb/s optical output signal and a 10Gb/s optical input signal to 10Gb/s serial electrical data streams. The high speed 10Gb/s electrical interface is fully compliant with XFI specification and allows FR4 host PCB trace up to 200mm.

The **TAS-XxUB5-FA6** is designed for use in a variety of 10Gb/s SONET/SDH equipment including FEC (9.95Gb/s to 11.3Gb/s) and Ethernet LAN (10.3Gb/s) and WAN (9.95Gb/s) applications. The high performance uncooled 1310nm DFB-LD transmitter and high sensitivity PIN receiver provide superior performance for SONET /SDH and Ethernet applications at up to 10km links. The fully XFP compliant form factor provides hot pluggability, easy optical port upgrades and low EMI emission.

Functional Description

The **TAS-XxUB5-FA6** contains a duplex LC connector for the optical interface and a 30-pin connector for the electrical interface. Chart of section 3 shows the functional block diagram of **TAS-XxUB5-FA6** XFP Transceiver.

Transmitter Operation

The transceiver module receives 10Gb/s electrical data and transmits the data as an optical signal. The transmitter contains a Clock Data Recovery (CDR) circuit that reduces the jitter of received signal and reshapes the electrical signal before the electrical to optical (E-O) conversion. The optical output power is maintained constant by an automatic power control (APC) circuit. The transmitter output can be turned off by TX disable signal, at TX_DIS pin. When TX_DIS is asserted high, the transmitter is turned off.

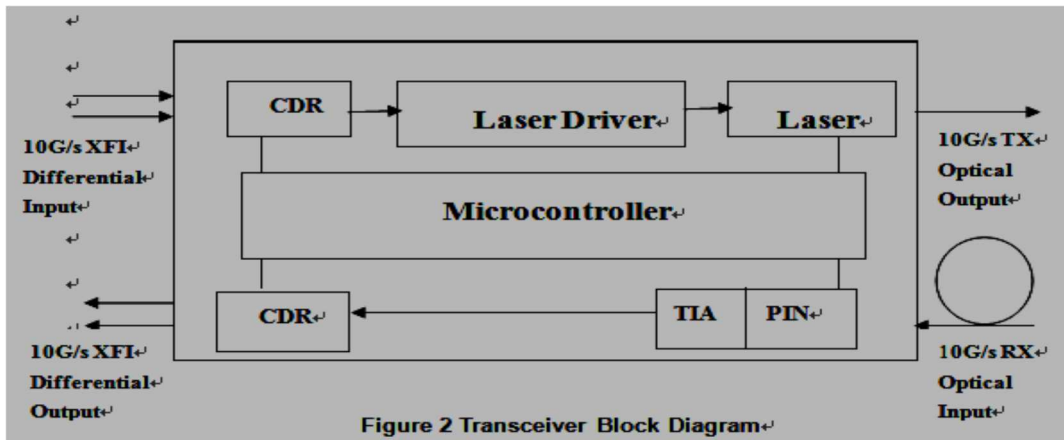
Receiver Operation

The received optical signal is converted to serial electrical data signal. The optical receiver contains a CDR circuits that reshapes and retimes an electrical signal before sending out to the XFI channel (i.e. XFP connector and high speed signal traces). The RX_LOS signal indicates insufficient optical power for reliable signal reception at the receiver.

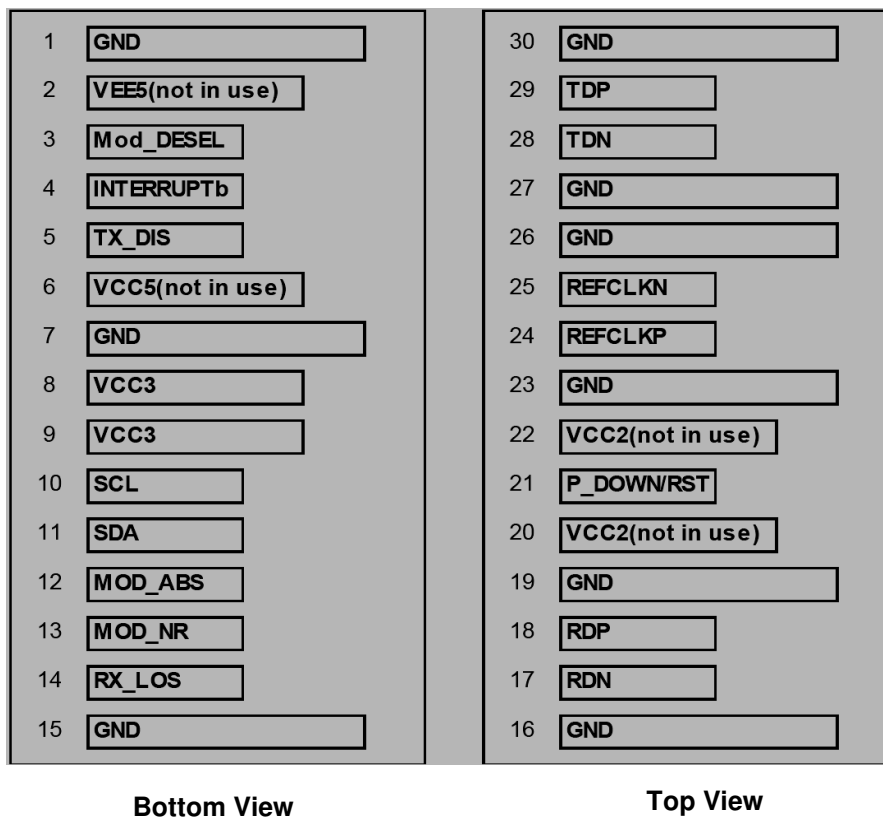
Management Interface

A 2-wire interface (SCL, SDA) is used for serial ID, digital diagnostics and other control/monitor functions. The address of XFP transceiver is 1010000x. MOD_DESEL signal can be used in order to support multiple XFP modules on the same 2-wire interface bus. Interface is compliant to XFP MSA.

Transceiver Block Diagram



Pin Definition and Descriptions



XFP Transceiver Electrical Pad Layout

Pin#	Name	Logic	Description	Note
1	GND		Module Ground	1
2	VEE5		-5.2V Power Supply , not in use	3
3	MOD_DESEL	LVTTTL-I	Module De-select; When held Low allows module to respond to 2-wire serial interface	
4	INTERRUPTb	LVTTTL-O	Indicates presence of an important condition, which can be read over the 2-wire serial interface. This pin is an open collector output and must be pulled up to host_Vcc on the host board.	2
5	TX_DIS	LVTTTL-I	Transmitter Disable; When asserted High, transmitter output is turned off. This pin is pulled up to VCC3 in the module	
6	VCC5		+5V Power Supply, not in use	3
7	GND		Module Ground	1
8	VCC3		+3.3V Power Supply	
9	VCC3		+3.3V Power Supply	
10	SCL	I/O	2-wire serial interface clock. Host shall resistor connected to host_Vcc of +3.3V.	2
11	SDA	I/O	2-wire serial interface data. Host shall use a pull-up resistor connected to host_Vcc of +3.3V.	2
12	MOD_ABS	LVTTTL-O	Indicates Module is not present. Host shall pull up this pin, and grounded in the module. "High" when the XFP module is absent from a host board.	2
13	MOD_NR	LVTTTL-O	Module not ready; When High, Indicates Module Operational Fault. This pin is an open collector and must be pulled to host_Vcc on the host board.	2,4,5
14	RX_LOS	LVTTTL-O	Receiver Loss of Signal; When high, indicates insufficient optical input power to the module. This pin is an open collector and must be pulled to host_Vcc on the host board.	2
15	GND		Module Ground	
16	GND		Module Ground	
17	RDN	CML-O	Receiver Inverted Data Output; AC coupled inside the module.	
18	RDP	CML-O	Receiver Non-Inverted Data Output; AC coupled in side the module.	
19	GND		Module Ground	1
20	VCC2		+1.8V Power Supply; not in use	3
21	P_DOWN/RST	LVTTTL-I	Power down; When High, module is limited power mode. Low for normal operation. Reset; The falling edge indicates complete reset of the module. This pin is pulled up to VCC3 in the module.	
22	VCC2		+1.8V Power Supply; not in use	3
23	GND		Module Ground	1
24	REFCLKP	PECL-I	Reference clock Non-Inverted Input; not in use	

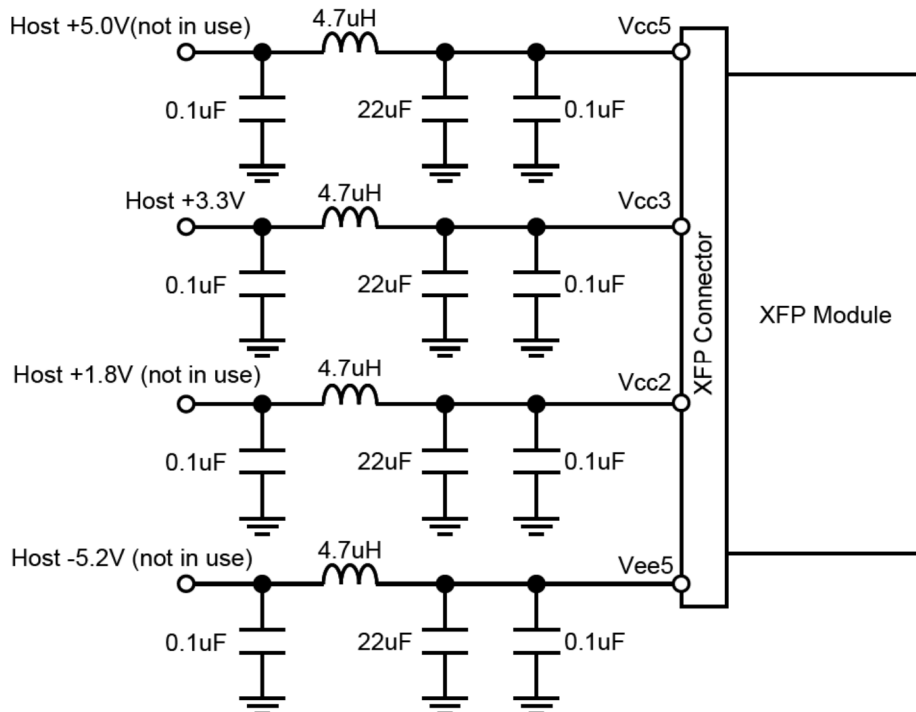
Pin#	Name	Logic	Description	Note
25	REFCLKN	PECL-I	Reference clock Inverted Input; not in use	
26	GND		Module Ground	1
27	GND		Module Ground	1
28	TDN	CML-I	Transmitter Inverted Data Input; AC coupled in side the module.	
29	TDP	CML-I	Transmitter Non-Inverted Data Input; AC coupled in side the module.	
30	GND		Module Ground	1

Table 1: XFP Module PIN Definition

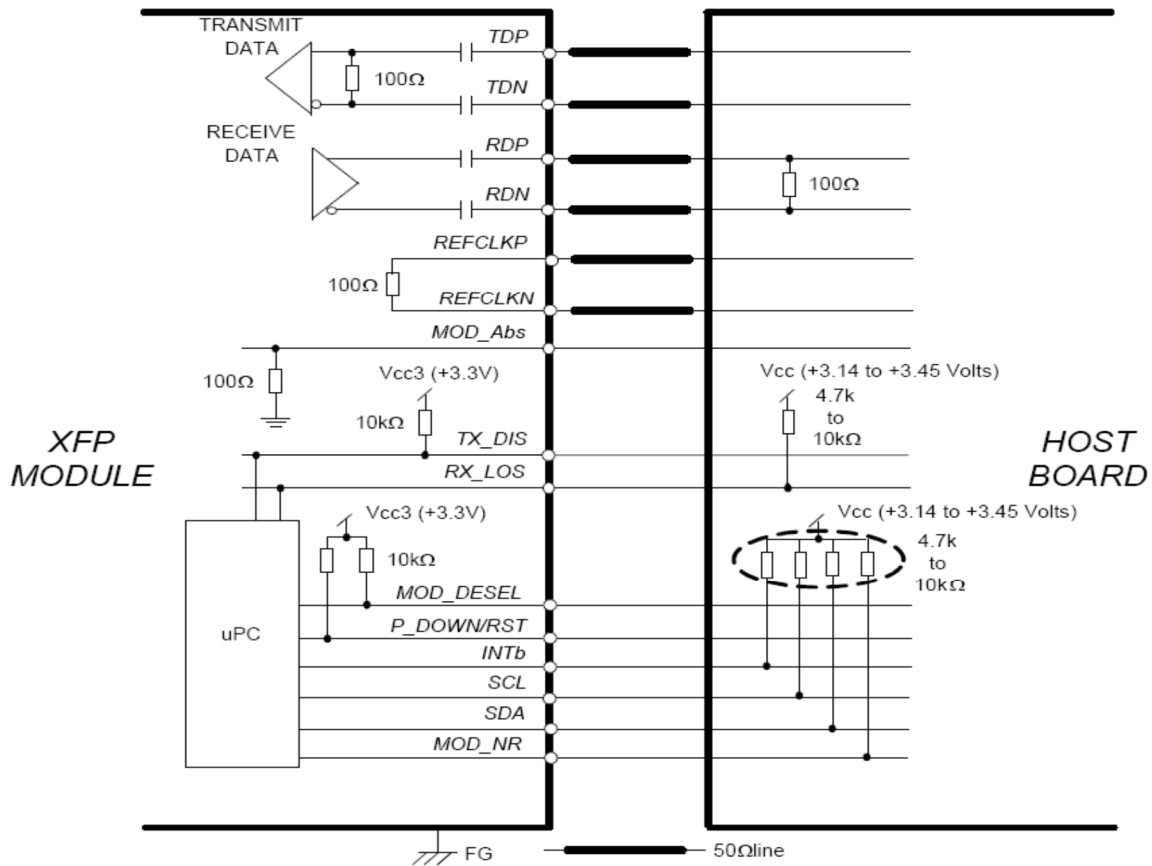
Note:

1. Module ground pins are isolated from the module case and chassis ground within the module.
2. Shall be pulled up with 4.7k to 10k ohm to a voltage between 3.15V and 3.45V on the host board.
3. Not connected internally.
4. Response time: typ. 20msec (XFP MSA Rev. $4.5 \leq 1$ msec)
5. MOD_NR = (TX LOL) OR (RX LOL).

Recommended Power Supply Filter



Recommended Electrical Interface to Host



Absolute Maximum Ratings

Parameter	Symbol	Min	Max	Unit	Note
Storage Temperature	Tst	-40	85	degC	
Relative Humidity (non-condensation)	RH	-	85	%	
Supply Voltage	VCC3	-0.5	3.6	V	
Voltage on LVTTTL Input	Vilvttl	-0.5	VCC3+0.5	V	
LVTTTL Output Current	Iolvttl	-	15	mA	
Voltage on Open Collector Output	Voco	0	6	V	
Receiver Input Optical Power(Average)	Mip	-	3	dBm	2

Note:

1. Ta: -10 to 60degC with 1.5m/s airflow with an additional heat sink.
2. Pin Receiver.

Recommended Operating Conditions And Supply Requirements

Parameter	Symbol	Min	Max	Unit
Operating Case Temperature	Topc	0	70	degC
Relative Humidity (non-condensing)	Rhop	-	85	%
Power Supply Voltage	VCC3	3.135	3.465	V
Power Supply Current	ICC3	-	500 (0-70°C)	mA
Total Power Consumption	Pd	-	1.8 (0-70°C)	W

Low Speed Control And Alarm Signals Electrical Interface

Parameter	Symbol	Min	Max	Units	Note
XFP Interrupt, Mod_NR, RX_LOS	Vol	0.0	0.4	V	1
	Voh	Vcc-0.5	Vcc+0.3		2
XFP TX_DIS, P_DOWN/RST	Vil	-0.3	0.8	V	3
	Vih	2.0	VCC3+0.3		4
XFP SCL and SDA Output	Vol	0.0	0.4	V	1
	Voh	Vcc-0.5	Vcc+0.3		2
XFP SCL and SDA Input	Vil	-0.3	VCC3*0.3	V	5
	Vih	VCC3*0.7	VCC3+0.5		6
Capacitance for XFP SCL and SDA I/O pin	Ci	-	14	pF	
Total bus capacitive load for SCL and SDA	Cb	-	100	pF	7
			400	pF	8

Note:

1. Pull-up resistor must be connected to host_Vcc on the host board. Iol(max)=3mA
2. Pull-up resistor must be connected to host_Vcc on the host board.
3. Pull-up resistor connected to VCC3 within XFP module. Iil(max)= -10µA.
4. Pull-up resistor connected to VCC3 within XFP module. Iih(max)= 10µA.
5. Pull-up resistor must be connected to host_Vcc on the host board. Iol(max)= -10µA.
6. Pull-up resistor must be connected to host_Vcc on the host board. Iol(max)= 10µA.
7. At 400KHz, 3.0kohms, at 100kHz 8.0kohms pull-up resistor max.
8. At 400KHz, 0.8kohms, at 100kHz 2.0kohms pull-up resistor max.

Optical Characteristics

Transmitter Optical Interface							
Parameter	Symbol	Min	Typical	Max	Unit	Note	
Operating Data Rate	-	9.95		11.30	Gb/s	1	
Output Center Wavelength	l _{tc}	1290	1310	1330	nm		
Spectral Width	dl	-		1	nm		
SMSR	SMSR	30		-	dB		
Average Output Power	P _o	-6		-1	dBm	2	
Disabled Power	P _{off}	-		-30	dBm	2	
Extinction Ratio	ER	3.5		-	dB	2	
Minimum OMA-TDP (10G Ethernet)	OMAt _{dp}	-5.2		-	dBm	3	
Eye Mask 1 (SONET/SDH)		GR-253-CORE/ITU-T G.691					2
Eye Mask 2 (10G Ethernet)		IEEE802.3ae					3
Generation Jitter 1 (20kHz - 80MHz)		-		0.15	Ulp-p	2,4	
Generation Jitter 2 (4MHz - 80MHz)		-		0.1	Ulp-p	2,4	
RIN	RIN	-		-128	dB/Hz		
Optical Path							
Parameter	Symbol	Min	Typical	Max	Unit	Note	
Chromatic Dispersion (SONET/SDH)	CD	-		6.6	ps/nm		
Operating Distance (10G Ethernet)		-		10	km		
Attenuation (SONET/SDH)		0		4	dB		
Channel Insertion Loss (10G Ethernet)		0		6	dB		
Maximum DGD (SONET/SDH)	DGD	-		30	ps		
Receiver Optical Interface							
Parameter	Symbol	Min	Typical	Max	Unit	Note	
Operating Data Rate	-	9.95		11.30	Gb/s	1	
Input Center Wavelength	l _{rc}	1260		1565	nm		
Overload	R _{ovl}	0.5		-	dBm		
Minimum Sensitivity	P _{min}	-		-14.6	dBm	2	
Sensitivity in OMA	OMA ₀	-		-12.6	dBm	3	
Stressed Sensitivity in OMA	OMA _{st}	-		-10.3	dBm	3	
RX_LOS Assert Level	RLOS _a	-29			dBm		
RX_LOS Deassert Level	RLOS _d			-15	dBm		
RX_LOS Hysteresis	RLOS _h	0.5		5	dB		
Optical Path Penalty	PN	-		1	dB	1	
Optical Return Loss	ORL	14		-	dB		
Jitter Tolerance	JTL	GR-253-CORE/ITU-T G.783					

Note:

1. Data rate tolerance -10GBASE-LR/LW: typ.+/-100ppm
2. Measured at 10.3125Gbps,Non-framed PRBS2^31-1,NRZ
3. Measured by using FormericaOE XFP evaluation board.

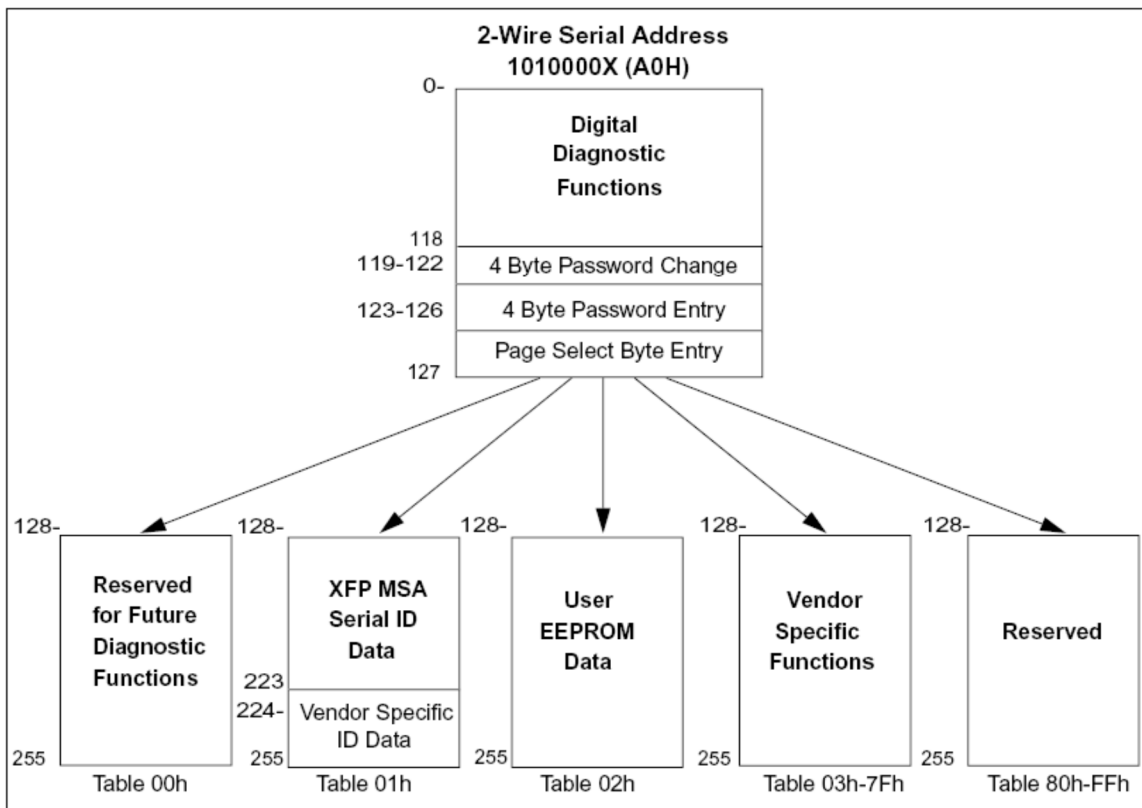
Digital Diagnostic Functions

The following digital diagnostic characteristics are defined over the Recommended Operating Environment unless otherwise specified. It is compliant to SFF8472 Rev9.2 with internal calibration mode. For external calibration mode please contact our sales staff.

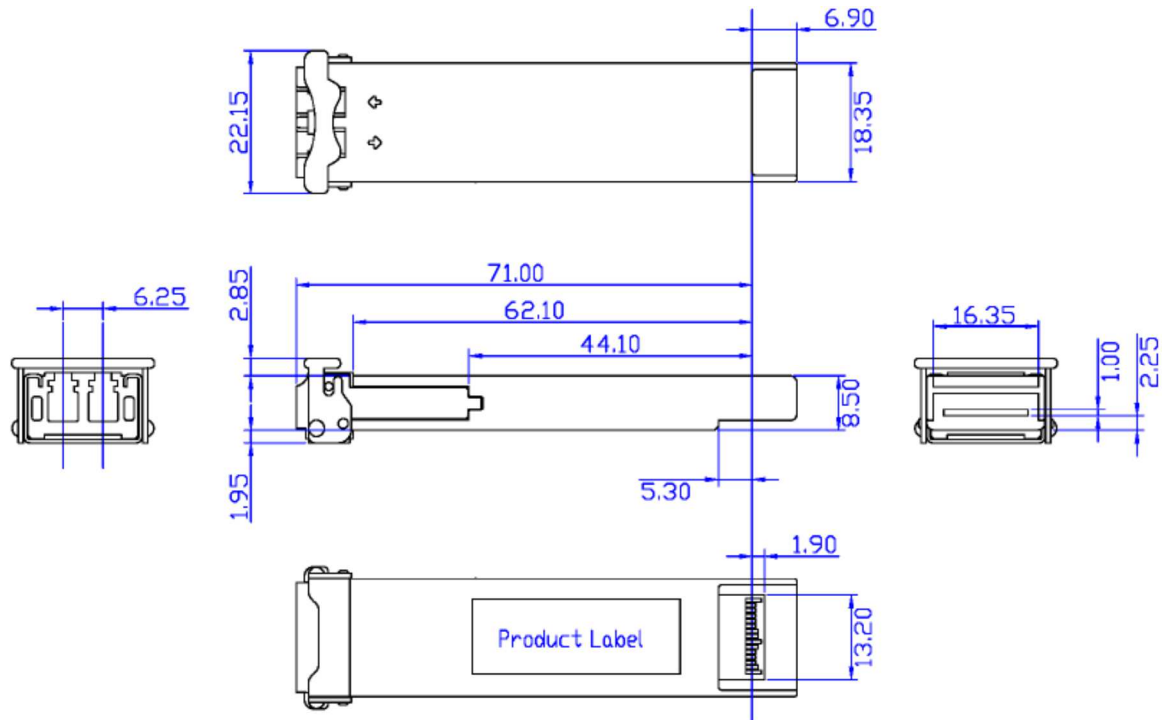
Parameter	Symbol	Min.	Max	Unit	Notes
Temperature monitor absolute error	DMI_Temp	-3	3	degC	Over operating temp
Laser power monitor absolute error	DMI_TX	-3	3	dB	
RX power monitor absolute error	DMI_RX	-3	3	dB	-1dBm to -15dBm range
Supply voltage monitor absolute error	DMI_VCC	-0.08	0.08	V	Full operating range
Bias current monitor	DMI_Ibias	-10%	10%	mA	

Table 2: Digital diagnostic specification table

MSA Compliant EEPROM Structure



Mechanical Dimensions



ESD

This transceiver is specified as ESD threshold 2kV for all electrical input pins, tested per MIL-STD-883, Method 3015.4 /JESD22-A114-A (HBM). However, normal ESD precautions are still required during the handling of this module. This transceiver is shipped in ESD protective packaging. It should be removed from the packaging and handled only in an ESD protected environment.

LASER Safety

This is a Class 1 Laser Product according to [IEC/EN60825-1:2014 \(Third Edition\)](#). This product complies with 21 CFR 1040.10 and 1040.11 except for deviations pursuant to Laser Notice No. 50, dated [June 24, 2007](#)

Revision History

Date	Version	Description
03/13/2018	2.2	Fix product number from TAS-X1UB1-F11 to TAS-XxUB5-FA6. Fix specification of Extinction Ratio.

X-ON Electronics

Largest Supplier of Electrical and Electronic Components

Click to view similar products for [Fibre Optic Transmitters, Receivers, Transceivers](#) *category:*

Click to view products by [Formerica Optoelectronics](#) *manufacturer:*

Other Similar products are found below :

[STV.2413-574-00262](#) [TRPRG1VA1C000E2G](#) [TOTX1350\(V,F\)](#) [FTLX3813M349](#) [SCN-1428SC](#) [LTK-ST11MB](#) [HFD8003-002/XBA](#)
[HFD3020-500-ABA](#) [FTLF1429P3BCVA](#) [S6846](#) [SCN-2638SC](#) [FTLC9555FEPM](#) [TQS-QG4H9-J83](#) [SCN-1570SC](#) [SCN-1601SC](#) [SCN-](#)
[1338SC](#) [SFPPT-SR3-01](#) [HFD8003-500-XBA](#) [SCN-1383SC](#) [2333569-1](#) [LNK-ST11HB-R6](#) [FTL4C1QL3L](#) [FTL4C1QE3L](#) [FTL4C1QL3C](#)
[SPTSHP3PMCDF](#) [SPTSBP4LLCDF](#) [SPTMBP1PMCDF](#) [SPTSHP2PMCDF](#) [SF-NLNAMB0001](#) [SPTSLLP2SLCDF](#) [SPTSQP4LLCDF](#)
[1019682](#) [1019683](#) [1019705](#) [HFBR-1415Z](#) [AFBR-5803ATQZ](#) [AFBR-5803ATZ](#) [PLR135/T9](#) [TGW-Q14BB-FCQ](#) [AFBR-5803AZ](#) [TQS-](#)
[Q1LH8-XCA03](#) [TQS-Q1LH8-XCA05](#) [TQS-Q1LH8-XCA10](#) [TQS-Q1LH9-2CA](#) [HFBR-1414Z](#) [HFBR-1527Z](#) [HFBR-1528Z](#) [HFBR-2406Z](#)
[HFBR-2505AZ](#) [HFBR-2532Z](#)