

Specification

1X9 Form Factor

Duplex SC Receptacle – DSC

Optical Transceivers

STM-1 / OC-3 / 100BASE
 155.52Mbit/s



Ordering Information

T S P - D x A A 2 - H 2 1

Voltage / Temperature

1 : 3.3V / +0°C ~ +70°C

2 : 3.3V / -40°C ~ +85°C

Model Name	Voltage	Category	Device type	Interface	SD/LOS	Temperature	Distance
TSP-D1AA2-H21	3.3 V	W/O DDMI	FP / PIN	DC / DC Coupling	LVPECL	+0°C ~ +70°C	30km
TSP-D2AA2-H21						-40°C ~ +85°C	

Features

- ROHS Compliant
- Standard 1X9 Form Factor
- SONET/SDH Standard Compliant
- Fast Ethernet Standard Compliant
- Laser Class 1 Product – IEC60825-1 Compliant
- Standard Duplex SC Receptacle Optical Interface
- Single + 3.3 V Power Supply
- Differential LVPECL Data Input and Output
- LVPECL Signal Detect
- Low Power Consumption

Absolute Maximum Ratings

Parameter	Symbol	Min	Typ	Max	Unit
Storage temperature	T _s	-40	-	85	°C
Supply voltage	V _{CC}	0	-	4	V
Operating Relative Humidity	-	5	-	95	%
Input voltage	V _{IN}	0	-	V _{CC}	V

Operating Conditions

Parameter	Symbol	Min	Typ	Max	Unit
Supply Voltage	V _{CC}	3.1	3.3	3.5	V
Operating Case temperature (TSP-D1AA2-H21)	T _c	0	-	70	°C
Operating Case temperature (TSP-D2AA2-H21)		-40	-	85	
Total Current (Transmitter + Receiver)	I _{CC}	-	-	250	mA
Hand Lead Soldering Temperature / Time	Th	-	-	260/10	°C /sec
Wave Lead Soldering Temperature / Time	Tw	-	-	260/10	°C /sec

Transmitter Specifications ($V_{CC}=3.1V\sim 3.5V$; $T_C= 0^{\circ}C\sim 70^{\circ}C$ / $T_C= -40^{\circ}C\sim 85^{\circ}C$)

Parameter	Symbol	Min	Typ	Max	Unit
Optical Characteristics					
Output Optical Power	P_{out}	-9	--	-3	dBm
Extinction Ratio	ER	9	--	--	dB
Center Wavelength	λ_C	1270	1310	1355	nm
Spectral Width (RMS)	σ	--	--	3	nm
Rise/Fall time (10-90%)	$T_{r,f}$	--	--	2	ns
Relative Intensity Noise	RIN	--	--	-120	dB/Hz
Output Eye	Compliant with ITU-T G.957				
Electrical Characteristics					
Transmitter Data Input Voltage - High	$V_{IH} - V_{CC}$	-1.1	--	-0.74	V
Transmitter Data Input Voltage - Low	$V_{IL} - V_{CC}$	-2.0		-1.58	V

Receiver Specifications ($V_{CC}=3.1V\sim 3.5V$; $T_C= 0^{\circ}C\sim 70^{\circ}C$ / $T_C= -40^{\circ}C\sim 85^{\circ}C$)

Parameter	Symbol	Min	Typ	Max	Unit
Optical Characteristics					
Optical Input Power-maximum	P_{SATIN}	-3	--	--	dBm
Receiver Sensitivity (PRBS= $2^{23}-1$; $BER \leq 10^{-10}$)	P_{SAN}	--	--	-34	dBm
Operating Center Wavelength	λ_C	1260		1610	nm
Signal Detect – Asserted	P_{SA}	--	--	-34	dBm
Signal Detect – De-asserted	P_{SD}	-45	--	--	dBm
Signal Detect – Hysteresis	P_{SH}	0.5		6	dB
Electrical Characteristics					
Differential Output Voltage	V_{DIFF}	0.4	--	2.0	V
Signal Detect Output Voltage - High	$V_{OH} - V_{CC}$	-1.1	--	-0.74	V
Signal Detect Output Voltage - Low	$V_{OL} - V_{CC}$	-2.0		-1.58	V

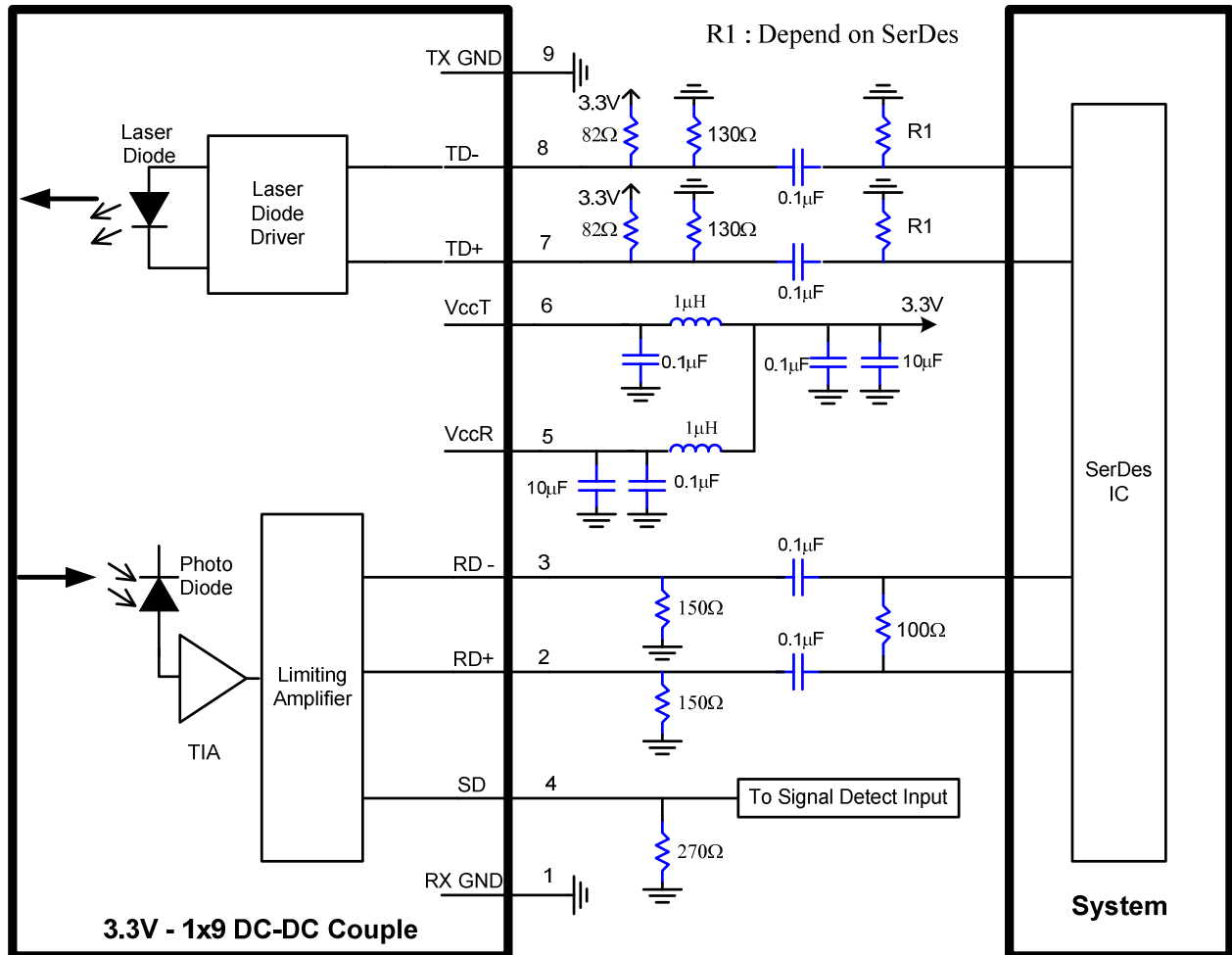
Pin Definition and Descriptions

9. TX GND _r	
8. TD+	N/C
7. TD-	
6. V _{CCT}	
5. V _{CCR}	
4. SD	
3. RD-	
2. RD+	N/C
1. RX GND	

Bottom VIEW

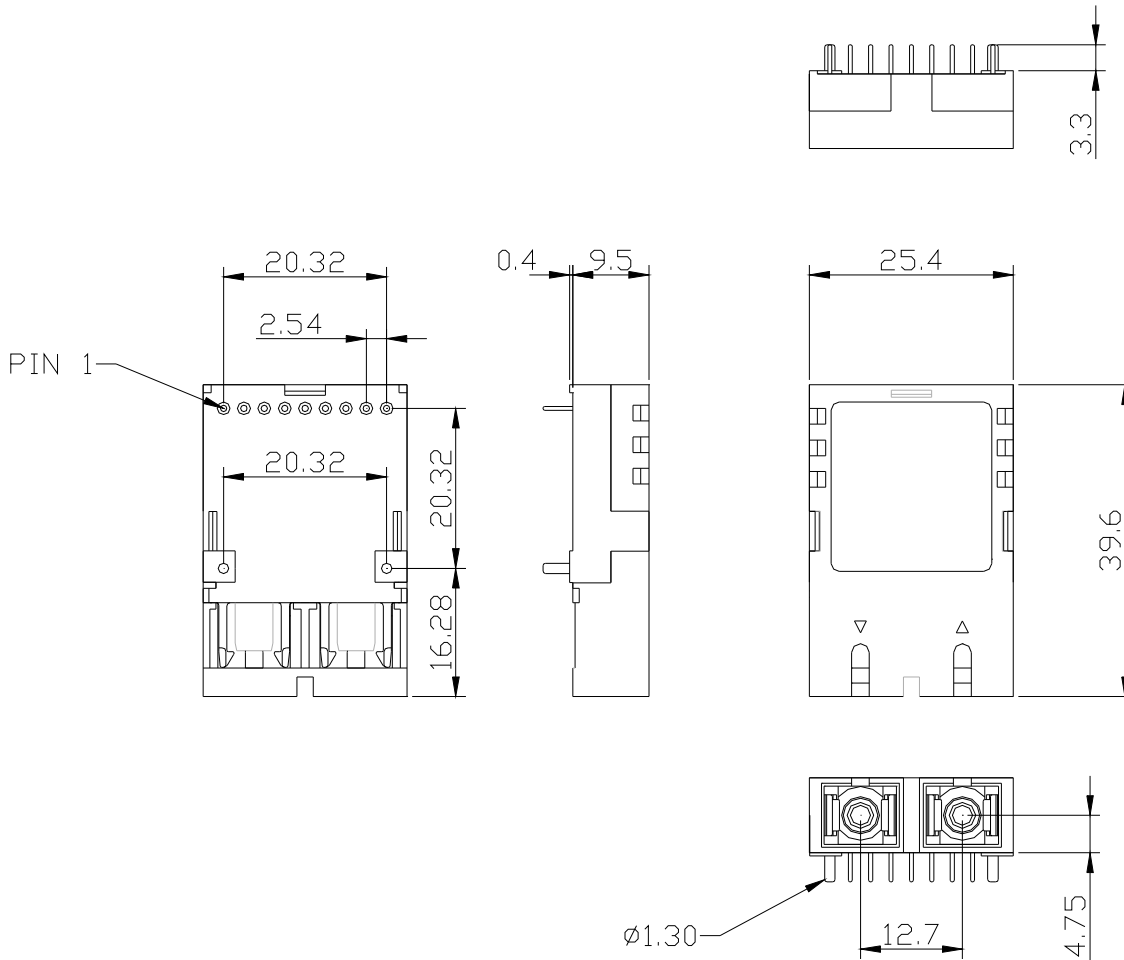
Pin	Name	Description
1	RX GND	Receiver Signal Ground
2	RD+	Receiver Data Out
3	RD-	Receiver Data Out Bar
4	SD	Signal Detect
5	V _{CCR}	Receiver Power Supply
6	V _{CCT}	Transmitter Power Supply
7	TD-	Transmitter Data In Bar
8	TD+	Transmitter Data In
9	TX GND	Transmitter Signal Ground

Recommended Circuit Diagram



Mechanical Outlines

(Unit : mm)



X-ON Electronics

Largest Supplier of Electrical and Electronic Components

Click to view similar products for [Fibre Optic Transmitters, Receivers, Transceivers](#) *category:*

Click to view products by [Formerica Optoelectronics](#) *manufacturer:*

Other Similar products are found below :

[STV.2413-574-00262](#) [TRPRG1VA1C000E2G](#) [TOTX1350\(V,F\)](#) [FTLX3813M349](#) [SCN-1428SC](#) [LTK-ST11MB](#) [HFD8003-002/XBA](#)
[HFD3020-500-ABA](#) [FTLF1429P3BCVA](#) [S6846](#) [SCN-2638SC](#) [FTLC9555FEPM](#) [TQS-QG4H9-J83](#) [SCN-1570SC](#) [SCN-1601SC](#) [SCN-](#)
[1338SC](#) [SFPPT-SR3-01](#) [HFD8003-500-XBA](#) [SCN-1383SC](#) [2333569-1](#) [LNK-ST11HB-R6](#) [FTL4C1QL3L](#) [FTL4C1QE3L](#) [FTL4C1QL3C](#)
[SPTSHP3PMCDF](#) [SPTSBP4LLCDF](#) [SPTMBP1PMCDF](#) [SPTSHP2PMCDF](#) [SF-NLNAMB0001](#) [SPTSHP2SLCDF](#) [SPTSQP4LLCDF](#)
[1019682](#) [1019683](#) [1019705](#) [HFBR-1415Z](#) [AFBR-5803ATQZ](#) [AFBR-5803ATZ](#) [PLR135/T9](#) [TGW-Q14BB-FCQ](#) [TQS-Q1LH8-XCA03](#) [TQS-](#)
[Q1LH8-XCA05](#) [TQS-Q1LH8-XCA10](#) [TQS-Q1LH9-2CA](#) [HFBR-1414Z](#) [HFBR-1527Z](#) [HFBR-1528Z](#) [HFBR-2406Z](#) [HFBR-2505AZ](#) [HFBR-](#)
[2532Z](#) [HFBR-1532Z](#)