

Three Phase Sensorless BLDC Motor Controller

Description

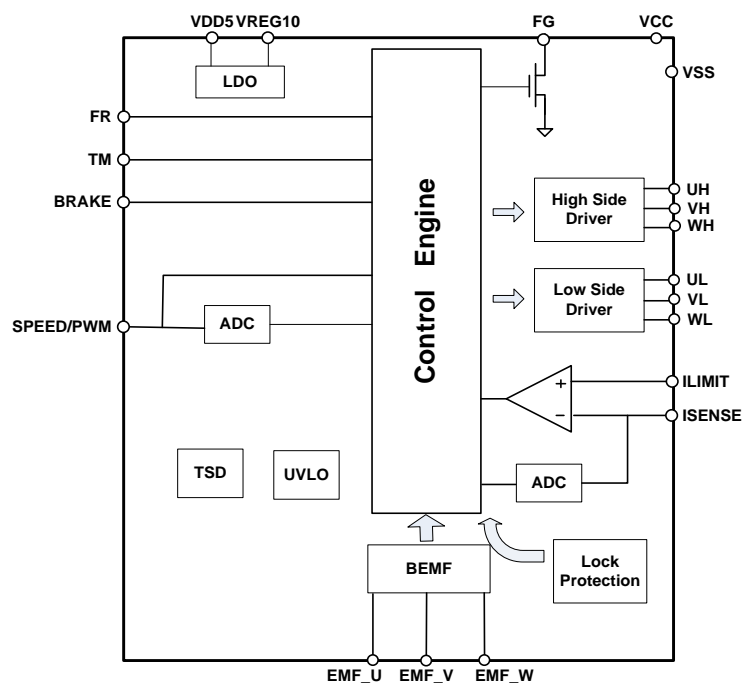
The FT3107T is a Three Phase sensorless BLDC Motor controller. It provides several drive modes (BLDC, Pseudo-BLDC, Pseudo-SINE, Narrow BLDC) with constant/variable lead angle intended for a wide range of motor characteristics. Open/Closed loop speed adjustment can be achieved through either direct-PWM or analog voltage or frequency control, initiated by soft-start. Speed indicator is provided through a Frequency Generator output, generating digital pulse with a configurable frequency proportional to the speed of the motor.

Protection functions of FT3107T are comprehensive including lock protection and automatic recovery, thermal shutdown and current limit protections. These prevent the control circuits and the motor from being damaged, particularly under stressed applications and demanding environments.

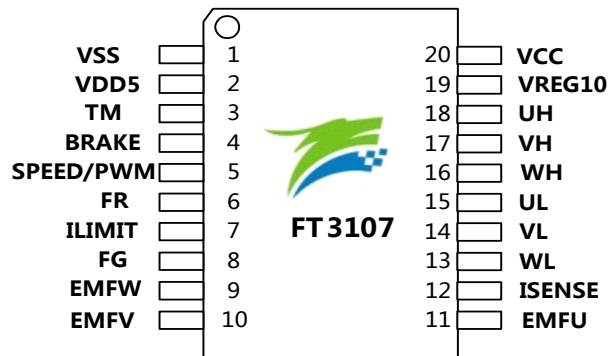
Feature

- Sensorless BLDC/Pseudo-BLDC /Pseudo-SINE/Narrow BLDC drives
- Two speed adjustment methods can be selected (direct-PWM and analog voltage control)
- Intelligent Soft-start
- Constant/Variable lead angle control
- Open/Closed loop speed adjustment can be selected (direct-PWM and analog voltage control).
- FG (Frequency Generator) output
- Current limit protection
- Built-in lock protection and automatic recovery circuit
- Built-in thermal shutdown protection (TSD)

Block Diagram



Pin Assignment



Pin Configuration

| PIN NO. | PIN Name | Type | Description |
|---------|-----------|-------|---|
| 1 | VSS | GND | Signal and power ground. |
| 2 | VDD5 | O | Digital power output, LDO DC5V output for digital signal. |
| 3 | TM | I | TEST PIN, Floating or connect to VDD5 |
| 4 | BRAKE | I | Brake signal input, Low: Brake. Internal pull-up. |
| 5 | SPEED/PWM | I | Speed control input |
| 6 | FR | I | Motor rotation direction input |
| 7 | ILIMIT | I | Current limit analog input |
| 8 | FG | O | Open drain. Frequency Generator, speed signal output. |
| 9 | EMF_W | I | Phase W back EMF. |
| 10 | EMF_V | I | Phase V back EMF. |
| 11 | EMF_U | I | Phase U back EMF. |
| 12 | ISENSE | I | Current limit & Lead angle analog input |
| 13 | WL | O | Low side phase W NMOS driver |
| 14 | VL | O | Low side phase V NMOS driver |
| 15 | UL | O | Low side phase U NMOS driver |
| 16 | WH | O | High side phase W PMOS driver |
| 17 | VH | O | High side phase V PMOS driver |
| 18 | UH | O | High side phase U PMOS driver |
| 19 | VREG10 | O | LDO output |
| 20 | VCC | POWER | Power supply |

Absolute Maximum Ratings

Stresses exceeding the absolute maximum ratings may damage the device. The device may be damaged or may not function or be operational above these ratings and stressing the device to/above these levels is not recommended. Fortior does not recommend exceeding or designing about the Absolute Maximum Ratings.

| Parameter | Symbol | Condition | Ratings | Unit |
|---|----------------|-------------------------------------|----------|------|
| Power supply voltage | V_{CCmax} | | 30.0 | V |
| FG output current | I_{FGmax} | | 10 | mA |
| FG output pin withstand voltage | V_{FGmax} | | 5.5 | V |
| Operating temperature | T_{opr} | | -40~+125 | °C |
| Storage temperature | T_{stg} | | -65~+150 | °C |
| Package Thermal Resistance, Junction to Ambient | $R\theta_{ja}$ | 4-layer PCB based on JEDEC standard | 100 | °C/W |

Recommended Operating Conditions

The Recommended Operating Conditions table defines the conditions for actual device operation. Recommended operating conditions are specified to ensure optimal performance to the datasheet specifications.

| Symbol | Parameter | Min. | Typ. | Max. | Unit |
|--------|-----------|------|------|------|------|
| | V_{CC} | 3.7 | 12 | 28 | V |

Electrical Characteristics

Unless otherwise specified, Ta=25°C, VCC=12V

| Parameter | Symbol | Condition | Ratings | | | Unit |
|--|-----------------|--------------------------|---------|------|------|------|
| | | | Min. | Typ. | Max. | |
| Power supply current | I _{cc} | Working | | 8 | 15 | mA |
| VDD5 LDO | | | | | | |
| Regulator voltage | VDD5 | | 4.9 | 5 | 5.1 | V |
| Regulator output current | Iv5out | VDD5=5V | | | 10 | mA |
| 10V Regulator Block | | | | | | |
| Regulator voltage | Vreg10 | | 9.5 | 10.0 | 10.5 | V |
| Regulator output current | Iv10out | Vreg10=10V | | | 10 | mA |
| Analog I/O Section*Note1 | | | | | | |
| Analog Input range | | | 0 | | 5.3 | V |
| Digital Input Section*Note2 | | | | | | |
| High-level input voltage | Vdinh | | 2.5 | | 5.3 | V |
| Low-level input voltage | Vdinl | | 0 | | 2 | V |
| Internal pull up resistor | Rdio | | 50k | 100k | 150k | ohm |
| SPEED – PWM DIGITAL MODE | | | | | | |
| PWM input frequency | Fpwm | | 1 | | 60 | kHz |
| HP(High Side PMOS Driver) *Note3 | | | | | | |
| Output high voltage | HVoh | Sink current = 20mA | 11.2 | 11.5 | 12 | V |
| Output low voltage | HVol | Source current = 20mA | - | 3 | 5 | V |
| Source Current | I _{o+} | | - | 150 | - | mA |
| Sink Current | I _{o-} | | - | 90 | - | mA |
| LN(Low Side NMOS Driver) *Note4 | | | | | | |
| Output high voltage | LVoh | Sink current = 20mA | 8.5 | 10 | 11 | V |
| Output low voltage | LVol | Source current = 20mA | - | 0 | 0.3 | V |
| Source Current | I _{o+} | | - | 150 | - | mA |
| Sink Current | I _{o-} | | - | 180 | - | mA |
| FG Output Pin | | | | | | |
| FG output pin low-level voltage | VFG | When I _o =5mA | - | 0.1 | 0.2 | V |
| Thermal Protection Circuit | | | | | | |
| Thermal protection circuit operating temperature | TSD | Design target | | 150 | | °C |
| Temperature hysteresis width | ΔTSD | Design target | | 30 | | °C |

1. Note1: SPEED、ILIMIT、EMF_U、EMF_V、EMF_W、ISENSE.

2. Note2: BRAKE、PWM、FR.

3. Note3: UH、VH、WH

4. Note4: UL、VL、WL

Functional Description and Notes

Please read the following notes before designing driver circuits with FT3107T.

1. Drive Mode

FT3107T can be programmed to drive the motor with different drive modes, BLDC/Pseudo-BLDC/Pseudo-SINE/Narrow BLDC. BLDC is driven at 120 degrees pulse width, Pseudo BLDC is driven at an increased pulse width with edges of the width superimposed with PWM. This mode is useful where acoustic noise is a concern over BLDC. Under some conditions, for acoustic noise reduction, Pseudo Sine can be used where the motor is driven sinusoidally except for a single window for back-EMF detection. In the event where the flyback current is large, narrow BLDC can be use where the pulse width is smaller and flyback current pulse can be accommodated for.

2. Speed Control Methods

FT3107T has two methods to control speed, through direct digital PWM input or analog voltage input. If digital PWM input is used, PWM input duty direct input to control speed. If analog voltage speed control is used, the voltage seen at SPEED will generate an internal PWM with its duty cycle determined by the following equation:

$$Duty_cycle = \frac{V_{SPEED} - 0.5}{4}$$

The selection of digital PWM input control or analog voltage is done through efuse.

3. Closed loop speed control

Closed loop speed control can be is controlled through the duty cycle of the digital input PWM or the voltage level of the analog input PWM. Additional efuses (VLOW and VRANGE) together with SMIN_DUTY can be set in order to achieve the speed profiles. This is achieved using an internal PI loop with its proportional and integral gains configurable through efuses.

4. Frequency Generator Function

The Frequency Generator output generates a rotation pulse providing information about the speed of motor. It can be programmed using internal efuse to give 2 mechanical rotation for motor pole pairs ranging from 2-8, or 1-3 per electrical rotation. The default setting is 1 pulse per electrical degree. The FG pin is an open drain output, which is to be connected to a logical voltage level through an external pull-up resistor when used. This pin can be left open if unused.

5. EMF Feedback

EMF_U\EMF_V\EMF_W are motor back-EMF inputs and must be proportionately stepped down to less than VDD5 for protection of the IC.

6. Brake Function

FT3107T comes with brake function. Braking operates intelligently for protective purpose. When BRAKE pin is set low, if the motor is rotating above the brake threshold speed, output MOSFETs will be turned off to slow down the motor. However, if the motor is rotating below the brake threshold speed, and the lower legs of the output MOSFETs will be turned on to brake the motor. The reason for this distinction is to protect the MOSFETs from excessive braking currents due to large back-EMF.

7. Lead Angle Correction

The lead angle of generated motor driving signal related to the induced magnetic voltage can be shifted by an angle between 0 and 15 degrees. Lead angle control can be achieved by directly applying a voltage to the ISENSE pin.

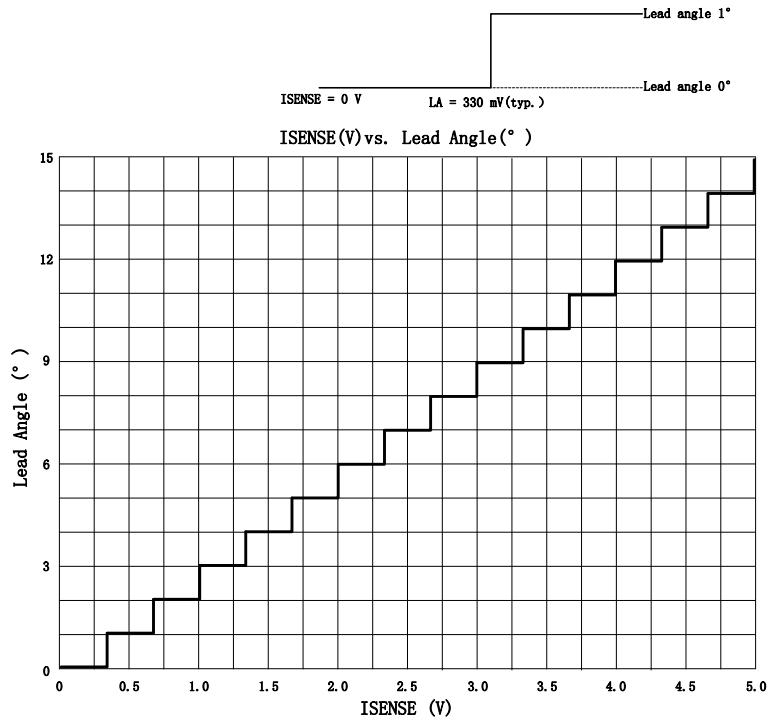


Figure 1 ISENSE vs Lead Angle

<Typical Characteristics of the ISENSE versus Lead Angle>

| Step | ISENSE (V) | Lead angle(°) | Step | ISENSE(V) | Lead angle(°) | Step | ISENSE (V) | Lead angle(°) |
|------|------------|----------------|------|-----------|----------------|------|------------|----------------|
| 0 | 0.00 | 0.00 | 6 | 2.00 | 6.00 | 12 | 4.00 | 12.00 |
| 1 | 0.33 | 1.00 | 7 | 2.33 | 7.00 | 13 | 4.33 | 13.00 |
| 2 | 0.66 | 2.00 | 8 | 2.66 | 8.00 | 14 | 4.66 | 14.00 |
| 3 | 1.00 | 3.00 | 9 | 3.00 | 9.00 | 15 | 5.00 | 15.00 |
| 4 | 1.33 | 4.00 | 10 | 3.33 | 10.00 | | | |
| 5 | 1.66 | 5.00 | 11 | 3.66 | 11.00 | | | |

8. Lockup Protection and Automatic Restart

If motor rotation is abnormal, the internal detection circuit starts self-locking detection for a given number of cycles (Trun). If the motor rotation is abnormal for Trun cycles, the lock-up protection circuit will disable the driver (by setting its outputs to high-impedance) in order to prevent the motor coil from burnout. After a “waiting time (Twait)”, the lock-up protection is released and normal operation resumes. Similarly if rotation is abnormal for another time period, Trun, lock-up protection will once again be triggered. Twait and Trun timings are configurable with internal efuse and can be modified by user.

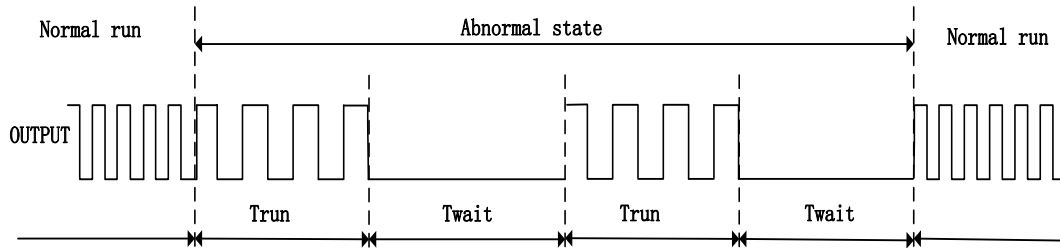


Figure2 Lockup Protection and Automatic Restart

9. Current Protection

There are two methods of current protection: overload current protection and cycle by cycle current protection. Cycle by cycle current protection is only available for BLDC. The overload current protection and cycle by cycle current protection of the motor is selected by setting internal efuse

The current limit circuit limits the output current peak value to a level determined by the equation:

$$I = V_{ref} / R_{ISENSE}$$

For the overload current protection mode, the current limit circuit detects the peak current of the output transistors at the ISENSE pin and will reduce the duty cycle of PWM.

For the cycle by cycle current protection mode, when the voltage at the ISENSE input is higher than VREF, the current limit protection is generated and the output PWM will be turned off. Being cycle by cycle, it is reset every PWM cycle. The VREF voltage can be selected to internal voltage or ILIMIT pin input analog voltage using efuse.

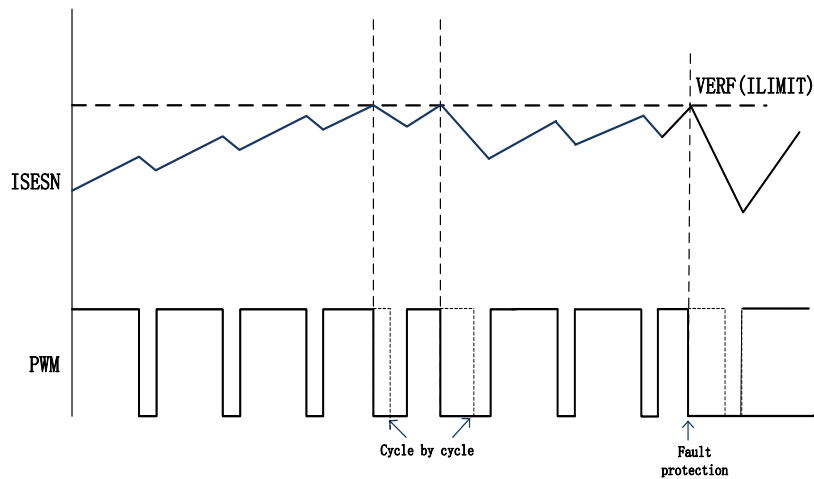
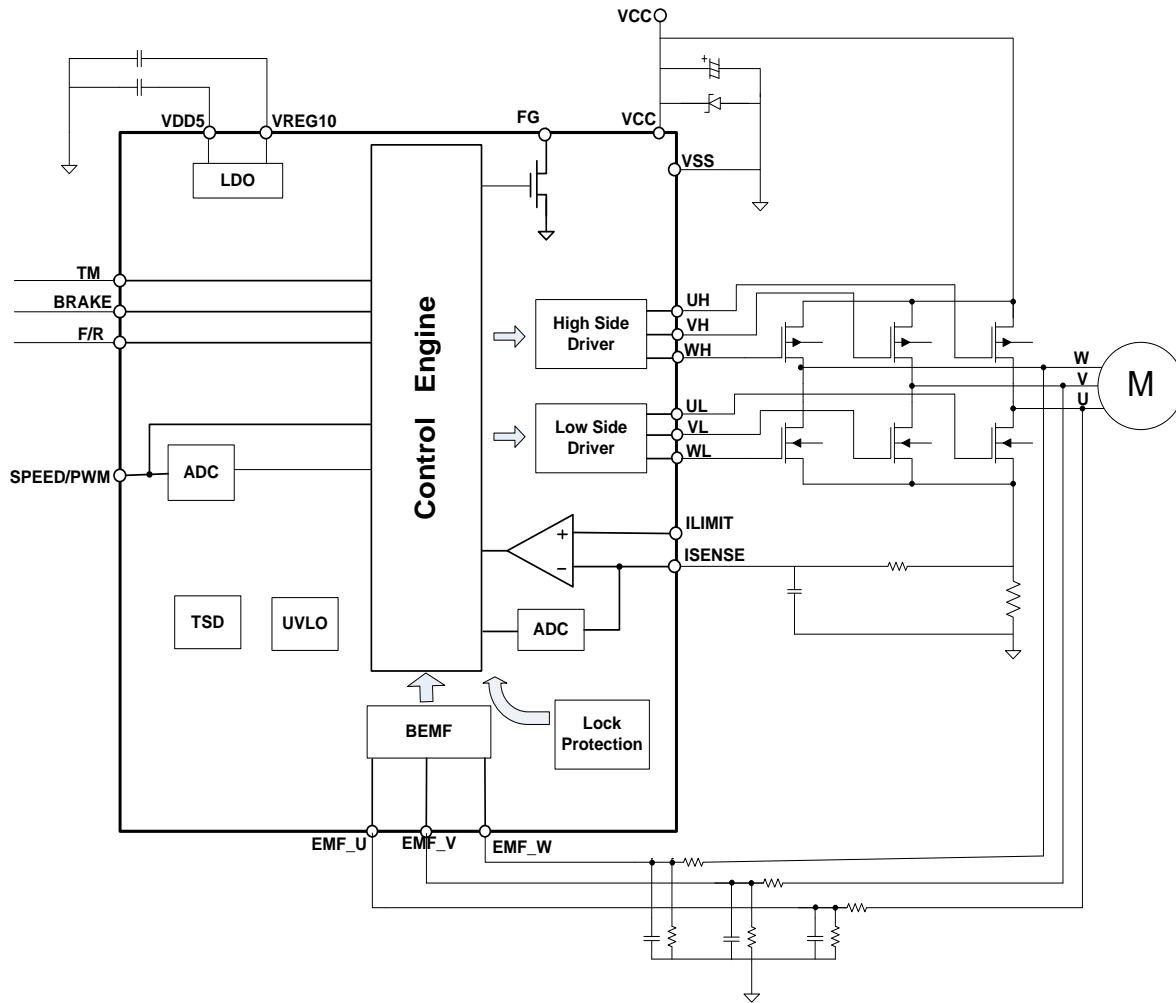


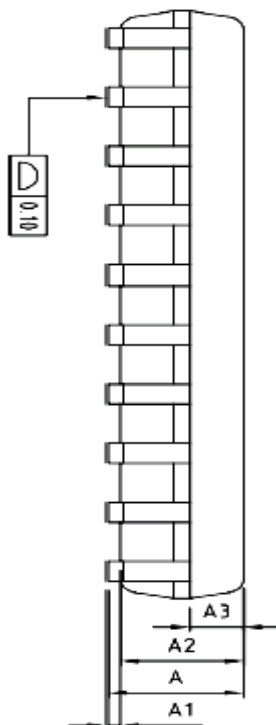
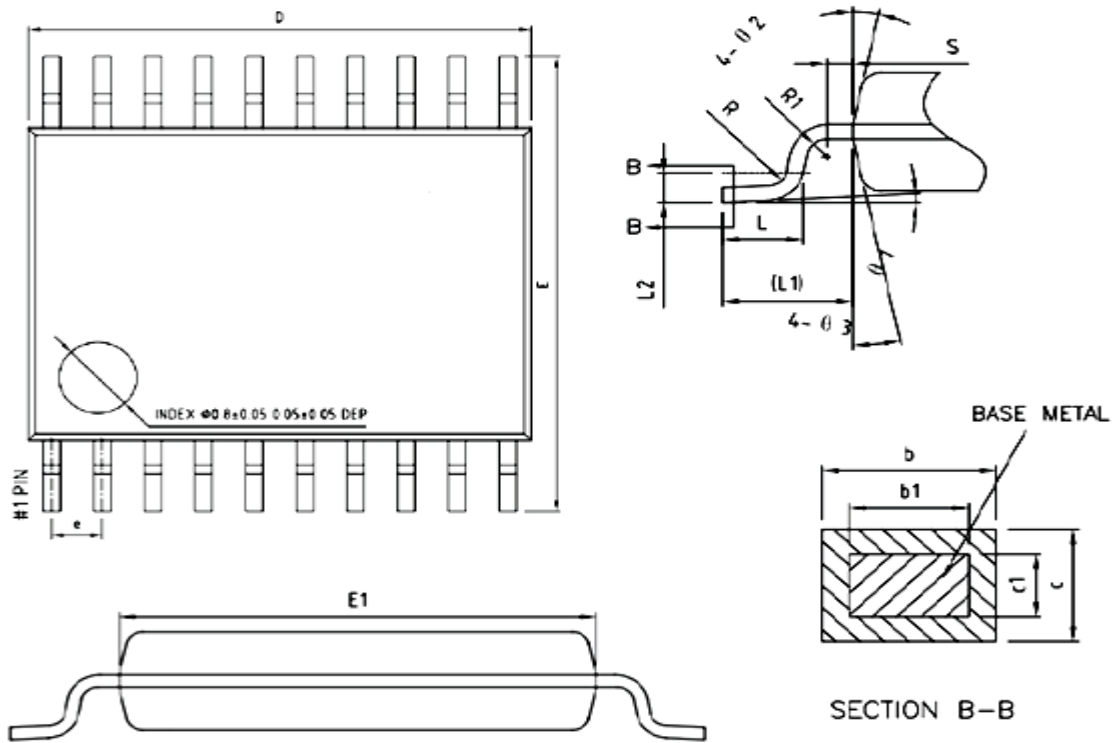
Figure 3 Cycle by cycle current protection mode

10. Thermal Protection.

FT3107T has a built in thermal shunt down function, which will shut down the device when the junction temperature is over 150 °C and will resume operating when the junction temperature drops back to 120 °C.

Application Circuit Example



Package Information
TSSOP-20


| | MIN | NOM | MAX |
|----|---------|------|------|
| A | - | - | 1.20 |
| A1 | 0.05 | - | 0.15 |
| A2 | 0.80 | 1.00 | 1.05 |
| b | 0.19 | - | 0.30 |
| b1 | 0.19 | 0.22 | 0.25 |
| c | 0.09 | - | 0.20 |
| c1 | 0.09 | - | 0.16 |
| D | 6.40 | 6.50 | 6.60 |
| E | 6.20 | 6.40 | 6.60 |
| E1 | 4.30 | 4.40 | 4.50 |
| e | 0.65BSC | | |
| L | 0.45 | 0.60 | 0.75 |
| L1 | 1.00BSC | | |

| Part Number | Package Type | Marking ID | Package Method | Quantity |
|-------------|--------------|------------|----------------|----------|
| FT3107T | TSSOP20 | FT3107T | TUBE | 50 |

Copyright Notice

Copyright by Fortior Technology (Shenzhen) Co., Ltd. All Rights Reserved.

Right to make changes —Fortior Technology (Shenzhen) Co., Ltd reserves the right to make changes in the products - including circuits, standard cells, and/or software - described or contained herein in order to improve design and/or performance. The information contained in this manual is provided for the general use by our customers. Our customers should be aware that the personal computer field is the subject of many patents. Our customers should ensure that they take appropriate action so that their use of our products does not infringe upon any patents. It is the policy of Fortior Technology (Shenzhen) Co., Ltd. to respect the valid patent rights of third parties and not to infringe upon or assist others to infringe upon such rights.

This manual is copyrighted by Fortior Technology (Shenzhen) Co., Ltd. You may not reproduce, transmit, transcribe, store in a retrieval system, or translate into any language, in any form or by any means, electronic, mechanical, magnetic, optical, chemical, manual, or otherwise, any part of this publication without the expressly written permission from Fortior Technology (Shenzhen) Co., Ltd.

Fortior Technology (Shenzhen) Co.,Ltd.

Room203, 2/F, Building No.11, Keji Central Road2,
Software Park, High-Tech Industrial Park, Shenzhen, P.R. China 518057
Tel: 0755-26867710
Fax: 0755-26867715
URL: <http://www.fortiortech.com>

Contained herein

Copyright by Fortior Technology (Shenzhen) Co.,Ltd all rights reserved.

X-ON Electronics

Largest Supplier of Electrical and Electronic Components

Click to view similar products for [Motor/Motion/Ignition Controllers & Drivers](#) category:

Click to view products by [Fortior](#) manufacturer:

Other Similar products are found below :

[FSB50550TB2](#) [MSVCPM2-63-12](#) [MSVGW45-14-2](#) [MSVGW54-14-3](#) [NTE7043](#) [LA6565VR-TLM-E](#) [LB1837M-TLM-E](#) [STK534U342C-E](#)
[AM4967GSTR-G1](#) [TB6562AFG\(O,8,EL\)](#) [BA5839FP-E2](#) [VND5T050AK-E](#) [LA6584JA-AH](#) [LB11961-W-AH](#) [LC898212XD-SH](#)
[NCV70501DW002R2G](#) [TND315S-TL-2H](#) [FSB50250AB](#) [FNA41060](#) [MSVBTC50E](#) [MSVCPM3-54-12](#) [MSVCPM3-63-12](#) [MSVCPM4-63-12](#)
[FSB50550AB](#) [L99MC6TR](#) [LC898301XA-MH](#) [LV8413GP-TE-L-E](#) [MSVGW45-14-3](#) [MSVGW54-14-4](#) [TB6552FNG,C,8,EL](#) [LB11651-E](#)
[IRSM515-025DA4](#) [LV8127T-TLM-H](#) [MC33812EKR2](#) [MC33PT2000AF](#) [LB11851FA-BH](#) [LB1938FAGEVB](#) [TB6569FTG,8,EL](#)
[STIPN2M50-H](#) [BH67172NUX-GE2](#) [RSHR4006BV20](#) [DMPU-CPAN](#) [DMPU-CPC](#) [DMPUC-R2](#) [AIS-D-42MA](#) [FNB81560T3](#)
[NCV7535DBR2G](#) [NCP81274MNTXG](#) [PT8A2767FWEX](#) [IM240S6Y1BAKMA1](#)