



# PRODUCT SPECIFICATION

**Model No.: FYLS-2835XXXC-0.2W**

Features:
<ul style="list-style-type: none"> <li>■ SMD Type</li> <li>■ Size (mm):3.50*2.80*1.90</li> <li>■ Lens Color: Water clear.</li> <li>■ Viewing Angle(2θ½):120°</li> <li>■ SMT package</li> <li>■ Suitable for all SMT assembly and soldering method</li> <li>■ Pb-free Reflow soldering application</li> <li>■ RoHS Compliant</li> <li>■ MSL:6</li> </ul>

Applications:
<ul style="list-style-type: none"> <li>■ Light Strips</li> <li>■ LCD Backlight</li> <li>■ Decorative lighting</li> <li>■ Indicators</li> <li>■ Interior automotive</li> <li>■ Illuminations</li> <li>■ Mobile Phones</li> </ul>



CUSTOMER APPROVED SIGNATURES	APPROVED BY	SALES BY	PREPARED BY
			

**NINGBO FORYARD OPTOELECTRONICS CO.,LTD.**

**Add:**No. 666 Jinghua Road, Hi-tech Park, Ningbo, Zhejiang, China

**Zip:**315103

**Tel:** 0086-574-87933652 87927870 87922206

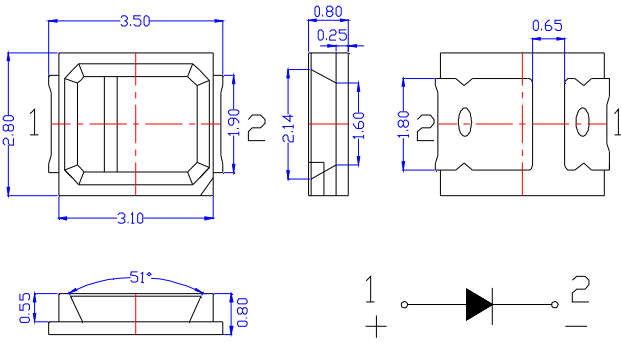
**Fax:** 0086-574-87927917

**E-mail:**Sales@foryard.com ( General)

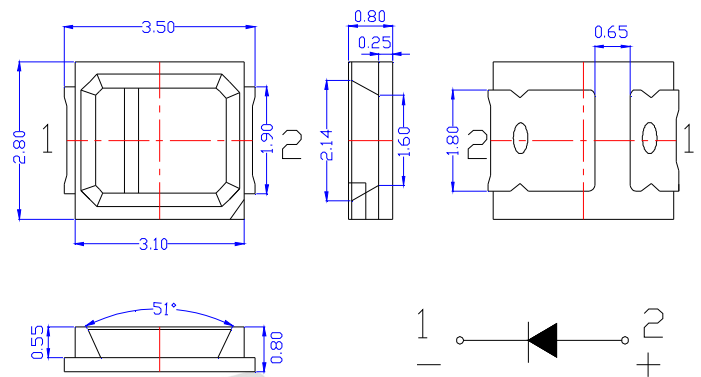
**Model No.: FYLS-2835XXXC-0.2W**

**Mechanical Dimensions**

**Positive polarity**



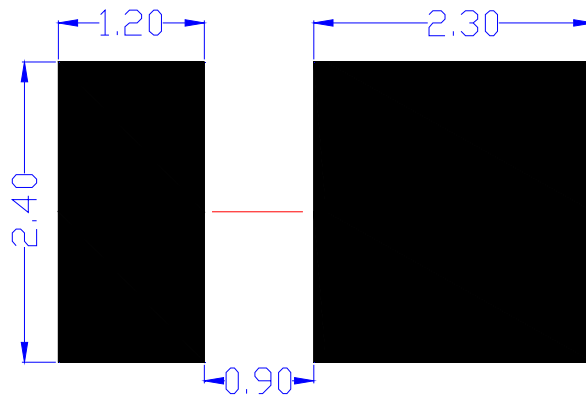
**Reverse polarity**



FYLS-2835LRC-0.2W, FYLS-2835KURC-0.2W  
 FYLS-2835KUYC-0.2W, FYLS-2835PGC-0.2W  
 FYLS-2835BGC-0.2W, FYLS-2835KUBC-0.2W  
 FYLS-2835NUBC-0.2W

FYLS-2835PURC-0.2W, FYLS-2835PUAC-0.2W  
 FYLS-2835PUYC-0.2W

**Recommend Soldering pad design(unit=mm)**



Notes:

1. Dimension in millimeter, tolerance is  $\pm 0.10$ .
2. Angle:  $\pm 5^\circ$
3. The specifications, characteristics and technical data described in the datasheet are subject to change without prior notice.
4. The drawing is different from the actual one, please refer to the sample.

**Model No.: FYLS-2835XXXC-0.2W**

**■ Absolute maximum ratings;Ta=25℃**

Parameter	Symbol	MAX.					Unit
		AlGaInP Red/Amber	AlGaInP Yellow	InGaN/GaN Purea Gree	InGaN/GaN Bluish Gree	InGaN/GaN Blue	
Forward DC Current	IF	60	60	60	60	60	mA
Peak Forward Current*	IFP	60	60	60	60	60	mA
Power Dissipation	PD	200	200	200	200	200	mW
Reverse Voltage	VR	5					V
Reverse Current (VR=5V)	IR	10					u A
Operating Temperature Range	Topr	-40~ +85					℃
Storage Temperature Range	Tstg	-40~ +85					℃

\*1/10 Duty Cycle, 0.1ms Pulse Width

**■ Electrical-Optical Characteristics**

**● Color Code & Chip Characteristics:(Test Condition:IF=60mA)**

(Ta=25℃)

Model No.:	Emitting Color	Dice Material	Peak Wave	Peak Wave			Spectral Line	Forward			Luminous Intensity (Iv) Unit: mcd		
			Length(AP)	Length(λd) nm			halfwidth	Voltage(VF) Unit:V			Min.	Typ.	Max.
			nm	Min.	Typ.	Max.	(Δλ1/2) nm	Min.	Typ.	Max.	Min.	Typ.	Max.
<b>Ultra brightness</b>													
FYLS-2835LRC-0.2W	Ultra Red	AlGaInP	660	632	640	660	20	1.80	2.00	2.40	1150	1450	1650
FYLS-2835KURC-0.2W	Ultra Red	AlGaInP	630	620	623	627	20	1.80	2.00	2.40	1550	1750	2050
FYLS-2835PURC-0.2W	Ultra Red	AlGaInP	630	620	623	627	20	1.80	2.00	2.40	1750	2250	2850
FYLS-2835PUAC-0.2W	Ultra Amber	AlGaInP	610	602	606	610	20	1.80	2.00	2.40	2450	3350	4650
FYLS-2835KUYC-0.2W	Ultra Yellow	AlGaInP	593	588	592	596	20	1.80	2.00	2.40	1550	1750	2050
FYLS-2835PUYC-0.2W	Ultra Yellow	AlGaInP	593	588	592	596	20	1.80	2.00	2.40	1750	2250	2850
FYLS-2835PGC-0.2W	Purea Green	InGaN/GaN	520	514	521.5	529	36	2.80	3.00	3.40	4650	5550	7950
FYLS-2835BGC-0.2W	Bluish Green	InGaN/GaN	505	502	506	510	36	2.80	3.00	3.40	4650	5550	7950
FYLS-2835KUBC-0.2W	Ultra Blue	InGaN/GaN	468	466	470	476	30	2.80	3.00	3.40	1650	1950	2650
FYLS-2835NUBC-0.2W	Ultra Blue	InGaN/GaN	468	466	470	476	30	2.80	3.00	3.40	1850	2650	3650

**■ Material**

Item	Reflector	Wire	Encapsulate
Material	PPA	Gold	Silicone

Note:

- 1.Luminous Intensity is based on the Foryard standards.
- 2.Pay attention about static for InGaN

**Model No.: FYLS-2835XXXC-0.2W**

■ The Luminous Flux Grade of Products(Unit: Lm) ;Test Condition: If=60mA,Ta=25℃

A		B		C		D		E		F	
A1	A2	B1	B2	C1	C2	D1	D2	E1	E2	F1	F2
0.10	0.20	0.40	0.70	1.20	2.20	3.60	5.10	7.20	9.00	11.50	14.50
0.20	0.40	0.70	1.20	2.20	3.60	5.10	7.20	9.00	11.50	14.50	18.00

G		H		J		K		L		M	
G1	G2	H1	H2	J1	J2	K1	K2	L1	L2	M1	M2
18.00	22.50	28.50	36.00	45.00	57.00	72.00	90.00	115.00	145.00	180.00	225.00
22.50	28.50	36.00	45.00	57.00	72.00	90.00	115.00	145.00	180.00	225.00	285.00

N		P		Q		R		SA		SB	
N1	N2	P1	P2	Q1	Q2	R1	R2	S1	S2	S3	S4
285.00	360.00	450.00	550.00	650.00	750.00	850.00	950.00	1050.00	1150.00	1250.00	1350.00
360.00	450.00	550.00	650.00	750.00	850.00	950.00	1050.00	1150.00	1250.00	1350.00	1450.00

SC		TA		TB		TC		UA		UB	
S5	S6	T1	T2	T3	T4	T5	T6	U1	U2	U3	U4
1450.00	1550.00	1650.00	1750.00	1850.00	1950.00	2050.00	2250.00	2450.00	2650.00	2850.00	3050.00
1550.00	1650.00	1750.00	1850.00	1950.00	2050.00	2250.00	2450.00	2650.00	2850.00	3050.00	3350.00

UC		VA		VB		VC		WA		WB	
U5	U6	V1	V2	V3	V4	V5	V6	W1	W2	W3	W4
3350.00	3650.00	3950.00	4250.00	4650.00	5050.00	5550.00	6050.00	6650.00	7250.00	7950.00	8650.00
3650.00	3950.00	4250.00	4650.00	5050.00	5550.00	6050.00	6650.00	7250.00	7950.00	8650.00	9450.00

WC		XA		XB		XC	
W5	W6	X1	X2	X3	X4	X5	X6
9450.00	10250.00	11250.00	13250.00	16250.00	19250.00	23250.00	27250.00
10250.00	11250.00	13250.00	16250.00	19250.00	23250.00	27250.00	32250.00

Tolerance of measurement of luminous intensity is ±15%

■ Forward Voltage Grade of Products (Unit: V); Test Condition: If=60mA,Ta=25℃

1	2	3	4	5	6	7	8	9	10	11	12
1.40	1.50	1.60	1.70	1.80	1.90	2.00	2.10	2.20	2.30	2.40	2.50
1.50	1.60	1.70	1.80	1.90	2.00	2.10	2.20	2.30	2.40	2.50	2.60

13	14	15	16	17	18	19	20	21	22	23	24
2.60	2.70	2.80	2.90	3.00	3.10	3.20	3.30	3.40	3.50	3.60	3.70
2.70	2.80	2.90	3.00	3.10	3.20	3.30	3.40	3.50	3.60	3.70	3.80

Tolerance of measurement of forward voltage is ±0.1V

**Model No.: FYLS-2835XXXC-0.2W**

■ Dominate Wavelength Guide (Unit: nm) @IF=60mA, Ta=25°C

Red	
LR	
1	2
632.00	640.00
640.00	660.00

Ultra Red			
UR			
0	1	2	3
620.00	623.00	627.00	632.00
623.00	627.00	632.00	640.00

Ultra Amber			
UA			
1	2	3	4
598.00	602.00	606.00	610.00
602.00	606.00	610.00	614.00

Ultra Yellow					
UY					
1	2	3	4	5	6
584.00	586.00	588.00	590.00	592.00	594.00
586.00	588.00	590.00	592.00	594.00	596.00



Purea Green									
PG									
1	2	3	4	5	6	7	8	9	A
511.50	514.00	516.50	519.00	521.50	524.00	526.50	529.00	531.50	534.00
514.00	516.50	519.00	521.50	524.00	526.50	529.00	531.50	534.00	536.50

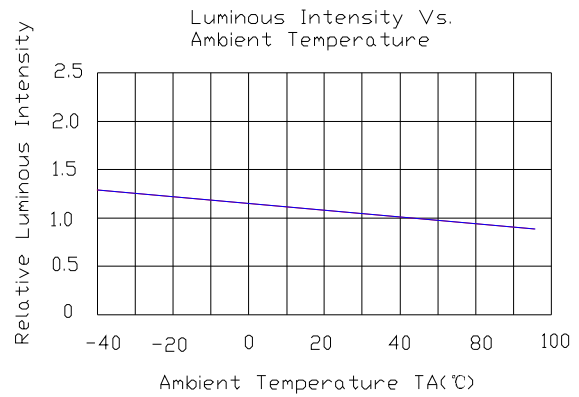
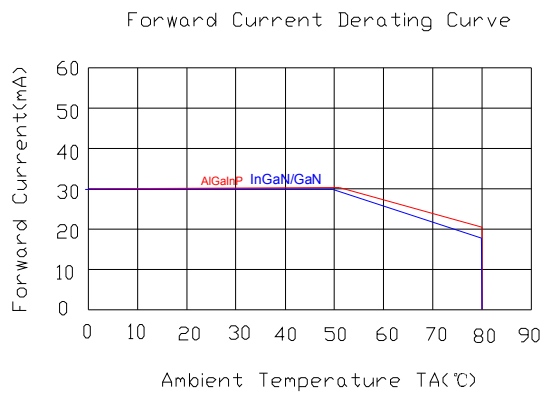
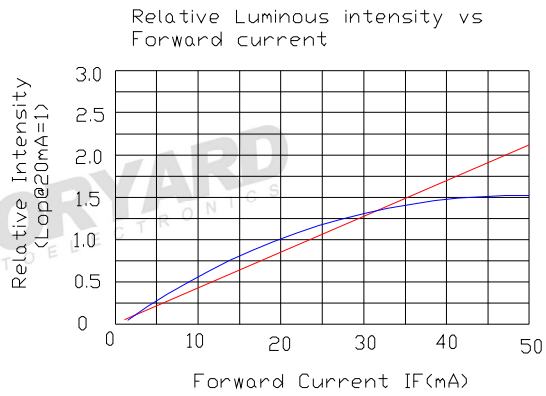
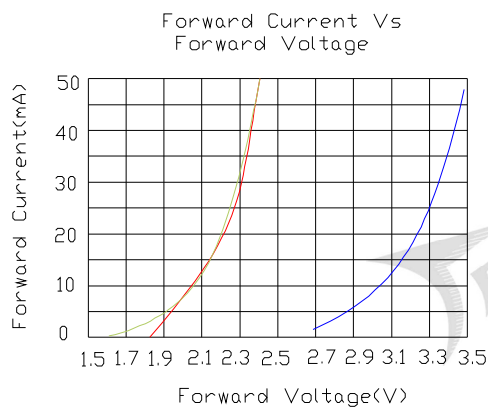
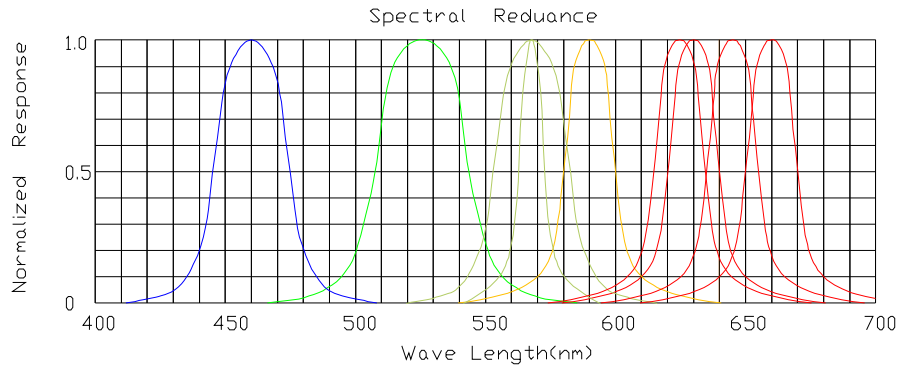
Bluish Green								
BG								
0	1	2	3	4	5	6	7	8
498.00	500.00	502.00	504.00	506.00	508.00	510.00	512.00	514.00
500.00	502.00	504.00	506.00	508.00	510.00	512.00	514.00	516.00

Ultra Blue					
UB					
0	1	2	3	4	5
460.00	463.50	466.00	468.50	471.00	473.50
463.50	466.00	468.50	471.00	473.50	476.00

Tolerance for each Dominate Wavelength bin is ±1nm

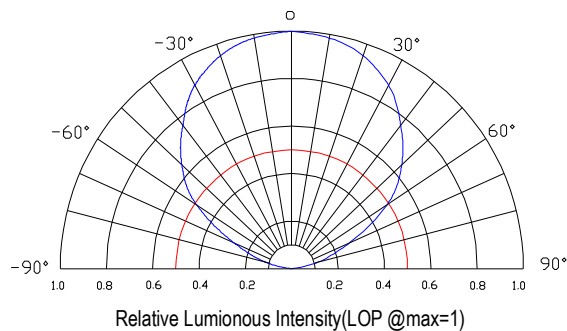
**Model No.: FYLS-2835XXXC-0.2W**

**Electrical-Optical Characteristics-**



**NOTE:25°C free air temperature unless otherwise specified**

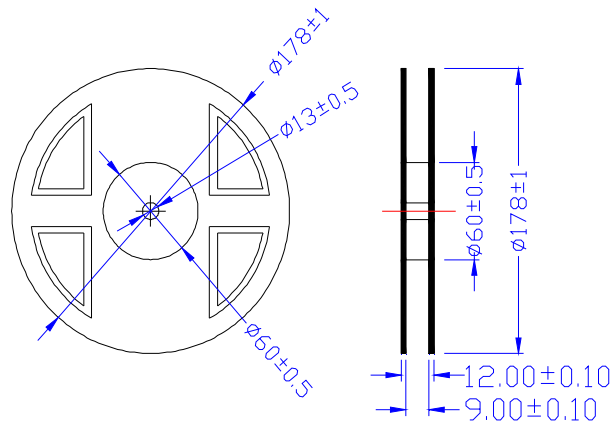
**Radiation pattern-**



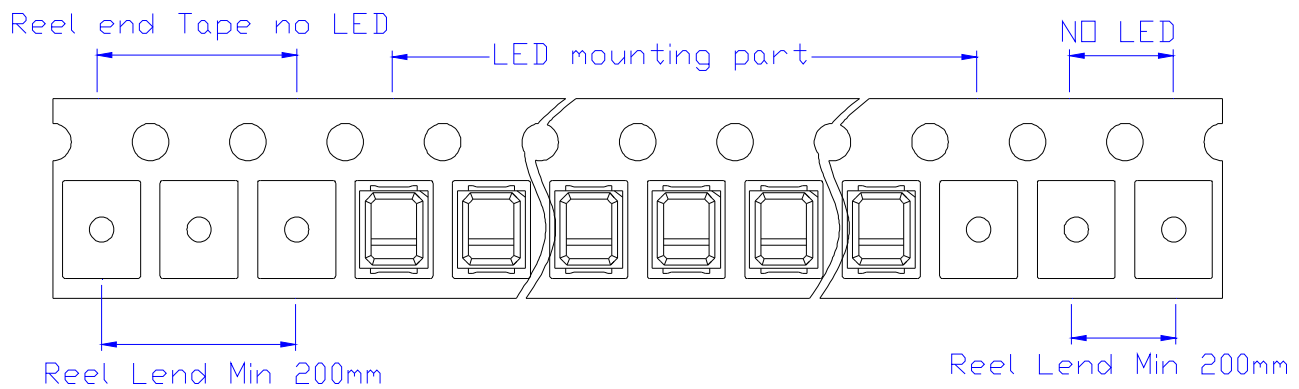
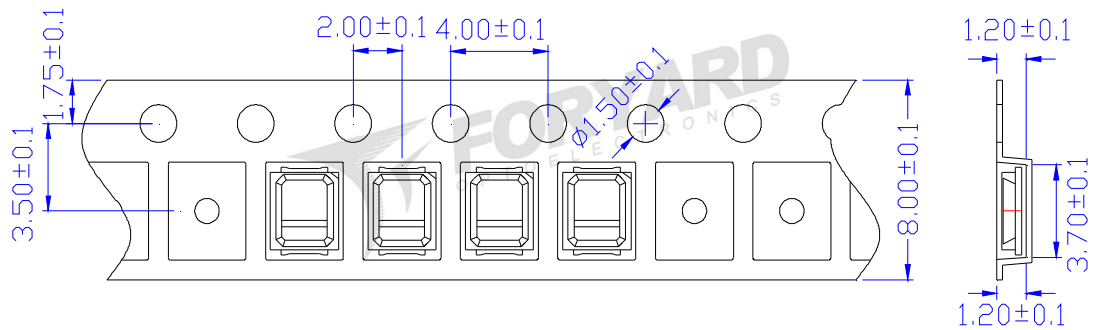
**Model No.: FYLS-2835XXXC-0.2W**

■ **Package-**

1. Reel Dimension



2. Tape Dimension



FYLS-2835LPGC-0.5W, FYLS-2835UBC-0.5W

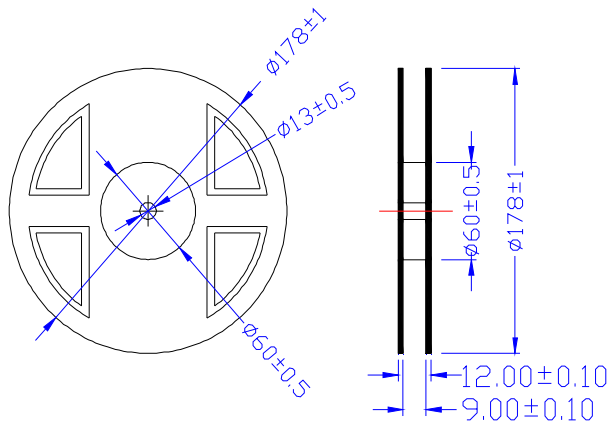
Notice:

1. Tolerance unless mentioned is  $\pm 0.2\text{mm}$

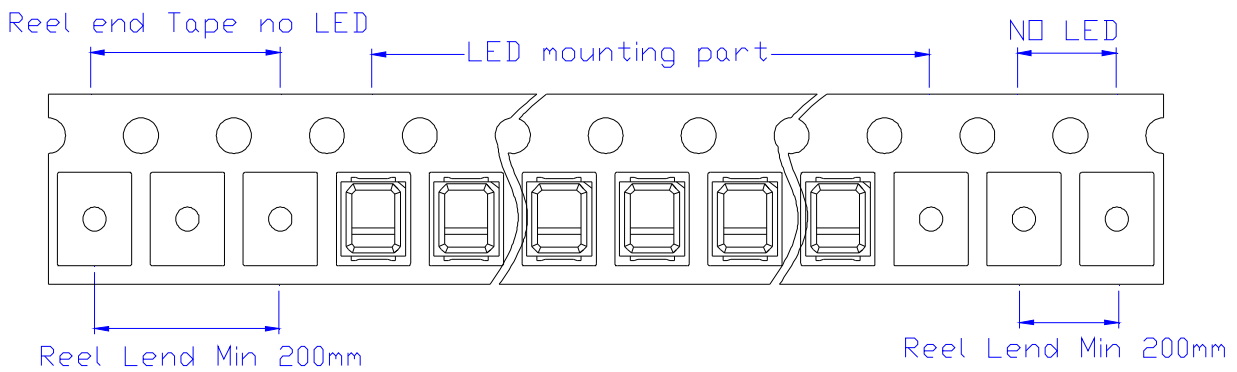
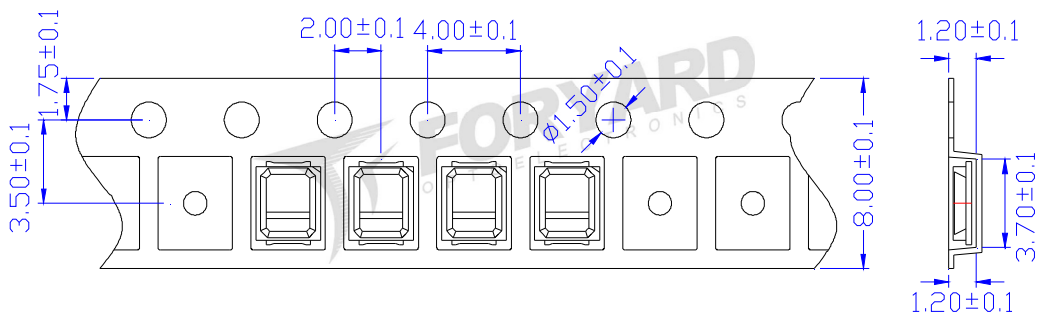
**Model No.: FYLS-2835XXXC-0.2W**

■ **Package-**

1. Reel Dimension



2. Tape Dimension



FYLS-2835URC-0.5W, FYLS-2835UYC-0.5W

Notice:

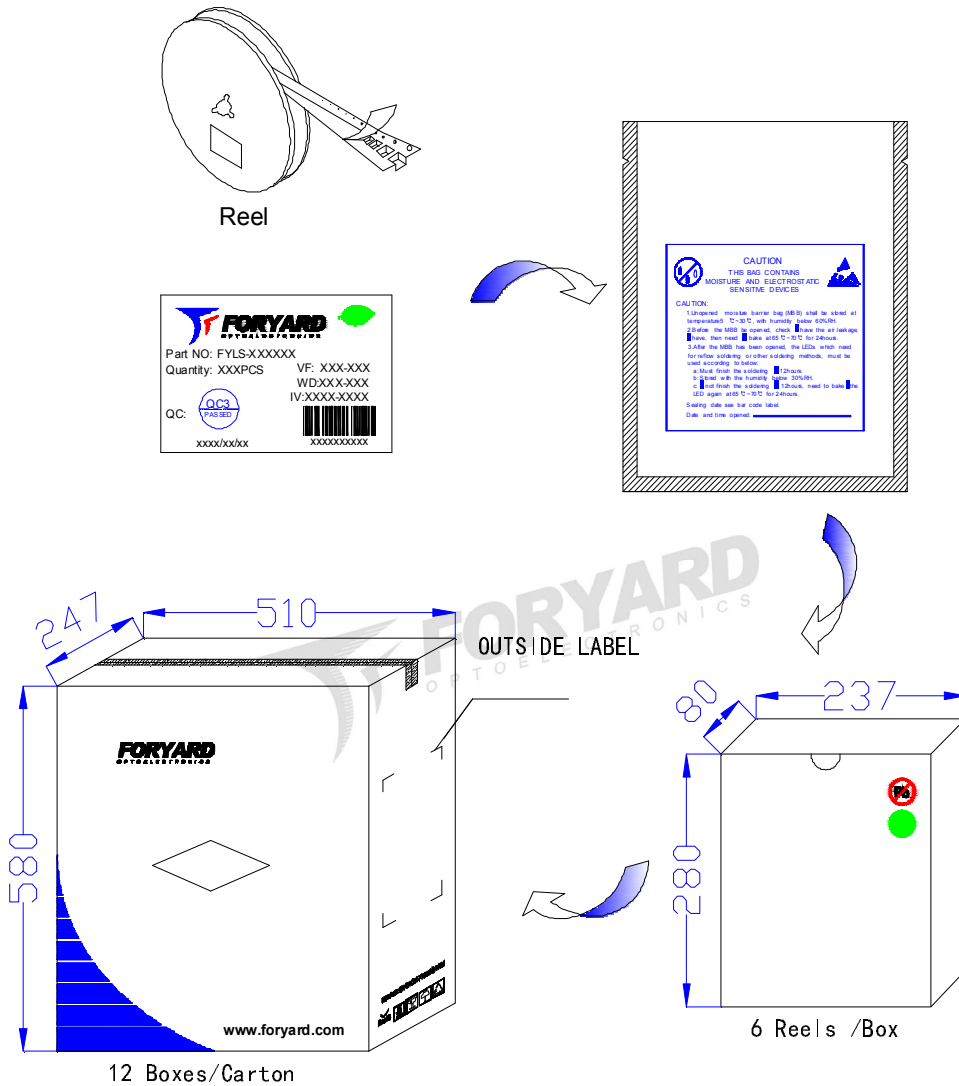

1. Tolerance unless mentioned is  $\pm 0.2\text{mm}$




Model No.:	FYLS-2835XXXC-0.2W
Date / Rev.	2020.12.22 / A

**Model No.: FYLS-2835XXXC-0.2W**


3. Packing Diagram

**LED**  
 PN: FYLS-XXXXXXXXXX  
 Qty: XXXXX PCS  
 Date: XXXX/XX/XX  
 GW: XX.XX KG  
 NW: XX.XX KG



XXXXXXXXXX



OUTSIDE LABEL

Notice:

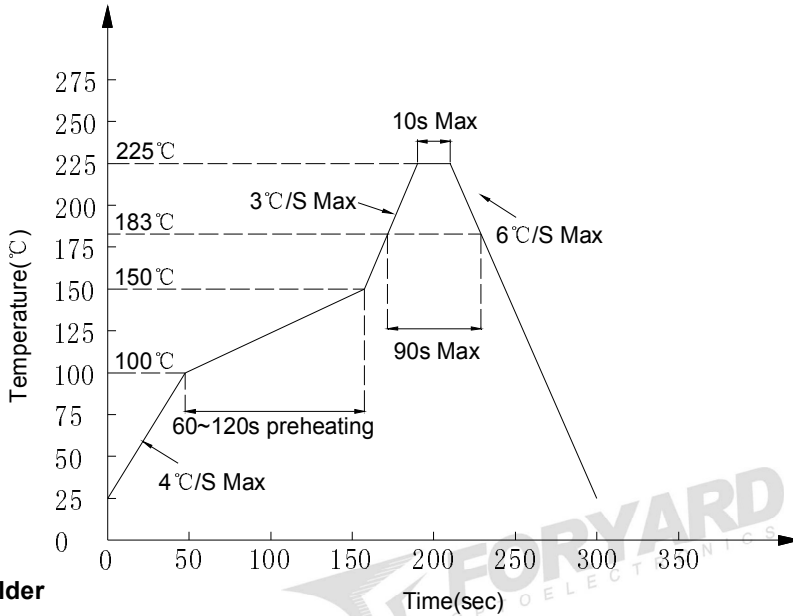
- 1.Quantity:3000 PCS/Reel
- 2.The specifications are subject to change without notice. Please contact us for updated information.

**Model No.: FYLS-2835XXXC-0.2W**

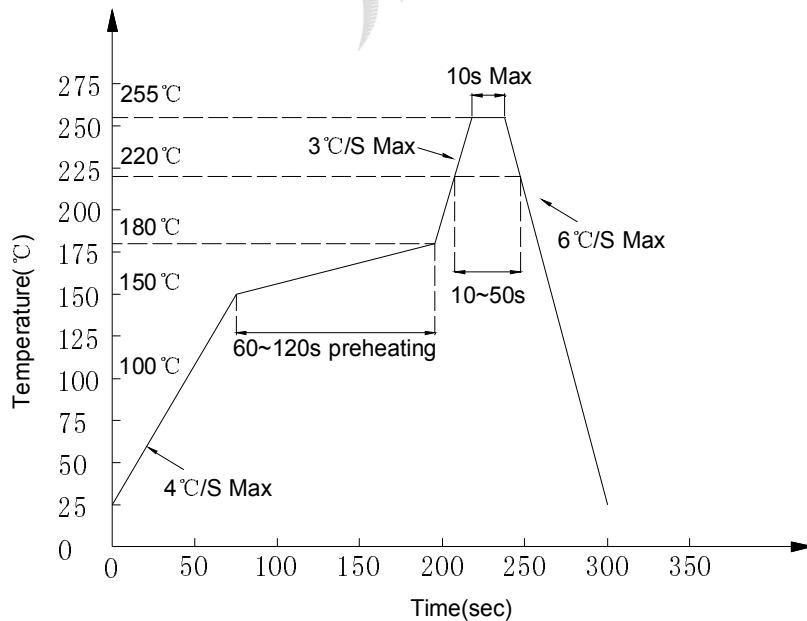
**■ Soldering Characteristics-**

**● Reflow Soldering**

**● Lead Solder**



**● Lead-free Solder**



**Notes:**

- 1.Although the recommended soldering conditions are specified in above table, reflow or hand soldering at the lowest possible temperature is desired for the LEDs.
- 2.A rapid-rate process is not recommended for cooling the LEDs down from the peak temperature.
- 3.All temperatures refer to solder Pad.

**● Hand Soldering**

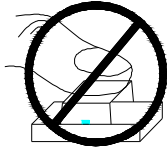
Soldering temperature	300°C Max. (25W Max.)	One time only
Soldering time	5 ±1sec	

**Model No.: FYLS-2835XXXC-0.2W**

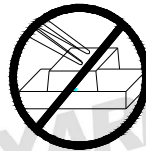
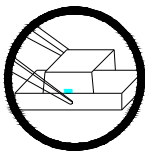
**■ Handling of Silicone Resin LEDs-**

**● Handling Indications**

When handling the product, do not touch it directly with bare hands as it may contaminate the surface and affect on optical characteristics. In the worst cases, excessive force to the product might result in catastrophic failure due to package damage and/or wire breakage.

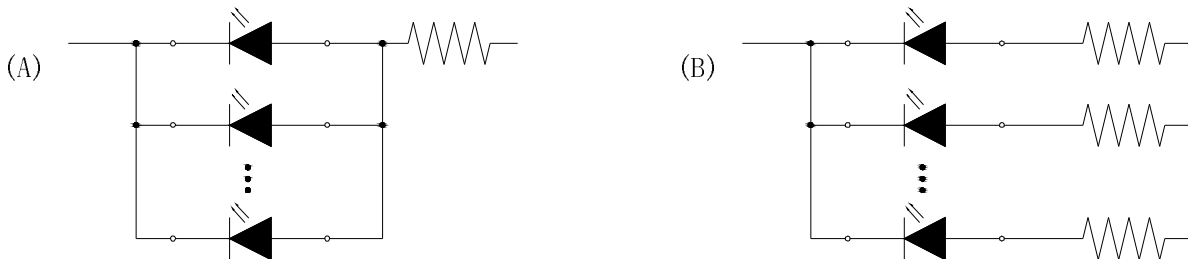


When handling the product with tweezers, LEDs should only be handled from the side and make sure that excessive force is not applied to the resin portion of the product. Failure to comply can cause the resin portion of the product to be cut, chipped, delaminated and/or deformed, and wire to be broken, and thus resulting in catastrophic failure.



**■ Recommended circuit-**

• In designing a circuit, the current through each LED must not exceed the absolute maximum rating specified for each LED. It is recommended to use Circuit B which regulates the current flowing through each LED. In the meanwhile, when driving LED with a constant voltage in Circuit A, the current through the LEDs may vary due to the variation in forward voltage (VF) of the LEDs. In the worst case, some LED may be subjected to stresses in excess of the absolute maximum rating.



• This product should be operated in forward bias. A driving circuit must be designed so that the product is not subjected to either forward or reverse voltage while it is off. In particular, if a reverse voltage is continuously applied to the product; such operation can cause migration resulting in LED damage.

**■ Storage-**

**● Storage Conditions**

1. Unopened moisture barrier bag (MBB) shall be stored at temperature below 5°C~30°C, with humidity below 60%RH.
2. Before the MBB be opened, check if have the air leakage, if have, then need to bake at 65°C~70°C for 24hours.
3. After the MBB has been opened, the LEDs which need for reflow soldering or other soldering methods, must be used according to below:
  - a: Must finish the soldering in 12hours
  - b: Stored with the humidity below 30%RH
  - c: If not finish the soldering in 12hours, need to bake the LED again at 65°C~70°C for 24hours

## X-ON Electronics

Largest Supplier of Electrical and Electronic Components

*Click to view similar products for [Standard LEDs - SMD category](#):*

*Click to view products by [Foryard manufacturer](#):*

Other Similar products are found below :

[LTST-C190KYKT](#) [LTST-C19GD2WT](#) [LTST-N683GBEW](#) [LTW-170ZDC](#) [LTW-M140SZS40](#) [598-8110-100F](#) [598-8170-100F](#) [598-8610-202F](#) [67-22VRVGC/TR8](#) [AAAF5060QBFSEEZGS](#) [ALMD-LB36-SV002](#) [APT1608QGW](#) [15-21UYC/S530-A3/TR8](#) [EAST2012YA0](#) [EASV1803BA0](#) [LG M67K-H1J2-24-0-2-R18-Z](#) [LS A676-P2S1-1](#) [SML-512VWT86A](#) [SML-LX0606SISUGC/A](#) [SML-LXL1307SRC-TR](#) [SML-LXR851SIUPGUBC](#) [LT1ED53A](#) [FAT801-S](#) [AM27ZGC03](#) [APB3025SGNC](#) [APFA3010SURKCGKQBDC](#) [APHK1608VGCA](#) [APT2012QGW](#) [CLX6D-FKB-CN1R1H1BB7D3D3](#) [LTST-008BGEW](#) [LTST-C250KGKT](#) [LTW-010DCG](#) [LTW-020ZDCG](#) [LTW-21TS5](#) [LTW-220DS5](#) [JANTXM19500/521-02](#) [UYGT801-S](#) [42-21UYC/S530-A3/TR8](#) [LO T67F-V1AB-24-1](#) [YGFR411-H](#) [SML-LX0402IC-TR](#) [CMDA20AYAA7D1S](#) [CMDA16AYDR7A1X](#) [339-1SURSYGW/S530-A2](#) [598-8040-100F](#) [598-8070-100F](#) [598-8140-100F](#) [598-8610-200F](#) [EAST2012GA0](#) [EAPL3527GA5](#)