



# PRODUCT SPECIFICATION

**Model No.: FYLS-2835UWCXX-0.2W**

Features:
<ul style="list-style-type: none"> <li>■ SMD Type</li> <li>■ Size (mm): 3.50*2.80*0.80</li> <li>■ Emitting Color: White.</li> <li>■ Lens Color: Yellow Diffused.</li> <li>■ SMT package</li> <li>■ Suitable for all SMT assembly and soldering method</li> <li>■ Pb-free Reflow soldering application</li> <li>■ RoHS Compliant</li> <li>■ MSL:6</li> </ul>

Applications:
<ul style="list-style-type: none"> <li>■ Light Strips</li> <li>■ LCD Backlight</li> <li>■ Decorative lighting</li> <li>■ Indicators</li> <li>■ Interior automotive</li> <li>■ Illuminations</li> <li>■ Mobile Phones</li> </ul>



CUSTOMER APPROVED SIGNATURES	APPROVED BY	SALES BY	PREPARED BY
			

**NINGBO FORYARD OPTOELECTRONICS CO.,LTD.**

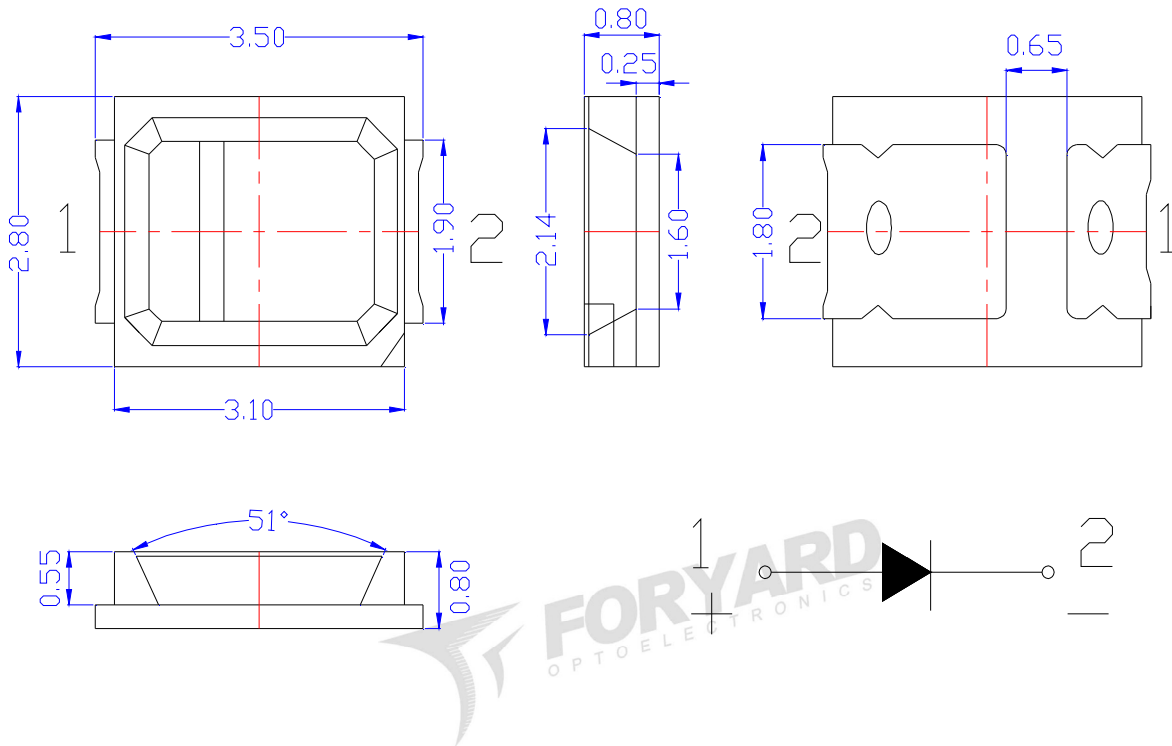
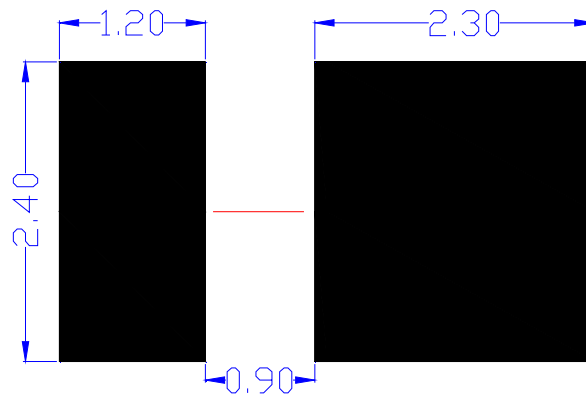
**Add:**No. 666 Jinghua Road, Hi-tech Park, Ningbo, Zhejiang, China

**Zip:**315103

**Tel:** 0086-574-87933652 87927870 87922206

**Fax:** 0086-574-87927917

**E-mail:**Sales@foryard.com ( General)

**Model No.: FYLS-2835UWCXX-0.2W**
**■ Mechanical Dimensions**

**■ Recommend Soldering pad design(unit=mm)**

**Notes:**

1. Dimension in millimeter, tolerance is  $\pm 0.10$ .
2. Angle:  $\pm 5^\circ$
3. The specifications, characteristics and technical data described in the datasheet are subject to change without prior notice.
4. The drawing is different from the actual one, please refer to the sample.

**Model No.: FYLS-2835UWCXX-0.2W**

**Absolute Maximum Ratings(Ta=25°C)**

Parameter	Symbol	MAX.	Unit
Power Dissipation	PD	200	mW
Peak Forward Current*	IFP	100	mA
Continuous Forward Current	IF	70	mA
Reverse Voltage	VR	5	V
Operating Temperature Range	Topr	-40~ +85	°C
Storage Temperature Range	Tstg	-40~ +85	°C

\*1/10 Duty Cycle, 0.1ms Pulse Width

**Typical Electrical & Optical Characteristics(Ta=25°C)**

Parameter	Symbol	Test Condition	Min.	Typ.	Max.	Unit
Forward Voltage	V <sub>F</sub>	IF=60mA	2.8	3	3.4	V
Reverse Current	I <sub>R</sub>	VR=5V	---	---	10	μA
Chromaticity coordinates	X	IF=60mA	---	0.38	---	---
	Y	IF=60mA	---	0.38	---	---
Color temperature	CCT	IF=60mA	2800	4000	6500	K
Luminous Flux	I <sub>v</sub>	IF=60mA	22	24	28	Lm
Color Rendering Index	Ra	IF=60mA	70	---	---	---
Viewing Angle	2θ <sub>1/2</sub>	IF=60mA	---	120	---	Deg

**Material**

Item	Reflector	Wire	Encapsulate	Chip
Material	APP	Gold	Silicone	InGaN/GaN

Note:

- 1.Luminous Intensity is based on the Foryard standards.
- 2.Pay attention about static for InGaN

**The Luminous Intensity Grade of Products(Unit: mcd) ;Test Condition: IF=60mA,Ta=25°C**

Code	B19	B20	B21
Luminous Intensity(Lm)	22~24	24~26	26~28

Tolerance of measurement of luminous intensity is ±15%

**Forward Voltage Grade of Products (Unit: V); Test Condition: IF=60mA,Ta=25°C**

Code	7	8	9	10	11	8
Forward Voltage(V)	2.8~2.9	2.9~3.0	3.0~3.1	3.1~3.2	3.2~3.3	3.3~.4

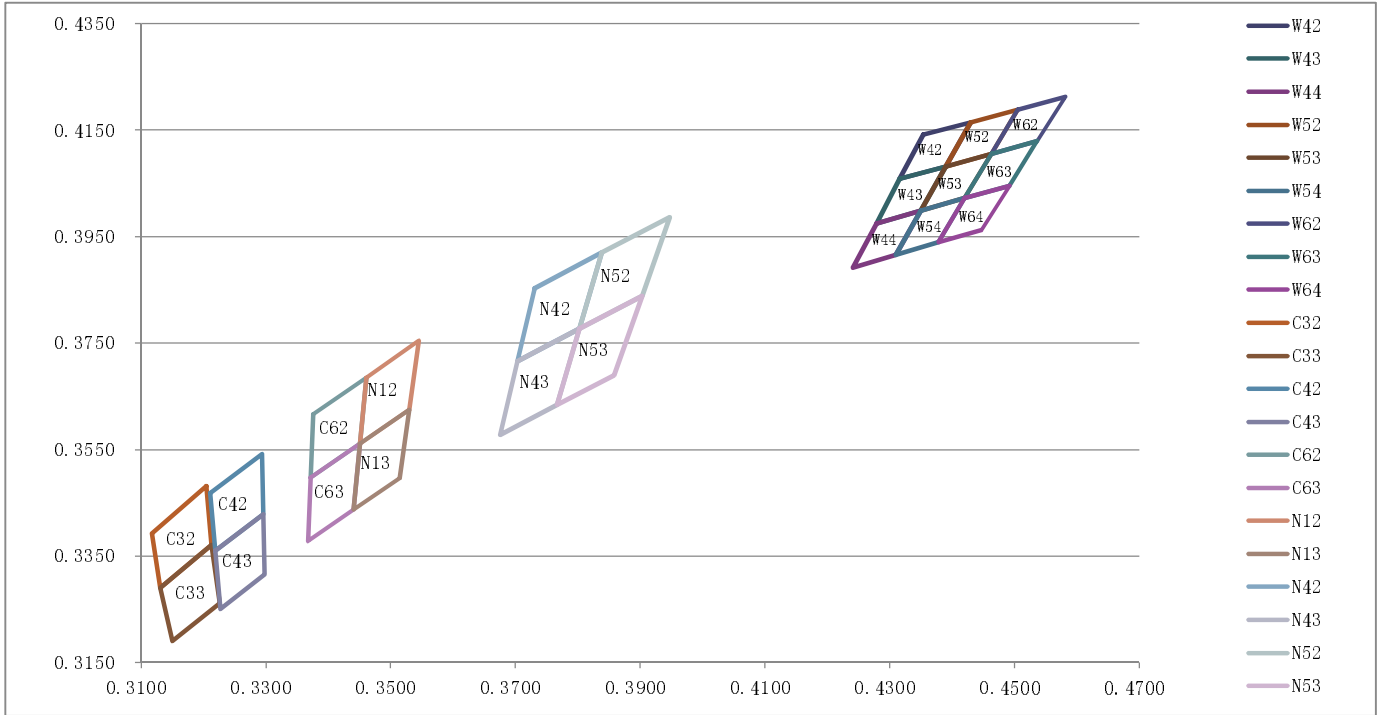
Tolerance of measurement of forward voltage is ±0.1V

Model No.:	Color temperature (CCT) Unit:K			Luminous Flux (Iv) Unit:Lm		
	Min.	Typ.	Max.	Min.	Typ.	Max.
FYLS-2835UWC60-0.2W	5700	6000	6500	24	26	---
FYLS-2835UWC50-0.2W	4750	5000	5300	24	26	---
FYLS-2835UWC40-0.2W	3800	4000	4250	22	24	---
FYLS-2835UWC30-0.2W	2800	3000	3100	22	24	---

**Model No.: FYLS-2835UWCXX-0.2W**

**■ Chromaticity Coordinate Grade of White Chip-LED Products**

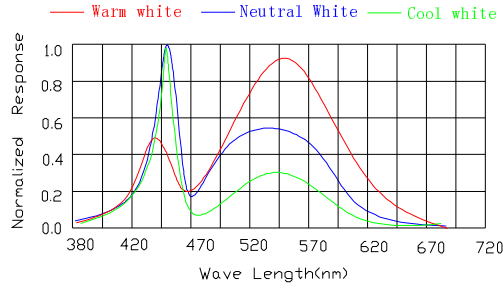
Test Condition: @IF=60mA Ta=25°C



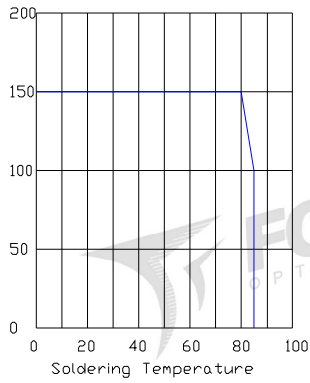
BIN	CIE	Top	Right	Bottom	Left	BIN	CIE	Top	Right	Bottom	Left
6000K											
C32	X	0.3205	0.3117	0.3131	0.3213	C42	X	0.3211	0.3294	0.3296	0.3219
	Y	0.3481	0.3393	0.3290	0.3371		Y	0.3468	0.3542	0.3429	0.3360
C33	X	0.3213	0.3131	0.3150	0.3226	C43	X	0.3219	0.3296	0.3298	0.3227
	Y	0.3371	0.3290	0.3190	0.3262		Y	0.3360	0.3429	0.3315	0.3251
5000K											
C62	X	0.3376	0.3461	0.3451	0.3372	N12	X	0.3461	0.3545	0.3530	0.3451
	Y	0.3616	0.3685	0.3561	0.3497		Y	0.3685	0.3754	0.3625	0.3561
C63	X	0.3372	0.3451	0.3441	0.3368	N13	X	0.3451	0.3530	0.3514	0.3441
	Y	0.3497	0.3561	0.3437	0.3378		Y	0.3561	0.3625	0.3496	0.3437
4000K											
N42	X	0.3731	0.3839	0.3803	0.3703	N52	X	0.3839	0.3947	0.3903	0.3803
	Y	0.3853	0.3920	0.3777	0.3716		Y	0.3920	0.3987	0.3839	0.3777
N43	X	0.3703	0.3803	0.3767	0.3675	N53	X	0.3803	0.3903	0.3858	0.3767
	Y	0.3716	0.3777	0.3634	0.3578		Y	0.3777	0.3839	0.3690	0.3634
3000K											
W42	X	0.4354	0.4430	0.4390	0.4316	W52	X	0.4430	0.4505	0.4463	0.4390
	Y	0.4142	0.4165	0.4082	0.4059		Y	0.4165	0.4189	0.4106	0.4082
W43	X	0.4316	0.4390	0.4350	0.4279	W53	X	0.4390	0.4463	0.4420	0.4350
	Y	0.4059	0.4082	0.3998	0.3975		Y	0.4082	0.4106	0.4022	0.3998
W44	X	0.4279	0.4350	0.4310	0.4241	W54	X	0.4350	0.4420	0.4378	0.4310
	Y	0.3975	0.3998	0.3915	0.3892		Y	0.3998	0.4022	0.3939	0.3915
W62	X	0.4505	0.4581	0.4536	0.4463	W63	X	0.4463	0.4536	0.4492	0.4420
	Y	0.4189	0.4212	0.4129	0.4106		Y	0.4106	0.4129	0.4045	0.4022
W64	X	0.4420	0.4492	0.4447	0.4378						
	Y	0.4022	0.4045	0.3962	0.3939						

**Model No.: FYLS-2835UWCXX-0.2W**

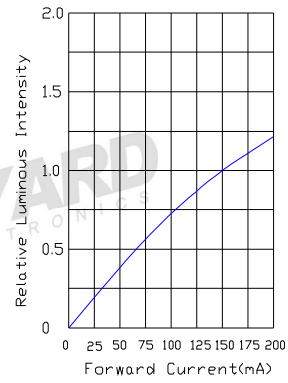
**Electrical-Optical Characteristics-**



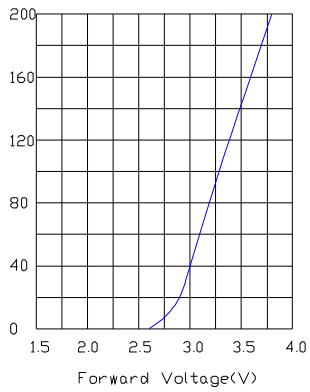
Soldering Temperature VS. Forward Current



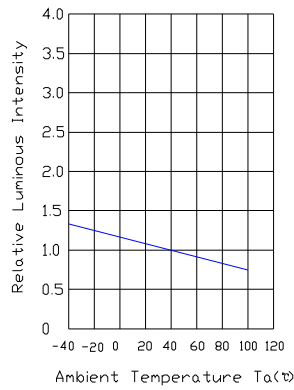
Forward Current VS. Relative Intensity



Forward Current vs. Forward Voltage

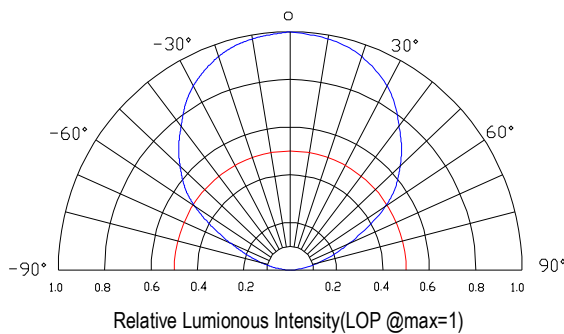


Ambient Temperature vs. Relative Intensity



**NOTE:25°C free air temperature unless otherwise specified**

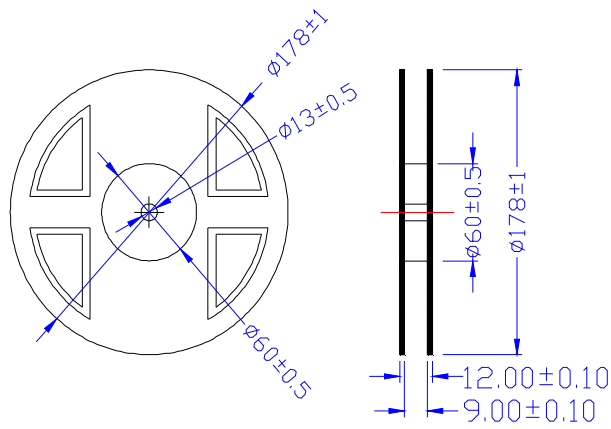
**Radiation pattern-**



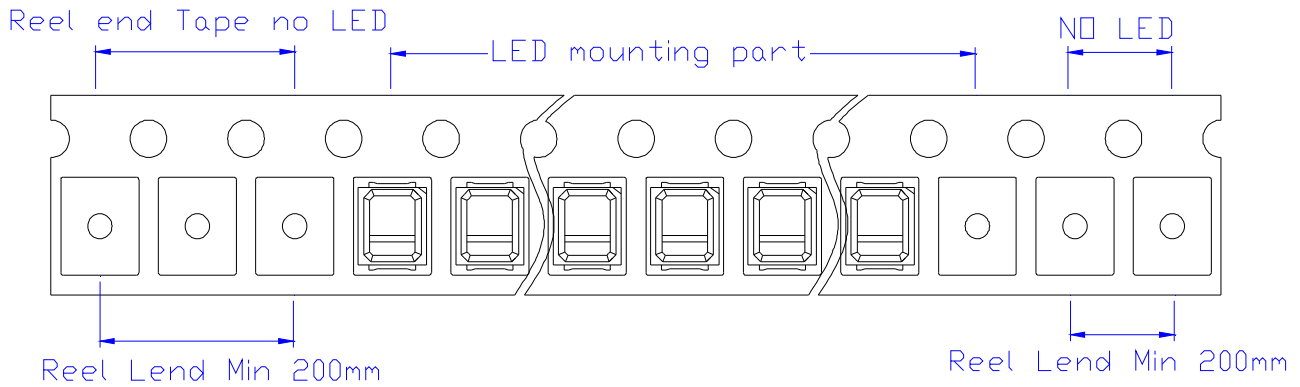
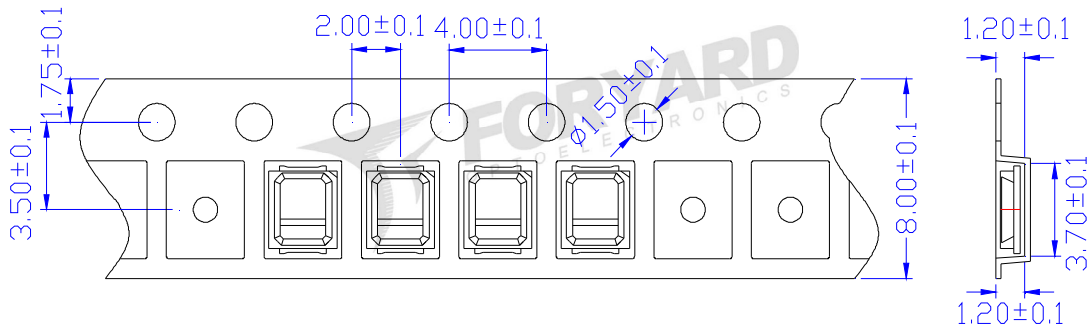
**Model No.: FYLS-2835UWCXX-0.2W**

■ **Package-**

1. Reel Dimension



2. Tape Dimension



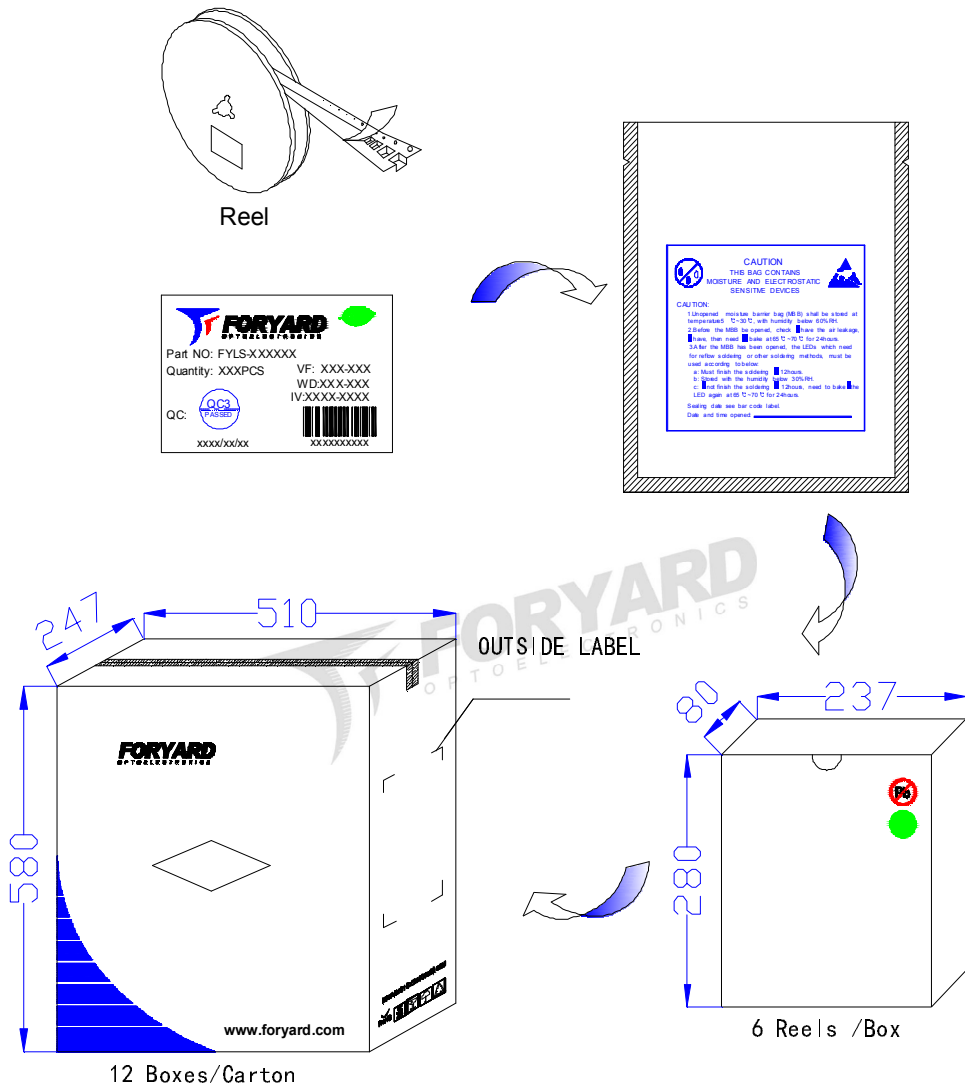
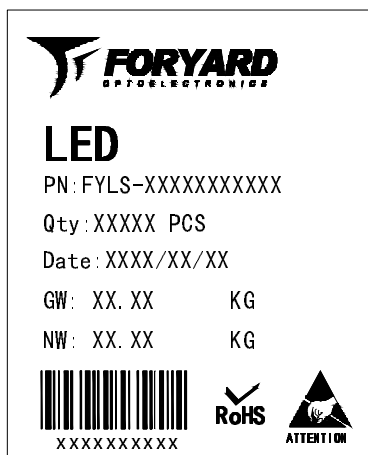
Notice:

1. Tolerance unless mentioned is  $\pm 0.2\text{mm}$

Model No.:	FYLS-2835UWCXX-0.2W
Date / Rev.	2020.07.21 / A

**Model No.: FYLS-2835UWCXX-0.2W**

3. Packing Diagram

**FORYARD**  
OPTOELECTRONICS

**LED**  
PN: FYLS-XXXXXXXXXX  
Qty: XXXXX PCS  
Date: XXXX/XX/XX  
GW: XX.XX KG  
NW: XX.XX KG

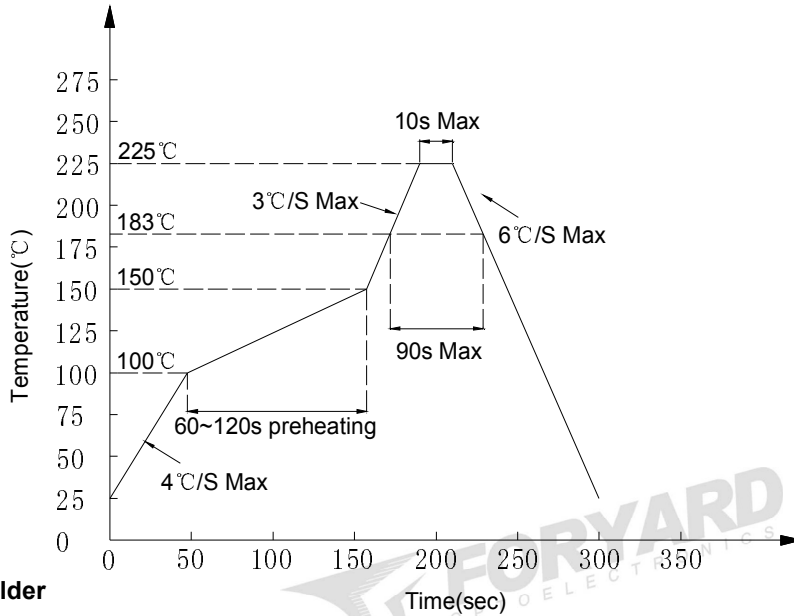
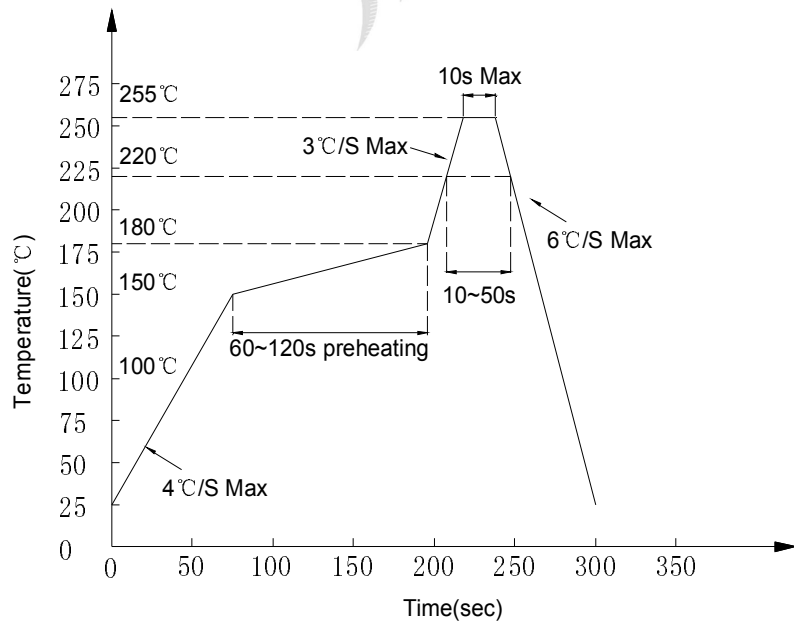
XXXXXXXXXX

RoHS ATTENTION

OUTSIDE LABEL

Notice:

- 1.Quantity:3000 PCS/Reel
- 2.The specifications are subject to change without notice. Please contact us for updated information.

**Model No.: FYLS-2835UWCXX-0.2W**
**■ Soldering Characteristics-**
**● Reflow Soldering**
**● Lead Solder**

**● Lead-free Solder**

**Notes:**

1. Although the recommended soldering conditions are specified in above table, reflow or hand soldering at the lowest possible temperature is desired for the LEDs.
2. A rapid-rate process is not recommended for cooling the LEDs down from the peak temperature.
3. All temperatures refer to solder Pad.

**● Hand Soldering**

Soldering temperature	300°C Max. (25W Max.)	One time only
Soldering time	5 ± 1sec	

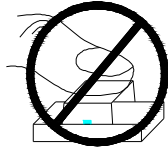


**Model No.: FYLS-2835UWCXX-0.2W**

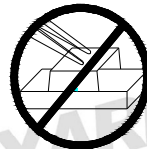
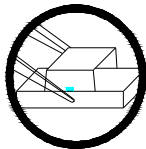
■ **Handling of Silicone Resin LEDs-**

● **Handling Indications**

When handling the product, do not touch it directly with bare hands as it may contaminate the surface and affect on optical characteristics. In the worst cases, excessive force to the product might result in catastrophic failure due to package damage and/or wire breakage.

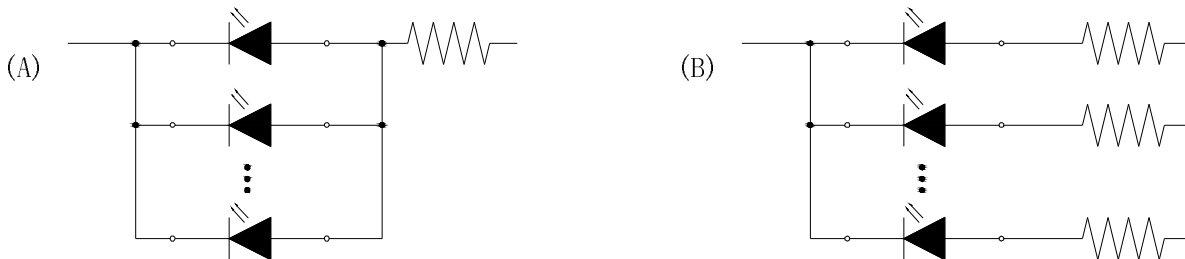


When handling the product with tweezers, LEDs should only be handled from the side and make sure that excessive force is not applied to the resin portion of the product. Failure to comply can cause the resin portion of the product to be cut, chipped, delaminated and/or deformed, and wire to be broken, and thus resulting in catastrophic failure.



■ **Recommended circuit-**

• In designing a circuit, the current through each LED must not exceed the absolute maximum rating specified for each LED. It is recommended to use Circuit B which regulates the current flowing through each LED. In the meanwhile, when driving LED with a constant voltage in Circuit A, the current through the LEDs may vary due to the variation in forward voltage (VF) of the LEDs. In the worst case, some LED may be subjected to stresses in excess of the absolute maximum rating.



• This product should be operated in forward bias. A driving circuit must be designed so that the product is not subjected to either forward or reverse voltage while it is off. In particular, if a reverse voltage is continuously applied to the product; such operation can cause migration resulting in LED damage.

■ **Storage-**

● **Storage Conditions**

1. Unopened moisture barrier bag (MBB) shall be stored at temperature below 5°C~30°C, with humidity below 60%RH.
2. Before the MBB be opened, check if have the air leakage, if have, then need to bake at 65°C~70°C for 24hours.
3. After the MBB has been opened, the LEDs which need for reflow soldering or other soldering methods, must be used according to below:
  - a: Must finish the soldering in 12hours
  - b: Stored with the humidity below 30%RH
  - c: If not finish the soldering in 12hours, need to bake the LED again at 65°C~70°C for 24hours

## X-ON Electronics

Largest Supplier of Electrical and Electronic Components

*Click to view similar products for [Standard LEDs - SMD category](#):*

*Click to view products by [Foryard manufacturer](#):*

Other Similar products are found below :

[LTST-C19GD2WT](#) [LTST-N683GBEW](#) [LTW-170ZDC](#) [LTW-M140SZS40](#) [598-8110-100F](#) [598-8170-100F](#) [598-8610-202F](#) [67-22VRVGC/TR8](#) [AAAF5060QBFSEEZGS](#) [ALMD-LB36-SV002](#) [APT1608QGW](#) [15-21UYC/S530-A3/TR8](#) [EAST2012YA0](#) [EASV1803BA0](#) [LGM67K-H1J2-24-0-2-R18-Z](#) [LS A676-P2S1-1](#) [SML-512VWT86A](#) [SML-LX0606SISUGC/A](#) [SML-LXL1307SRC-TR](#) [SML-LXR851SIUPGUBC](#) [LT1ED53A](#) [FAT801-S](#) [AM27ZGC03](#) [APB3025SGNC](#) [APFA3010SURKCGKQBDC](#) [APHK1608VGCA](#) [APT2012QGW](#) [CLX6D-FKB-CN1R1H1BB7D3D3](#) [LTST-008BGEW](#) [LTST-C250KGKT](#) [LTW-010DCG](#) [LTW-020ZDCG](#) [LTW-21TS5](#) [LTW-220DS5](#) [JANTXM19500/521-02](#) [UYGT801-S](#) [42-21UYC/S530-A3/TR8](#) [LO T67F-V1AB-24-1](#) [YGFR411-H](#) [SML-LX0402IC-TR](#) [CMDA20AYAA7D1S](#) [CMDA16AYDR7A1X](#) [339-1SURSYGW/S530-A2](#) [598-8040-100F](#) [598-8070-100F](#) [598-8140-100F](#) [598-8610-200F](#) [EAST2012GA0](#) [EAPL3527GA5](#) [SML-LXL1209SYC/ATR](#)