



# 安徽富信半导体科技有限公司

ANHUI FOSAN SEMICONDUCTOR TECHNOLOGY CO., LTD.

BAV19WS-BAV21WS

## SOD-323 Switching Diode 开关二极管

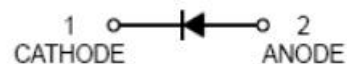
### ■ Features 特点

Fast Switching Speed 快的开关速度

Surface mount device 表面贴装器件

High Conductance 高电导率

Case 封装:SOD-323



### ■ Maximum Rating 最大额定值

( $T_A=25^{\circ}\text{C}$  unless otherwise noted 如无特殊说明, 温度为  $25^{\circ}\text{C}$ )

| Characteristic 特性参数                  | Symbol 符号       | BAV19WS                      | BAV20WS | BAV21WS | Unit 单位                     |
|--------------------------------------|-----------------|------------------------------|---------|---------|-----------------------------|
| Peak Reverse Voltage 反向峰值电压          | $V_{RRM}$       | 120                          | 200     | 250     | V                           |
| DC Reverse Voltage 直流反向电压            | $V_R$           | 120                          | 200     | 250     | V                           |
| RMS Reverse Voltage RMS 反向电压         | $V_{R(RMS)}$    | 100                          | 150     | 200     | V                           |
| Forward Rectified Current 正向整流电流     | $I_F$           | 0.25                         |         |         | A                           |
| Peak Surge Current 峰值浪涌电流            | $I_{FSM}$       | @1S                          | 1       |         | A                           |
|                                      |                 | @1mS                         | 3       |         |                             |
|                                      |                 | @1μS                         | 9       |         |                             |
| Power Dissipation 耗散功率               | $P_D$           | 200                          |         |         | mW                          |
| Thermal Resistance J-A 结到环境热阻        | $R_{\theta JA}$ | 625                          |         |         | $^{\circ}\text{C}/\text{W}$ |
| Junction/Storage Temperature 结温/储藏温度 | $T_J, T_{stg}$  | -50to+150 $^{\circ}\text{C}$ |         |         | $^{\circ}\text{C}$          |

### ■ Electrical Characteristics 电特性

( $T_A=25^{\circ}\text{C}$  unless otherwise noted 如无特殊说明, 温度为  $25^{\circ}\text{C}$ )

| Characteristic 特性参数     | Symbol 符号 | BAV19WS | BAV20WS | BAV21WS | Unit 单位       | Condition 条件                   |
|-------------------------|-----------|---------|---------|---------|---------------|--------------------------------|
| Reverse Voltage 反向电压    | $V_R$     | 120     | 200     | 250     | V             | $I_R=1\text{mA}$               |
| Forward Voltage 正向电压    | $V_F$     | 1.25    |         |         | V             | $I_F=0.2\text{A}$              |
| Reverse Current 反向电流    | $I_R$     | 0.1     |         |         | $\mu\text{A}$ | $V_R=V_{RRM}$                  |
| Reverse Recovery Time   | $T_{rr}$  | 50      |         |         | nS            |                                |
| Diode Capacitance 二极管电容 | $C_T$     | 5       |         |         | pF            | $V_R=4\text{V}, f=1\text{MHz}$ |



## ■ Typical Characteristic Curve 典型特性曲线

Fig.1 Forward Current Derating Curve

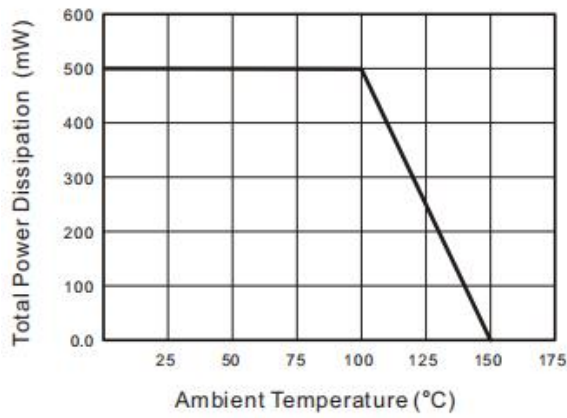


Fig.2 Typical Reverse Characteristics

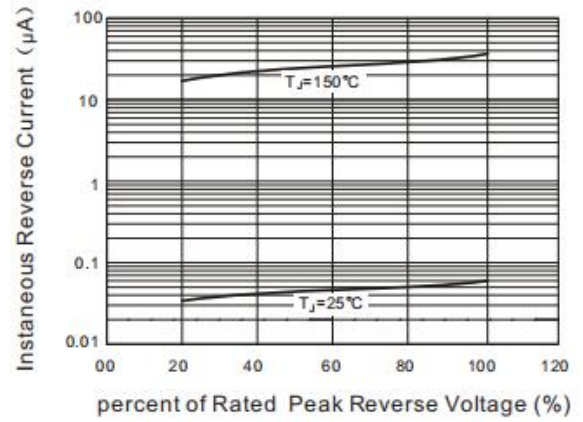


Fig.3 Typical Instantaneous Forward Characteristics

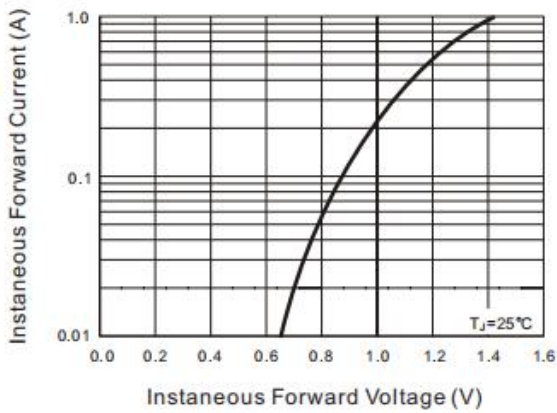
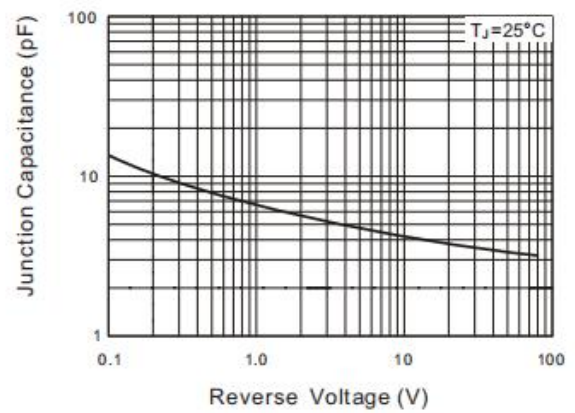
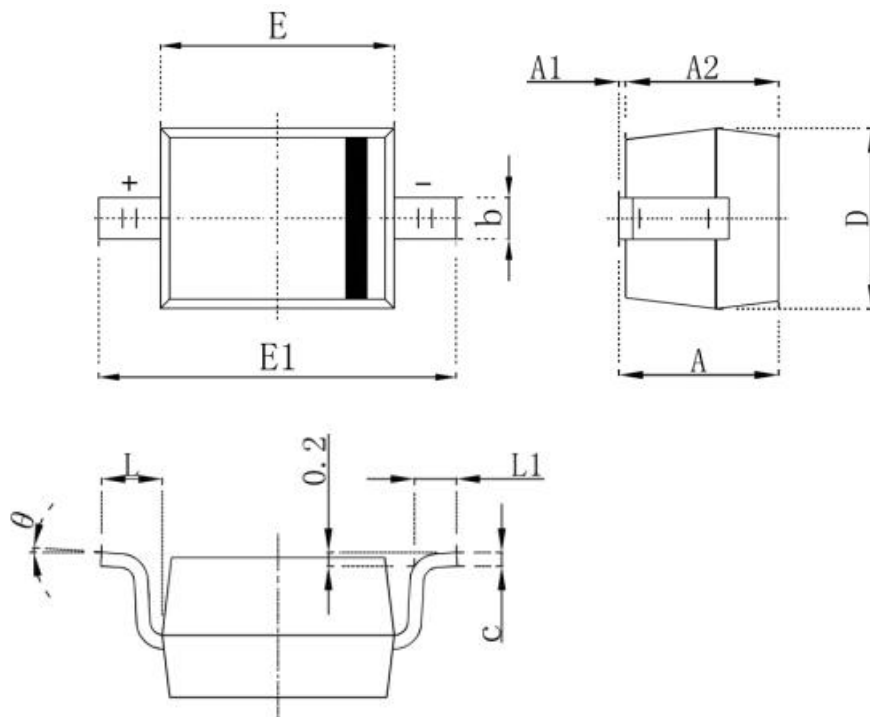


Fig.4 Typical Junction Capacitance



## ■ Dimension 外形封装尺寸 SOD-323



| Symbol | Dimensions In Millimeters |       | Dimensions In Inches |       |
|--------|---------------------------|-------|----------------------|-------|
|        | Min.                      | Max.  | Min.                 | Max.  |
| A      |                           | 1.000 |                      | 0.039 |
| A1     | 0.000                     | 0.100 | 0.000                | 0.004 |
| A2     | 0.800                     | 0.900 | 0.031                | 0.035 |
| b      | 0.250                     | 0.350 | 0.010                | 0.014 |
| c      | 0.080                     | 0.150 | 0.003                | 0.006 |
| D      | 1.200                     | 1.400 | 0.047                | 0.055 |
| E      | 1.600                     | 1.800 | 0.063                | 0.071 |
| E1     | 2.250                     | 2.750 | 0.100                | 0.108 |
| L      | 0.475 REF                 |       | 0.019 REF            |       |
| L1     | 0.250                     | 0.400 | 0.010                | 0.016 |
| θ      | 0°                        | 8°    | 0°                   | 8°    |

## X-ON Electronics

Largest Supplier of Electrical and Electronic Components

*Click to view similar products for [Diodes - General Purpose, Power, Switching category](#):*

*Click to view products by [FOSAN manufacturer](#):*

Other Similar products are found below :

[MCL4151-TR3](#) [MMBD3004S-13-F](#) [RD0306T-H](#) [1N3611](#) [NTE156A](#) [NTE574](#) [NTE6244](#) [1SS193,LF](#) [1SS400CST2RA](#) [SDAA13](#)  
[SHN2D02FUTW1T1G](#) [LS4151GS08](#) [1N4449](#) [1N456A](#) [1N4934-E3/73](#) [1N914BTR](#) [RFUH20TB3S](#) [D291S45T](#) [BAV300-TR](#) [BAW56DWQ-](#)  
[7-F](#) [BAW56M3T5G](#) [BAW75-TAP](#) [MM230L-CAA](#) [IDW40E65D1](#) [JAN1N3600](#) [JAN1N4454UR-1](#) [LL4151-GS18](#) [SMMSD4148T3G](#)  
[BYW95B/A52A](#) [NSVDAN222T1G](#) [CDSZC01100-HF](#) [LL4150-M-08](#) [1N4454-TR](#) [BAV70HDW-7](#) [BAS28-7](#) [JANTX1N6640](#) [BAW56HDW-](#)  
[13](#) [BAS28 TR](#) [VS-HFA04SD60STR-M3](#) [NSVM1MA152WKT1G](#) [1SS388-TP](#) [RGP30D-E3/73](#) [VS-8EWF02S-M3](#) [BAV99TQ-13-F](#)  
[BAV99HDW-13](#) [MMDB30-E28X](#) [IDP20C65D2XKSA1](#) [LS4148](#) [IDV15E65D2](#) [NSVM1MA152WAT1G](#)