



安徽富信半导体科技有限公司

ANHUI FOSAN SEMICONDUCTOR TECHNOLOGY CO., LTD.

HT75XX

TO-92 SOT-89 SOT-23-3L LDO High Input Voltage Three Terminal Regulator 低落差高电压三端稳压 IC

■ Features 特点

1.GND 2.Vi 3.Vo

Low Dropout Voltage 低落差电压: Type 典型值 0.1V

Low Quiescent Current 低静态电流: < 3μA

High Input Voltage 高输入电压: Up to 高达 30V

High Precision Output Voltage 高精度输出电压: ±3%

■ Application 应用

Battery Power Supply Equipment 电池供电设备

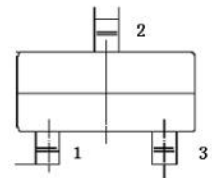
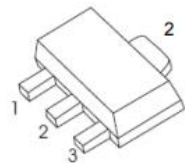
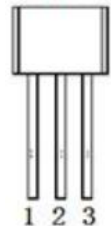
Communication Equipment 通信设备

Audio/Video Equipment 音视频设备

Monitor Equipment 监控设备

■ Absolute Maximum Ratings 最大额定值

($T_A=25^{\circ}\text{C}$ unless otherwise noted 如无特殊说明, 温度为 25°C)



Characteristic 特性参数	Symbol 符号	Rat 额定值	Unit 单位
Input Voltage 输入电压	V_i	24	V
Operating Current 工作电流	I_o	100	mA
Power dissipation 耗散功率	P_D	400	mW
Thermal Resistance Junction-Ambient 热阻	$R_{\theta JA}$	306	$^{\circ}\text{C}/\text{W}$
Solder Temperature/Time 焊接温度/时间	T_d	260/10	$^{\circ}\text{C}/\text{S}$
Operating Ambient Temperature 工作温度	T_A	-25~+70	$^{\circ}\text{C}$
Junction and Storage Temperature 结温和储藏温度	T_J, T_{stg}	-50to+125 $^{\circ}\text{C}$	



■ Electrical Characteristics 电特性

HT7530-1 (T_{opt}=25°C)

Characteristic 特性参数	Symbol 符号	Test Condition 测试条件	Min 最小值	Type 典型值	Max 最大值	Unit 单位
Output Voltage 输出电压	V _O	I _O =10mA V _I =5V	2.91	3	3.09	V
Output Current 输出电流	I _O	V _I =5V	60	100		mA
Dropout Voltage 落差电压	V _D	I _O =1mA		100		mV
Quiescent Current 静态电流	I _q	V _I =5V I _O =0		2	3	μA
Line Regulation 线性调整	$\Delta V_O / \Delta V_I * V_O$	I _O =1mA 4 ≤ V _I ≤ 24		0.2		%/V
Load Regulation 负载调整	ΔV_O	1mA ≤ I _O ≤ 20mA V _I =5V		100	150	mV
Temperature Finger 温度系数	$\Delta V_O / \Delta T_a$	I _O =10mA V _I =5V 0°C ≤ T _a ≤ 70°C		±0.45		mV/°C

HT7533-1 (T_{opt}=25°C)

Characteristic 特性参数	Symbol 符号	Test Condition 测试条件	Min 最小值	Type 典型值	Max 最大值	Unit 单位
Output Voltage 输出电压	V _O	I _O =10mA V _I =5.5V	3.201	3.3	3.399	V
Output Current 输出电流	I _O	V _I =5.5V	60	100		mA
Dropout Voltage 落差电压	V _D	I _O =1mA		100		mV
Quiescent Current 静态电流	I _q	V _I =5.5V I _O =0		2	3	μA
Line Regulation 线性调整	$\Delta V_O / \Delta V_I * V_O$	I _O =1mA 4.5 ≤ V _I ≤ 24		0.2		%/V
Load Regulation 负载调整	ΔV_O	1mA ≤ I _O ≤ 20mA V _I =5.5V		100	150	mV
Temperature Finger 温度系数	$\Delta V_O / \Delta T_a$	I _O =10mA V _I =5.5V 0°C ≤ T _a ≤ 70°C		±0.5		mV/°C



■ Electrical Characteristics 电特性

HT7536-1 (T_{opt}=25°C)

Characteristic 特性参数	Symbol 符号	Test Condition 测试条件	Min 最小值	Type 典型值	Max 最大值	Unit 单位
Output Voltage 输出电压	V _O	I _O =10mA V _I =5.6V	3.492	3.6	3.708	V
Output Current 输出电流	I _O	V _I =5.6V	60	100		mA
Dropout Voltage 落差电压	V _D	I _O =1mA		100		mV
Quiescent Current 静态电流	I _q	V _I =5.6V I _O =0		2	3	μA
Line Regulation 线性调整	$\Delta V_O / \Delta V_I * V_O$	I _O =1mA 4.6 ≤ V _I ≤ 24		0.2		%/V
Load Regulation 负载调整	ΔV_O	1mA ≤ I _O ≤ 20mA V _I =5.6V		100	150	mV
Temperature Finger 温度系数	$\Delta V_O / \Delta T_a$	I _O =10mA V _I =5.6V 0°C ≤ T _a ≤ 70°C		±0.6		mV/°C

HT7540-1 (T_{opt}=25°C)

Characteristic 特性参数	Symbol 符号	Test Condition 测试条件	Min 最小值	Type 典型值	Max 最大值	Unit 单位
Output Voltage 输出电压	V _O	I _O =10mA V _I =6V	3.88	4	4.12	V
Output Current 输出电流	I _O	V _I =6V	60	100		mA
Dropout Voltage 落差电压	V _D	I _O =1mA		100		mV
Quiescent Current 静态电流	I _q	V _I =6V I _O =0		2	3	μA
Line Regulation 线性调整	$\Delta V_O / \Delta V_I * V_O$	I _O =1mA 5 ≤ V _I ≤ 24		0.2		%/V
Load Regulation 负载调整	ΔV_O	1mA ≤ I _O ≤ 20mA V _I =6V		100	150	mV
Temperature Finger 温度系数	$\Delta V_O / \Delta T_a$	I _O =10mA V _I =6V 0°C ≤ T _a ≤ 70°C		±0.7		mV/°C



■Electrical Characteristics 电特性

HT7544-1 (T_{opt}=25°C)

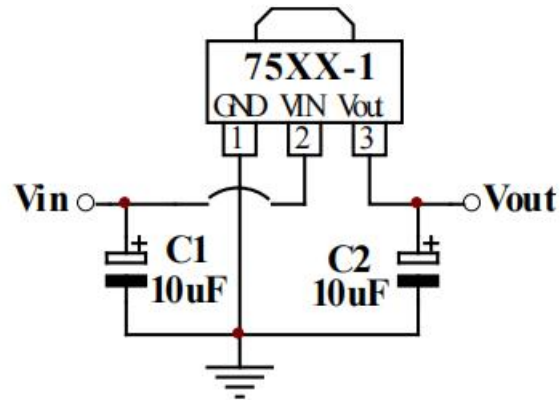
Characteristic 特性参数	Symbol 符号	Test Condition 测试条件	Min 最小值	Type 典型值	Max 最大值	Unit 单位
Output Voltage 输出电压	V _O	I _O =10mA V _I =6.4V	4.268	4.4	4.532	V
Output Current 输出电流	I _O	V _I =6.4V	60	100		mA
Dropout Voltage 落差电压	V _D	I _O =1mA		100		mV
Quiescent Current 静态电流	I _q	V _I =6.4V I _O =0		2	3	μA
Line Regulation 线性调整	$\Delta V_O / \Delta V_I * V_O$	I _O =1mA 5.4 ≤ V _I ≤ 24		0.2		%/V
Load Regulation 负载调整	ΔV_O	1mA ≤ I _O ≤ 20mA V _I =6.4V		100	150	mV
Temperature Finger 温度系数	$\Delta V_O / \Delta T_a$	I _O =10mA V _I =6.4V 0°C ≤ T _a ≤ 70°C		±0.7		mV/°C

HT7550-1 (T_{opt}=25°C)

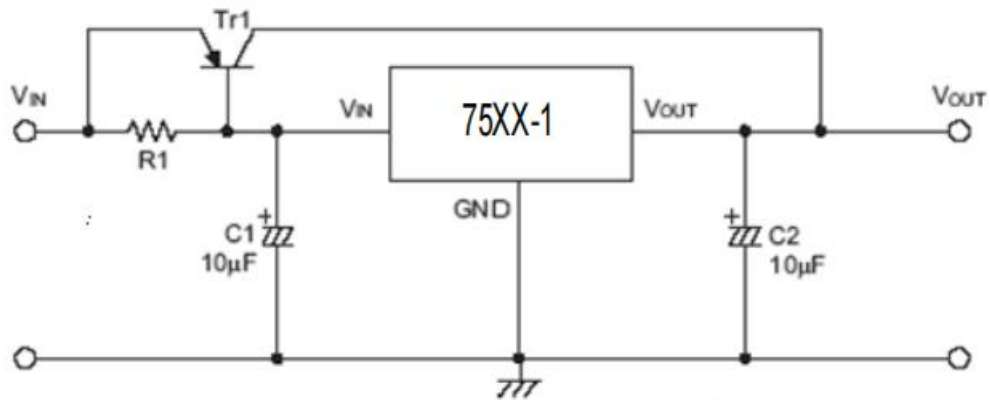
Characteristic 特性参数	Symbol 符号	Test Condition 测试条件	Min 最小值	Type 典型值	Max 最大值	Unit 单位
Output Voltage 输出电压	V _O	I _O =10mA V _I =7V	4.85	5	5.15	V
Output Current 输出电流	I _O	V _I =7V	60	100		mA
Dropout Voltage 落差电压	V _D	I _O =1mA		100		mV
Quiescent Current 静态电流	I _q	V _I =7V I _O =0		2	3	μA
Line Regulation 线性调整	$\Delta V_O / \Delta V_I * V_O$	I _O =1mA 6 ≤ V _I ≤ 24		0.2		%/V
Load Regulation 负载调整	ΔV_O	1mA ≤ I _O ≤ 20mA V _I =7V		100	150	mV
Temperature Finger 温度系数	$\Delta V_O / \Delta T_a$	I _O =10mA V _I =7V 0°C ≤ T _a ≤ 70°C		±0.75		mV/°C

■ Application Circuit 应用电路

Basic Circuit 基本电路

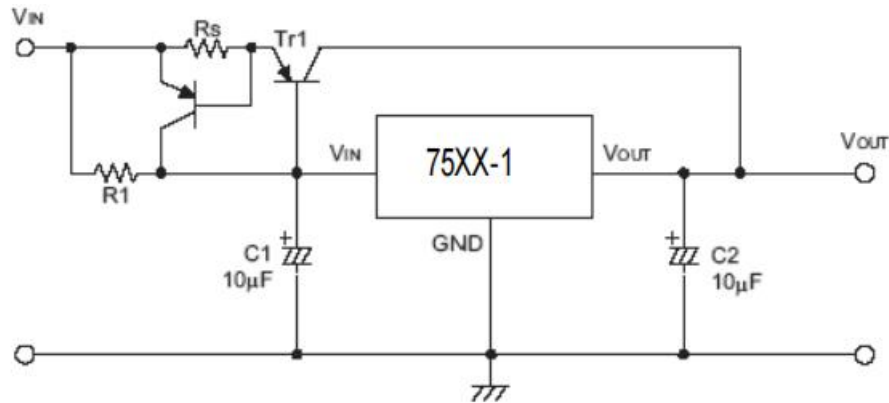


High Output Current Regulator Circuit 高输出电流稳压电路

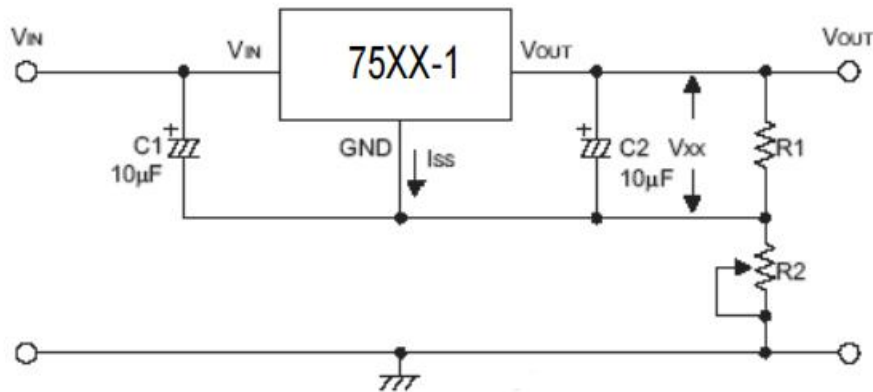


Application Circuit 应用电路

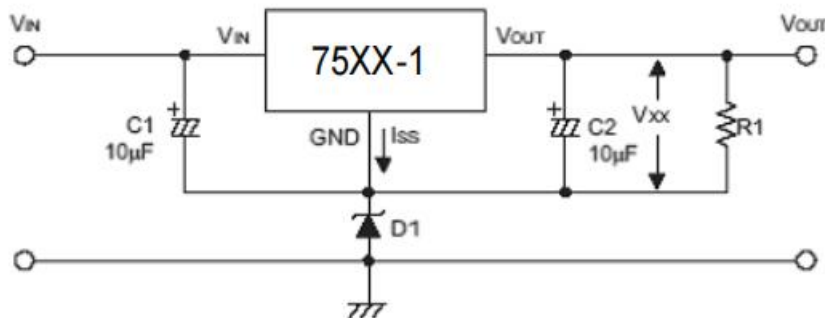
Shortage Protection Circuit 短路保护电路



High Output Voltage Circuit 高输出电压电路 $V_{OUT} = V_{XX}(1 + R2/R1) + I_q * R2$

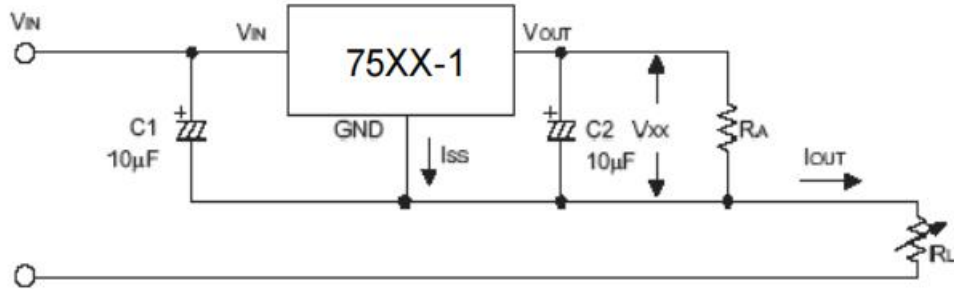


High Output Voltage Circuit 高输出电压电路 $V_{OUT} = V_{XX} + V_{D1}$

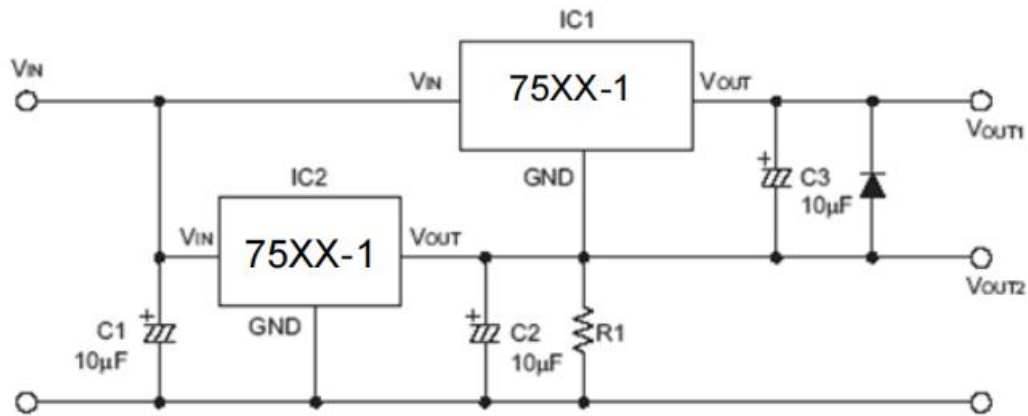


■ Application Circuit 应用电路

Current Adjustment Circuit 电流调节电路 $I_{OUT} = V_{XX}/R_X + I_q$

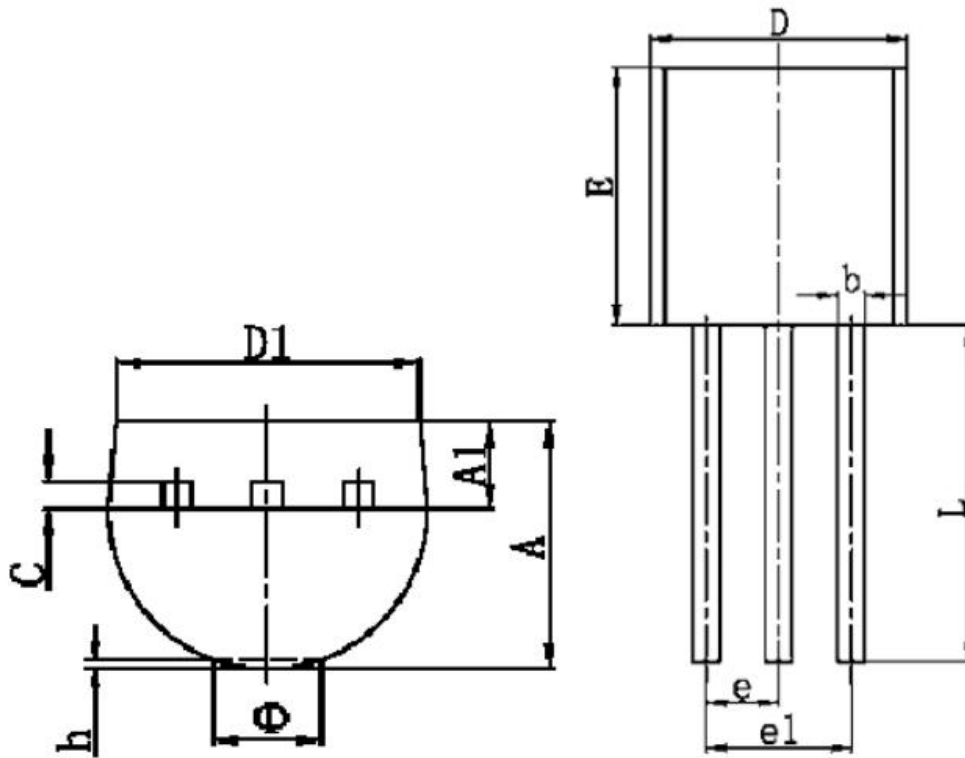


Dual Output Circuit 双端输出电路



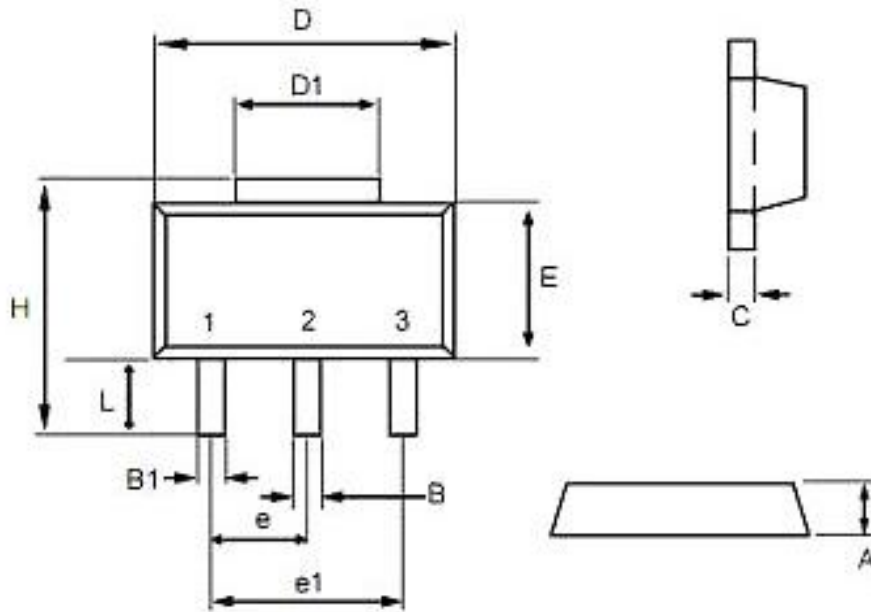
■TO-92 Dimension 外形封装尺寸

TO-92



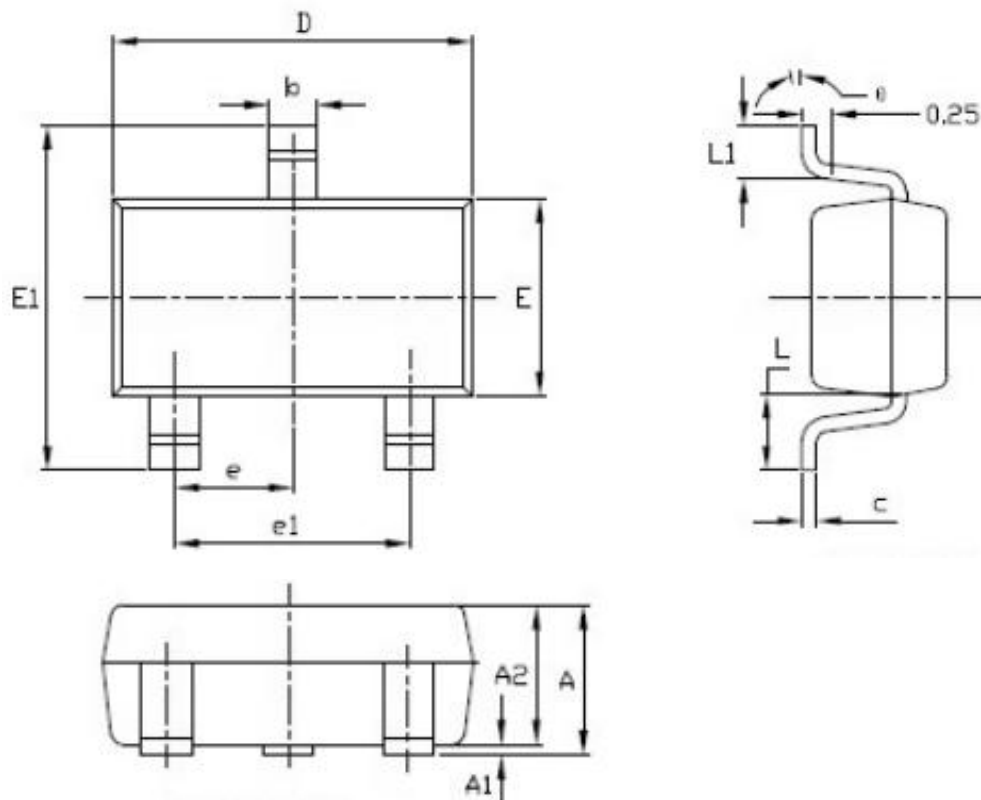
符号	最小值 (mm)	最大值 (mm)
A	3.300	3.700
A1	1.100	1.400
b	0.380	0.550
c	0.360	0.510
D	4.400	4.700
D1	3.430	
E	4.300	4.700
e	1.270 TYP	
e1	2.440	2.640
L	14.100	14.500
Φ		1.600
h	0.000	0.380

■SOT-89 Dimension 外形封装尺寸



Dim	min	max
A	1.40	1.60
B	0.40	0.56
B1	0.35	0.48
C	0.35	0.44
D	4.40	4.60
D1	1.35	1.83
e	1.50 BSC	
e1	3.00 BSC	
E	2.29	2.60
H	3.75	4.25
L	0.80	1.20

■SOT-23-3L Dimension 外形封装尺寸



Symbol	Dimensions In Millimeters		Dimensions In Inches	
	Min	Max	Min	Max
A	1.050	1.250	0.041	0.049
A1	0.000	0.100	0.000	0.004
A2	1.050	1.150	0.041	0.045
b	0.300	0.500	0.012	0.020
c	0.100	0.200	0.004	0.008
D	2.820	3.020	0.111	0.119
E	1.500	1.700	0.059	0.067
E1	2.650	2.950	0.104	0.116
e	0.950TYP		0.037TYP	
e1	1.800	2.000	0.071	0.079
L	0.600REF		0.024REF	
L1	0.300	0.600	0.012	0.024
θ	0°	8°	0°	8°

X-ON Electronics

Largest Supplier of Electrical and Electronic Components

Click to view similar products for [Linear Voltage Regulators](#) category:

Click to view products by [FOSAN](#) manufacturer:

Other Similar products are found below :

[LV5684PVD-XH](#) [MCDTSA6-2R](#) [L7815ACV-DG](#) [714954EB](#) [ZMR500QFTA](#) [BA033LBSG2-TR](#) [LV5680P-E](#) [L79M05T-E](#) [L78LR05D-MA-E](#) [NCV317MBTG](#) [NTE7227](#) [MP2018GZD-33-P](#) [MP2018GZD-5-P](#) [LV5680NPVC-XH](#) [LT1054CN8](#) [ZTS6538SE](#) [UA78L09CLP](#) [UA78L09CLPR](#) [CAT6221-PPTD-GT3](#) [MC78M09CDTRK](#) [NCV51190MNTAG](#) [78M05](#) [HT7150-1](#) [UM1540DB-18](#) [XC6234H281VR-G](#) [WL2834CA-6/TR](#) [TPL730F33-5TR](#) [TLS850F1TA](#) [V50](#) [TPS549B22RVFR](#) [UM1540DB-33](#) [WL9200P3-50B](#) [WL9100P3-33B](#) [WL9005D4-33](#) [XC6219B152MR](#) [WL2855K33-3/TR](#) [PJ54BM33SE](#) [PJ9500M25SA](#) [MD7218E33PC1](#) [H7533-2PR](#) [SK7812AU](#) [SD1A30](#) [78L33](#) [TP78L33T3](#) [L78L33ACUTR](#) [SK6513ST3A-50](#) [SK6054D4-09](#) [SK6054D4-18](#) [SK6054D4-11](#) [SK6054D4-10](#) [LM79L12F](#)