



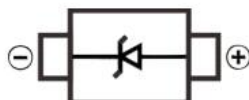
安徽富信半导体科技有限公司

ANHUI FOSAN SEMICONDUCTOR TECHNOLOGY CO., LTD.

MM3Z2V0-MM3Z75

SOD-323 Surface Mounted Zener Diode 表面贴装稳压二极管

■SOD-323 Internal Configuration 内部结构

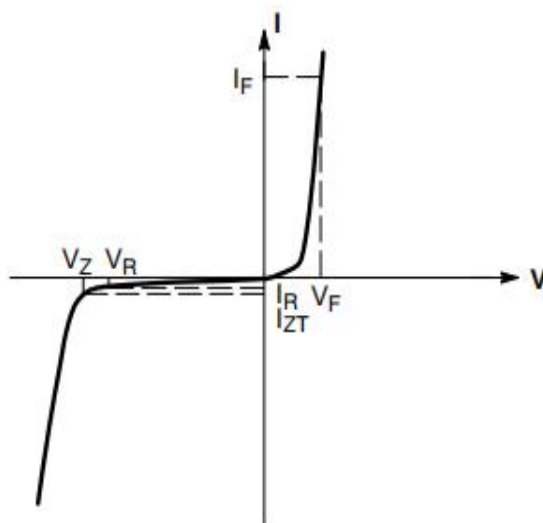


SOD-323

■Features 特点

| Characteristic 特性参数 | Symbol 符号 | Max 最大值 | Unit 单位 |
|--|-----------------------------|---|---------------------------|
| Power dissipation 耗散功率 | $P_D(T_a=25^\circ\text{C})$ | 300 | mW |
| Forward Voltage 正向电压 | $V_F(@ I_F=10\text{mA})$ | 0.9 | V |
| Reverse Voltage 反向电压 | V_Z | 2.0-75 | V |
| Thermal Resistance J-A 结到环境热阻 | $R_{\theta JA}$ | 417 | $^\circ\text{C}/\text{W}$ |
| Junction and Storage Temperature 结温和储藏温度 | T_J, T_{stg} | 150 $^\circ\text{C}$, -55to+150 $^\circ\text{C}$ | |

| ELECTRICAL CHARACTERISTICS | |
|----------------------------|-------------------------------------|
| SYMBOL | PARAMETER |
| V_Z | Reverse Zener voltage at I_{ZT} |
| I_{ZT} | Reverse current |
| Z_{ZT} | Maximum Zener impedance at I_{ZT} |
| I_{ZK} | Reverse current |
| Z_{ZK} | Maximum Zener impedance at I_{ZK} |
| I_R | Reverse leakage current at V_R |
| V_R | Reverse voltage |
| I_F | Forward current |
| V_F | Forward voltage at I_F |
| I_{ZM} | Maximum DC Zener current |



■Electrical Characteristics 电特性

($T_A=25^\circ\text{C}$ unless otherwise noted 如无特殊说明, 温度为 25 $^\circ\text{C}$)



安徽富信半导体科技有限公司

ANHUI FOSAN SEMICONDUCTOR TECHNOLOGY CO., LTD.

| Type Number | V _Z (V)@I _{ZT} | | | I _{ZT} (mA) | Z _{ZT} (Ω) @I _{ZT} | I _R (uA) @V _R | V _R (V) | Marking |
|-------------|------------------------------------|------|------|----------------------|--------------------------------------|-------------------------------------|--------------------|---------|
| | Nom. | Min. | Max. | | | | | |
| MM3Z2V0 | 2.0 | 1.8 | 2.15 | 5 | 100 | 120 | 0.5 | B0 |
| MM3Z2V2 | 2.2 | 2.08 | 2.33 | 5 | 100 | 120 | 0.7 | C0 |
| MM3Z2V4 | 2.4 | 2.28 | 2.56 | 5 | 100 | 120 | 1 | 1C |
| MM3Z2V7 | 2.7 | 2.5 | 2.9 | 5 | 110 | 120 | 1 | 1D |
| MM3Z3V0 | 3.0 | 2.8 | 3.2 | 5 | 120 | 50 | 1 | 1E |
| MM3Z3V3 | 3.3 | 3.1 | 3.5 | 5 | 130 | 20 | 1 | 1F |
| MM3Z3V6 | 3.6 | 3.4 | 3.8 | 5 | 130 | 10 | 1 | 1H |
| MM3Z3V9 | 3.9 | 3.7 | 4.1 | 5 | 130 | 5 | 1 | 1J |
| MM3Z4V3 | 4.3 | 4.0 | 4.6 | 5 | 130 | 5 | 1 | 1K |
| MM3Z4V7 | 4.7 | 4.4 | 5.0 | 5 | 130 | 2 | 1 | 1M |
| MM3Z5V1 | 5.1 | 4.8 | 5.4 | 5 | 130 | 2 | 1 | 1N |
| MM3Z5V6 | 5.6 | 5.2 | 6.0 | 5 | 80 | 1 | 2 | 1P |
| MM3Z6V2 | 6.2 | 5.8 | 6.6 | 5 | 50 | 1 | 3 | 1R |
| MM3Z6V8 | 6.8 | 6.4 | 7.2 | 5 | 30 | 0.5 | 4 | 1X |
| MM3Z7V5 | 7.5 | 7.0 | 7.9 | 5 | 30 | 0.5 | 5 | 1Y |
| MM3Z8V2 | 8.2 | 7.7 | 8.7 | 5 | 30 | 0.5 | 6 | 1Z |
| MM3Z9V1 | 9.1 | 8.5 | 9.6 | 5 | 30 | 0.5 | 7 | 2A |
| MM3Z10 | 10 | 9.4 | 10.6 | 5 | 30 | 0.1 | 7 | 2B |
| MM3Z11 | 11 | 10.4 | 11.6 | 5 | 30 | 0.1 | 8 | 2C |
| MM3Z12 | 12 | 11.4 | 12.7 | 5 | 35 | 0.1 | 9 | 2D |
| MM3Z13 | 13 | 12.4 | 14.1 | 5 | 35 | 0.1 | 10 | 2E |
| MM3Z15 | 15 | 13.8 | 16.2 | 5 | 40 | 0.1 | 11 | 2F |
| MM3Z16 | 16 | 15.3 | 17.1 | 5 | 40 | 0.1 | 12 | 2H |
| MM3Z18 | 18 | 16.8 | 19.1 | 5 | 45 | 0.1 | 13 | 2J |
| MM3Z20 | 20 | 18.8 | 21.2 | 5 | 50 | 0.1 | 15 | 2K |
| MM3Z22 | 22 | 20.8 | 23.3 | 5 | 55 | 0.1 | 17 | 2M |
| MM3Z24 | 24 | 22.8 | 25.6 | 5 | 60 | 0.1 | 18 | 2N |
| MM3Z27 | 27 | 25.1 | 28.9 | 2 | 70 | 0.1 | 21 | 2P |
| MM3Z30 | 30 | 28 | 32 | 2 | 80 | 0.1 | 23 | 2R |
| MM3Z33 | 33 | 31 | 35 | 2 | 80 | 0.1 | 25 | 2X |
| MM3Z36 | 36 | 34 | 38 | 2 | 90 | 0.1 | 27 | 2Y |
| MM3Z39 | 39 | 37 | 41 | 2 | 100 | 0.1 | 30 | 2Z |
| MM3Z43 | 43 | 40 | 46 | 2 | 130 | 0.1 | 32 | 3A |
| MM3Z47 | 47 | 44 | 50 | 2 | 150 | 0.1 | 35 | 3B |
| MM3Z51 | 51 | 48 | 54 | 2 | 180 | 0.1 | 38 | 3C |
| MM3Z56 | 56 | 52 | 60 | 2 | 200 | 0.1 | 42 | 3D |
| MM3Z62 | 62 | 58 | 66 | 2 | 215 | 0.1 | 47 | 3E |
| MM3Z68 | 68 | 64 | 72 | 2 | 240 | 0.1 | 52 | 3F |
| MM3Z75 | 75 | 70 | 79 | 2 | 265 | 0.1 | 56 | 3H |

■ Typical Characteristic Curve 典型特性曲线

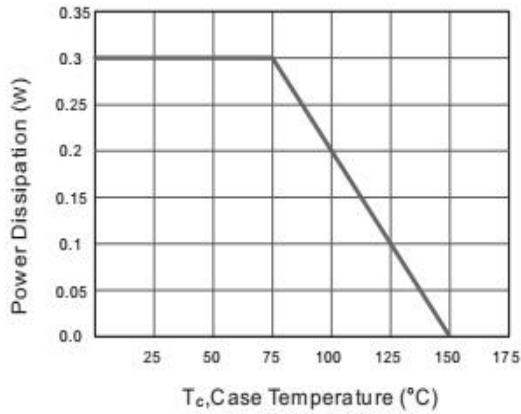


Figure 1: Power Derating Curve

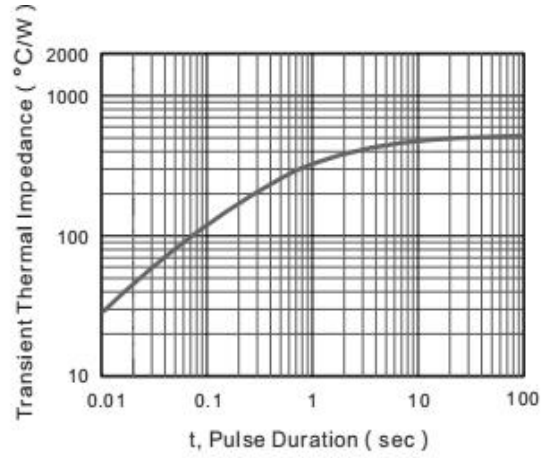
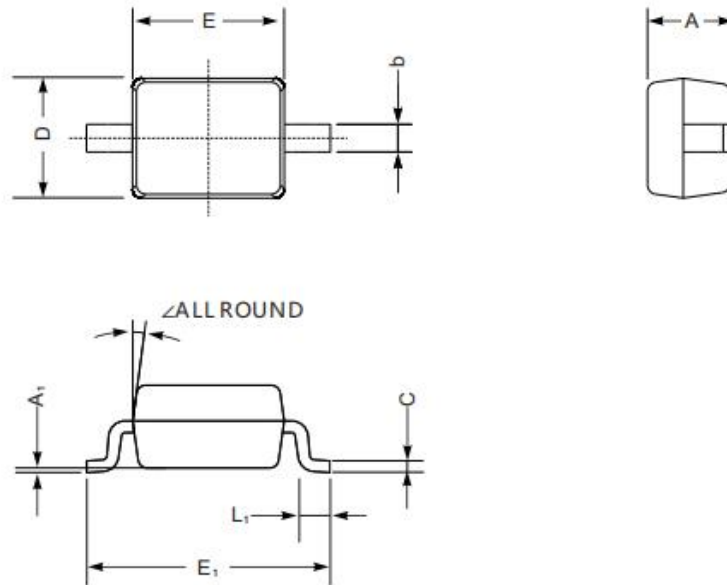


Figure 2: Zener Impedance Characteristics

■ Dimension 外形封装尺寸



| UNIT | | A | C | D | E | E ₁ | b | L ₁ | A ₁ | ∠ |
|------|-----|-----|------|-----|-----|----------------|------|----------------|----------------|----|
| mm | max | 1.1 | 0.15 | 1.4 | 1.8 | 2.75 | 0.4 | 0.45 | 0.2 | 9° |
| | min | 0.8 | 0.08 | 1.2 | 1.4 | 2.55 | 0.25 | 0.2 | — | |
| mil | max | 43 | 5.9 | 55 | 70 | 108 | 16 | 16 | 8 | |
| | min | 32 | 3.1 | 47 | 63 | 100 | 9.8 | 7.9 | — | |

X-ON Electronics

Largest Supplier of Electrical and Electronic Components

Click to view similar products for [Zener Diodes](#) category:

Click to view products by [FOSAN](#) manufacturer:

Other Similar products are found below :

[RKZ13B2KG#P1](#) [DL5234B](#) [EDZTE6113B](#) [1N4682](#) [1N4693](#) [1N4732A](#) [1N4736A](#) [1N4750A](#) [1N4759ARL](#) [1N5241B](#) [1N5365B](#) [1N5369B](#)
[1N747A](#) [1N964B](#) [1N966B](#) [1N968B](#) [1N972B](#) [JANS1N4974US](#) [JANTX1N5907](#) [1N4692](#) [1N4700](#) [1N4702](#) [1N4704](#) [1N4711](#) [1N4714](#)
[1N4745ARL](#) [1N4752ARL](#) [1N4760ARL](#) [1N5221B](#) [1N5242BTR](#) [1N5350B](#) [1N5352B](#) [1N961BRR1](#) [1N964BRL](#) [RKZ5.1BKU#P6](#)
[3SMAJ5946B-TP](#) [3SMAJ5950B-TP](#) [3SMBJ5925B-TP](#) [MMSZ5230BQ-13-F](#) [MMSZ5232BQ-13-F](#) [BZX84C7V5](#) [3SMAJ5945B-TP](#)
[3SMAJ5947B-TP](#) [3SMBJ5941B-TP](#) [DL4732A-T3](#) [DZ2S240M0L](#) [SMAZ27-TP](#) [ZMM5224B-7](#) [RD16UM-T1-A](#) [RD39S-T1-A](#)