



# HCMOS 7x5mm SMD Oscillator

O7HH  
(former F3345 Series)  
DATASHEET

- HCMOS Output
- Stabilities to  $\pm 20$  PPM
- Temperature Ranges to  $-40^{\circ}\text{C}$  to  $+85^{\circ}\text{C}$
- Supply Voltage: 5.0V

## ELECTRICAL CHARACTERISTICS

PARAMETERS	MAX (unless otherwise noted)
Frequency Range ( $F_o$ )	1 ~ 125MHz
Storage Temperature Range ( $T_{STG}$ )	$-55 \sim +125^{\circ}\text{C}$
Supply Voltage ( $V_{DD}$ )	5.0V $\pm 10\%$
Input Current ( $I_{DD}$ )	
1.000 ~ 25.000MHz	25 mA
25.000+ ~ 50.000MHz	40 mA
50.000+ ~ 67.000MHz	60 mA
67.000+ ~ 80.000MHz	73 mA
80.000+ ~ 125.000MHz	90 mA
Output Symmetry (50% $V_{DD}$ )	
1 ~ 80MHz	45/55%
80+ ~ 125MHz	40/60%
Rise/Fall Time (10%/90% $V_{DD}$ Levels) ( $T_R/T_F$ )	
1 ~ 80.000MHz	7nS
80+ ~ 100MHz	5nS
100+ ~ 125MHz	4nS
Output Voltage ( $V_{OL}$ ) ( $V_{OH}$ )	10% $V_{DD}$ 90% $V_{DD}$ Min
Output Current ( $I_{OL}$ ) ( $I_{OH}$ )	16mA Min -16mA Min
Output Load (HCMOS)	50pF
Start-up Time ( $T_s$ )	10 mS
Output Disable Time <sup>1</sup>	100 nS
Output Enable Time <sup>1</sup>	100 nS

## ENABLE / DISABLE FUNCTION

Pin1	Output (pin 3)
OPEN <sup>1</sup>	Active
'1' Level $V_{IH} \geq 70\%V_{DD}$	Active
'0' Level $V_{IL} \leq 30\%V_{DD}$	High Z

## • Available Options by Stability & Operating Temperature

Frequency Stability	Operating Temperature ( $^{\circ}\text{C}$ )	Frequency Range (MHz)
$\pm 100\text{PPM}^2$	-10 ~ +70	1.000 ~ 125.000
$\pm 100\text{PPM}^2$	-40 ~ +85	1.000 ~ 125.000
$\pm 50\text{PPM}^2$	-10 ~ +70	1.000 ~ 125.000
$\pm 50\text{PPM}^2$	-40 ~ +85	1.000 ~ 125.000
$\pm 25\text{PPM}^2$	-10 ~ +70	1.000 ~ 125.000
$\pm 25\text{PPM}^3$	-40 ~ +85	1.000 ~ 80.000
$\pm 20\text{PPM}^3$	-10 ~ +70	1.000 ~ 80.000

<sup>1</sup> An internal pull-up resistor from pin 1 to pin 4 allows active output if pin 1 is left open

<sup>2</sup> Inclusive of  $25^{\circ}\text{C}$  tolerance, operating temperature range, input voltage change, load change, reflow, one-year aging, shock, and vibration.

<sup>3</sup> Inclusive of  $25^{\circ}\text{C}$  tolerance, operating temperature range.

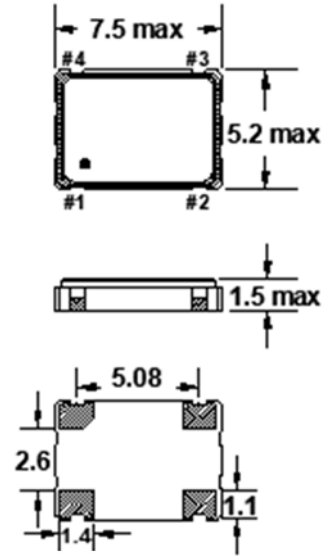




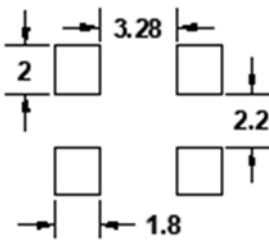
# HCMOS 7x5mm SMD Oscillator

O7HH  
(former F3345 Series)  
DATASHEET

## DIMENSIONS / MECHANICAL SPECIFICATIONS



### Recommended Solder Pad Layout



Dimensions in mm

### Pin Connections

#1 E/D	#3 Output
#2 GND	#4 V <sub>DD</sub>

Maximum Soldering Temp / Time	260°C / 10 Seconds x 2
Moisture Sensitivity Level (MSL)	1
Termination Finish	Au over Ni
Seal Method	Seam
Lead (Pb) Free	Yes
ROHS/REACH Compliant	Yes

#### Notes:

A 0.01µF capacitor should be placed between V<sub>DD</sub> (Pin 4) and GND (Pin2) to minimize power supply line noise.  
Dimensional drawing is for reference to critical specifications defined by size measurements.  
Certain non-critical visual attributes, such as side castellations, reference pin shape, etc. may vary

	<b>Title / Description:</b> O7HH SERIES STANDARD SPECIFICATIONS	
	<b>Drawing Number:</b> O7HH-DOC-1	<b>Size:</b> A
	<b>Part Number:</b>	<b>Cage:</b> 61429
	<b>Draftsperson:</b> BEC	<b>Approved:</b> MAJ
		<b>Revision Date:</b> 10/3/2019

© Copyright 2019 Fox Electronics. All rights reserved



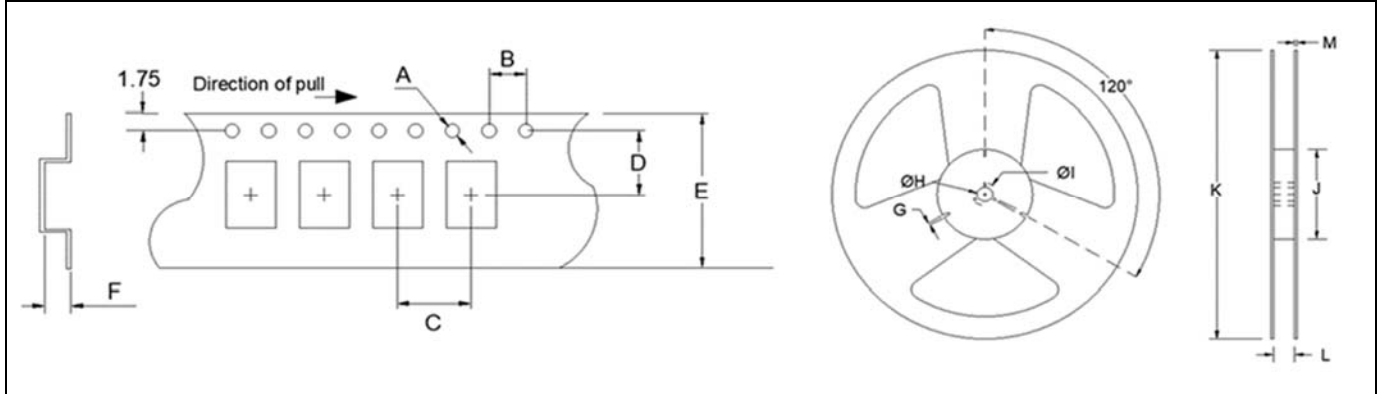
# HCMOS 7x5mm SMD Oscillator

## O7HH

(former F3345 Series)

### DATASHEET

Tape Specifications (millimeters)							Reel Specifications (millimeters)						
A	B	C	D	E	F	Reel Qty	G	H	I	J	K	L	M
Ø1.5	4.0	8.0	7.5	16.0	2.15	-T1 = 1,000 -T2 = 2,000	2.0	Ø13	Ø21	Ø80	Ø255	17.5	2.0



### Available Options & Part Identification\*

Example: F O7HH A B M 25.0

F	O7HH	A	B	M	25.0
Fox	Model Number	Voltage	Stability	Operating Temperature	Frequency (MHz)
		A = 5V±10%	A = ±100 PPM B = ±50 PPM D = ±25 PPM E = ±20 PPM	E = -10 to +70°C M = -40 to +85°C	

\*Not all frequencies in the frequency range, or every combination of stability, temp range, and voltage available. See stabilities and op temps on page 1.



Corporate Headquarters  
5570 Enterprise Parkway  
Fort Myers, FL 33905  
<http://www.FOXONLINE.com>

Sales  
1-888-GET-2-FOX (1-888-438-2369)  
or  
1-239-693-0099  
<http://www.FOXONLINE.com/repdistv>

Tech Support  
<http://www.FOXONLINE.com/email>

**Product use:** Fox Electronics reserves the right to modify the products and/or specifications described herein at any time and at Fox Electronics' sole discretion. All information in this document, including descriptions of product features and performance, is subject to change without notice. Performance specifications and the operating parameters of the described products are determined in the independent state and are not guaranteed to perform the same way when installed in customer products. The information contained herein is provided without representation or warranty of any kind, whether express or implied, including, but not limited to, the suitability of Fox Electronics' products for any particular purpose, an implied warranty of merchantability, or non-infringement of the intellectual property rights of others. This document is presented only as a guide and does not convey any license under intellectual property rights of Fox Electronics or any third parties.

Fox Electronics' products are not intended for use in applications involving extreme environmental conditions or in life support systems or similar devices where the failure or malfunction of a Fox Electronics product can be reasonably expected to significantly affect the health or safety of users. Anyone using a Fox Electronics product in such a manner does so at their own risk, absent an express, written agreement by Fox Electronics.

Fox Electronics and the Fox logo are registered trademarks of Fox Electronics. Product specification is subject to change without notice. Other trademarks and service marks used herein, including protected names, logos and designs, are the property of Fox Electronics or their respective third-party owners.

	<b>Title / Description:</b> O7HH SERIES STANDARD SPECIFICATIONS		
	<b>Drawing Number:</b> O7HH-DOC-1	<b>Size:</b> A	
	<b>Part Number:</b>	<b>Cage:</b> 61429	
	<b>Draftsperson:</b> BEC	<b>Approved:</b> MAJ	<b>Revision Date:</b> 10/3/2019

© Copyright 2019 Fox Electronics. All rights reserved

## X-ON Electronics

Largest Supplier of Electrical and Electronic Components

*Click to view similar products for fox manufacturer:*

Other Similar products are found below :

[277LF-27-7](#) [278LF-33.1776-1 TR](#) [220-10-7 TR](#) [278LF-20-29](#) [603-25-132 TR](#) [218-20-17966](#) [278LF-5-11](#) [117-102.6494](#) [589-33.33-3 TR](#)  
[218-25-94](#) [FD-25](#) [FOXLF049-20](#) [FOXSDLF/240F-20](#) [FXO-HC736R-125](#) [FO5LSCDM100.00](#) [FOX924B-10.000](#) [FOXSDLF/240F-20/TR](#)  
[F4105R-250](#) [HC49ULF-11.0592MHz](#) [FOXSDLF/040R/TR](#) [VCS25AXT-447](#) [FOXLF098-20](#) [70M15A](#) [FO7HHAAM32.0](#) [FO7HHAAM20.0-](#)  
[BULK](#) [FO7HSCDM50.0](#) [FC7BSCCMM6.0-T1](#) [FOXSLF/120-20](#) [VCS25AXT-270 27.000MHZ](#) [FOX801BELF-160](#) [FOXLF250F-20](#)  
[FOXSDLF/049-20/TR](#) [FXO-LC735RGB-156.25](#) [FOXSDLF/245FR-20/TR](#) [FOXSDLF/200-20/TR](#) [FC3VREEEM38.4-T1](#) [FOX923CH-](#)  
[19.20M](#) [FXO-HC735-48](#) [FO7HSCAE48.0-BULK](#) [FOXSDLF/184-20](#) [F1100E-48.000MHZ](#) [FOXLF221-20](#) [F535L-24](#) [FO7HSCDM25.0-](#)  
[BULK](#) [FO7HSCDM20.0-BULK](#) [FXO-PC536R-150](#) [FOXSLF041](#) [F4100-75.00](#) [FOXSLF/240F-20](#) [FOXLF05A](#)