



7x5mm LVPECL Oscillator

O7PS

(former F4600, F4620 Series)

DATASHEET

- LVPECL Output
- Stabilities to ± 20 PPM
- Temperature Ranges to -40°C to $+85^{\circ}\text{C}$
- Supply Voltages: 2.5V, 3.3V

2.5V ELECTRICAL CHARACTERISTICS

PARAMETERS	MAX (unless otherwise noted)
Frequency Range	40.000 ~ 325.000 MHz
Storage Temperature Range (T_{STG})	$-55 \sim +125^{\circ}\text{C}$
Supply Voltage (V_{DD})	$2.5\text{V} \pm 10\%$
Input Current (I_{DD})	88mA
Standby Current	$30\mu\text{A}$
Output Symmetry (50% $V_{\text{P-P}}$ level)	
40.000 ~ 170.000 MHz	45% ~ 55%
>170.000 ~ 325.000 MHz	40% ~ 60%
Rise Time (20%~80% $V_{\text{P-P}}$)	1nS
Fall Time (80%~20% $V_{\text{P-P}}$)	1nS
Output Voltage (V_{OL})	1.195V
(V_{OH})	1.415V Min.
Output Load	50 Ohms to VDD – 2.0V
Start-up Time (T_{S})	10mS
Output Disable Time ¹	200nS
Output Enable Time ¹	10mS
Phase Jitter (12kHz~20MHz BW)	0.3pS Typ.

ENABLE / DISABLE FUNCTION

Pin 1	Out 1 (Pin 4), Out 2 (Pin 5)
OPEN ¹	Active
'1' Level $V_{\text{IH}} \geq 70\% V_{\text{DD}}$	Active
'0' Level $V_{\text{IL}} \leq 30\% V_{\text{DD}}$	High Z

• Available Options by Stability & Operating Temp for 2.5V²

Frequency Stability ²	Operating Temperature ($^{\circ}\text{C}$)	Frequency Range (MHz)
$\pm 100\text{PPM}$	$-10 \sim +70$	40.000 ~ 280.000
$\pm 100\text{PPM}$	$-20 \sim +70$	40.000 ~ 280.000
$\pm 100\text{PPM}$	$-40 \sim +85$	40.000 ~ 280.000
$\pm 50\text{PPM}$	$-10 \sim +70$	40.000 ~ 280.000
$\pm 50\text{PPM}$	$-20 \sim +70$	40.000 ~ 280.000
$\pm 50\text{PPM}$	$-40 \sim +85$	40.000 ~ 280.000
$\pm 25\text{PPM}$	$-10 \sim +70$	40.000 ~ 280.000
$\pm 25\text{PPM}$	$-20 \sim +70$	40.000 ~ 280.000
$\pm 25\text{PPM}$	$-40 \sim +85$	40.000 ~ 200.000

¹ An internal pull-up resistor from pin 1 to pin 4 allows active output if pin 1 is left open

² Inclusive of 25°C tolerance, operating temperature range, input voltage change, load change, reflow, and one-year aging. (*Excludes shock and vibration)



© Copyright 2019 Fox Electronics. All rights reserved

Title / Description: O7PS SERIES STANDARD SPECIFICATIONS

Drawing Number: O7PS-DOC-1

Size: A

Part Number:

Cage: 61429

Draftsperson: MAJ

Approved: BEC

Revision Date: 08/29/2019



7x5mm LVPECL Oscillator

O7PS
(former F4600, F4620 Series)
DATASHEET

3.3V ELECTRICAL CHARACTERISTICS

PARAMETERS	MAX (unless otherwise noted)
Frequency Range	40.000 ~ 325.000 MHz
Storage Temperature Range (T _{STG})	-55 ~ +125°C
Supply Voltage (V _{DD})	3.3V±10%
Input Current (I _{DD})	88mA
Standby Current	30µA
Output Symmetry (50%V _{P-P} level) 40.000 ~ 170.000MHz >170.000 ~ 325.000MHz	45% ~ 55% 40% ~ 60%
Rise Time (20%~80% V _{P-P})	1nS
Fall Time (80%~20% V _{P-P})	1nS
Output Voltage (V _{OL}) (V _{OH})	1.7V 2.2V Min.
Output Load	50 Ohms to VDD – 2.0V
Start-up Time (T _S)	10mS
Output Disable Time ¹	100nS
Output Enable Time ¹	10mS
Phase Jitter (12kHz~20MHz BW)	0.3pS Typ.

ENABLE / DISABLE FUNCTION

Pin 1	Out 1 (Pin 4), Out 2 (Pin 5)
OPEN ¹	Active
'1' Level V _{IH} ≥ 70% V _{DD}	Active
'0' Level V _{IL} ≤ 30%V _{DD}	High Z

• Available Options by Stability & Operating Temp for 3.3V²

Frequency Stability ²	Operating Temperature (°C)	Frequency Range (MHz)
±100PPM	-10 ~ +70	40.000 ~ 325.000
±100PPM	-20 ~ +70	40.000 ~ 325.000
±100PPM	-40 ~ +85	40.000 ~ 325.000
±50PPM	-10 ~ +70	40.000 ~ 325.000
±50PPM	-20 ~ +70	40.000 ~ 325.000
±50PPM	-40 ~ +85	40.000 ~ 325.000
±25PPM	-10 ~ +70	40.000 ~ 325.000
±25PPM	-20 ~ +70	40.000 ~ 325.000
±25PPM	-40 ~ +85	40.000 ~ 280.000
±20PPM	-10 ~ +70	40.000 ~ 280.000
±20PPM	-20 ~ +70	40.000 ~ 280.000

¹ An internal pull-up resistor from pin 1 to pin 4 allows active output if pin 1 is left open

² Inclusive of 25°C tolerance, operating temperature range, input voltage change, load change, reflow, and one-year aging. (*Excludes shock and vibration)

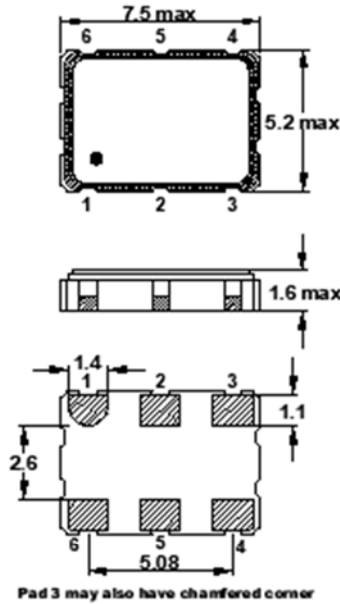




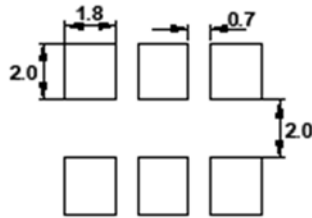
7x5mm LVPECL Oscillator

O7PS
(former F4600, F4620 Series)
DATASHEET

DIMENSIONS / MECHANICAL SPECIFICATIONS



Recommended Solder Pad Layout



Dimensions are in millimeters.

Pin Connections

#1 E/D	#4 Output_1
#2 N.C.	#5 Output_2
#3 GND	#6 V _{DD}

Maximum Soldering Temp / Time	260°C / 10 Seconds x2
Moisture Sensitivity Level (MSL)	1
Termination Finish	Au over Ni
Seal Method	Seam
Lead (Pb) Free	Yes
ROHS/REACH Compliant	Yes

Notes:

*A 0.01μF capacitor should be placed between V_{DD} (Pin 4) and GND (Pin2) to minimize power supply line noise.

*Dimensional drawing is for reference to critical specifications defined by size measurements.

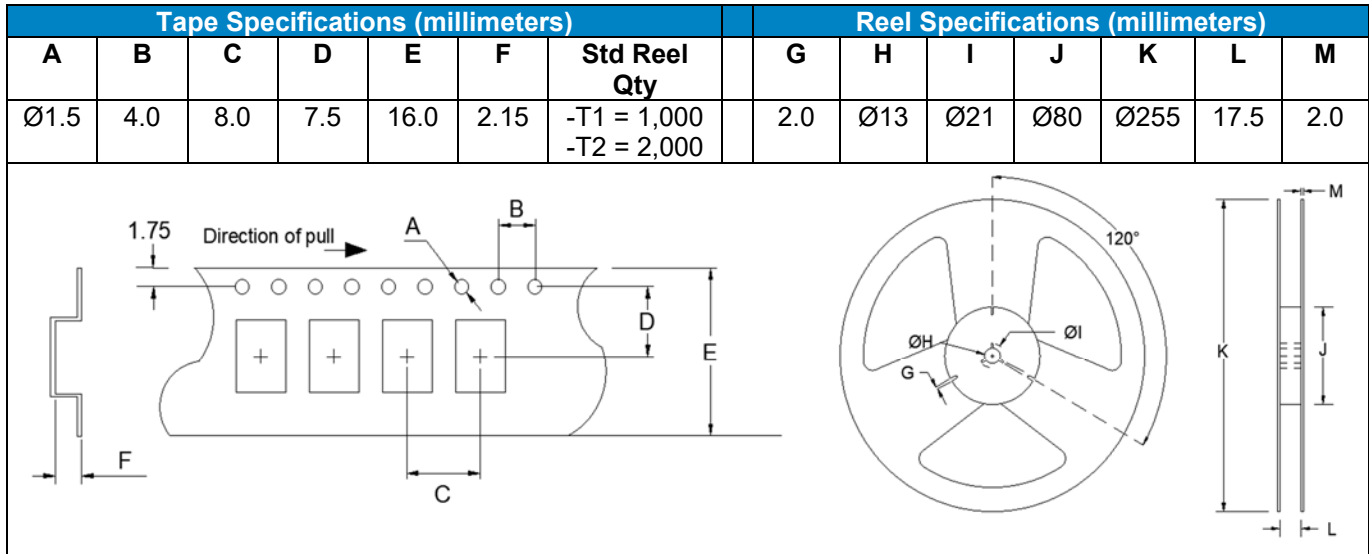
Certain non-critical visual attributes, such as side castellations, reference pin shape, etc. may vary





7x5mm LVPECL Oscillator

O7PS
(former F4600, F4620 Series)
DATASHEET



Available Options & Part Identification*

Example: **F O7PS C B M 62.5**

F	O7PS	C	B	M	62.5
Fox	Model Number	Voltage J = 2.5V±10% C = 3.3V±10%	Stability A = ±100PPM B = ±50PPM D = ±25PPM E = ±20PPM	Operating Temperature E = -10 to +70°C F = -20 to +70°C M = -40 to +85°C	Frequency

*Not all frequencies in the frequency range, or every combination of stability, temp range, and voltage available. See stabilities and op temps for each V_{DD}.



Corporate Headquarters
5570 Enterprise Parkway Fort
Myers, FL 33905
<http://www.FOXONLINE.com>

Sales
1-888-GET-2-FOX (1-888-438-2369)
or
1-239-693-0099
<http://www.FOXONLINE.com/repdisty>

Tech Support
<http://www.FOXONLINE.com/email>

Product use: Fox Electronics reserves the right to modify the products and/or specifications described herein at any time and at Fox Electronics' sole discretion. All information in this document, including descriptions of product features and performance, is subject to change without notice. Performance specifications and the operating parameters of the described products are determined in the independent state and are not guaranteed to perform the same way when installed in customer products. The information contained herein is provided without representation or warranty of any kind, whether express or implied, including, but not limited to, the suitability of Fox Electronics' products for any particular purpose, an implied warranty of merchantability, or non-infringement of the intellectual property rights of others. This document is presented only as a guide and does not convey any license under intellectual property rights of Fox Electronics or any third parties.

Fox Electronics' products are not intended for use in applications involving extreme environmental conditions or in life support systems or similar devices where the failure or malfunction of a Fox Electronics product can be reasonably expected to significantly affect the health or safety of users. Anyone using a Fox Electronics product in such a manner does so at their own risk, absent an express, written agreement by Fox Electronics.

Fox Electronics and the Fox logo are registered trademarks of Fox Electronics. Product specification is subject to change without notice. Other trademarks and service marks used herein, including protected names, logos and designs, are the property of Fox Electronics or their respective third-party owners.



© Copyright 2019 Fox Electronics. All rights reserved

Title / Description: O7PS SERIES STANDARD SPECIFICATIONS	
Drawing Number: O7PS-DOC-1	Size: A
Part Number:	Cage: 61429
Draftsperson: MAJ	Approved: BEC
Revision Date: 08/29/2019	

X-ON Electronics

Largest Supplier of Electrical and Electronic Components

Click to view similar products for [fox manufacturer](#):

Other Similar products are found below :

[277LF-27-7](#) [278LF-33.1776-1 TR](#) [220-10-7 TR](#) [278LF-20-29](#) [603-25-132 TR](#) [218-20-17966](#) [278LF-5-11](#) [117-102.6494](#) [589-33.33-3 TR](#)
[218-25-94](#) [FD-25](#) [FOXLF049-20](#) [FOXSDLF/240F-20](#) [FXO-HC736R-125](#) [FO5LSCDM100.00](#) [FOX924B-10.000](#) [FOXSDLF/240F-20/TR](#)
[F4105R-250](#) [HC49ULF-11.0592MHz](#) [FOXSDLF/040R/TR](#) [VCS25AXT-447](#) [FOXLF098-20](#) [70M15A](#) [FO7HHAAM32.0](#) [FO7HHAAM20.0-](#)
[BULK](#) [FO7HSCDM50.0](#) [FC7BSCCMM6.0-T1](#) [FOXSLF/120-20](#) [VCS25AXT-270 27.000MHZ](#) [FOX801BELF-160](#) [FOXLF250F-20](#)
[FOXSDLF/049-20/TR](#) [FXO-LC735RGB-156.25](#) [FOXSDLF/245FR-20/TR](#) [FOXSDLF/200-20/TR](#) [FO7HSCBM3.579545-BULK](#)
[FC3VREEEM38.4-T1](#) [FOX923CH-19.20M](#) [FXO-HC735-48](#) [FO7HSCAE48.0-BULK](#) [FOXSDLF/184-20](#) [F1100E-48.000MHZ](#) [FOXLF221-](#)
[20](#) [F535L-24](#) [FO7HSCDM25.0-BULK](#) [FO7HSCDM20.0-BULK](#) [FOX/073-20-LF](#) [FXO-PC536R-150](#) [FOXSLF041](#) [F4100-75.00](#)