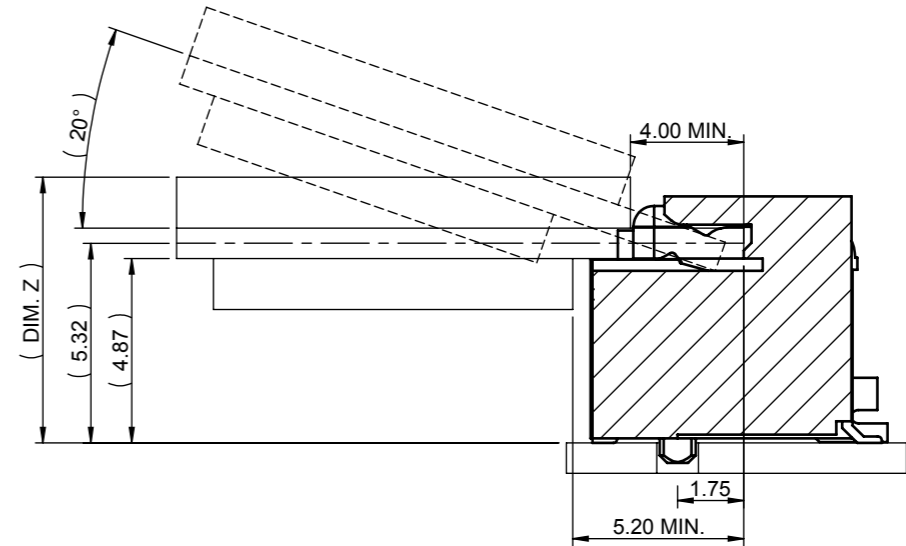
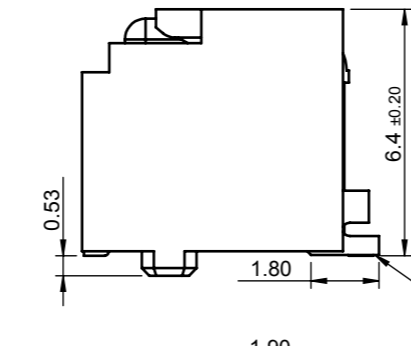
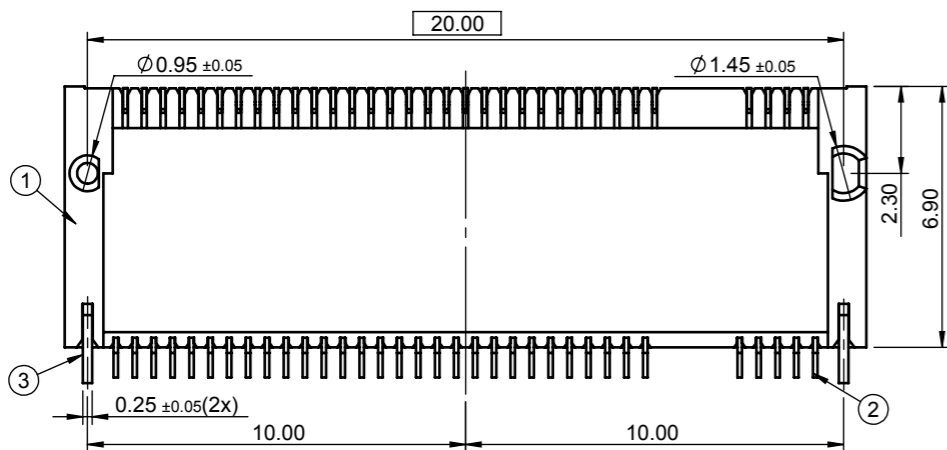
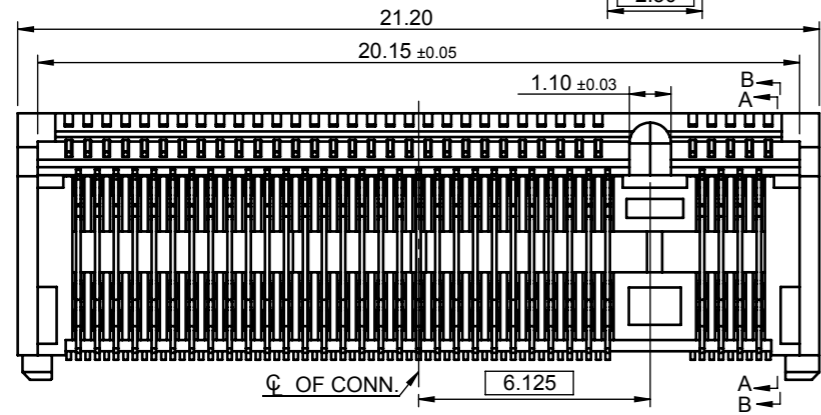
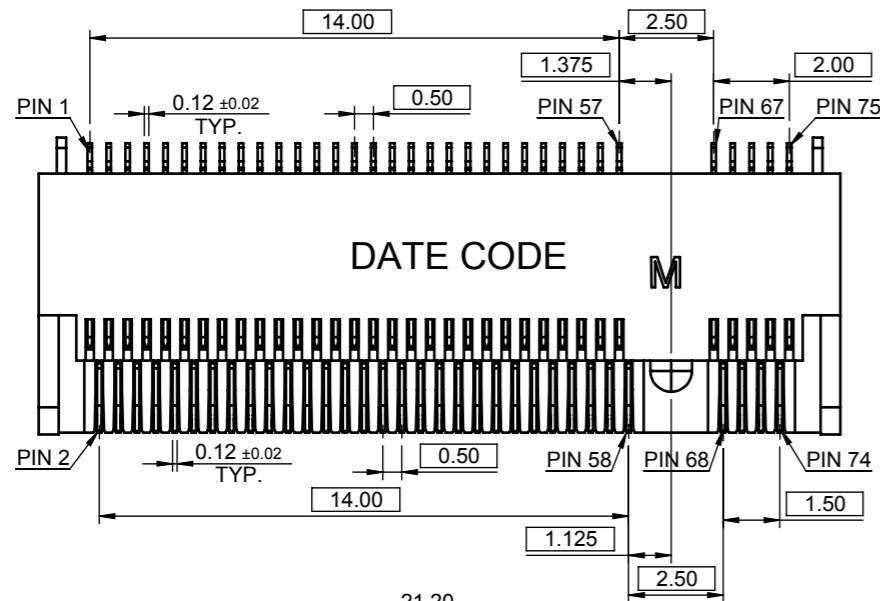


SOLIDWORK GENERATED DRAWING, DON'T CHANGE BY HAND

REV.	ECN. NO.	APPD.
A	BC-17-0007239	Davy Bu

- NOTES:
- ELECTRICAL CHARACTERISTICS:
 - CONTACT CURRENT RATING: 0.5 AMPERE MAX. PER PIN.
 - VOLTAGE RATING: 50V AC.
 - INSULATION RESISTANCE :500 MEGAOHMS MIN. AT 500V DC.
 - DIELECTRIC WITHSTANDING VOLTAGE: 300V AC RMS AT 60Hz, FOR 1 MINUTE.
 - CONTACT RESISTANCE: 55 MILLIOHMS MAX. PER PIN INITIAL.
 $\Delta R=20$ MILLIOHMS MAX. PER PIN AFTER FULL ENVIRONMENT TESTING.
 - MECHANICAL CHARACTERISTICS: DURABILITY:60 MATING CYCLES.
 - OPERATION TEMPERATURE:-40°C TO +80°C.
 - RECOMMENDED PROCESS CONDITION: SMT, PEAK TEMPERATURE:260°C, 10~20S.
 - PLEASE CONTACT FOXCONN SALES REPRESENTATIVE TO VERIFY PRODUCT DETAIL & AVAILABILITY.



DATE CODE: * * * * *
 YEAR MONTH LINE NO.
 DAY

DIM. Z MAX.	MODULE TYPE
7.02	S1&D1
7.17	S2&D2
7.32	S3&D3&D4&D5
7.57	S4
7.82	S5

PART NO. DESCRIPTION: 2E 0 BC 2 * - S 64 B M - * H

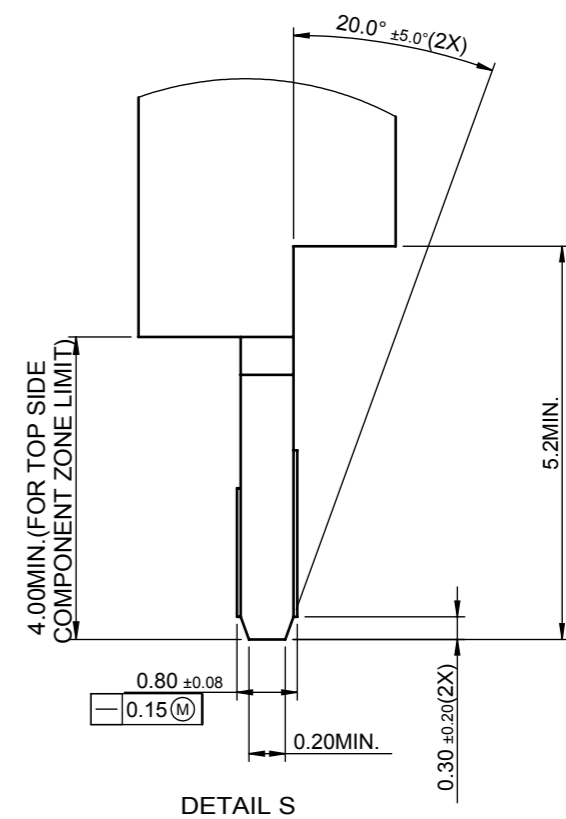
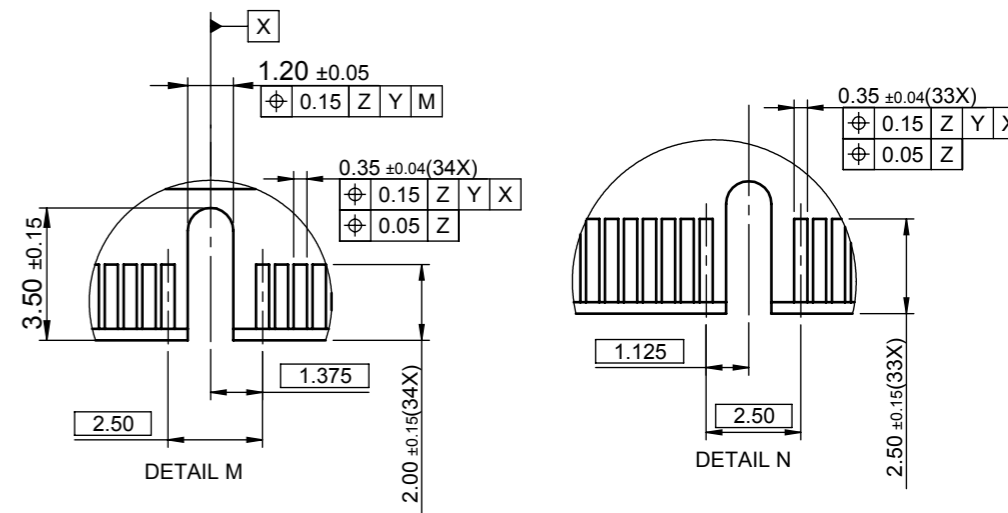
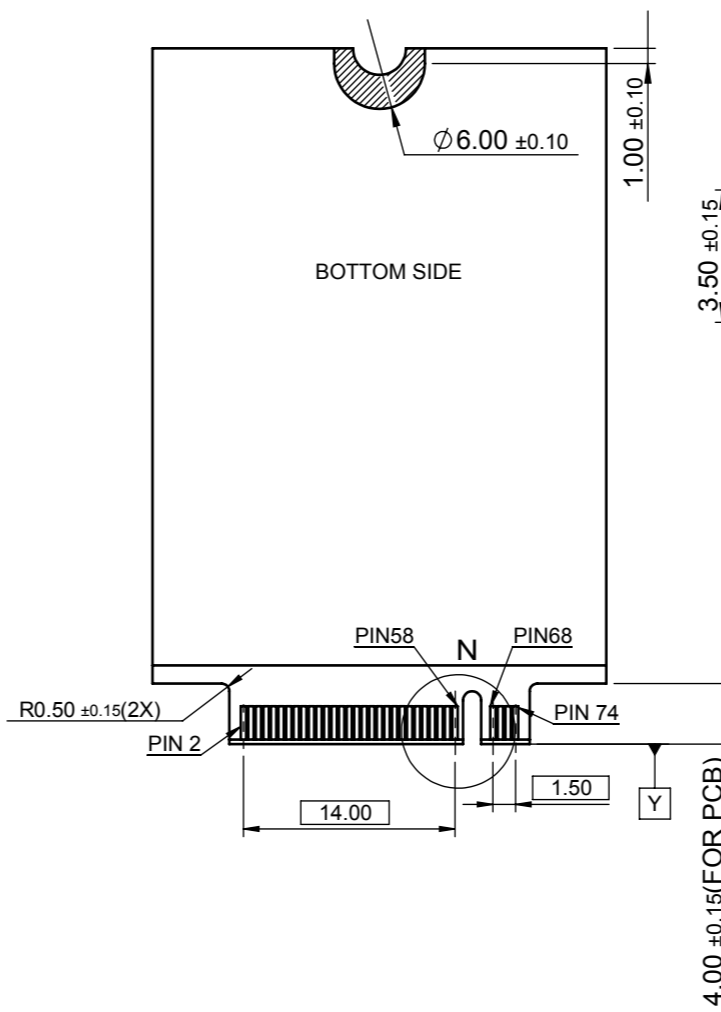
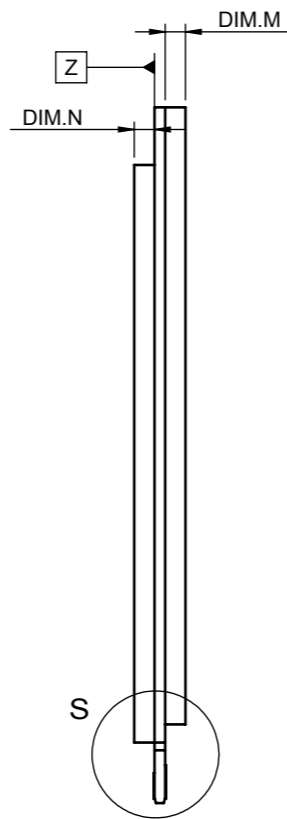
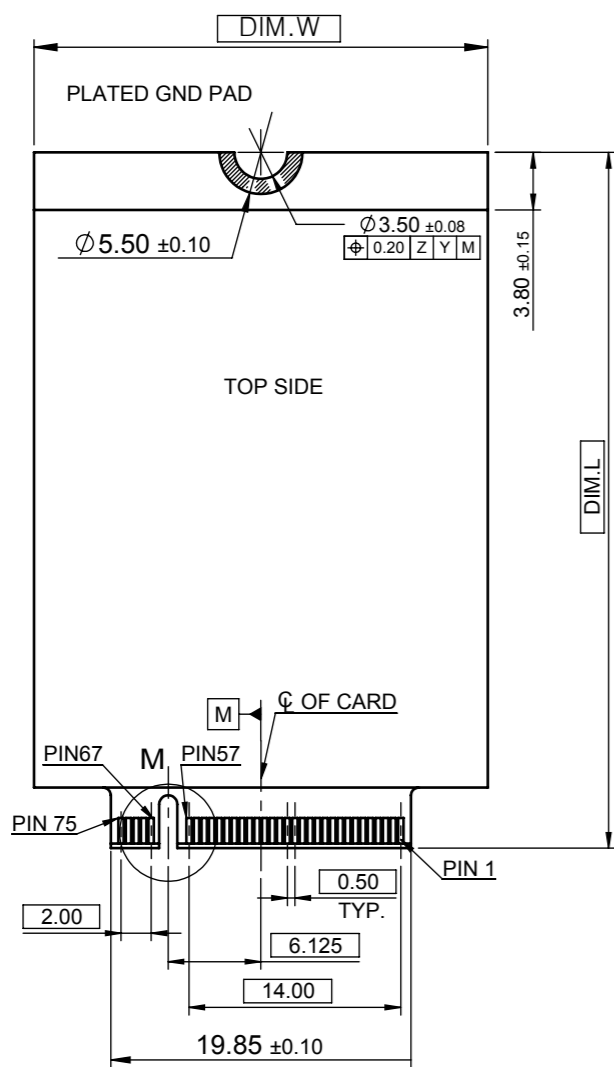
EDGE CARD CONNECTOR
 M.2(NGFF) CONNECTOR SERIES
 75 PIN
 SMT
 CONTACT AREA PLATING
 1=GOLD FLASH
 Y=5u" GOLD PLATING
 6=10u" GOLD PLATING
 7=15u" GOLD PLATING
 3=30u" GOLD PLATING

HALOGEN FREE & LEAD FREE
 7=32mm WIDTH TAPE&REEL&OUTWARD
 L=44mm WIDTH TAPE&REEL&INWARD
 KEY NAME
 BLACK COLOR
 6.4mm HEIGHT
 STANDARD TYPE

ITEM	DESCRIPTION	MATERIAL	Q'TY	TREATMENT
③	METAL TAB	STAINLESS STEEL (SUS301)	2	10u" NICKEL UNDER PLATING 100u" MATTE TIN PLATING OVER ALL
②	CONTACT	PHOSPHOR BRONZE (C5210R-SH)	67	50u" NICKEL UNDER PLATING GOLD FLASH PLATING AT TAIL AREA GOLD FLASH OR 5u" GOLD PLATING OR 15u" GOLD PLATING OR 30u" GOLD PLATING AT CONTACT AREA
①	HOUSING	LCP (6808)	1	UL94V-0, HALOGEN FREE, BLACK COLOR

X. ± 0.30	X° ± 2°	UNITS mm	NAME (INTENDED USE)	FOXCONN® FOXCONN INTERCONNECT TECHNOLOGY LIMITED.
.X ± 0.25	.X° ± 1°	MAT'L	M.2(NGFF) CONNECTOR (KEY M)	
.XX ± 0.15	.XX° ±	FINISH	PART NO. (INTENDED USE)	CLASS: <input type="checkbox"/> CONFIDENTIAL <input type="checkbox"/> SECRET <input checked="" type="checkbox"/> GENERAL
.XXX ±	.XXX° ±		2E0BC2*-S64BM-*H	TITLE: CUSTOMER DRAWING
THESE DRAWINGS AND SPECIFICATIONS ARE THE PROPERTY OF FOXCONN INTERCONNECT TECHNOLOGY LIMITED, AND SHALL NOT BE REPRODUCED, COPIED OR USED IN ANY MANNER WITHOUT THE PRIOR WRITTEN CONSENT OF FOXCONN INTERCONNECT TECHNOLOGY LIMITED.			APPD: Davy Bu	DWG NO.:
			CHKD: Z.J.Chen	317-0000-2909
DR: Allen Zhao 2017/3/18			SCALE	SHEET
			N/A	1/5
			REV.	A

REV.	ECN.NO.	APPD.



TYPE XX XX-XX-M

KEY ID=M

	COMPONENT MAX HEIGHT(mm)	
	DIM.N	DIM.M
S1	1.2	0
S2	1.35	0
S3	1.5	0
S4	1.75	0
S5	2.0	0
D1	1.2	1.35
D2	1.35	1.35
D3	1.5	1.35
D4	1.5	0.7
D5	1.5	1.5

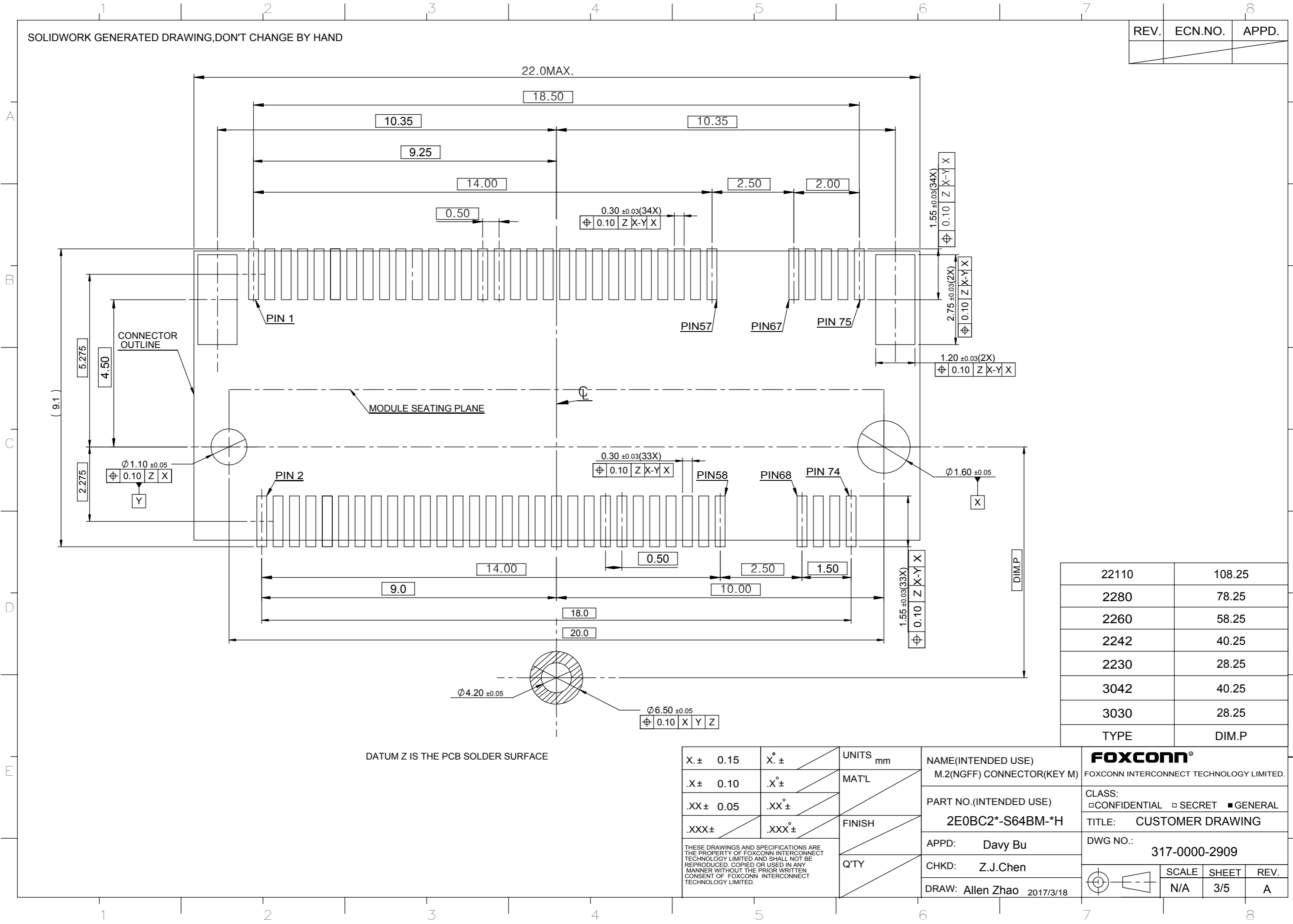
LENGTH(mm)	30
DIM.L	42
	60
	80
	110

WIDTH(mm)	22
DIM.W	30

X ± 0.15	X° ±	UNITS mm	NAME(INTENDED USE)	FOXCONN® FOXCONN INTERCONNECT TECHNOLOGY LIMITED.
.X ± 0.10	.X° ±		M.2(NGFF) CONNECTOR(KEY M)	
.XX ± 0.05	.XX° ±	MAT'L	PART NO.(INTENDED USE)	CLASS: <input type="checkbox"/> CONFIDENTIAL <input type="checkbox"/> SECRET <input checked="" type="checkbox"/> GENERAL
.XXX ±	.XXX° ±		FINISH	2E0BC2*-S64BM-*H
THESE DRAWINGS AND SPECIFICATIONS ARE THE PROPERTY OF FOXCONN INTERCONNECT TECHNOLOGY LIMITED AND SHALL NOT BE REPRODUCED, COPIED OR USED IN ANY MANNER WITHOUT THE PRIOR WRITTEN CONSENT OF FOXCONN INTERCONNECT TECHNOLOGY LIMITED.			APPD: Davy Bu	DWG NO.:
			CHKD: Z.J.Chen	317-0000-2909
Q'TY			DRAW: Allen Zhao 2017/3/18	SCALE SHEET REV. N/A 2/5 A

SOLIDWORK GENERATED DRAWING,DON'T CHANGE BY HAND

REV.	ECN.NO.	APPD.



22110	108.25
2280	78.25
2260	58.25
2242	40.25
2230	28.25
3042	40.25
3030	28.25
TYPE	DIM.P

DATUM Z IS THE PCB SOLDER SURFACE

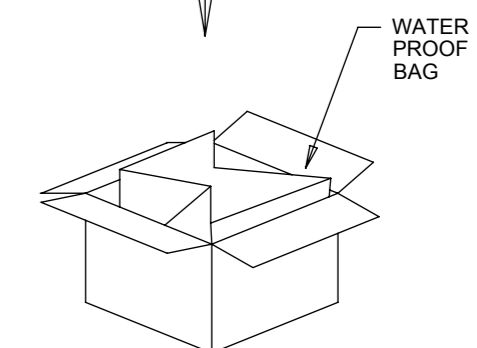
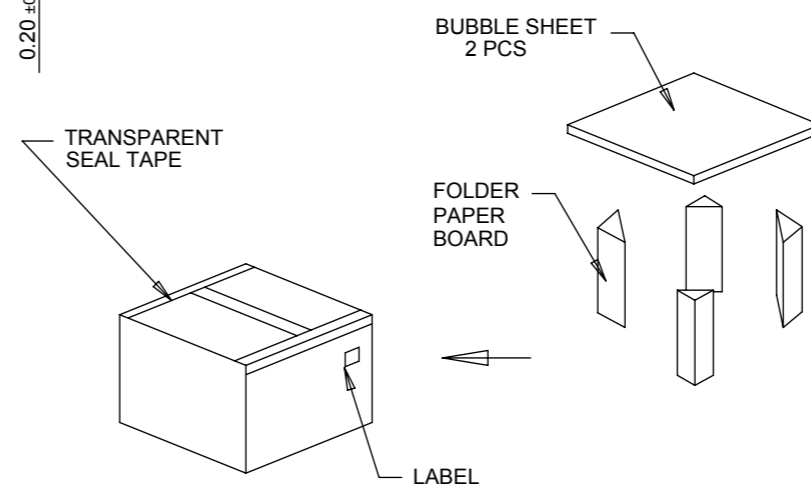
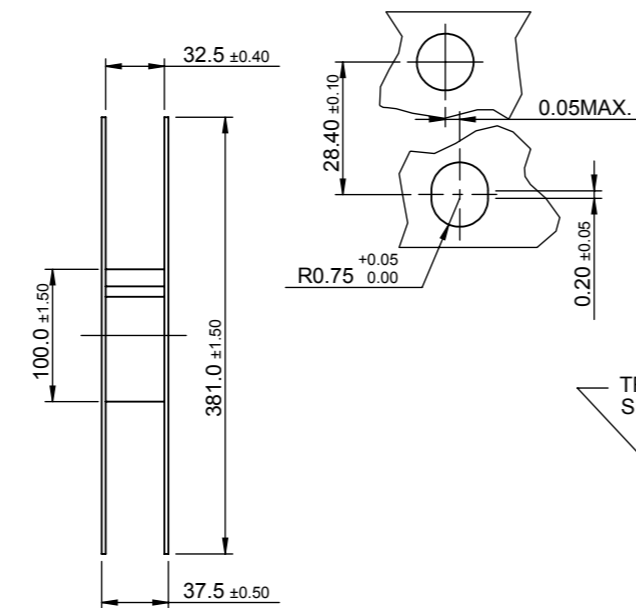
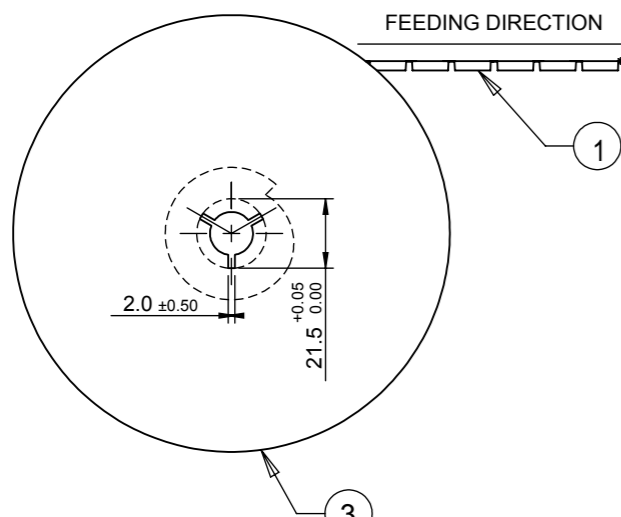
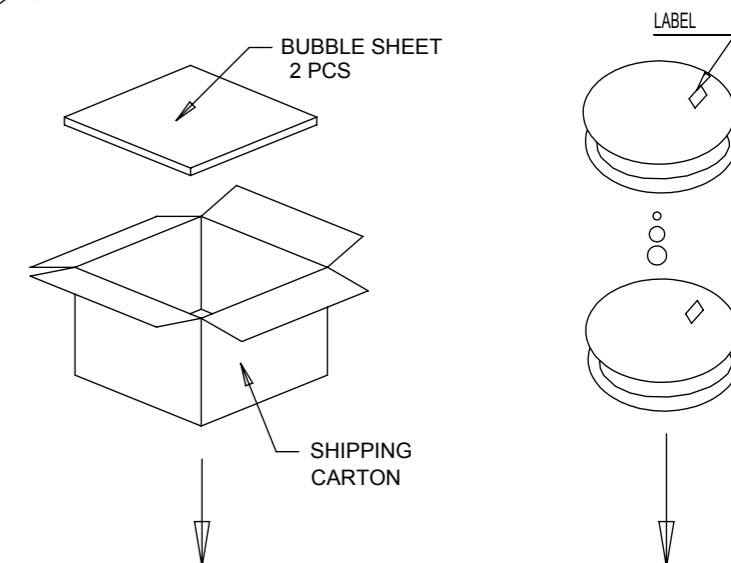
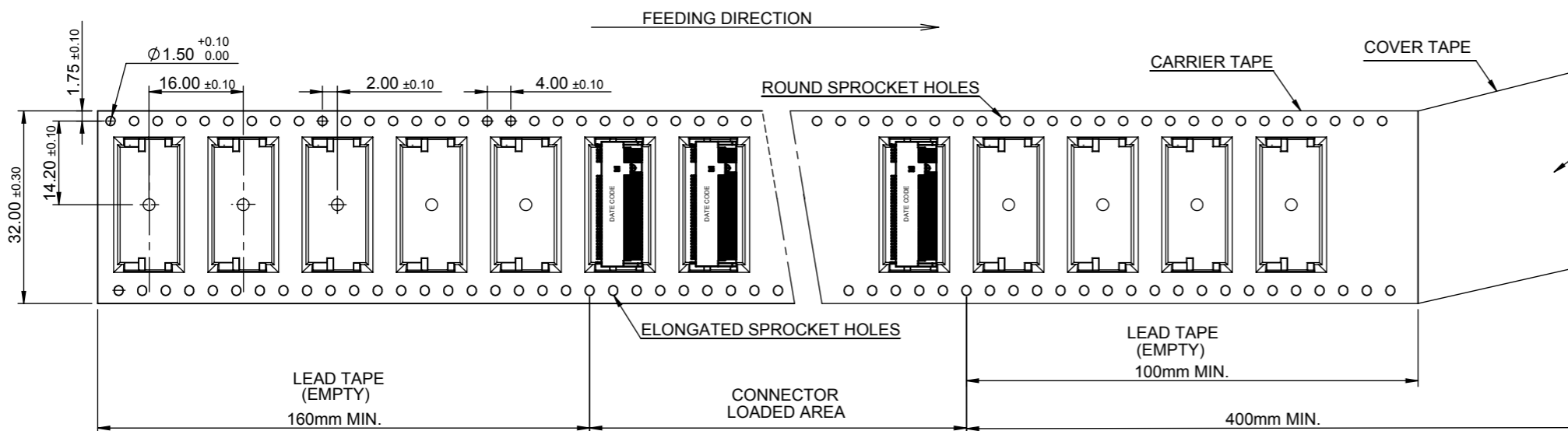
X.± 0.15	X° ±	UNITS mm
.X± 0.10	.X° ±	
.XX± 0.05	.XX° ±	FINISH
.XXX±	.XXX° ±	
THESE DRAWINGS AND SPECIFICATIONS ARE THE PROPERTY OF FOXCONN INTERCONNECT TECHNOLOGY LIMITED AND SHALL NOT BE REPRODUCED, COPIED OR USED IN ANY MANNER WITHOUT THE PRIOR WRITTEN CONSENT OF FOXCONN INTERCONNECT TECHNOLOGY LIMITED.		Q'TY

NAME(INTENDED USE)	M.2(NGFF) CONNECTOR(KEY M)
PART NO.(INTENDED USE)	2E0BC2*-S64BM-*H
APPD:	Davy Bu
CHKD:	Z.J.Chen
DRAW:	Allen Zhao 2017/3/18

FOXCONN®		
FOXCONN INTERCONNECT TECHNOLOGY LIMITED.		
CLASS: <input type="checkbox"/> CONFIDENTIAL <input type="checkbox"/> SECRET <input checked="" type="checkbox"/> GENERAL		
TITLE: CUSTOMER DRAWING		
DWG NO.: 317-0000-2909		
SCALE	SHEET	REV.
N/A	3/5	A

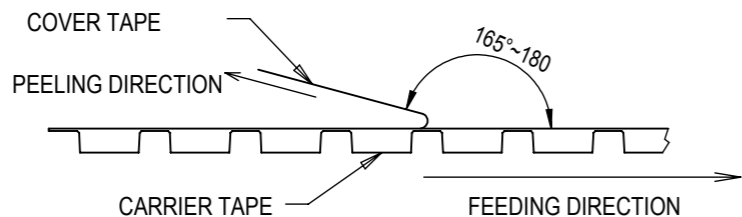
SOLIDWORK GENERATED DRAWING, DON'T CHANGE BY HAND

REV.	ECN. NO.	APPD.



NOTES:

- COVER TAPE PEELING STRENGTH : 0.01 kgf MIN & 0.13 kgf MAX. AT 300mm/min.
- 10 POCKETS HOLE PITCH CUMULATIVE TOLERANCE ±0.20mm.



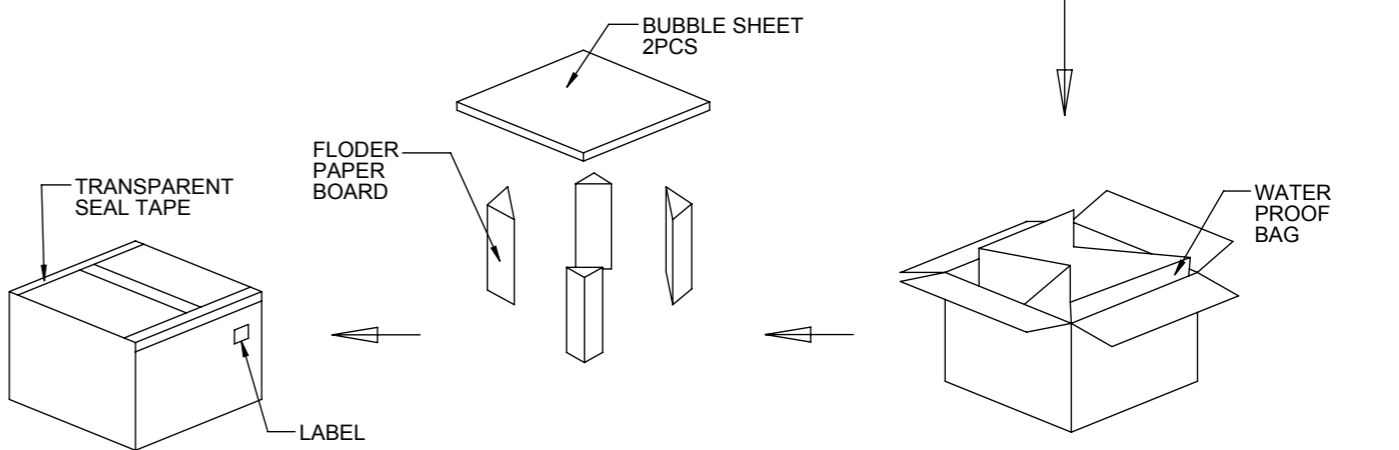
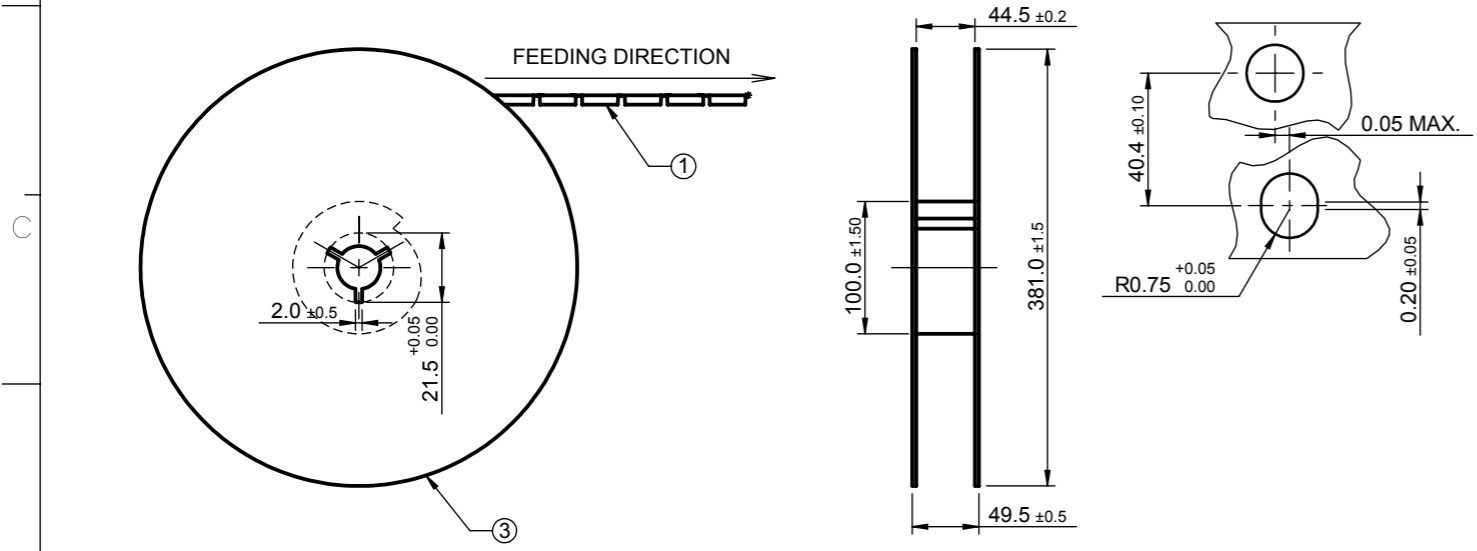
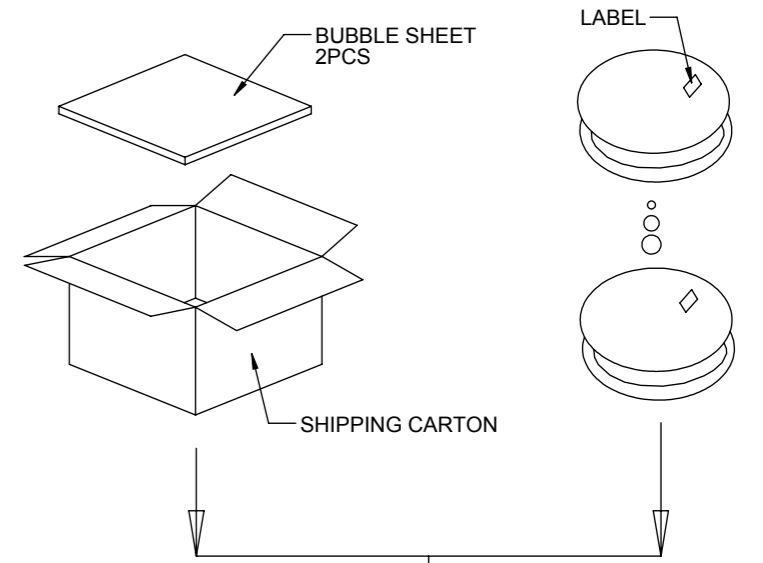
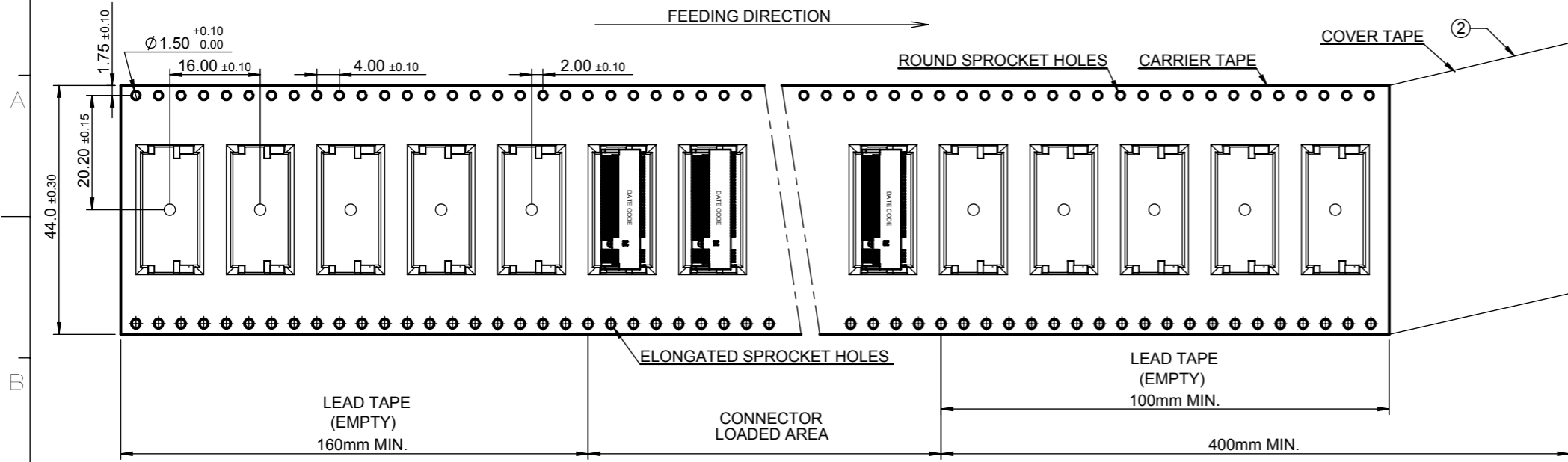
③	REEL	POLYSTYRENE
②	COVER TAPE	POLYESTER
①	CARRIER TAPE	POLYSTYRENE
ITEM	DESCRIPTION	MATERIAL

X. ± 0.30	X° ± 2°	UNITS mm	NAME(INTENDED USE)	FOXCONN® FOXCONN INTERCONNECT TECHNOLOGY LIMITED.
.X ± 0.25	.X° ± 1°	MAT'L	M.2(NGFF) CONNECTOR(KEY M)	
.XX ± 0.15	.XX° ±	FINISH	PART NO.(INTENDED USE)	CLASS: <input type="checkbox"/> CONFIDENTIAL <input type="checkbox"/> SECRET <input checked="" type="checkbox"/> GENERAL
.XXX ±	.XXX° ±		2E0BC2*-S64BM-*H	TITLE: CUSTOMER DRAWING
THESE DRAWINGS AND SPECIFICATIONS ARE THE PROPERTY OF FOXCONN INTERCONNECT TECHNOLOGY LIMITED, AND SHALL NOT BE REPRODUCED, COPIED OR USED IN ANY MANNER WITHOUT THE PRIOR WRITTEN CONSENT OF FOXCONN INTERCONNECT TECHNOLOGY LIMITED.			APPD: Davy Bu	DWG NO.: 317-0000-2909
			CHKD: Z.J.Chen	SCALE SHEET REV.
			DR: Allen Zhao 2017/3/18	N/A 4/5 A

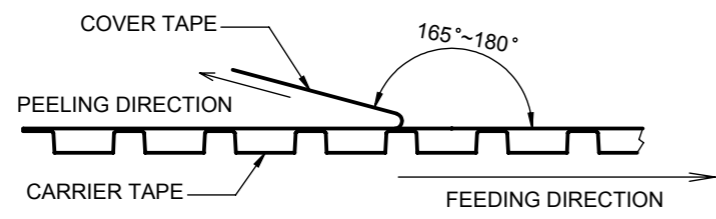
2E0BC2*-S64BM-7H	650	7	4550
P/N	PCS/REEL	REEL/BOX	PCS/BOX

SOLIDWORK GENERATED DRAWING, DON'T CHANGE BY HAND

REV.	ECN. NO.	APPD.



NOTES:
 1. COVER TAPE PEELING STRENGTH: 0.01kgf MIN. & 0.13kgf MAX. AT 300mm/min.
 2. 10 POCKETS HOLE PITCH CUMULATIVE TOLERANCE ±0.20mm.



ITEM	DESCRIPTION	MATERIAL
③	REEL	POLYSTYRENE
②	COVER TAPE	POLYESTER
①	CARRIER TAPE	POLYSTYRENE

X. ± 0.30	X° ± 2°	UNITS mm	NAME (INTENDED USE)	FOXCONN® FOXCONN INTERCONNECT TECHNOLOGY LIMITED.
.X ± 0.25	.X° ± 1°	MAT'L	M.2(NGFF) CONNECTOR(KEY M)	
.XX ± 0.15	.XX° ±	FINISH	PART NO. (INTENDED USE)	CLASS: <input type="checkbox"/> CONFIDENTIAL <input type="checkbox"/> SECRET <input checked="" type="checkbox"/> GENERAL
.XXX ±	.XXX° ±		2E0BC2*-S64BM-*H	TITLE: CUSTOMER DRAWING
THESE DRAWINGS AND SPECIFICATIONS ARE THE PROPERTY OF FOXCONN INTERCONNECT TECHNOLOGY LIMITED, AND SHALL NOT BE REPRODUCED, COPIED OR USED IN ANY MANNER WITHOUT THE PRIOR WRITTEN CONSENT OF FOXCONN INTERCONNECT TECHNOLOGY LIMITED.			APPD: Davy Bu	DWG NO.: 317-0000-2909
			CHKD: Z.J.Chen	SCALE SHEET REV.
			DR: Allen Zhao 2017/3/18	N/A 5/5 A

2E0BC2*-S64BM-LH	650	5	3250
P/N	PCS/REEL	REEL/BOX	PCS/BOX

X-ON Electronics

Largest Supplier of Electrical and Electronic Components

Click to view similar products for [Foxconn](#) manufacturer:

Other Similar products are found below :

[AS0A821-H2RB-7H](#) [PE41897-01NK5-1H](#) [JFM3811J-G140-4F](#) [QT012206-1031-2H](#) [UC11123-11KB-4F](#) [UEA11123-8EZ3-4H](#) [2EG04927-D2LN-DF](#) [SJ05201-A0](#) [UEA11123-QHD6-4H](#) [UB1112C-8FDE-4F](#) [3H993321-4M41-01H](#) [ATF5883-A2B30-2F](#) [ATF5883-A2B20-2F](#) [WNMBL60-1NNK0-EH](#) [WNMBP06-01NK0-EH](#) [HM3505E-P1](#) [AH58897-T2B20-3F](#) [DZ11AA1-H5A7-4F](#) [ASAA821-H4SB5-7H](#) [PE36473-01NK3-1H](#) [PE36473-01NK4-1H](#) [QH11121-DBT1-4F](#) [BBH1231-C1000-7H](#) [ATH4017-H3B-4F](#) [3S1020F3-AD4-4F](#) [2EF5B57-DA9DN-5F](#) [UEA01123-4FH1-4H](#) [2EM5407-B19BL-8F](#) [LU11683-B007-9H](#) [HB3106F](#) [LDH2363-33N20-7H](#) [ATH4017-H9LE-4F](#) [UEA1112C-UHS6-4F](#) [2EF5497-DA9DB-8H](#) [LDP2683-13A50-9H](#) [JPD1030-M301-7F](#) [2E0BC21-S64BM-7H](#) [2EZ00161-PH2-4F](#) [HC11051-D4](#) [LD1807F-S54TD](#) [2EG24927-D5D1-JF](#) [ASOB226-S52Q-7H](#) [AS0A626-HASN-7H](#) [HF5504E-P1LH](#) [JA634C-40ADA5B-7H](#) [AS0A621-H2R6-7H](#) [QT002206-4131-3H](#) [JFM24U11-21C3-4F](#) [EH06003-DAW-DF](#) [AS0B221-S52Q-7H](#)