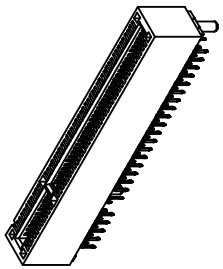


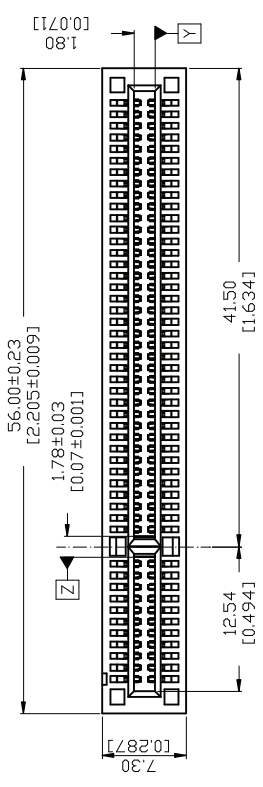
1 2 3 4 5 6 7 8

REV.	ECN	NO.	APPD.
A	BC-07-7068251	C.C. Huang	

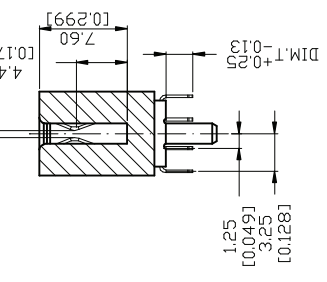
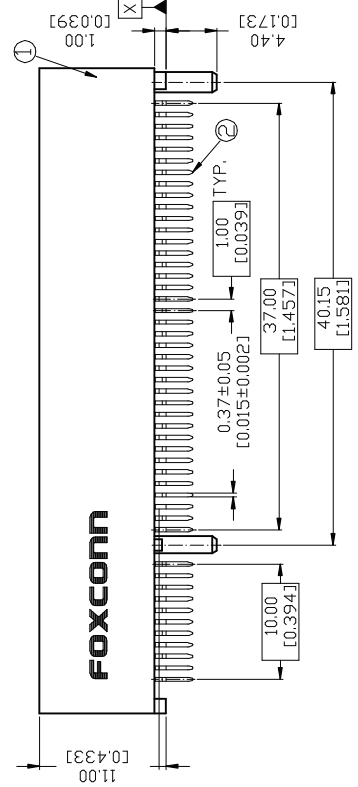


NOTES:

- ELECTRICAL CHARACTERISTICS:
 - CURRENT RATING: 1.1 A MIN., 30°C RISE ABOVE AMBIENT.
 - CONTACT RESISTANCE: 30 MILLIOHMS MAX. INITIAL, 50 MILLIOHMS MAX. AFTER TEST.
 - INSULATION RESISTANCE: 1000 MEGOHMS MIN.
 - DIELECTRICAL WITHSTAND VOLTAGE: 500 V AC MIN. AT SEA LEVEL.
- MECHANICAL CHARACTERISTICS:
 - CONTACT INSERTION FORCE: 1.15 N MAX. PER CONTACT PAIR.
 - CONTACT REMOVAL FORCE: 0.15 N MIN. PER CONTACT PAIR.
 - DURABILITY: 50 MATING AND UNMATING CYCLES.
 - CONTACT RETENTION FORCE: 4.9 N MIN.
- ENVIRONMENTAL CHARACTERISTICS:
 - OPERATING TEMPERATURE RANGE: -40°C TO +105°C.
- PLEASE CONTACT FOXCONN SALES REPRESENTATIVE TO VERIFY PRODUCTION DETAILS & AVAILABILITY
- RECOMMENDED PROCESS CONDITION: WAVE SOLDER, 260°C, 3~5 S.



ACCEPT 1.57±0.13
[0.062±0.005]
ADD-IN CARD
4.40 [0.173]



PROD. NO.: 2EG 0 *** * - D2LN- **

FIELD PRODUCT SERIES:
2EG= PCI EXPRESS

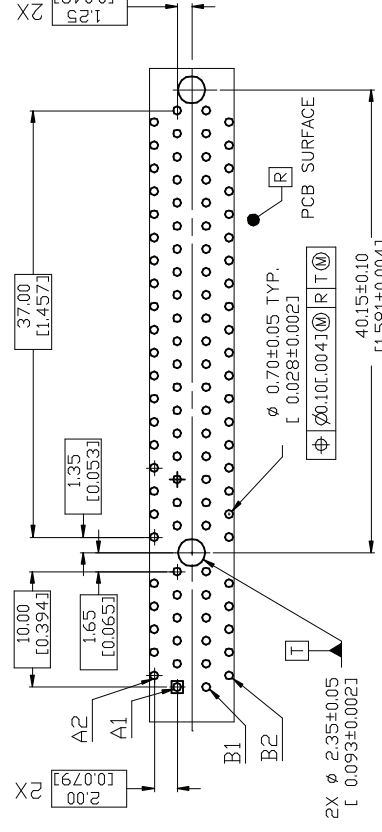
TERMINAL TYPE:
0= VERTICAL TYPE
ND. OF POS. 49= 98 POSITIONS

PLATING TYPE:
DF= LEAD FREE

EXTENSION CODE

CONTACT AREA GOLD PLATING:
1= GOLD FLASH
7= 15μ" GOLD
3= 30μ" GOLD

TAIL LENGTH:
1= 2.30mm
2= 3.10mm



RECOMMENDED PCB LAYOUT

2	CONTACT	COPPER ALLOY	500μ" MIN. NICKEL PLATING OVER ALL UNPLATED, 1000μ" MIN. TIN PLATING OVER NICKEL AT TAIL, GOLD PLATING ON CONTACT AREA.	PRODUCT NUMBER	2EG0492*-D2LN-** 3.10[1.22]
1	HOUSING	THERMOPLASTIC UL 94V-0	MOLD BLUE 66IC	PRODUCT NUMBER	2EG0491*-D2LN-** 2.30[0.90]
ITEM	DESCRIPTION	MATERIAL	TREATMENT	DIM. T	
X±	X±	UNITS INCH	NAME(UNDESIGNED USE)	TITLE: PCI Express CUSTOMER DRAWING	
X±	X±	MAT'L	VERTICAL, T/H 1.00mm PITCH	APPD: C.C. Huang 10/19/07	
XX±	XX±	FINISH	PART NO.(UNDESIGNED USE)	CHKD: Tin-Suen Liu 10/19/07	
XXX±	XXX±	QTY	2EG049***-D2LN-**	DR: V.J. Tang 10/19/07	
THESE DRAWINGS AND SPECIFICATIONS ARE THE PROPERTY OF HON HAI PRECISION IND. CO., LTD. AND SHALL NOT BE REPRODUCED OR TRANSMITTED IN ANY FORM OR BY ANY MEANS WITHOUT THE WRITTEN CONSENT OF HON HAI PRECISION IND. CO., LTD.			DWG. NO.: 303-0000-1652		
			SCALE SHEET REV. N/A 1/2 A		



HON HAI PRECISION IND. CO., LTD.
TAIPEI, TAIWAN, R.O.C.

SCALE	SHEET	REV.
N/A	1/2	A

1 2 3 4 5 6 7 8

X-ON Electronics

Largest Supplier of Electrical and Electronic Components

Click to view similar products for [Foxconn](#) manufacturer:

Other Similar products are found below :

[AS0A821-H2RB-7H](#) [PE41897-01NK5-1H](#) [JFM3811J-G140-4F](#) [QT012206-1031-2H](#) [UC11123-11KB-4F](#) [UEA11123-8EZ3-4H](#) [2EG04927-D2LN-DF](#) [SJ05201-A0](#) [UEA11123-QHD6-4H](#) [UB1112C-8FDE-4F](#) [3H993321-4M41-01H](#) [ATF5883-A2B30-2F](#) [ATF5883-A2B20-2F](#) [WNMBL60-1NNK0-EH](#) [WNMBP06-01NK0-EH](#) [HM3505E-P1](#) [AH58897-T2B20-3F](#) [DZ11AA1-H5A7-4F](#) [ASAA821-H4SB5-7H](#) [PE36473-01NK3-1H](#) [PE36473-01NK4-1H](#) [QH11121-DBT1-4F](#) [BBH1231-C1000-7H](#) [ATH4017-H3B-4F](#) [3S1020F3-AD4-4F](#) [2EF5B57-DA9DN-5F](#) [UEA01123-4FH1-4H](#) [2EM5407-B19BL-8F](#) [LU11683-B007-9H](#) [HB3106F](#) [LDH2363-33N20-7H](#) [ATH4017-H9LE-4F](#) [UEA1112C-UHS6-4F](#) [2EF5497-DA9DB-8H](#) [LDP2683-13A50-9H](#) [JPD1030-M301-7F](#) [2E0BC21-S64BM-7H](#) [2EZ00161-PH2-4F](#) [HC11051-D4](#) [LD1807F-S54TD](#) [2EG24927-D5D1-JF](#) [ASOB226-S52Q-7H](#) [AS0A626-HASN-7H](#) [HF5504E-P1LH](#) [JA634C-40ADA5B-7H](#) [AS0A621-H2R6-7H](#) [QT002206-4131-3H](#) [JFM24U11-21C3-4F](#) [EH06003-DAW-DF](#) [AS0B221-S52Q-7H](#)