

SPECIFICATIONS

PCI-E Connector

Mechanical

Contact Retention Force: 4.9N min. per pin
Durability: 50 Cycles
Insertion Force(Per Contact pair): 1.15N max per contact pair
Removal Force(Per Contact pair): 0.15N min per contact pair.

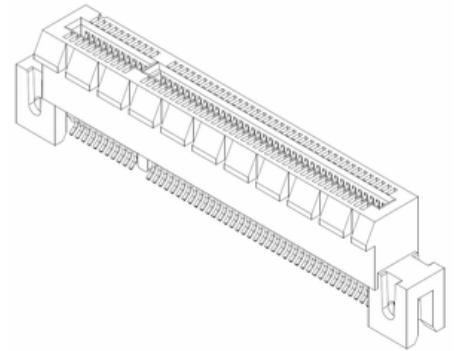
Straddle Mount Type
1.00mm [.039"] Pitch
98 Pos.

Electrical

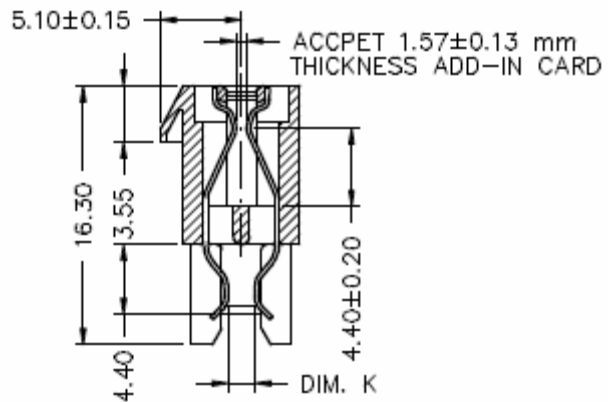
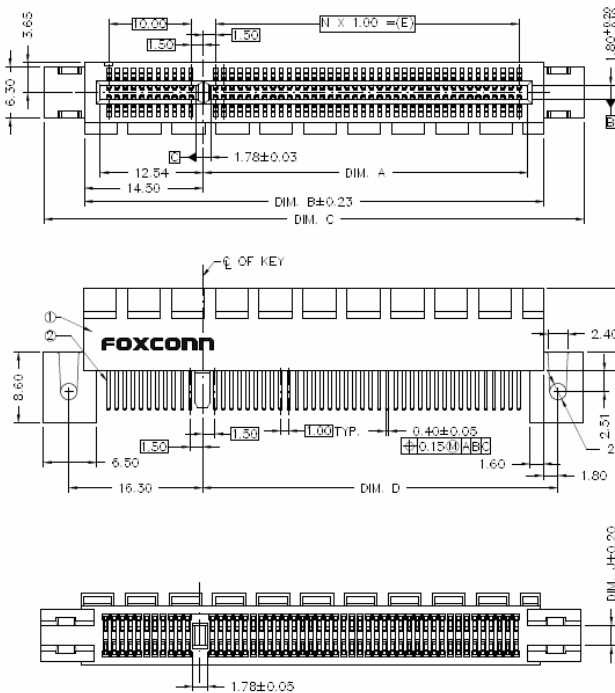
Current Rating: 1.1 A min per pin, 30°C above ambient
Insulation Resistance: 1000MΩ min. at 500V DC
Dielectric Withstanding Voltage: 500V AC min at Sea Level
Contact Resistance: 30mΩ max. initial, 50mΩ max. after test

Physical

Housing: Thermoplastic; UL 94V-0; Color: Black
Contact: COPPER ALLOY
Operating Temperature: -40°C to +105°C



DRAWING



ORDERING INFORMATION

PROD. NO.: 2EG 2 ** * - D5D1 - 4F

FIELD PRODUCT SERIES:
 2EG= PCI EXPRESS

TERMINAL TYPE:
 2= STRADDLE MOUNT TYPE

NO. OF POS.
 49= 98 POSITIONS
 82= 164 POSITIONS

PLATING TYPE:
 4F= LEAD FREE
 RoHS COMPLIANT

EXTENSION CODE
 CONTACT AREA GOLD PLATING:
 1= GOLD FLASH
 7= 15u" GOLD
 3= 30u" GOLD

TAIL GAP:
 1= FOR 1.57 mm THICKNESS PCB
 2= FOR 2.08 mm THICKNESS PCB
 3= FOR 2.36 mm THICKNESS PCB

ITEM	DESCRIPTION	Q'TY	MATERIAL		TREATMENT				
2	CONTACT	SEE DENOMINATION	COPPY ALLOY		50u" NICKEL PLATING OVERALL UNDERPLATED, 100u" TIN PLATING OVER NICKEL AT TAIL, GOLD PLATING ON CONTACT AREA.				
1	HOUSING	1	THERMOPLASTIC UL 94V-0		MOLDED BLACK				
2EG2823*-D5D1-4F		70	72.54	89.00	98.8	76.30	70.00	2.65	2.02
2EG2822*-D5D1-4F								2.80	2.02
2EG2493*-D5D1-4F		37	39.54	56.00	65.8	43.30	37.00	2.50	1.80
2EG2491*-D5D1-4F								2.00	1.30
PART NUMBER	N		DIM. A	DIM. B	DIM. C	DIM. D	DIM. E	DIM. J	DIM. K

X-ON Electronics

Largest Supplier of Electrical and Electronic Components

Click to view similar products for [Foxconn](#) manufacturer:

Other Similar products are found below :

[AS0A821-H2RB-7H](#) [PE41897-01NK5-1H](#) [JFM3811J-G140-4F](#) [QT012206-1031-2H](#) [UC11123-11KB-4F](#) [UEA11123-8EZ3-4H](#) [2EG04927-D2LN-DF](#) [SJ05201-A0](#) [UEA11123-QHD6-4H](#) [UB1112C-8FDE-4F](#) [3H993321-4M41-01H](#) [ATF5883-A2B30-2F](#) [ATF5883-A2B20-2F](#) [WNMBL60-1NNK0-EH](#) [WNMBP06-01NK0-EH](#) [HM3505E-P1](#) [AH58897-T2B20-3F](#) [DZ11AA1-H5A7-4F](#) [ASAA821-H4SB5-7H](#) [PE36473-01NK3-1H](#) [PE36473-01NK4-1H](#) [QH11121-DBT1-4F](#) [BBH1231-C1000-7H](#) [ATH4017-H3B-4F](#) [3S1020F3-AD4-4F](#) [2EF5B57-DA9DN-5F](#) [UEA01123-4FH1-4H](#) [2EM5407-B19BL-8F](#) [LU11683-B007-9H](#) [HB3106F](#) [LDH2363-33N20-7H](#) [ATH4017-H9LE-4F](#) [UEA1112C-UHS6-4F](#) [2EF5497-DA9DB-8H](#) [LDP2683-13A50-9H](#) [JPD1030-M301-7F](#) [2E0BC21-S64BM-7H](#) [2EZ00161-PH2-4F](#) [HC11051-D4](#) [LD1807F-S54TD](#) [2EG24927-D5D1-JF](#) [ASOB226-S52Q-7H](#) [AS0A626-HASN-7H](#) [HF5504E-P1LH](#) [JA634C-40ADA5B-7H](#) [AS0A621-H2R6-7H](#) [QT002206-4131-3H](#) [JFM24U11-21C3-4F](#) [EH06003-DAW-DF](#) [AS0B221-S52Q-7H](#)