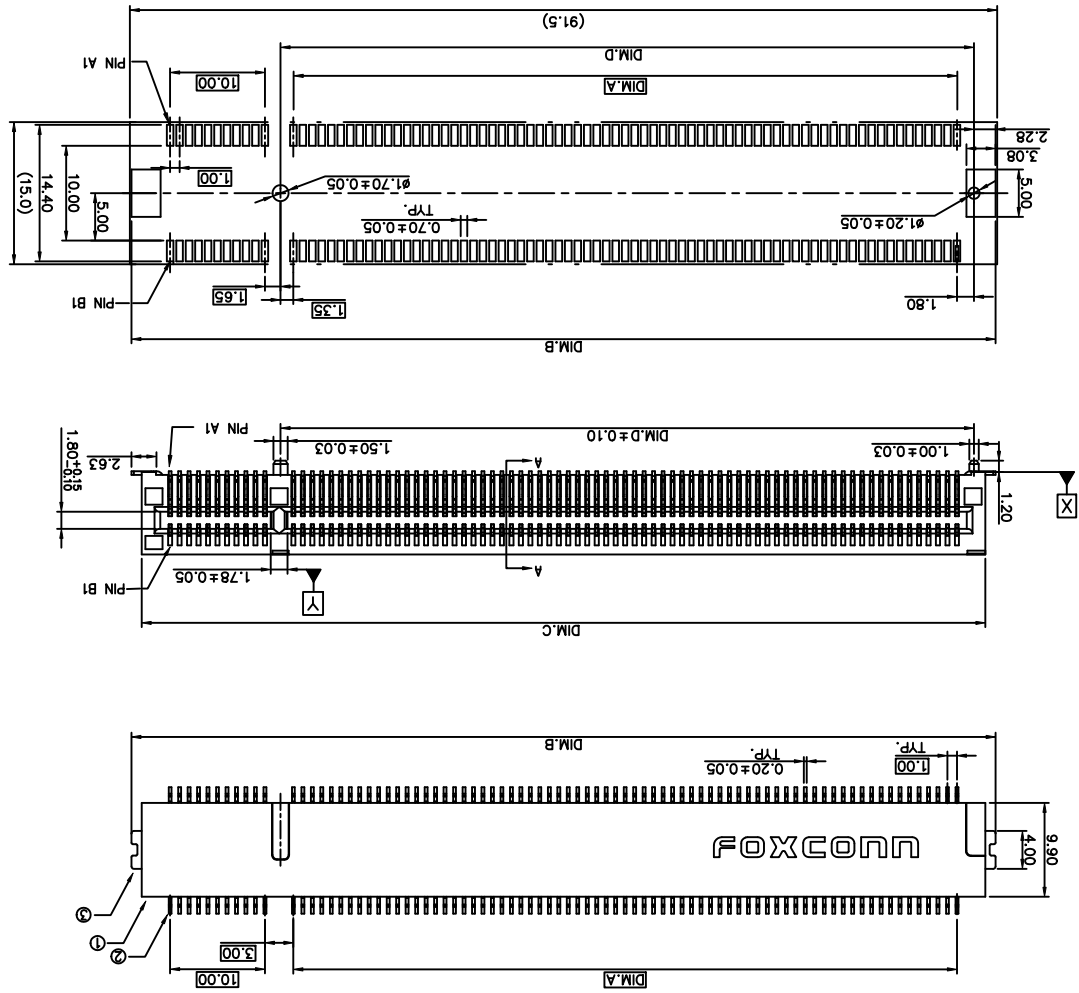


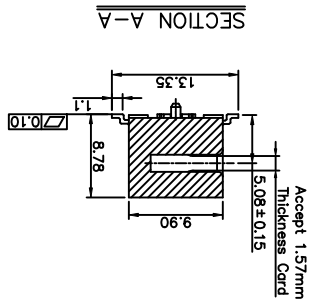
PART NO.	DIM.A	DIM.B	DIM.C	DIM.D	DIM.E
2EGL829*-B2D*-**	70.00	91.15	89.00	73.15	91.5
2EGL499*-B2D*-**	37.00	58.15	56.00	40.15	58.5

RECOMMENDED PCB LAYOUT



X ±	X ± 2	X ± 1	X ± 0.25	.XXX ±
	MM	MAT'L	FINISH	Q'TY
NAME (INTENDED USE)		PART NO. (INTENDED USE)		
R/A Gen3.0 SMT PCI-E		2EGL****-B2D*-**		
FOXCONN TECHNOLOGY LIMITED		CLASS: CONFIDENTIAL / SECRET / GENERAL		
TITLE: CUSTOMER DRAWING		APPD: Davy Bu 11/10'15		
CHKD: Johnny Tang 11/10'15		DR: Qin Teng 11/10'15		

ITEM	DESCRIPTION	Q'TY	MATERIAL	TREATMENT
1	HOUSING	1	THERMOPLASTIC LCP	MOLDED BLACK
2	CONTACT	SEE P/N	COPPER ALLOY, PH/BR	NICKEL PLATING OVER ALL UNDERPLATED. TIN PLATING OVER NICKEL AT TAIL.
3	PAD	2	COPPER ALLOY, PH/BR	NICKEL PLATING OVER ALL UNDERPLATED. TIN PLATING OVER NICKEL.



NOTE:

- ELECTRICAL CHARACTERISTICS:
  - 1-1. INSULATION RESISTANCE: 1000 MEGA OHMS MIN.
  - 1-2. DIELECTRIC WITHSTAND VOLTAGE: 500VAC R.M.S. MIN. AT SEA LEVEL.
  - 1-3. SIGNAL CONTACT RESISTANCE: 30 MILLIOHMS MAX. INITIAL.
- MECHANICAL CHARACTERISTICS:
  - 2-1. DURABILITY: 50 CYCLES.
  - 2-2. CONTACT RETENTION FORCE: 0.5KGf MIN.
  - 2-3. TAIL COPLANARITY TO BE 0.10mm MAX. PCB COPLANARITY TO BE 0.03mm MAX. ON CONNECTOR AREA.
- ENVIRONMENTAL CHARACTERISTICS:
  - 3-1. OPERATION TEMPERATURE RANGE: -55°C TO +105°C.

PRD. NO. ZEG L \*\* 9 \* - B2D \* - \*\*

SERIES PREFIX: PCI-E

TERMINATION TYPE: R/A GEN3.0

NO. OF POS.: 49: 98 POS. 82: 164 POS.

GOLD PLATING: 1: GOLD FLASH 3: 30U" GOLD 7: 15U" GOLD

EXTENSION CODE: 0: NONE M: MATTE TIN

GREEN CODE: 4H: LEAD FREE & HALOGEN FREE 4F: LEAD FREE R6HS COMPLIANT

REV.	ECN NO.	APPD.
A	BC-15-0001368	Davy Bu
B	BC-15-0055133	Davy Bu



## X-ON Electronics

Largest Supplier of Electrical and Electronic Components

*Click to view similar products for [Standard Card Edge Connectors](#) category:*

*Click to view products by [Foxconn](#) manufacturer:*

Other Similar products are found below :

[6565204-6](#) [PKC-156](#) [1437274-4](#) [147889-1](#) [1489165-4](#) [EBT156-12B1X](#) [EBT15622B2X](#) [EBT156-22R2W](#) [1-582587-1](#) [1-582589-1](#) [2-6437275-9](#) [284-0102-12100](#) [306022901000000](#) [307-012-502-202](#) [307-024-526-201](#) [307-056-520-300](#) [307-080-526-208](#) [1926088-2](#) [245-062-520-350](#) [287-0032-12101](#) [306-010-500-112](#) [306-028-525-102](#) [306-240-318](#) [307-036-502-202](#) [307-036-521-301](#) [307-072-526-202](#) [345-060-559-303](#) [368-004-520-201](#) [392-008-559-201](#) [534671-1](#) [5-530501-5](#) [341-240-317](#) [345-029-520-300](#) [345-030-500-301](#) [345-044-500-300](#) [345-220-058](#) [346-240-318](#) [387-012-523-300](#) [395-044-520-300](#) [395-100-524-300](#) [50-12B-10](#) [50-6SN-5](#) [09-07-2032](#) [10035388-106LF](#) [10035388-802LF](#) [10115859-011LF](#) [10122859-009LF](#) [101269333204245CLF](#) [10127905-B04B24BLF](#) [530555-1](#)