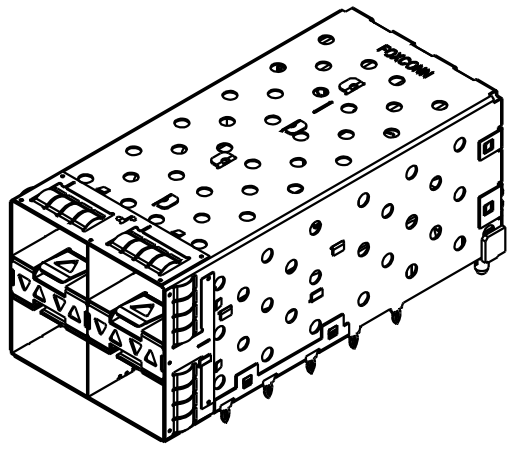
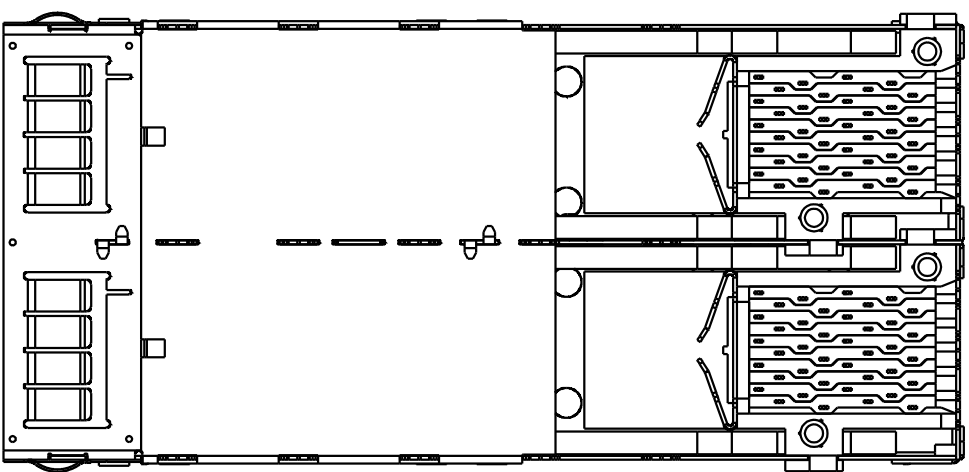
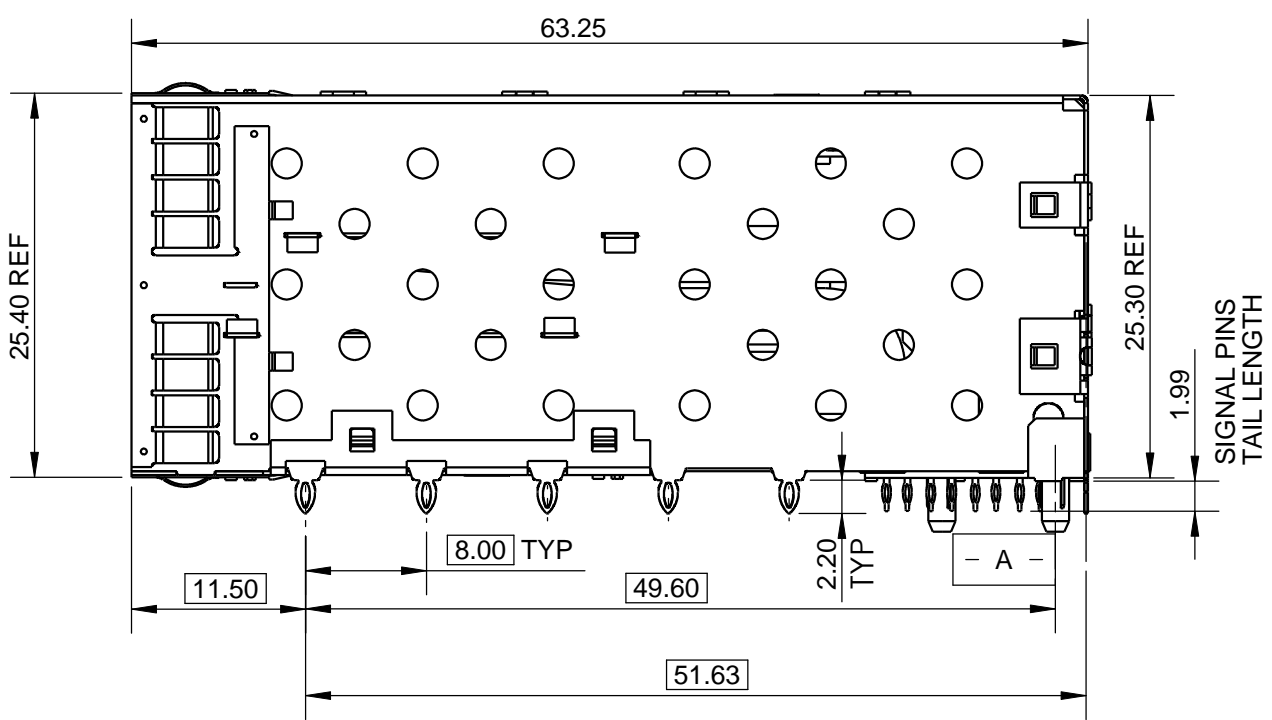
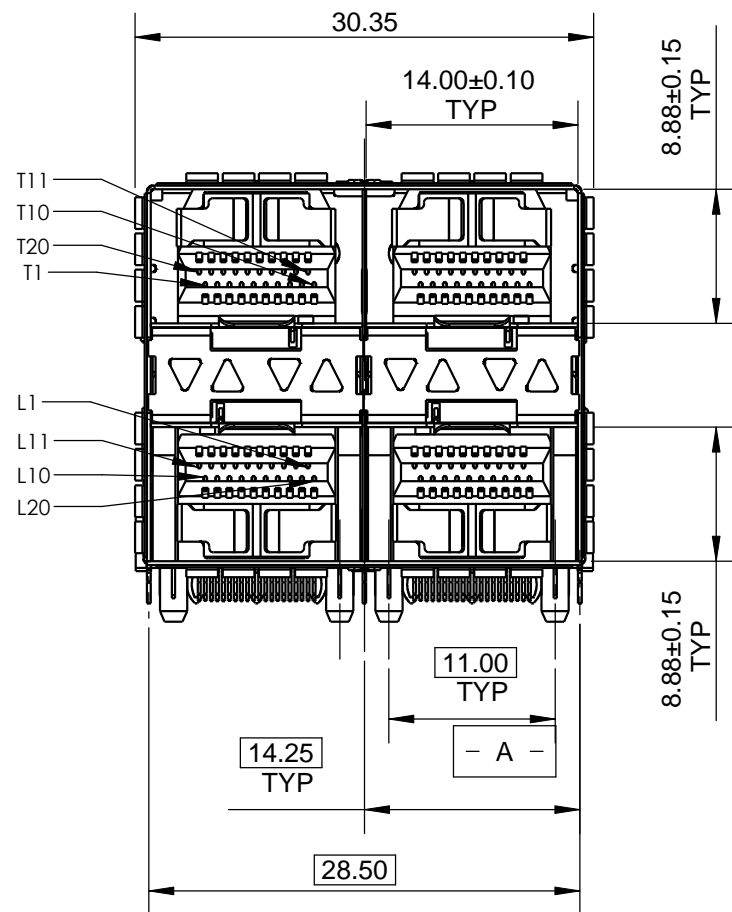


REV.	ECN. NO	APPD
A	BC-13-0026816	CAMVARD
B	BC-13-0046742	CAMVARD
C	BC-14-0017558	CAMVARD
D	BC-14-0021949	CAMVARD



WITH FULL LIGHT PIPE

PART LIST

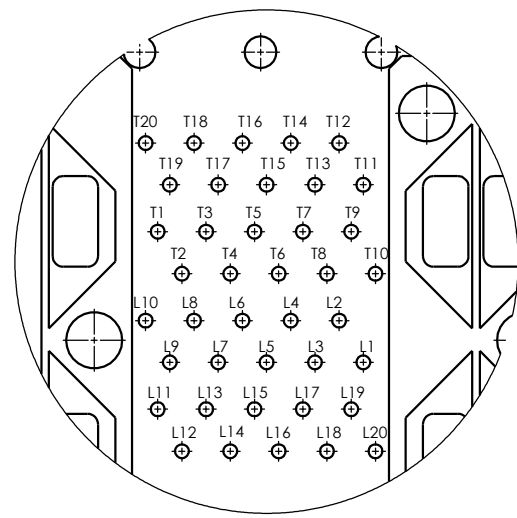
3S1020F3-AD4-4 F

F: SFP PLUS 2XN CONNECTOR
 3:30 u" GOLD PLATING
 A: CAGE/CONNECTOR INTEGRAL

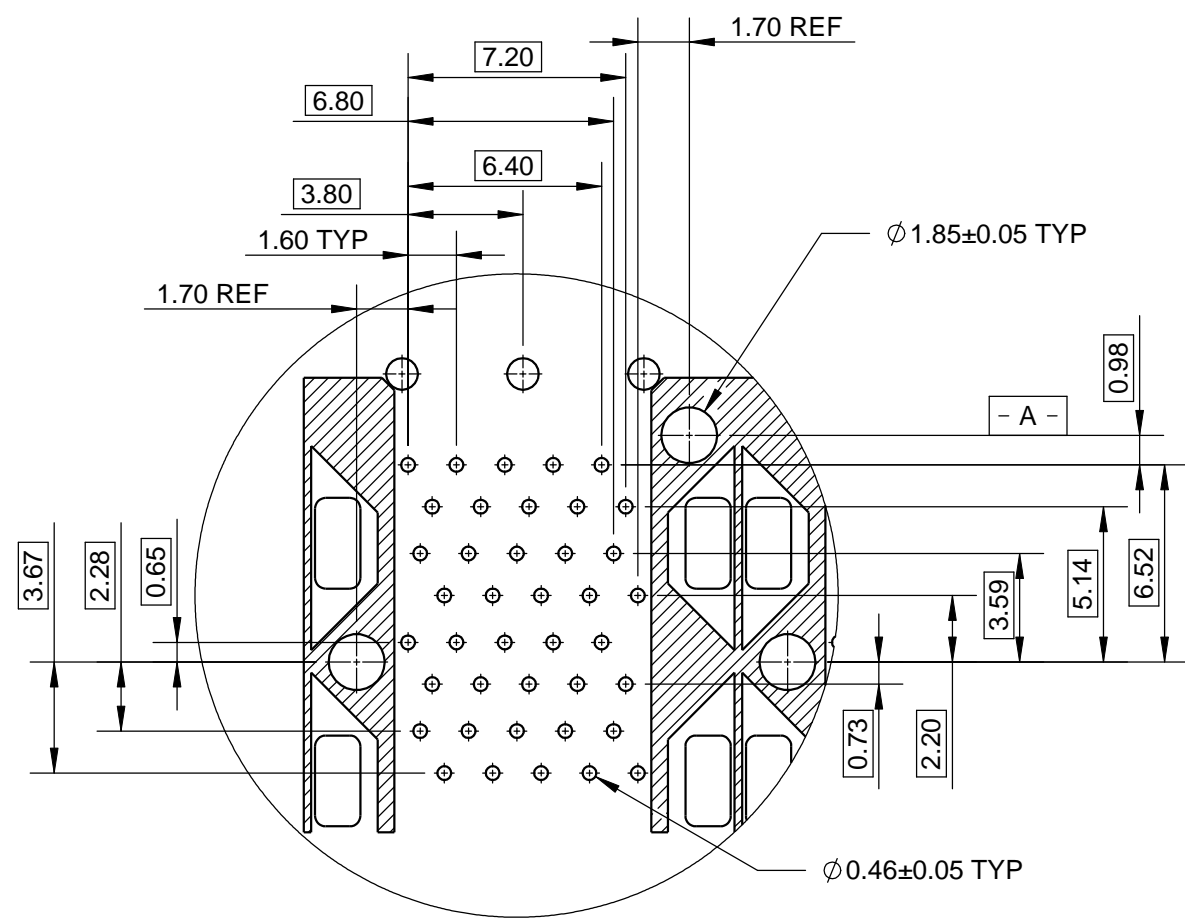
LEAD FREE CODE
 F: LEAD FREE NONE:TIN/LEAD
 PACKING TYPE
 4:TRAY
 D: SFP+2X2,WITH LIGHT PIPE INTEGRAL

- NOTES, UNLESS OTHERWISE SPECIFIED:**
- △ MATERIAL:**
 CONNECTOR HOUSING: THERMAL PLASTIC, UL94 V-0.
 CONTACT: COPPER ALLOY.
 CONNECTOR I/M: THERMAL PLASTIC, UL94 V-0
 CAGE ASSEMBLY: COPPER ALLOY
 LIGHT PIPE: POLYCARBONITE, UL94 V-0.
 - △ FINISH:**
 CONTACT:
 1) 50u" MIN. NICKEL UNDER PLATING.
 2) 30u" MIN. TIN/LEAD OR TIN PLATING AT PRESS FIT AREA.
 3) 30u" MIN. GOLD PLATING AT CONTACT AREA.
 - 3. PRESS FIT HOLES:**
 CONTACT:
 1) HOLE DIAMETER AFTER PLATING: 0.41~0.51mm.
 2) DRILLED HOLE: 0.535~0.585mm.
 - CAGE:**
 1) HOLE DIAMETER AFTER PLATING: 1.00~1.10mm.
 2) DRILLED HOLE: 1.125~1.175mm.

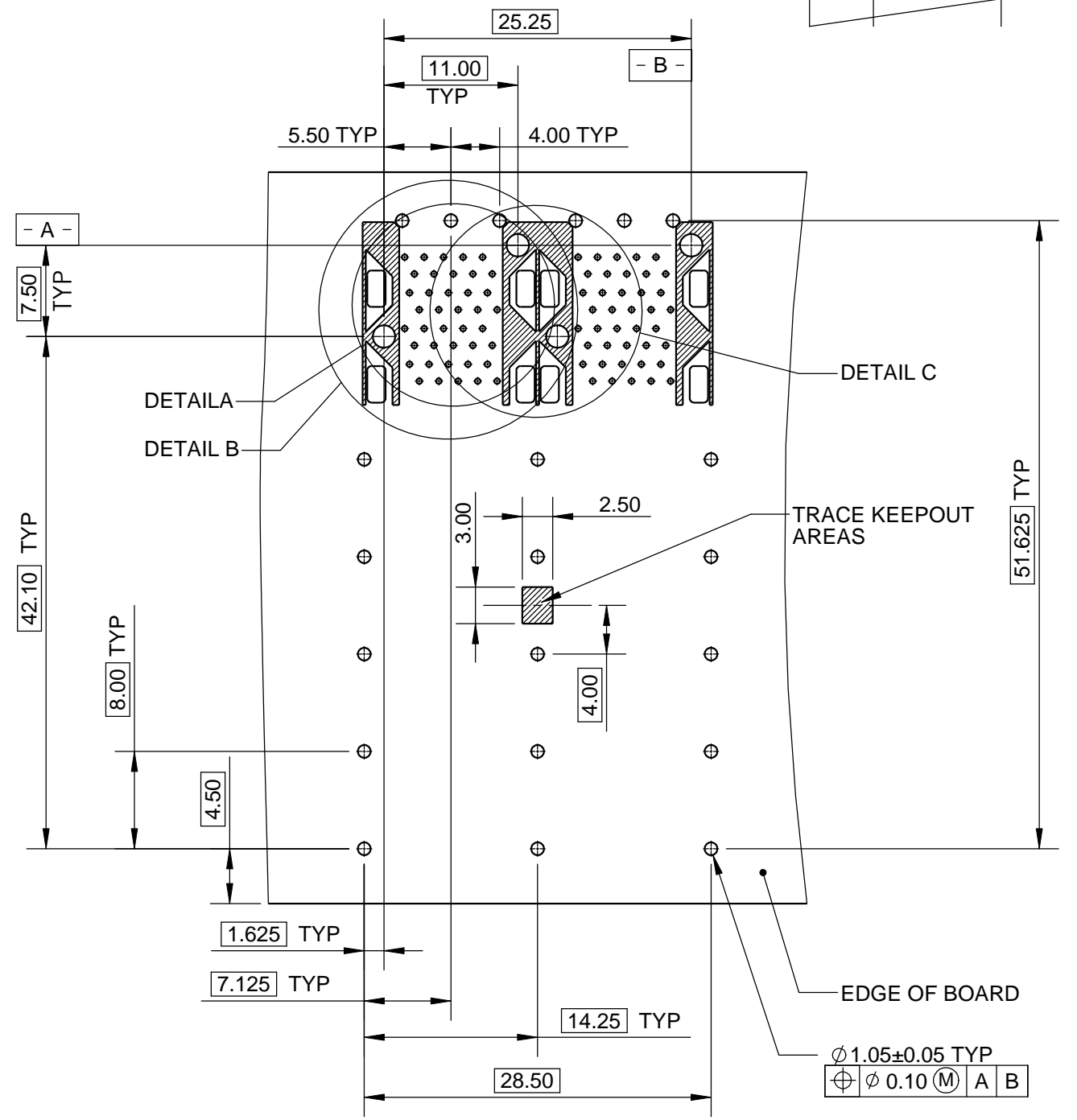
X.±	X.° ± 5°	UNITS mm	NAME (INTENDED USE)	FOXCONN
.X ± 0.25	.X° ±	MAT'L	SFP PLUS 2x2 CAGE&CONN	FOXCONN INTERCONNECT TECHNOLOGY LIMITED
.XX ± 0.15	.XX° ±	$\Delta 1$	PART NO. (INTENDED USE) 3S1020F3-**4-4F	CLASS: <input type="checkbox"/> CONFIDENTIAL <input type="checkbox"/> SECRET <input checked="" type="checkbox"/> GENERAL TITLE: CUSTOMER DRAWING
.XXX ±	.XXX° ±	FINISH $\Delta 2$	APPD: CAMVARD 2014/5/5	DWG NO.: 323-0000-1785
<small>THESE DRAWINGS AND SPECIFICATIONS ARE THE PROPERTY OF FOXCONN INTERCONNECT TECHNOLOGY LIMITED, AND SHALL NOT BE REPRODUCED, COPIED OR USED IN ANY MANNER WITHOUT THE PRIOR WRITTEN CONSENT OF HON HAI PRECISION IND. CO., LTD.</small>			CHKD: ROBIN 2014/5/5	SCALE SHEET REV. 2:1 1/6 D
			DR: JERRY TIAN 2014/5/5	



DETAIL A
SCALE 4 : 1

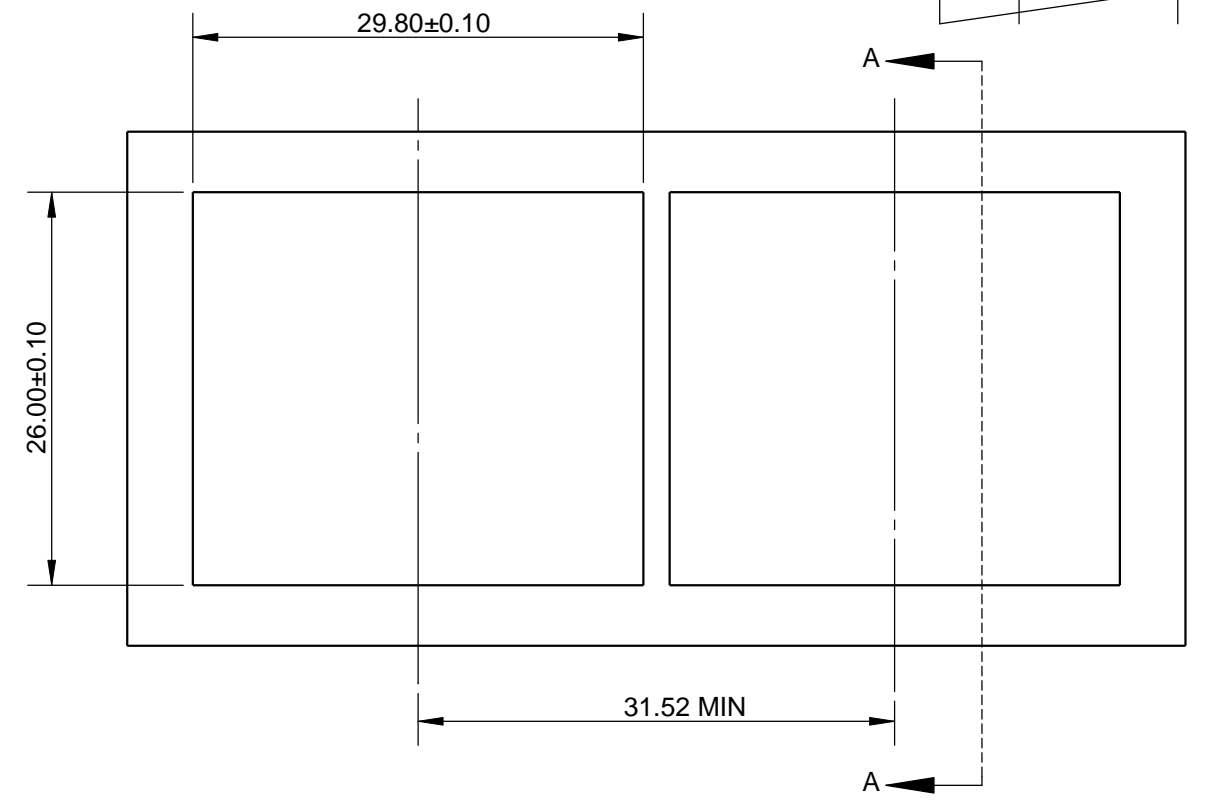
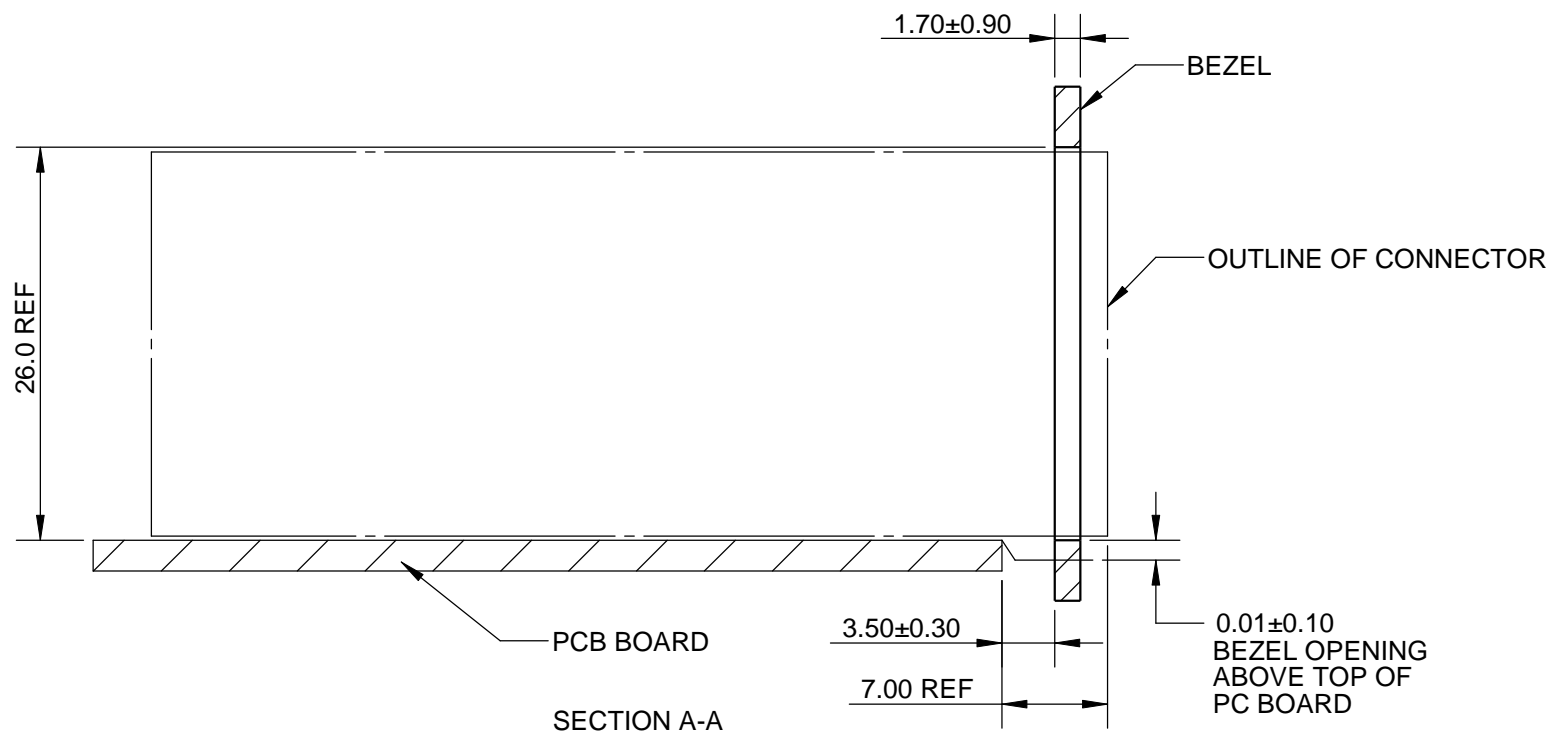


DETAIL B
SCALE 4 : 1

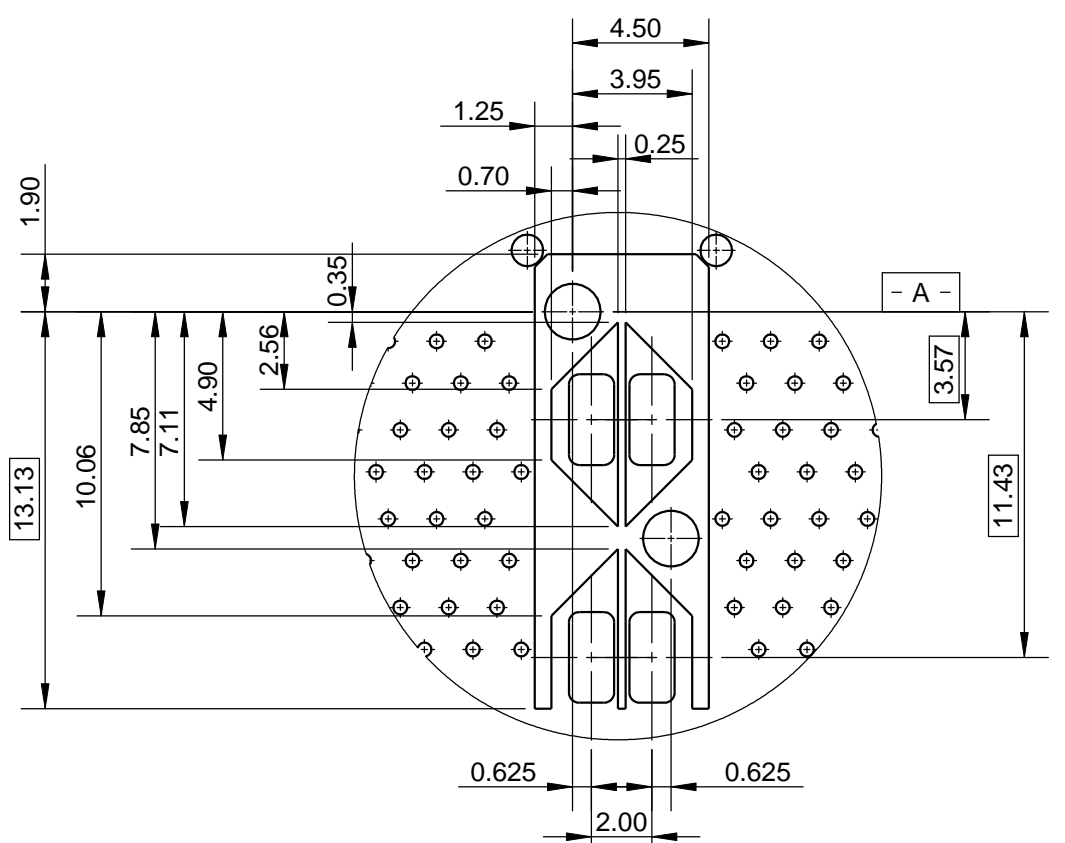


X.±	X.± 5°	UNITS mm	NAME (INTENDED USE)	FOXCONN FOXCOON INTERCONNECT TECHNOLOGY LIMITED
.X± 0.25	.X±	MAT'L	SFP PLUS 2x2 CAGE&CONN	
.XX± 0.15	.XX±		PART NO. (INTENDED USE)	CLASS: <input type="checkbox"/> CONFIDENTIAL <input type="checkbox"/> SECRET <input checked="" type="checkbox"/> GENERAL
.XXX±	.XXX±	FINISH	3S1020F3-**4-4F	TITLE: CUSTOMER DRAWING
THESE DRAWINGS AND SPECIFICATIONS ARE THE PROPERTY OF FOXCOON INTERCONNECT TECHNOLOGY LIMITED. AND SHALL NOT BE REPRODUCED, COPIED OR USED IN ANY MANNER WITHOUT THE PRIOR WRITTEN CONSENT OF HON HAI PRECISION IND. CO., LTD.		Q'TY	APPD: CAMVARD 2014/5/5	DWG NO.: 323-0000-1785
			CHKD: ROBIN 2014/5/5	SCALE SHEET REV. 2:1 5/6 D
			DR: JERRY TIAN 2014/5/5	

REV.	ECN. NO.	APPD.



BEZEL CUT-OUT CENTER SPACING DETAL
BEZEL THICKNESS:0.8-2.6mm



DETAIL C
SCALE 4:1

X.±	X̂.± 5°	UNITS mm	NAME (INTENDED USE)	FOXCONN FOXCOON INTERCONNECT TECHNOLOGY LIMITED						
.X± 0.25	.X̂ ±		SFP PLUS 2x2 CAGE & CONN							
.XX± 0.15	.XX̂ ±		MAT'L	PART NO. (INTENDED USE)	CLASS: <input type="checkbox"/> CONFIDENTIAL <input type="checkbox"/> SECRET <input checked="" type="checkbox"/> GENERAL TITLE: CUSTOMER DRAWING					
.XXX ±	.XXX̂ ±	FINISH	APPD: CAMVARD	DWG NO.:						
				2014/5/5	323-0000-1785					
THESE DRAWINGS AND SPECIFICATIONS ARE THE PROPERTY OF FOXCOON INTERCONNECT TECHNOLOGY LIMITED, AND SHALL NOT BE REPRODUCED, COPIED OR USED IN ANY MANNER WITHOUT THE PRIOR WRITTEN CONSENT OF HON HAI PRECISION IND. CO., LTD.			CHKD: ROBIN	<table border="1"> <tr> <td>SCALE</td> <td>SHEET</td> <td>REV.</td> </tr> <tr> <td>2:1</td> <td>6/6</td> <td>D</td> </tr> </table>	SCALE	SHEET	REV.	2:1	6/6	D
			SCALE		SHEET	REV.				
			2:1	6/6	D					
Q'TY			DR: JERRY TIAN							
			2014/5/5							

X-ON Electronics

Largest Supplier of Electrical and Electronic Components

Click to view similar products for [Foxconn manufacturer:](#)

Other Similar products are found below :

[2E0BC21-S64BM-7H](#) [2E0BC21-S85BM-7H](#) [2EF5497-DA9D0-8H](#) [2EF5497-DA9DB-8H](#) [2EF5B57-DA9DN-5F](#) [2EG04927-D2DB-DF](#)
[2EG04927-D2D-DF](#) [2EG04927-D2LN-DF](#) [2EG08217-D2D-DF](#) [2EG14917-D2D8-4F](#) [2EG24927-D5D1-JF](#) [2EG28213-D5D-4F](#) [2EM5407-](#)
[B19BL-8F](#) [2EZ00161-PH2-4F](#) [3H993321-4M41-01H](#) [3S000000-3L-4F](#) [3S1020F3-AD4-4F](#) [3S103823-01-7F](#) [3VD21203-H7U0-4H](#)
[3VM11201-D730-7H](#) [AH58897-T2B20-3F](#) [AS0A621-H2R6-7H](#) [AS0A621-H2S6-7H](#) [AS0A621-H8RN-7H](#) [AS0A621-H8SN-7H](#) [AS0A621-](#)
[HARN-7H](#) [AS0A621-HASN-7H](#) [AS0A626-HASN-7H](#) [AS0A626-J4R6-7H](#) [AS0A821-H2RB-7H](#) [AS0A821-H2SB-7H](#) [AS0A826-H2RB-7H](#)
[AS0A826-H2SB-7H](#) [AS0B221-S52Q-7H](#) [AS0B221-S68Q-7H](#) [AS0B221-S90Q-7H](#) [AS0B226-S99Q-7H](#) [AS0B821-S55B-7H](#) [AS0B826-S78B-](#)
[7H](#) [AS0BC21-S30BA-7H](#) [AS0BC21-S30BB-7H](#) [AS0BC21-S30BE-7H](#) [AS0BC21-S30BM-7H](#) [AS0BC21-S40BB-7H](#) [AS0BC21-S40BE-7H](#)
[AS0BC21-S48BE-7H](#) [ASAA821-EARB0-7H](#) [ASAA821-H4SB5-7H](#) [ASAA826-E8SB0-7H](#) [ASOB226-S52Q-7H](#)