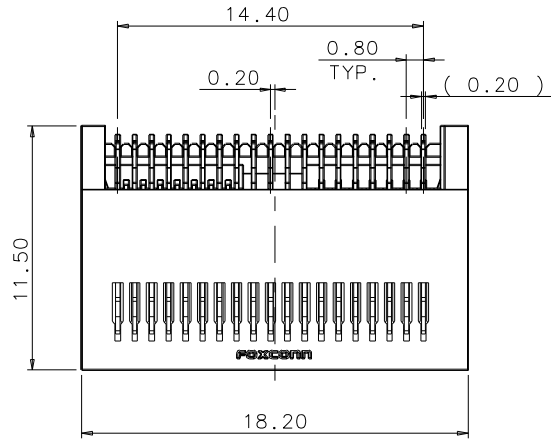


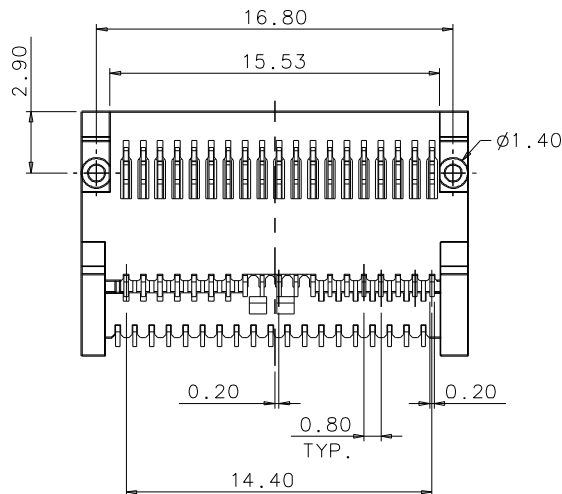
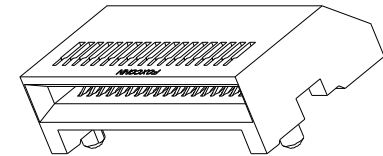
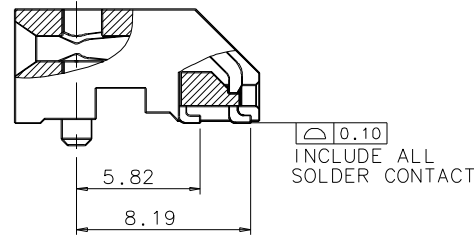
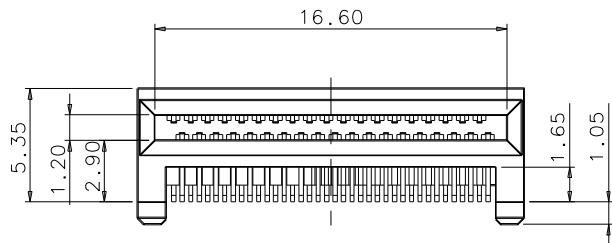
IDEAS GENERATED DRAWING, DON'T CHANGE BY HAND.

REV.	ECN.	NO.	APPD.
A	BC-09-7077053		L.C.Wu
B	BC-10-0079221		L.C.Wu



NOTES, UNLESS OTHERWISE SPECIFIED:

- MATERIAL:
  - HOUSING: THERMOPLASTIC GLASS FILLED.
  - SPACER: THERMOPLASTIC GLASS FILLED.
  - CONTACT: COPPER ALLOY.
- PLATING:
  - CONTACT AREA: GOLD PLATING OVER 100u" MIN. NICKLE.
  - SOLDER AREA: 100u" MIN. TIN OVER 100u" MIN. NICKLE.
- PRODUCT DESIGN CONFORM TO QSFP INDUSTRY SPEC.



PART LIST

3S10382\*-01-7\*

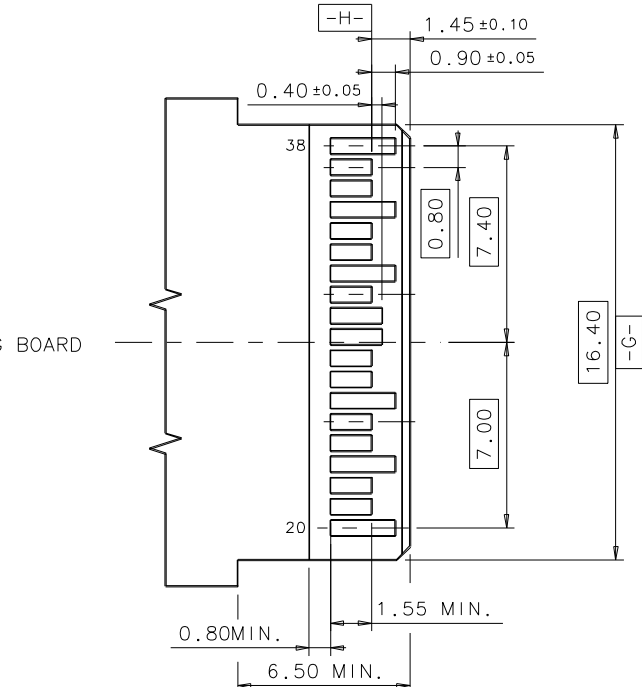
CONTACT AREA PLATING  
 3: 30u" MIN. GOLD  
 7: 15u" MIN. GOLD  
 F: SATIN TIN  
 M: MATIN TIN

x.	$x^{\circ} \pm 5^{\circ}$	UNITS	mm	NAME (INTENDED USE)	<b>FOXCONN</b> HON HAI PRECISION IND. CO., LTD. TAIPEI, TAIWAN, R.O.C.			
.x ± 0.25	$.x^{\circ} \pm 3^{\circ}$	MAT'L		QSFP CONNECTOR				
.XX ± 0.15	$.XX^{\circ} \pm$	SEE NOTES	1	PART NO. (INTENDED USE)	TITLE:			
.XXX	$.XXX^{\circ} \pm$	FINISH		3S103823-01-7F	CUSTOMER DRAWING			
THESE DRAWINGS AND SPECIFICATIONS ARE THE PROPERTY OF HON HAI PRECISION IND. CO., LTD. AND SHALL NOT BE REPRODUCED, COPIED OR USED IN ANY MANNER WITHOUT THE PRIOR WRITTEN CONSENT OF HON HAI PRECISION IND. CO., LTD.				SEE NOTES	2	APPD: L.C.WU 7/23'10	DWG NO.:	
				Q'TY		CHKD: PIER HSU 7/23'10	323-0000-1567	
				DR: OWEN ZHANG 7/23'10		SCALE	SHEET	REV.
						NA	1/2	B

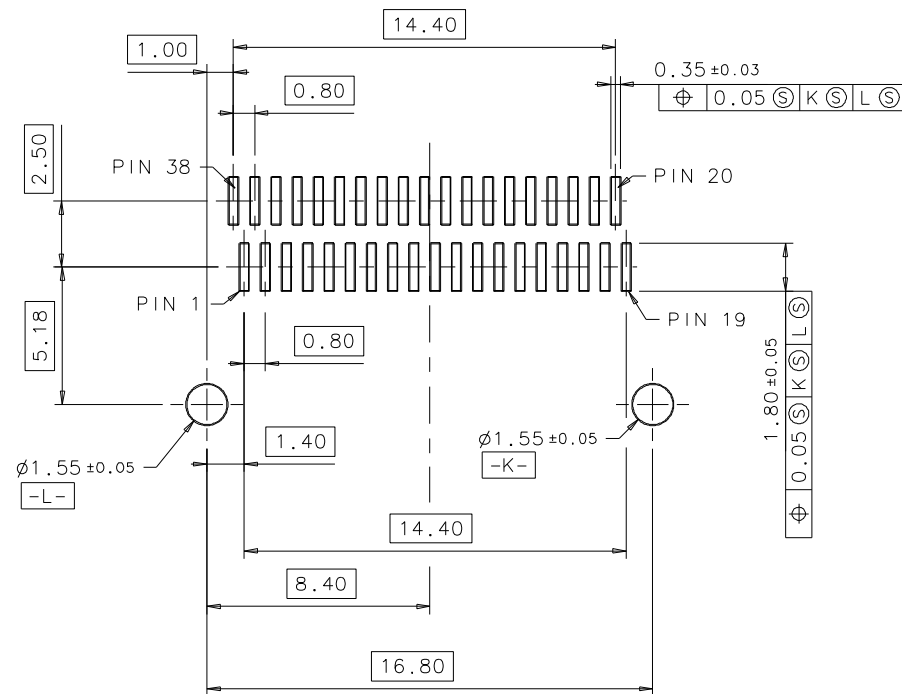
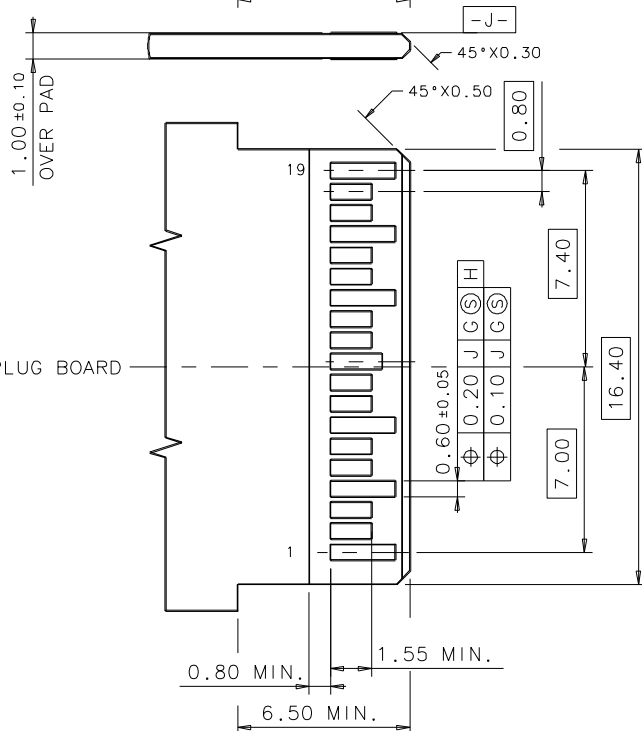
IDEAS GENERATED DRAWING, DON'T CHANGE BY HAND.

REV.	ECN.	NO.	APPD.

TOP VIEW OF PLUG BOARD



BOTTOM VIEW OF PLUG BOARD



RECOMMENDED PCB LAYOUT  
(COMPONENT SIDE)

X.	X° ± 5°	UNITS mm	NAME (INTENDED USE)	<b>FOXCONN</b> HON HAI PRECISION IND. CO., LTD. TAIPEI, TAIWAN, R.O.C.						
.X ± 0.1	.X° ± 3°	MAT'L	QSFP CONNECTOR							
.XX ± 0.05	.XX° ±	SEE NOTES 1	PART NO. (INTENDED USE)	TITLE:						
.XXX	.XXX° ±	FINISH	3S103823-01-7F	CUSTOMER DRAWING						
THESE DRAWINGS AND SPECIFICATIONS ARE THE PROPERTY OF HON HAI PRECISION IND. CO., LTD. AND SHALL NOT BE REPRODUCED, COPIED OR USED IN ANY MANNER WITHOUT THE PRIOR WRITTEN CONSENT OF HON HAI PRECISION IND. CO., LTD.			APPD: L.C.WU 7/23'10	DWG NO.:						
			323-0000-1567							
Q'TY	CHKD: PIER HSU 7/23'10	DR: OWEN ZHANG 7/23'10	<table border="1"> <tr> <td>SCALE</td> <td>SHEET</td> <td>REV.</td> </tr> <tr> <td>NA</td> <td>2/2</td> <td>B</td> </tr> </table>		SCALE	SHEET	REV.	NA	2/2	B
SCALE	SHEET	REV.								
NA	2/2	B								

## X-ON Electronics

Largest Supplier of Electrical and Electronic Components

*Click to view similar products for [Board to Board & Mezzanine Connectors](#) category:*

*Click to view products by [Foxconn](#) manufacturer:*

Other Similar products are found below :

[589158040000018](#) [MDF7C-18P-2.54DSA\(55\)](#) [FCN-268F036-G/BD](#) [FCN-268M012-G/0D](#) [FCN-268M024-G/1D](#) [MIS-048-01-F-D-DP-K](#)  
[832-10-034-10-001000](#) [FX4C-80S-1.27DSA](#) [93696-330](#) [224393](#) [FCN-235D050-G/C](#) [210-93-314-41-105000](#) [MDF7-40DP-2.54DSA\(55\)](#)  
[55323-1519](#) [069159702701000](#) [101A10019X](#) [105061100000861+](#) [75140-7012](#) [87471-650](#) [1744382-4](#) [063209](#) [10124054-515LF](#) [68685-603](#)  
[8-1616154-3](#) [541371078](#) [IL-WX-10PB-HF-B-E1000E](#) [FX23-40P-0.5SV15B](#) [FCN-214J100-G/0](#) [354184](#) [P50-028-DDS-TG](#) [53309-2471](#)  
[54546-2071](#) [1586617-1](#) [504248-1210](#) [504248-2010](#) [1-1437355-2](#) [9159005551906](#) [NDS100-004-BF](#) [93696-730LF](#) [91922-31141LF](#) [505274-](#)  
[3440](#) [501493-2410](#) [504208-3410](#) [505006-0811](#) [505274-2040](#) [202436-1600](#) [202477-0414](#) [71660-7580](#) [73420-5192](#) [360-10-107-00-001000](#)