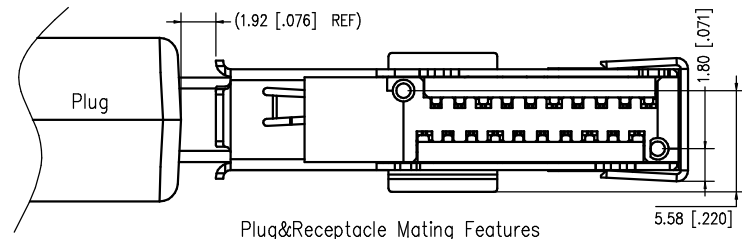
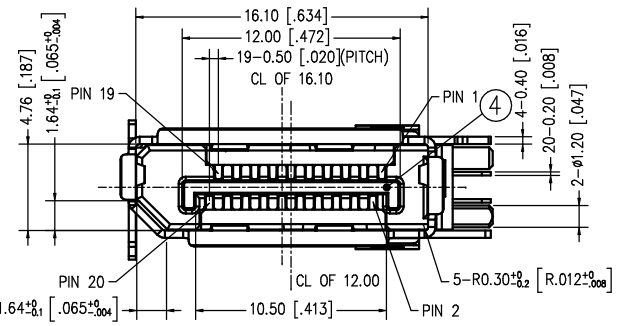
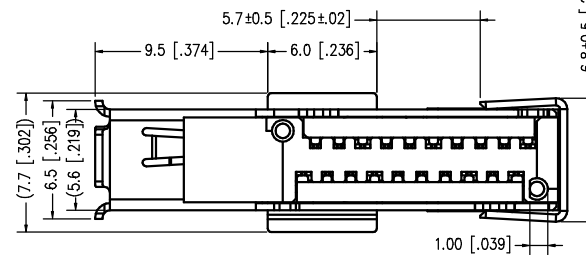
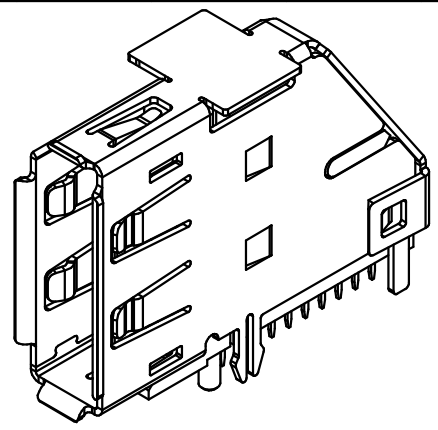
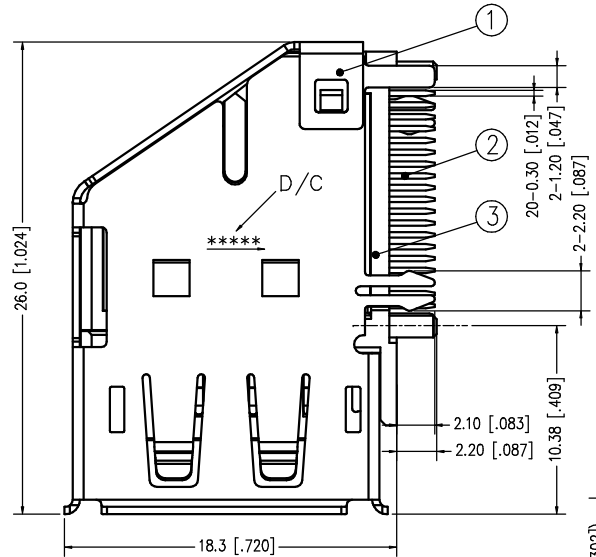


REV.	ECN. NO.	APPD.
A	BC-10-0077123	Corel Zhu
B	BC-11-0016682	Corel Zhu

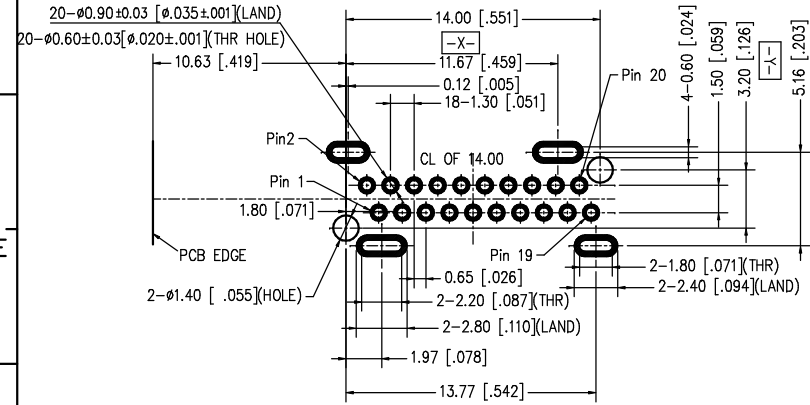
NOTES:

- ELECTRICAL CHARACTERISTICS:
 - CONTACT CURRENT RATING: 0.5A MIN.
APPLIED VOLTAGE RATING: 40V AC
 - CONTACT RESISTANCE:
CONTACT RESISTANCE: 30 MILLIOHMS MAXIMUM.
AFTER TEST: CHANGE FROM INITIAL VALUE 30MILLIOHMS MAX.
 - SHELL RESISTANCE:
AFTER TEST: CHANGE FROM INITIAL VALUE 50MILLIOHMS MAX.
 - DIELECTRIC WITHSTANDING VOLTAGE: 500V AC RMS.
 - INSULATION RESISTANCE:
UNMATED PLUG: 100 MEGAOHMS MIN. AT 500V DC.
MATED PLUG: 10 MEGAOHMS MIN. AT 150V DC.
- MECHANICAL CHARACTERISTICS:
 - CONNECTOR MATING FORCE: 4.5Kgf MAX.
 - CONNECTOR UNMATING FORCE: 1.0~4.0 Kgf.
 - DURABILITY: 10000 CYCLES.
 - OPERATING TEMPERATURE RANGE: -40~85°C;
HUMIDITY: 85% RH MAX.
- RECOMMENDED PROCESS:
WAVE SOLDER, PEAK TEMPERATURE 260°C, 10SEC MAX.
- RoHS COMPLIANT AND HALOGEN-FREE.



PRODUCT NO.: 3V * * * * * - * * * * * - * *

DISPLAY PORT SERIES		HALOGEN-FREE CODE
PRODUCT SERIES:		PACKAGE CODE:
D: STANDARD TYPE		4: SOFT TRAY
TERMINATION TYPE:		EXTENSION CODE
2: UPRIGHT T/H		CONTACT GOLD PLATING:
CONNECTOR TYPE:		3: 30u" GOLD
1: RECEPTACLE		
NO. OF CONTACT POS.:		
20: 20 POS		



RECOMMENDED P.C.B. LAYOUT (COMPONENT SIDE VIEW)
TOL IS ±0.05 THK=1.60 ALL POSITION TOL ⌀ 0.06 X | Y

PIN NUMBER	SOURCE-SIDE PIN ASSIGNMENT	SINK-SIDE PIN ASSIGNMENT
1	ML_Lane 0(p)	ML_Lane 3(n)
2	GND	GND
3	ML_Lane 0(n)	ML_Lane 3(p)
4	ML_Lane 1(p)	ML_Lane 2(n)
5	GND	GND
6	ML_Lane 1(n)	ML_Lane 2(p)
7	ML_Lane 2(p)	ML_Lane 1(n)
8	GND	GND
9	ML_Lane 2(n)	ML_Lane 1(p)
10	ML_Lane 3(p)	ML_Lane 0(n)
11	GND	GND
12	ML_Lane 3(n)	ML_Lane 0(p)
13	CONFIG1	CONFIG1
14	CONFIG2	CONFIG2
15	AUX CH (p)	AUX CH (p)
16	GND	GND
17	AUX CH (n)	AUX CH (n)
18	HOT PLUG DETECT	HOT PLUG DETECT
19	RETURN	RETURN
20	DP PWR	DP PWR

ITEM	DESCRIPTION	Q'TY	MATERIAL	REMARK
④	TONGUE	1	HI-TEMPERATURE THERMOPLASTIC UL94V-0	COLOR: BLACK
③	HOUSING	1	HI-TEMPERATURE THERMOPLASTIC UL94V-0	COLOR: BLACK
②	CONTACT	20	COPPER ALLOY	Ni 50u" MIN UNDERPLATING, Au 30u" MIN AT CONTACT AREA, Sn 100u" MIN AT SOLDER AREA
①	SHELL	1	COPPER ALLOY	Ni PLATING OVERALL, Sn 50u" MIN AT SOLDER AREA

X. ±	X' ±	UNITS	mm	NAME(INTENDED USE)	FOXCONN HON HAI PRECISION IND. CO.,LTD. TAIPEI, TAIWAN, R.O.C.
			MAT'L	CUSTOMER	
.XX ±	.XX' ±	FINISH	N/A	PART NO.(INTENDED USE)	TITLE:
			N/A	3VD21203-H7U0-4H	DISPLAYPORT CONNECTOR
.XXX ±	.XXX' ±	Q'TY	N/A	APPD:	DWG NO.:
			N/A	Corel Zhu 02/18'11	301-0000-2318
				CHKD: Sean Han 02/18'11	SCALE SHEET REV.
				DR: J.W Zhang 02/18'11	

THESE DRAWINGS AND SPECIFICATIONS ARE THE PROPERTY OF HON HAI PRECISION IND. CO., LTD. AND SHALL NOT BE REPRODUCED, COPIED OR USED IN ANY MANNER WITHOUT THE PRIOR WRITTEN CONSENT OF HON HAI PRECISION IND. CO., LTD.

X-ON Electronics

Largest Supplier of Electrical and Electronic Components

Click to view similar products for [USB Connectors](#) category:

Click to view products by [Foxconn](#) manufacturer:

Other Similar products are found below :

[950](#) [MUSBD11135](#) [17-200721](#) [217450-1](#) [KMBVX-TH-5S-B30](#) [KUSBX-AS2N-W](#) [KUSBX-SMT2AP1S-W30](#) [935](#) [957](#) [30-498-6](#) [SK-60A-2](#)
[1734082-1](#) [30-470](#) [30-489](#) [30-541](#) [MIKROE-1451](#) [USBFTVSCCG](#) [1-1734084-2](#) [10135326-001LF](#) [4198](#) [USB-A-D-VT](#) [USB-A-S-RA-](#)
[TSMT](#) [1310-1023-02](#) [690-024-633-031](#) [UB-20PMFP-LC7001](#) [17-200011](#) [UB-20AFMM-LL7A01](#) [1040870124](#) [CAP-WCCMLPB1](#) [CAP-](#)
[WCCMLPC1](#) [2274475-3](#) [UB-20BMFA-SL8001](#) [914-614A2025S10200](#) [ZX40-B-5S-1500-STDA\(30\)](#) [GSB3116344HR](#)
[USB3FTV2SAZNF459](#) [U221-041N-1WVS62-F5D](#) [HYCW153-USBD05-500B](#) [HYCW219-USBD05-075B](#) [HYCW148-USBD05-117B](#)
[HYCW149-USBD05-740B](#) [HYCW204-USBD05-108B](#) [HYCW214-USBA04-113B](#) [HYCW213-USBA04-113B](#) [UB-20AMFM-SL7A01](#)
[KMMX-BSMT35S-1-B30TR](#) [2345986-1](#) [10082141-N340LF](#) [10117836-011LF](#) [GT-2A001F-CGNG1](#)