

REV.	ECN. NO.	APPD.
A	BC-14-0065178	Adward Zheng
B	BC-16-0017921	LIANG GONG
BX1	1/17'18	Davy Bu
BX2	1/19'18	Davy Bu

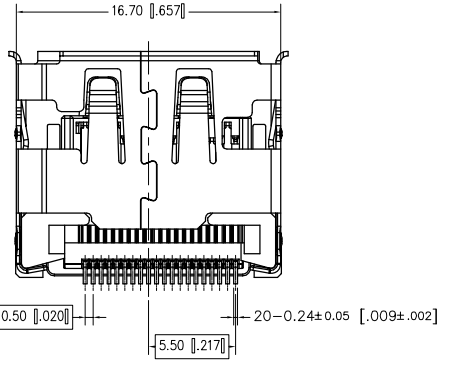
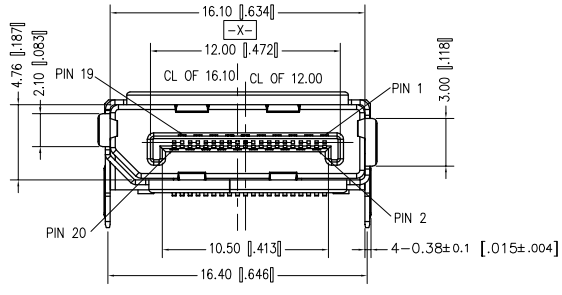
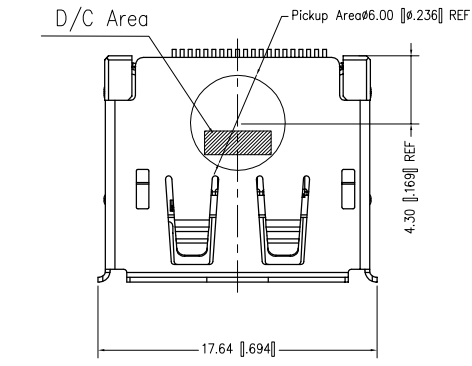
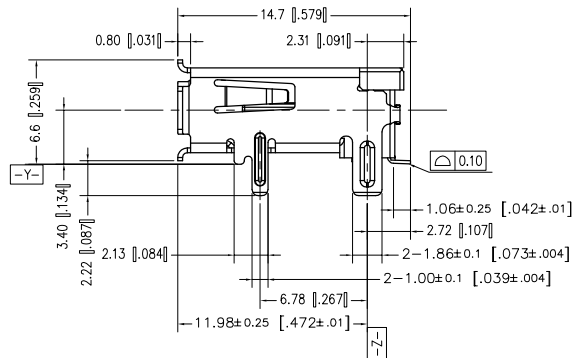
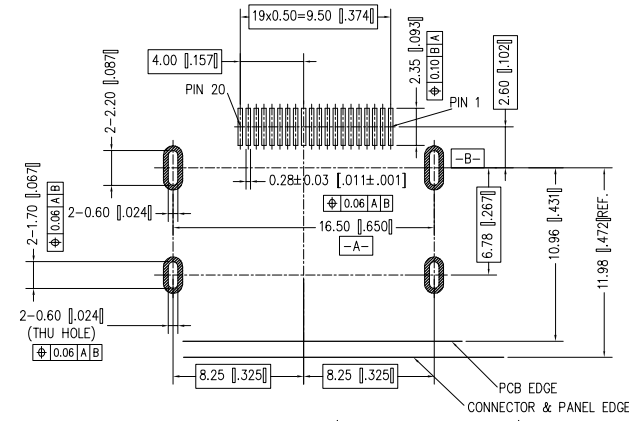
PRODUCT NO.: 3V \* \* \* \* \*

DISPLAY PORT SERIES  
 PRODUCT SERIES:  
 D: STANDARD TYPE  
 TERMINATION TYPE:  
 5: R/A SMT  
 CONNECTOR TYPE:  
 1: RECEPTACLE  
 NO. OF CONTACT POS.:  
 20: 20 POS

HALOGEN-FREE CODE  
 PACKAGE CODE:  
 4: SOFT TRAY  
 7: TAPE REEL  
 EXTENSION CODE  
 CONTACT GOLD PLATING:  
 1: 1u" GOLD  
 3: 30u" GOLD  
 7: 15u" GOLD


NOTES:

- ELECTRICAL CHARACTERISTICS:
  - CONTACT CURRENT RATING: 0.5A MIN.  
FINGER CURRENT RATING: 1.0A MIN.  
APPLIED VOLTAGE RATING: 40V AC
  - CONTACT RESISTANCE:  
CONTACT RESISTANCE: 30 MILLIOHMS MAXIMUM.  
AFTER TEST: CHANGE FROM INITIAL VALUE 30MILLIOHMS MAX.
  - SHELL RESISTANCE:  
AFTER TEST: CHANGE FROM INITIAL VALUE 50MILLIOHMS MAX.
  - DIELECTRIC WITHSTANDING VOLTAGE: 500V AC RMS.
  - INSULATION RESISTANCE:  
UNMATED PLUG: 100 MEGAOHMS MIN. AT 500V DC.  
MATED PLUG: 10 MEGAOHMS MIN. AT 150V DC.
- MECHANICAL CHARACTERISTICS:
  - CONNECTOR MATING FORCE: 4.5Kgf MAX.
  - CONNECTOR UNMATING FORCE: 1.0~4.0 Kgf.
  - DURABILITY: 10000 CYCLES.
  - OPERATING TEMPERATURE RANGE: -40~85°C;  
HUMIDITY: 85% RH MAX.
- RECOMMENDED PROCESS:
  - IR REFLOW, PEAK TEMPERATURE 250°C, 10SEC MAX.
  - COPLANARITY OF SMT TERMINAL IS 0.10mm MAX.
- RoHS AND HALOGEN-FREE COMPLIANT.



PIN NUMBER	SOURCE-SIDE PIN ASSIGNMENT	SINK-SIDE PIN ASSIGNMENT
1	ML_Lane 0(p)	ML_Lane 3(n)
2	GND	GND
3	ML_Lane 0(n)	ML_Lane 3(p)
4	ML_Lane 1(p)	ML_Lane 2(n)
5	GND	GND
6	ML_Lane 1(n)	ML_Lane 2(p)
7	ML_Lane 2(p)	ML_Lane 1(n)
8	GND	GND
9	ML_Lane 2(n)	ML_Lane 1(p)
10	ML_Lane 3(p)	ML_Lane 0(n)
11	GND	GND
12	ML_Lane 3(n)	ML_Lane 0(p)
13	CONFIG1	CONFIG1
14	CONFIG2	CONFIG2
15	AUX CH (p)	AUX CH (p)
16	GND	GND
17	AUX CH (n)	AUX CH (n)
18	HOT PLUG DETECT	HOT PLUG DETECT
19	RETURN	RETURN
20	DP PWR	DP PWR

ITEM	DESCRIPTION	Q'TY	MATERIAL	REMARK
③	CONTACT	20	COPPER ALLOY	NIKEL UNDERPLATING OVERALL, 30u" MIN. AU PLATING AT CONTACT AREA, TIN ALLOY(LEAD FREE) PLATING AT SOLDER AREA.
②	HOUSING	1	HIGH TEMPERATURE THERMOPLASTIC UL94V-0	COLOR: BLACK
①	SHELL	1	STAINLESS STEEL	NIKEL UNDERPLATING OVERALL, TIN ALLOY(LEAD FREE) PLATING AT SOLDER AREA.

UNITS	NAME(INTENDED USE)	 FOXCONN INTERCONNECT TECHNOLOGY LIMITED.
mm [INCH]	CUSTOMER	
MAT'L	PART NO.(INTENDED USE)	CLASS: <input type="checkbox"/> CONFIDENTIAL <input type="checkbox"/> SECRET <input checked="" type="checkbox"/> GENERAL
FINISH	3VD5120*-3D6A-7H	TITLE: DISPLAYPORT CONNECTOR SMT TYPE
Q'TY	APPD: Davy Bu 1/19'18	DWG NO.: 301-0000-3122
	CHKD: Z.J.Chen 1/19'18	SCALE SHEET REV.
	DRAW: Noah Ji 1/19'18	N/A 1/1 BX2

THESE DRAWINGS AND SPECIFICATIONS ARE THE PROPERTY OF FOXCONN INTERCONNECT TECHNOLOGY LIMITED AND SHALL NOT BE REPRODUCED, COPIED OR USED IN ANY MANNER WITHOUT THE PRIOR WRITTEN CONSENT OF FOXCONN INTERCONNECT TECHNOLOGY LIMITED.

## X-ON Electronics

Largest Supplier of Electrical and Electronic Components

*Click to view similar products for [HDMI, Displayport & DVI Connectors](#) category:*

*Click to view products by [Foxconn](#) manufacturer:*

Other Similar products are found below :

[30-1231](#) [30-528](#) [30-504](#) [30-519](#) [33DVIR-24S1B](#) [47648-2000](#) [2002-400](#) [TC142X](#) [769-103/021-000](#) [1932649-1](#) [CP30200GM3](#) [67881](#)  
[HBLBH](#) [HBLBI](#) [HAFBG](#) [HAFBH](#) [HAGBF](#) [HAGBG](#) [HAGBJ](#) [HBLBJ](#) [AABIE](#) [AABIF](#) [AABIG](#) [AABIH](#) [AABIJ](#) [AABIK](#) [AACBE](#)  
[AACBF](#) [AACBG](#) [ABIBF](#) [ABIBG](#) [ABIBH](#) [AACBH](#) [AACBI](#) [AACBJ](#) [AACBK](#) [AACBL](#) [AAIBD](#) [AAIBF](#) [AAIBI](#) [AANBJ](#) [AAQBH](#)  
[AAQBI](#) [AARBG](#) [AARBH](#) [AARBI](#) [AAXBD](#) [ABAAF](#) [ABBBF](#) [AIDB0](#)