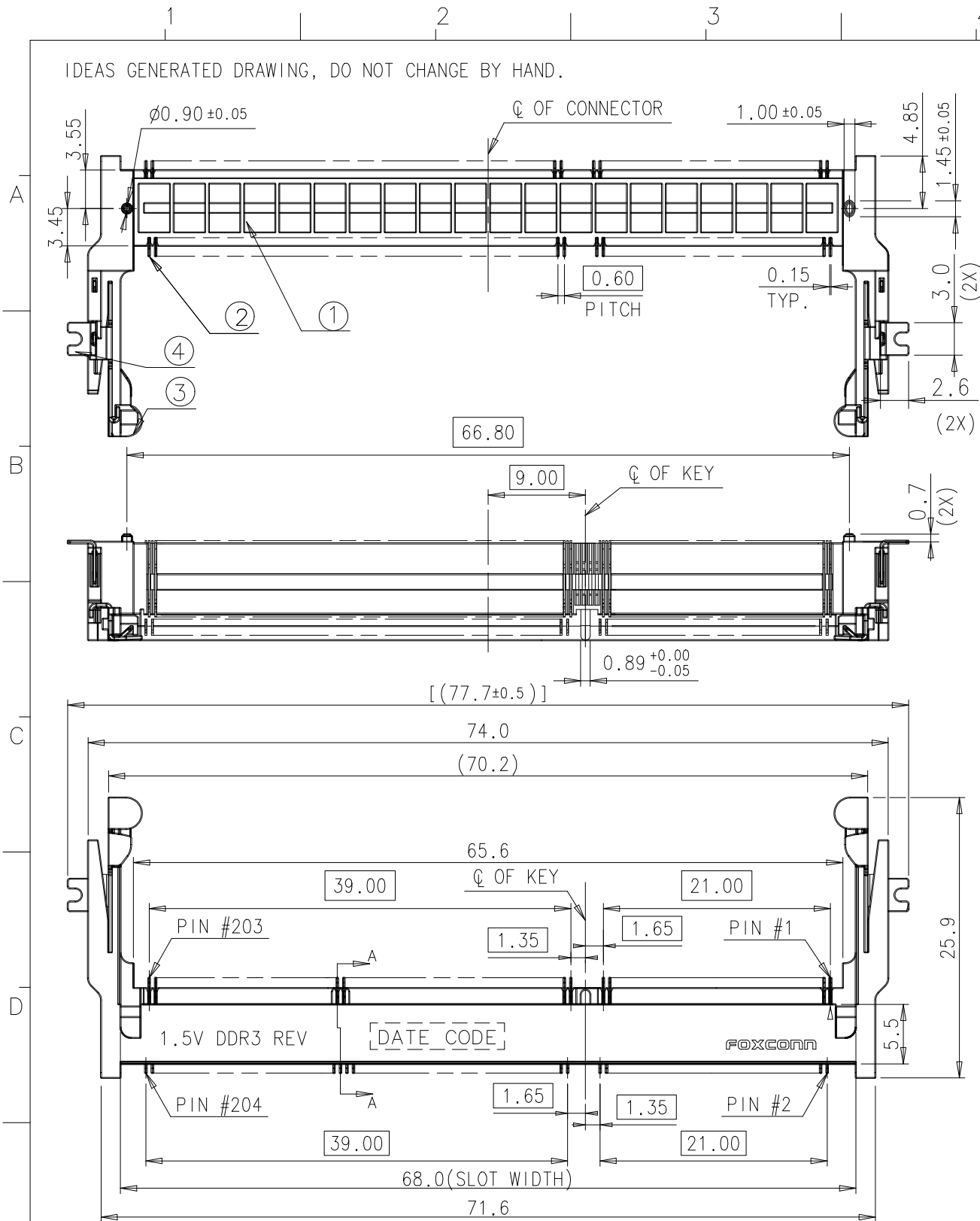


IDEAS GENERATED DRAWING, DO NOT CHANGE BY HAND.



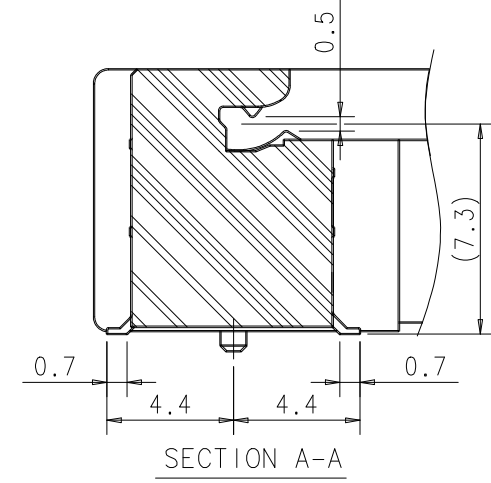
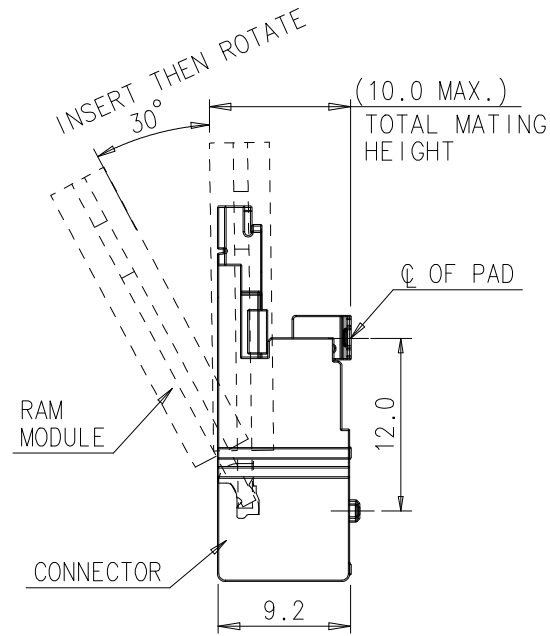
NOTES:

- ELECTRICAL CHARACTERISTICS:
  - CONTACT CURRENT RATING: 0.5 AMPERE MAX. PER PIN.  
(PER PIN) DOESN'T EXCEED 30°C ABOVE AMBIENT AT 0.5 AMPERE MAX. PER PIN.
  - VOLTAGE RATING: 25V AC.
  - CONTACT RESISTANCE : 50 MILLIOHMS MAX. PER PIN INITIAL.  
60 MILLIOHMS MAX. PER PIN AFTER FULL ENVIRONMENTAL TESTING.
- MECHANICAL CHARACTERISTICS: DURABILITY: 25 MATING CYCLES.
- OPERATION TEMPERATURE: -55°C TO +85°C.
- PLEASE CONTACT FOXCONN SALES REPRESENTATIVE TO VERIFY PRODUCT DETAIL & AVAILABILITY.

PART NO. DESCRIPTION: A S O A6 2 \* - H A R N - \* H  
 MEMORY MODULE SOCKET

MEMORY MODULE SOCKET  
 HORIZONTAL TYPE  
 SINGLE ROW  
 NO. OF POS.  
 A6 = 204 POS.  
 SMT  
 CONTACT AREA PLATING  
 6=10u\* GOLD PLATING  
 1=GOLD FLASH

H=HALOGEN/LEAD FREE  
 4=SOFT TRAY  
 7=TAPE REEL  
 N=EXTENSION CODE  
 R=REVERSE  
 A=9.2mm HEIGHT  
 DDR CONNECTOR

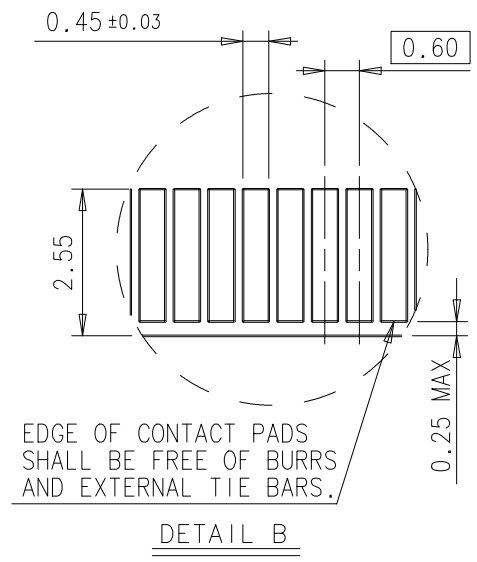
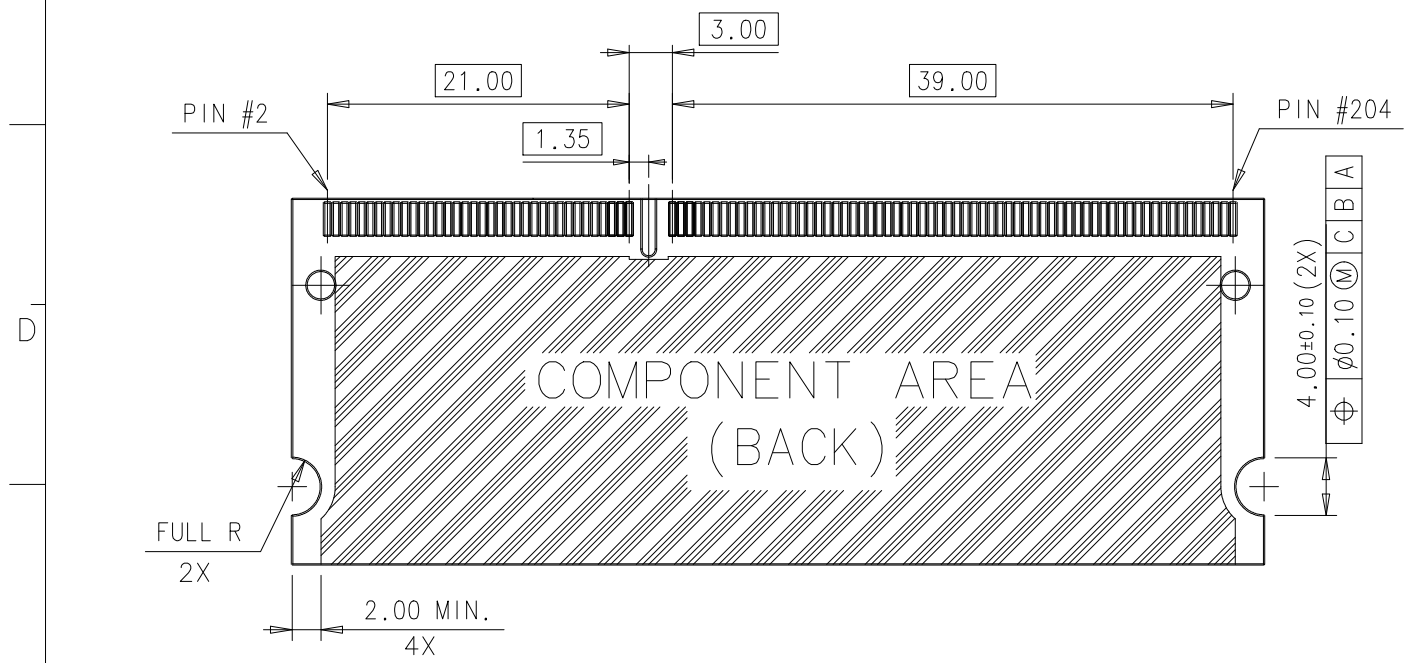
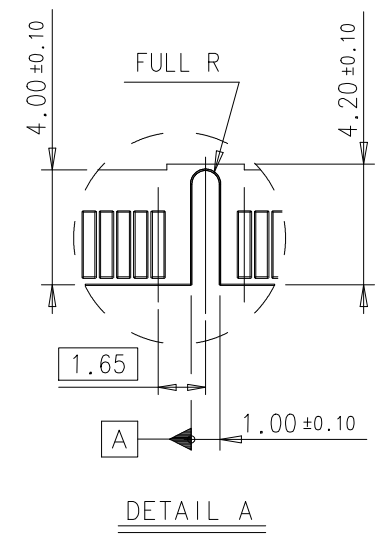
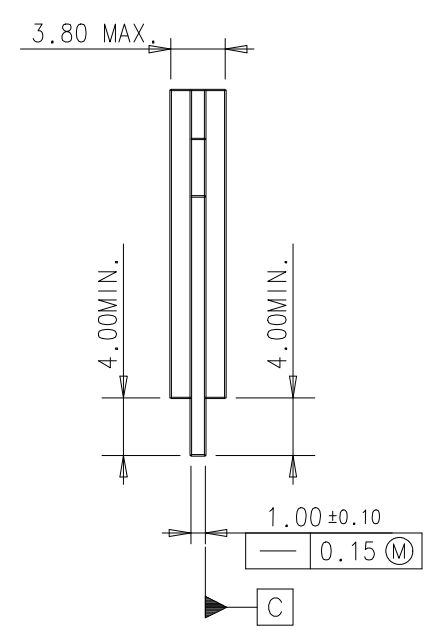
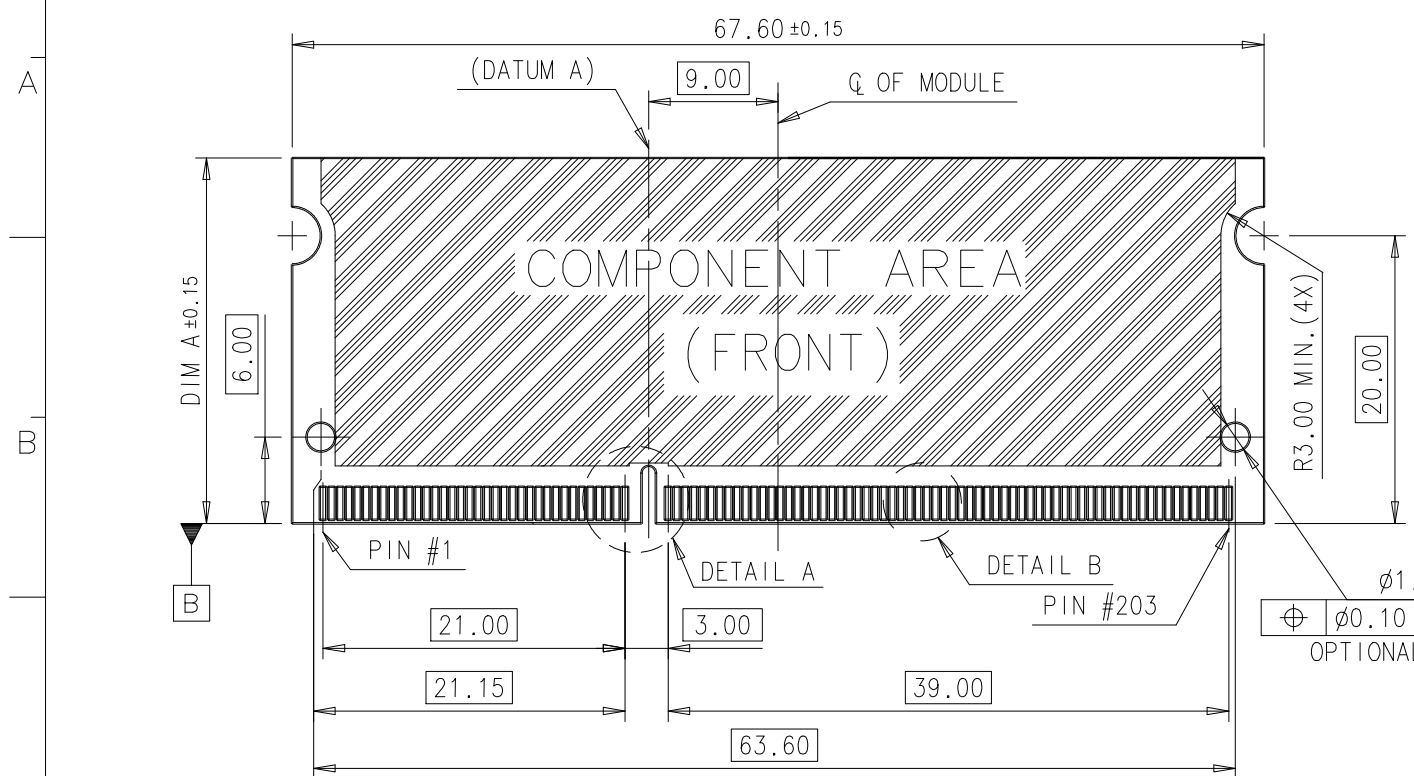


X. ± 0.30	X° ±	UNITS mm	NAME (INTENDED USE)	<b>FOXCONN</b> HON HAI PRECISION IND. CO., LTD. TAIPEI, TAIWAN, R.O.C.
.X ± 0.25	.X° ±	MAT'L	DDR III SO DIMM CONNECTOR	
.XX ± 0.15	.XX° ±	FINISH	PART NO. (INTENDED USE) ASOA62*-HARN-*H	
.XXX ±	.XXX° ±	Q'TY	APPD: Herry Yang	
THESE DRAWINGS AND SPECIFICATIONS ARE THE PROPERTY OF HON HAI PRECISION IND. CO., LTD. AND SHALL NOT BE REPRODUCED, COPIED OR USED IN ANY MANNER WITHOUT THE PRIOR WRITTEN CONSENT OF HON HAI PRECISION IND. CO., LTD.			CHKD: ZH Wang	
			DR: Wang Justin 7/13'10	TITLE: CUSTOMER DRAWING DWG NO.: 317-0000-1907
				SCALE SHEET REV. N/A 1/5 B

ITEM	DESCRIPTION	Q'TY	MATERIAL	TREATMENT
④	METAL PAD	2	COPPER ALLOY	50u* NICKLE UNDER PLATING OVER ALL 2u* Pd PLATING OVER SOLDER AREA
③	METAL SPRING	2	COPPER ALLOY	50u* NICKLE PLATING OVER ALL
②	CONTACT	204	COPPER ALLOY	50u* NICKEL UNDER PLATING GOLD FLASH AT TAIL 10u* GOLD PLATING OR GOLD FLASH AT CONTACT AREA
①	HOUSING	1	THERMOPLASTIC	UL94V-0, HALOGEN-FREE, IVORY COLOR

IDEAS GENERATED DRAWING, DO NOT CHANGE BY HAND.

REV.	ECN. NO.	APPD.



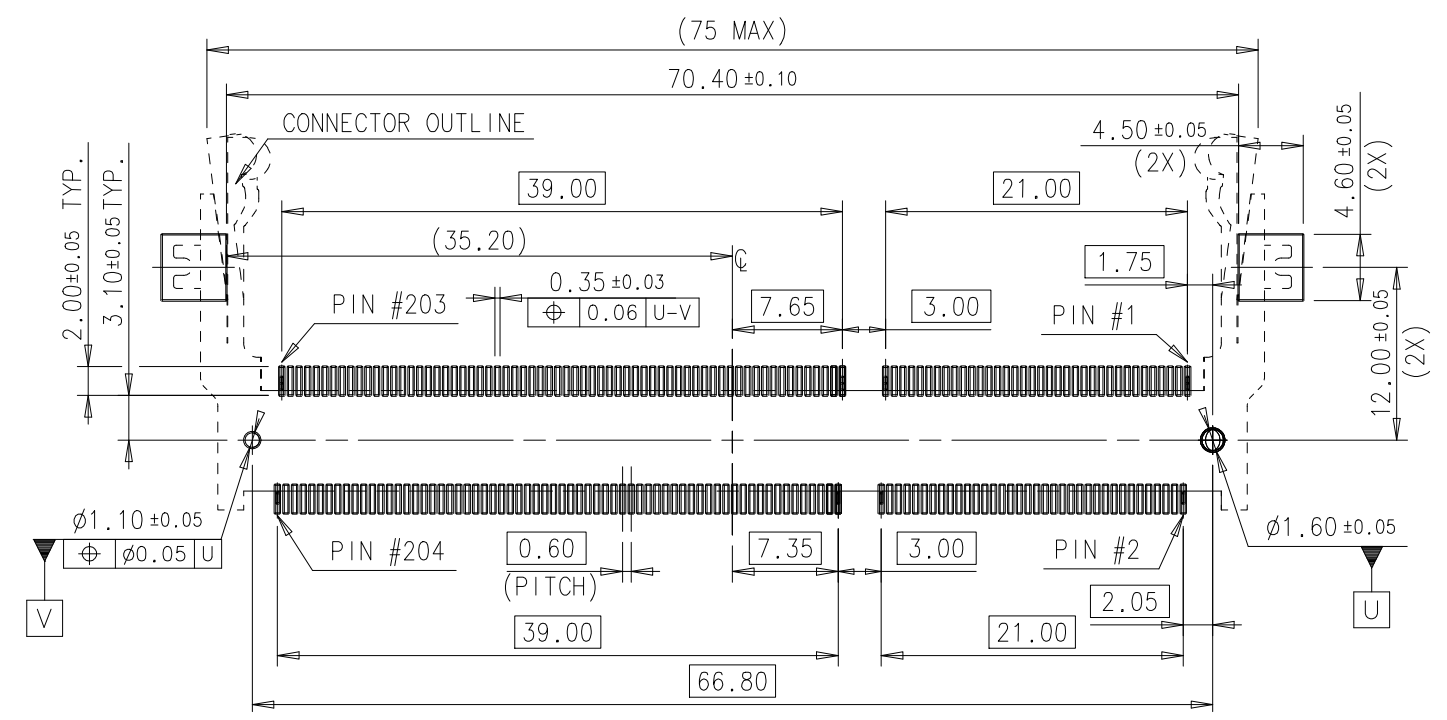
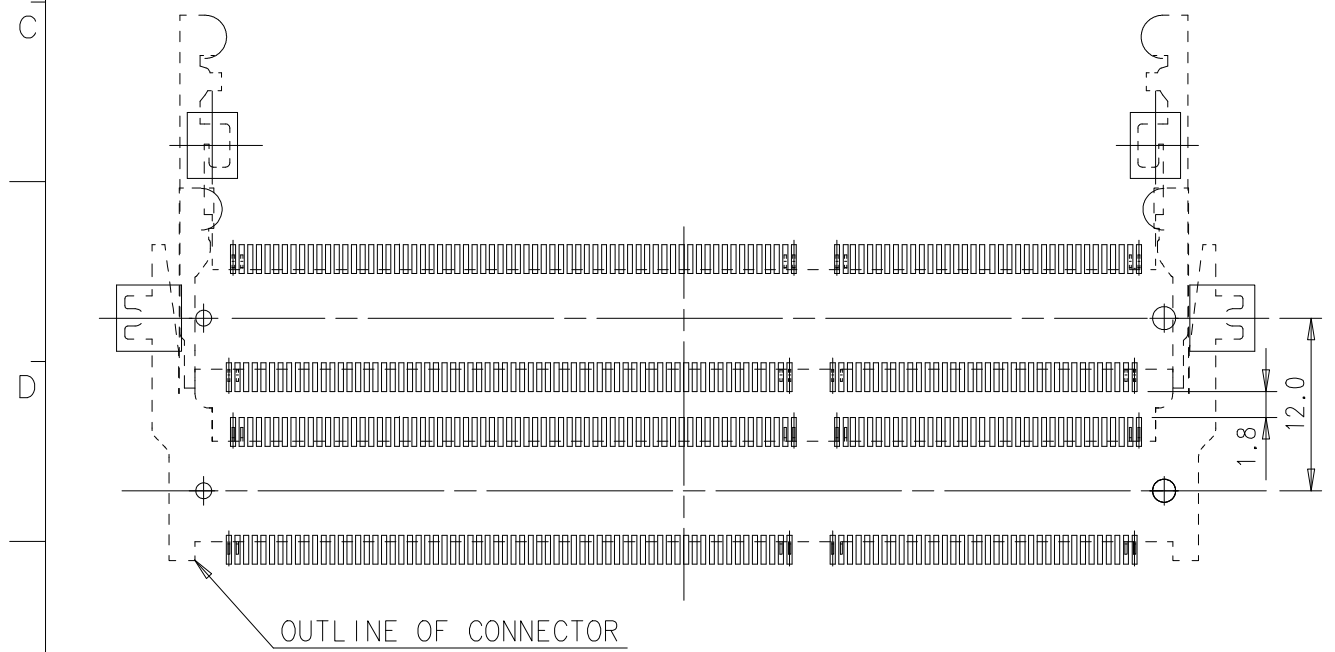
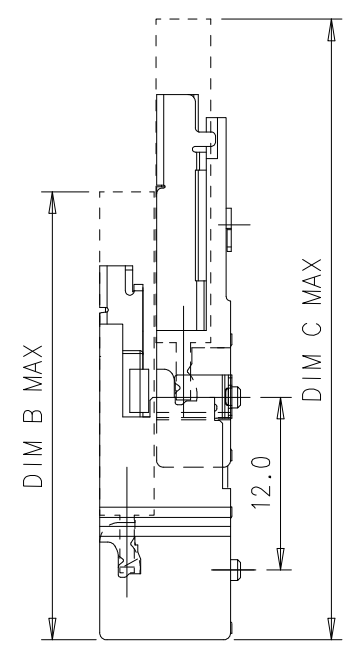
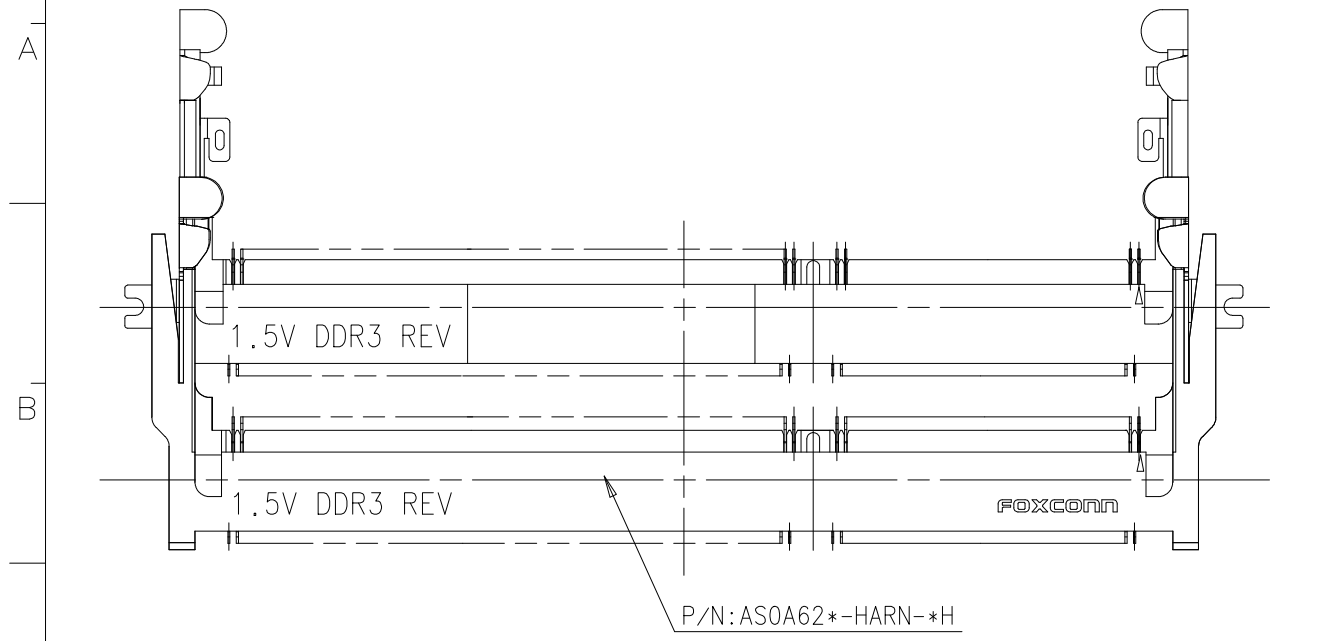
DDR III SO-DIMM MODULE BOARD LAYOUT

SDRAM VARIATIONS	DIM A
TYPE 1	25.40
TYPE 2	31.75
TYPE 3	30.00

X. ± 0.25	X° ±	UNITS mm	NAME (INTENDED USE)	<b>FOXCONN</b> HON HAI PRECISION IND. CO., LTD. TAIPEI, TAIWAN, R.O.C.
.X ± 0.10	.X° ±	MAT'L	DDR III SO DIMM CONNECTOR	
.XX ± 0.05	.XX° ±	FINISH	PART NO. (INTENDED USE)	TITLE:
.XXX ±	.XXX° ±		ASOA62*-HARN-*H	CUSTOMER DRAWING
THESE DRAWINGS AND SPECIFICATIONS ARE THE PROPERTY OF HON HAI PRECISION IND. CO., LTD. AND SHALL NOT BE REPRODUCED, COPIED OR USED IN ANY MANNER WITHOUT THE PRIOR WRITTEN CONSENT OF HON HAI PRECISION IND. CO., LTD.			APPD: Herry Yang	DWG NO.:
			CHKD: ZH Wang	317-0000-1907
			DR: Wang Justin 7/13'10	
				SCALE SHEET REV.
				N/A 2/5 B

IDEAS GENERATED DRAWING, DO NOT CHANGE BY HAND.

REV.	ECN. NO.	APPD.



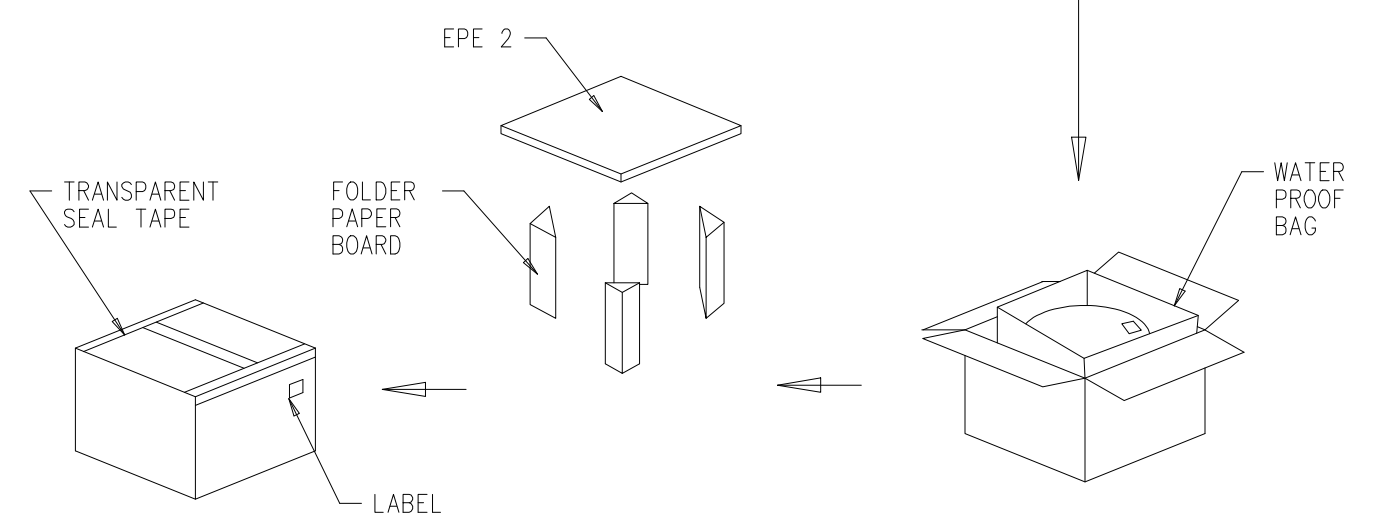
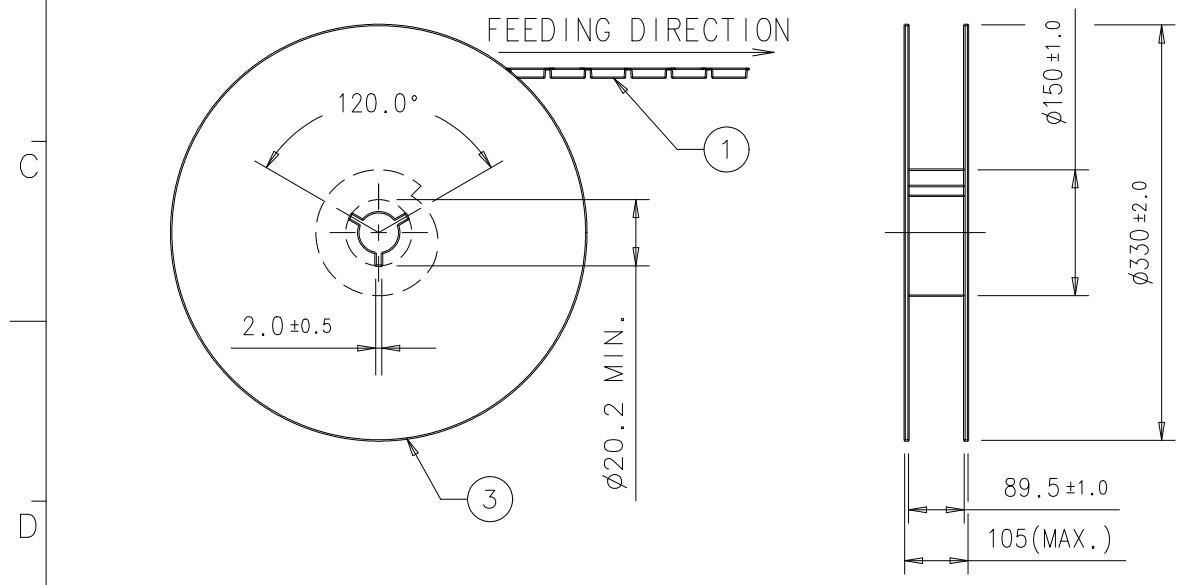
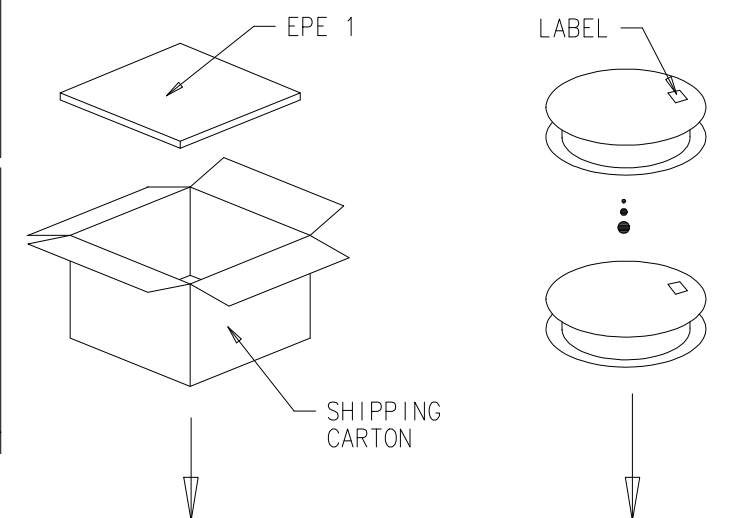
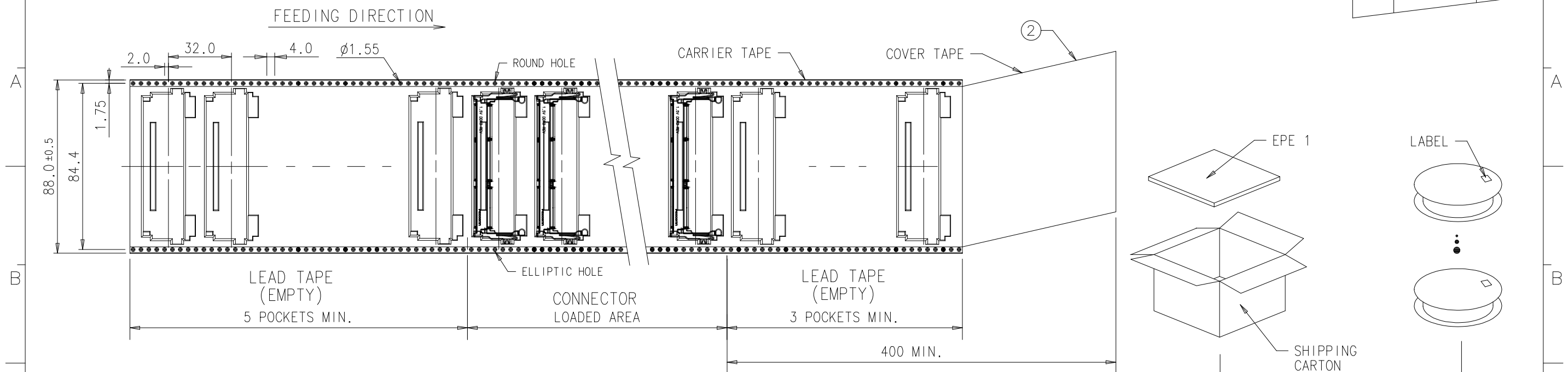
P.C.B. LAYOUT

SDRAM VARIATIONS	DIM B	DIM C
TYPE 1	30.4	42.4
TYPE 2	36.7	48.7
TYPE 3	35.0	47.0

X. ± 0.25	X° ±	UNITS mm	NAME (INTENDED USE)	<b>FOXCONN</b> HON HAI PRECISION IND. CO., LTD. TAIPEI, TAIWAN, R.O.C.	
.X ± 0.10	.X° ±		DDRIII SO DIMM CONNECTOR		
.XX ± 0.05	.XX° ±	FINISH	PART NO. (INTENDED USE)	TITLE:	
.XXX ±	.XXX° ±		AS0A62*-HARN-*H	CUSTOMER DRAWING	
THESE DRAWINGS AND SPECIFICATIONS ARE THE PROPERTY OF HON HAI PRECISION IND. CO., LTD. AND SHALL NOT BE REPRODUCED, COPIED OR USED IN ANY MANNER WITHOUT THE PRIOR WRITTEN CONSENT OF HON HAI PRECISION IND. CO., LTD.			APPD: Herry Yang	DWG NO.:	
			CHKD: ZH Wang	317-0000-1907	
			DR: Wang Justin 7/13'10		
			SCALE	SHEET	REV.
			N/A	3/5	B

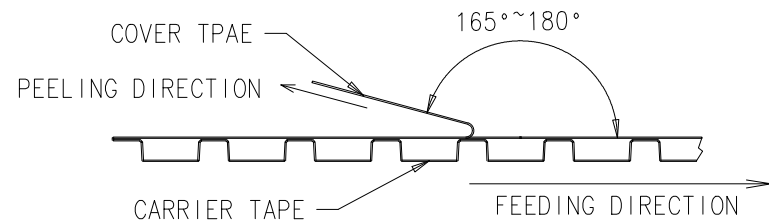
IDEAS GENERATED DRAWING, DO NOT CHANGE BY HAND.

REV.	ECN.	NO.	APPD.



NOTES:

- 10 POCKETS HOLE PITCH CUMULATIVE TOLERANCE  $\pm 0.20\text{mm}$ .
- COVER TAPE PEELING STRENGTH : 0.01Kgf MIN., 0.15 Kgf MAX. AT 300mm/min.



- PACKING CAPACITY : 110 PCS/REEL, 3 REELS/BOX, TOTAL 330 PCS/BOX.

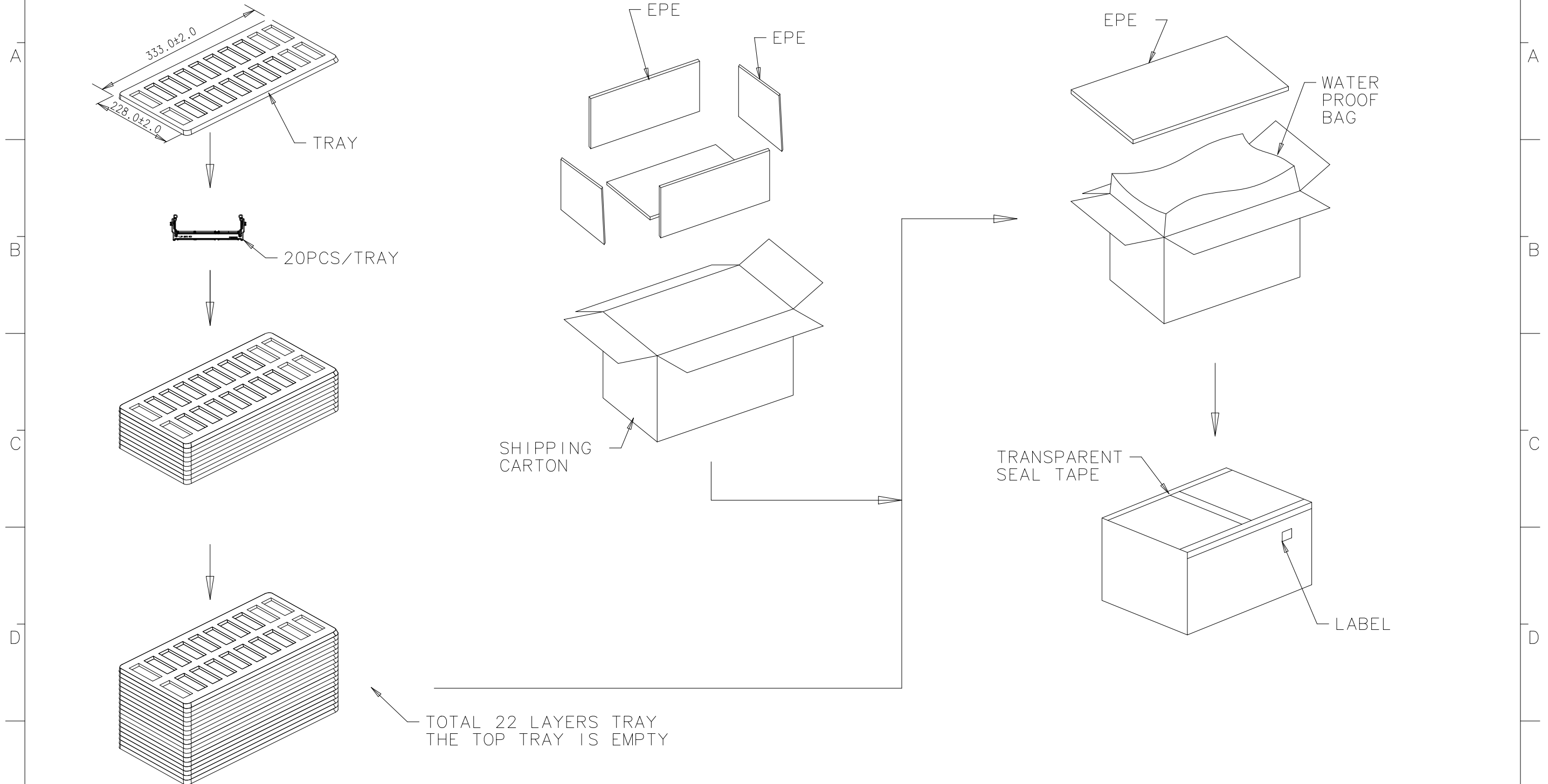
③	REEL	POLYSTYRENE
②	COVER TAPE	POLYSTER
①	CARRIER TAPE	POLYSTYRENE
ITEM	DESCRIPTION	MATERIAL

X. $\pm 1.5$	X° $\pm$	UNITS	mm	NAME (INTENDED USE) DDR III SO DIMM CONNECTOR	<b>FOXCONN</b> HON HAI PRECISION IND. CO., LTD. TAIPEI, TAIWAN, R.O.C.		
.X $\pm 1.0$	.X° $\pm$	MAT'L					
.XX $\pm 0.2$	.XX° $\pm$	FINISH		PART NO. (INTENDED USE) ASOA62*-HARN-*H	TITLE: CUSTOMER DRAWING		
.XXX $\pm$	.XXX° $\pm$				APPD: Herry Yang	DWG NO.: 317-0000-1907	
THESE DRAWINGS AND SPECIFICATIONS ARE THE PROPERTY OF HON HAI PRECISION IND. CO., LTD. AND SHALL NOT BE REPRODUCED, COPIED OR USED IN ANY MANNER WITHOUT THE PRIOR WRITTEN CONSENT OF HON HAI PRECISION IND. CO., LTD.				Q'TY	DR: Wang Justin 7/13'10		
						SCALE	SHEET
CONNECTOR P/N		ASOA62*-HARN-7H			N/A	4/5	B

CONNECTOR P/N ASOA62\*-HARN-7H

IDEAS GENERATED DRAWING, DO NOT CHANGE BY HAND.

REV.	ECN.	NO.	APPD.



TOTAL 22 LAYERS TRAY  
THE TOP TRAY IS EMPTY

NOTES:  
1. PACKING CAPACITY : 20 PCS/TRAY, 21 TRAYS/BOX,  
TOTAL 420 PCS/BOX.

X. ± 1.5	X° ±	UNITS	mm	NAME (INTENDED USE)	<b>FOXCONN</b> HON HAI PRECISION IND. CO., LTD. TAIPEI, TAIWAN, R.O.C.	
.X ± 1.0	.X° ±	MAT'L		DDR III SO DIMM CONNECTOR		
.XX ± 0.2	.XX° ±	FINISH		PART NO. (INTENDED USE)	TITLE:	
.XXX ±	.XXX° ±	Q'TY		AS0A62*-HARN-*H	CUSTOMER DRAWING	
THESE DRAWINGS AND SPECIFICATIONS ARE THE PROPERTY OF HON HAI PRECISION IND. CO., LTD. AND SHALL NOT BE REPRODUCED, COPIED OR USED IN ANY MANNER WITHOUT THE PRIOR WRITTEN CONSENT OF HON HAI PRECISION IND. CO., LTD.				APPD: Herry Yang	DWG NO.:	
				CHKD: ZH Wang	317-0000-1907	
				DR: Wang Justin 7/13'10		
				SCALE	SHEET	REV.
				N/A	5/5	B

CONNECTOR P/N	AS0A62*-HARN-4H
---------------	-----------------

## X-ON Electronics

Largest Supplier of Electrical and Electronic Components

*Click to view similar products for [Standard Card Edge Connectors](#) category:*

*Click to view products by [Foxconn](#) manufacturer:*

Other Similar products are found below :

[CR7E-30DB-3.96E\(72\)](#) [6565204-6](#) [1437274-4](#) [1-582587-1](#) [284-0102-12100](#) [286-0052-12101A](#) [306022901000000](#) [307-012-502-202](#) [307-056-520-300](#) [A6D22DS29C2](#) [1926088-2](#) [287-0032-12101](#) [345-060-559-303](#) [392-008-559-201](#) [534671-1](#) [341-240-317](#) [345-044-500-300](#) [346-240-318](#) [387-012-523-300](#) [395-100-524-300](#) [09-07-2032](#) [10035388-802LF](#) [10115859-011LF](#) [10122859-009LF](#) [101269333204245CLF](#) [530555-1](#) [66925-516LF](#) [5145409-2](#) [73726-0005](#) [66308-1](#) [5036A30](#) [PEC-07-02-T-S-A](#) [346-014-520-801](#) [KSLX-62-BR](#) [307-048-502-202](#) [CE100F26-7-C](#) [CE100F28-3-D](#) [CE100F28-4-D](#) [CE156F18-9-C](#) [CE156F22-5-D](#) [CE156F22-9-C](#) [CT100F22-2-D](#) [CT100F22-3-D](#) [CT100F24-2-D](#) [CT100F24-3-D](#) [CT100F24-6-C](#) [MLSS100-12-C](#) [MLSS100-16-C](#) [SCC100F-11-C](#) [SCC100F-16-C](#)