

**SPECIFICATIONS**

**Mechanical**

Contact Retention Force: 0.10kg min.  
Durability : 50 Cycles

**Electrical**

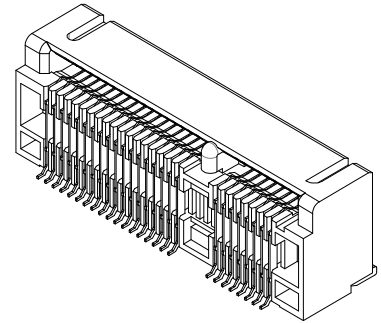
Voltage Rating: 50V  
Current Rating: 0.5A  
Contact Resistance: 55mΩ max.  
Dielectric Withstanding Voltage: 300V AC/1 min.  
Insulation Resistance: 100MΩ

**Physical**

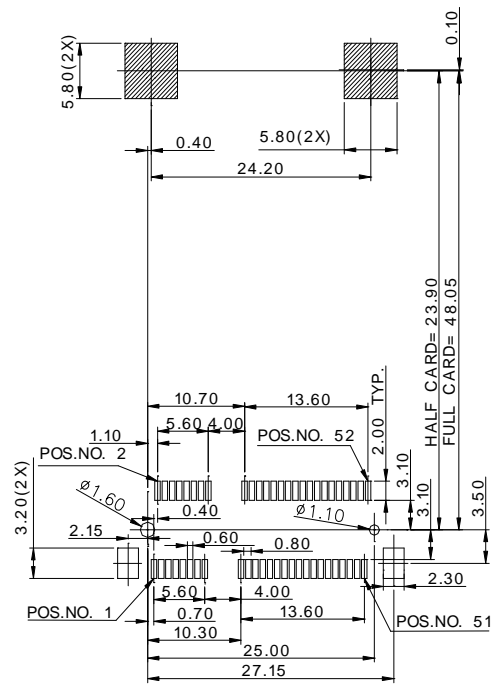
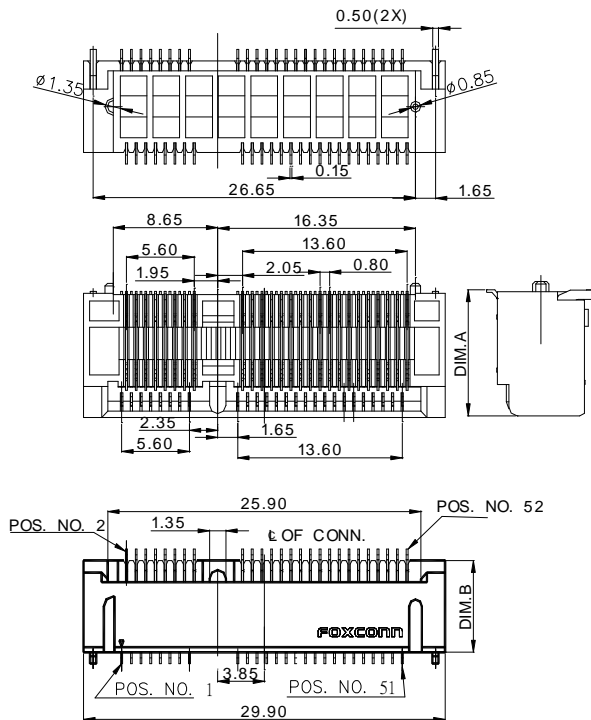
Housing: Thermoplastic, UL 94V-0 rated in Ivory Color  
Contact: Copper alloy  
Plating: See "ORDERING INFORMATION"  
Metal Spring: Copper alloy  
Operating Temperature: -55°C to +80°C

**MINIPCI EXPRESS Socket**

AS Series  
5.6mm,6.8mm,  
7.0mm,8.0mm,9.0mm,  
9.2mm,9.9mm Height  
SMT Type  
0.80mm Pitch  
52 Pos.



**DRAWING**



RECOMMENDED P.C.B. BOARD LAYOUT(THICKNESS=1.0mm)

**ORDERING INFORMATION**

PRODUCT NO.: A S 0 B 2 2 \* - S \*\* Q - 7 H

Memory Module Socket  
Horizontal Type  
Single Row  
No. of Pos.  
B2=52Pos.  
SMT Type  
Contact Area Plating  
1=Gold Flash  
6=10u" Gold plating

H=Halogen/Lead Free  
Package Code  
7=Tape Reel  
Q=General Type  
Conn.Height  
56=5.6mm Height  
68=6.8mm Height  
70=7.0mm Height  
80=8.0mm Height  
90=9.0mm Height  
92=9.2mm Height  
99=9.9mm Height  
S=Standard Type

AS0B22*-S99Q-7H	9.9	7.20
AS0B22*-S92Q-7H	9.2	7.20
AS0B22*-S90Q-7H	9.0	7.20
AS0B22*-S80Q-7H	8.0	7.20
AS0B22*-S70Q-7H	7.0	7.20
AS0B22*-S68Q-7H	6.8	7.20
AS0B22*-S56Q-7H	5.6	7.20
AS0B22*-S52Q-7H	5.2	7.35
P/N	DIM. A	DIM. B

## X-ON Electronics

Largest Supplier of Electrical and Electronic Components

*Click to view similar products for [Foxconn](#) manufacturer:*

Other Similar products are found below :

[2E0BC21-S64BM-7H](#) [2E0BC21-S85BM-7H](#) [2EF5497-DA9D0-8H](#) [2EF5497-DA9DB-8H](#) [2EF5B57-DA9DN-5F](#) [2EG04927-D2DB-DF](#)  
[2EG04927-D2D-DF](#) [2EG04927-D2LN-DF](#) [2EG08217-D2D-DF](#) [2EG14917-D2D8-4F](#) [2EG24927-D5D1-JF](#) [2EG28213-D5D-4F](#) [2EM5407-](#)  
[B19BL-8F](#) [2EZ00161-PH2-4F](#) [3H993321-4M41-01H](#) [3S000000-3L-4F](#) [3S1020F3-AD4-4F](#) [3S103823-01-7F](#) [3VD21203-H7U0-4H](#)  
[3VM11201-D730-7H](#) [AH58897-T2B20-3F](#) [AS0A621-H2R6-7H](#) [AS0A621-H2S6-7H](#) [AS0A621-H8RN-7H](#) [AS0A621-H8SN-7H](#) [AS0A621-](#)  
[HARN-7H](#) [AS0A621-HASN-7H](#) [AS0A626-HASN-7H](#) [AS0A626-J4R6-7H](#) [AS0A821-H2RB-7H](#) [AS0A821-H2SB-7H](#) [AS0A826-H2RB-7H](#)  
[AS0A826-H2SB-7H](#) [AS0B221-S52Q-7H](#) [AS0B221-S68Q-7H](#) [AS0B221-S90Q-7H](#) [AS0B226-S99Q-7H](#) [AS0B821-S55B-7H](#) [AS0B826-S78B-](#)  
[7H](#) [AS0BC21-S30BA-7H](#) [AS0BC21-S30BB-7H](#) [AS0BC21-S30BE-7H](#) [AS0BC21-S30BM-7H](#) [AS0BC21-S40BB-7H](#) [AS0BC21-S40BE-7H](#)  
[AS0BC21-S48BE-7H](#) [ASAA821-EARB0-7H](#) [ASAA821-H4SB5-7H](#) [ASAA826-E8SB0-7H](#) [ASOB226-S52Q-7H](#)