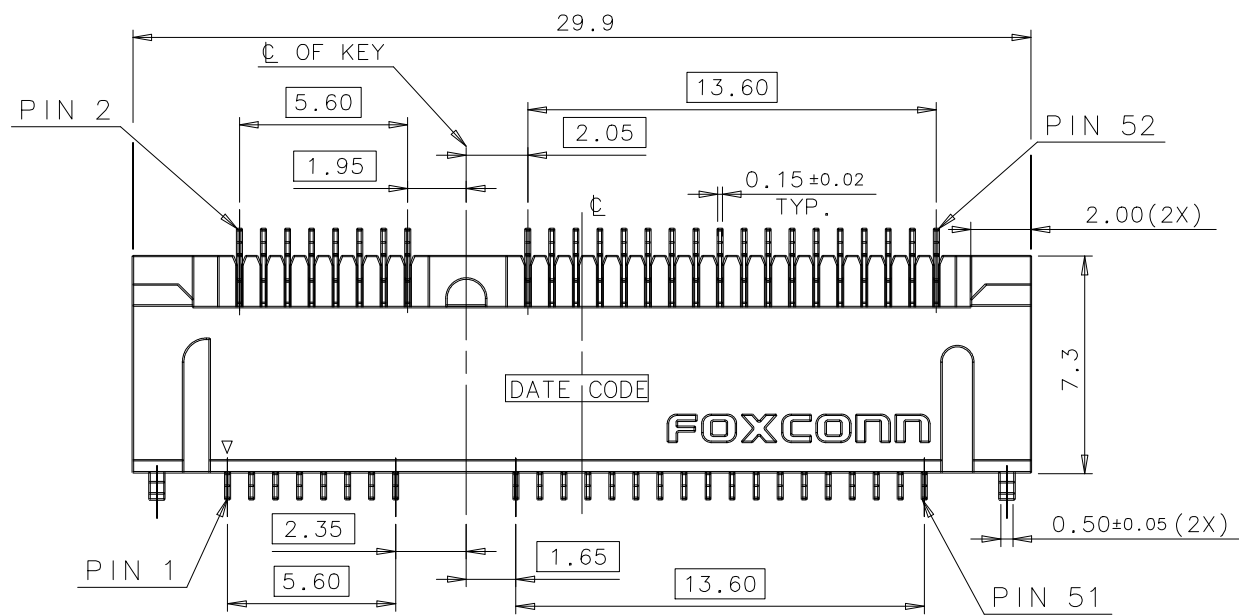
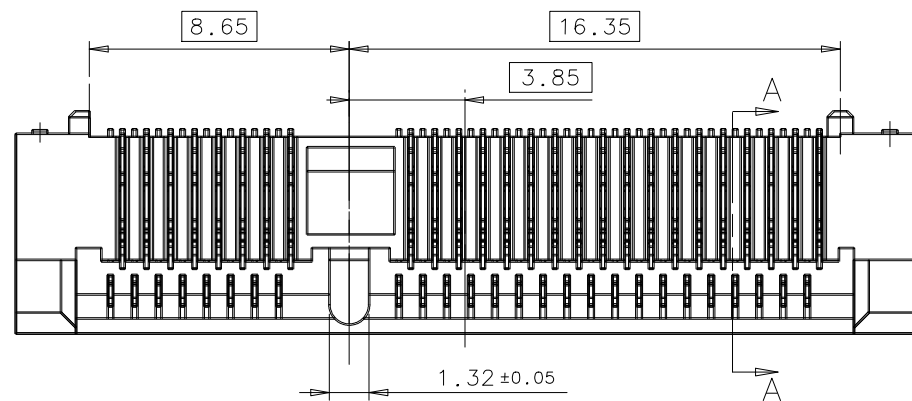
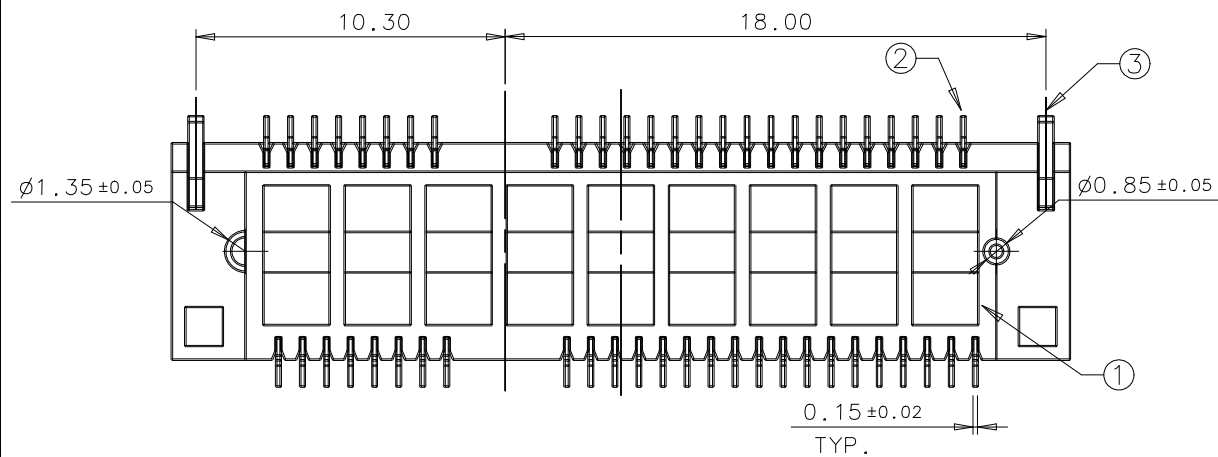


IDEAS GENERATED DRAWING, DO NOT CHANGE BY HAND

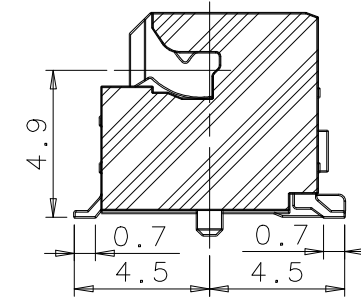
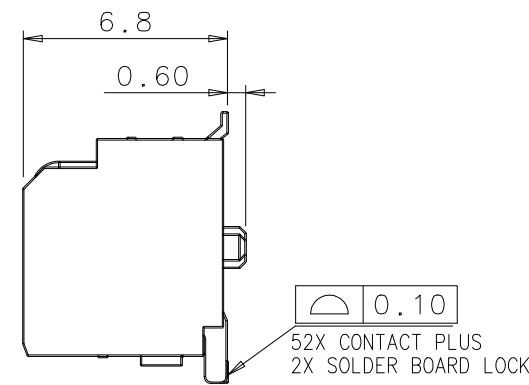
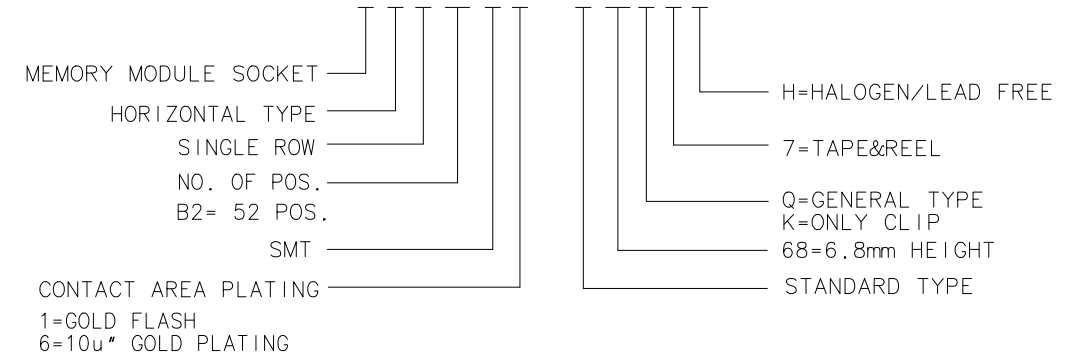
REV.	ECN. NO.	APPD.
A	BC-11-0000496	Herry Yang
B	BC-11-0057196	Herry Yang
C	BC-11-0066194	Herry Yang
D	BC-12-0005050	Y.H.Mao
E	BC-12-0005992	Y.H.Mao

NOTES:

- ELECTRICAL CHARACTERISTICS:
 - CONTACT CURRENT RATING: 0.5 AMPERE MAX. PER PIN.
(PER PIN) DOESN'T EXCEED 30°C ABOVE AMBIENT AT 0.5 AMPERE MAX. PER PIN.
 - VOLTAGE RATING: 50V AC.
 - INSULATION RESISTANCE: 500 MEGAOHMS MIN. AT 500V DC.
 - DIELECTRIC WITHSTANDING VOLTAGE: 300V AC RMS AT 60Hz, FOR 1 MINUTE.
 - CONTACT RESISTANCE : 55 MILLIOHMS MAX. PER PIN INITIAL.
 $\Delta R=20$ MILLIOHMS MAX. PER PIN AFTER FULL ENVIRONMENTAL TESTING.
- MECHANICAL CHARACTERISTICS: DURABILITY: 50 MATING CYCLES.
- OPERATION TEMPERATURE: -40°C TO +80°C.
- PLEASE CONTACT FOXCONN SALES REPRESENTATIVE TO VERIFY PRODUCT DETAIL & AVAILABILITY.



PART NO. DESCRIPTION: A S O B 2 * - S 6 8 * - 7 H

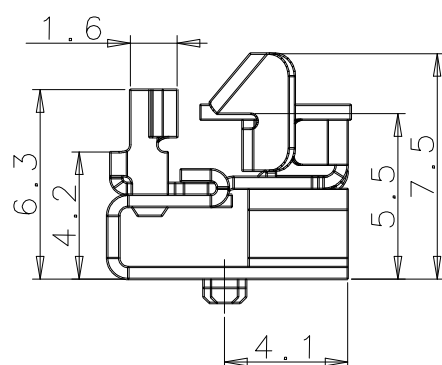
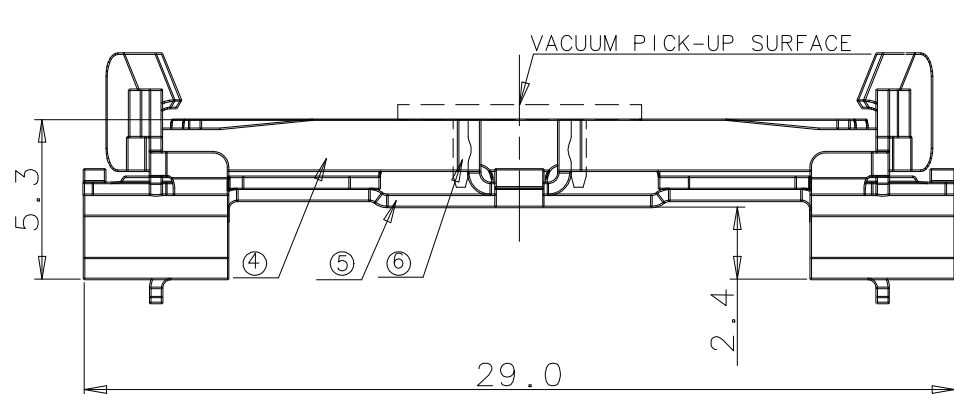
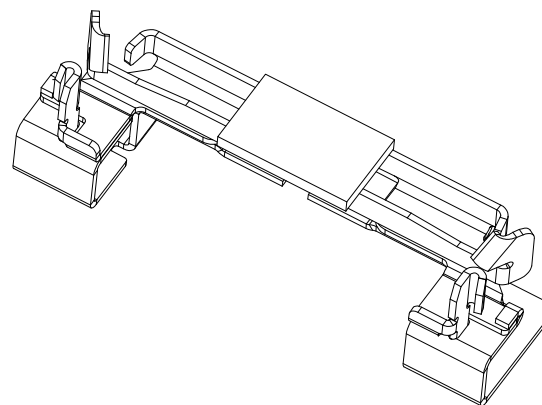
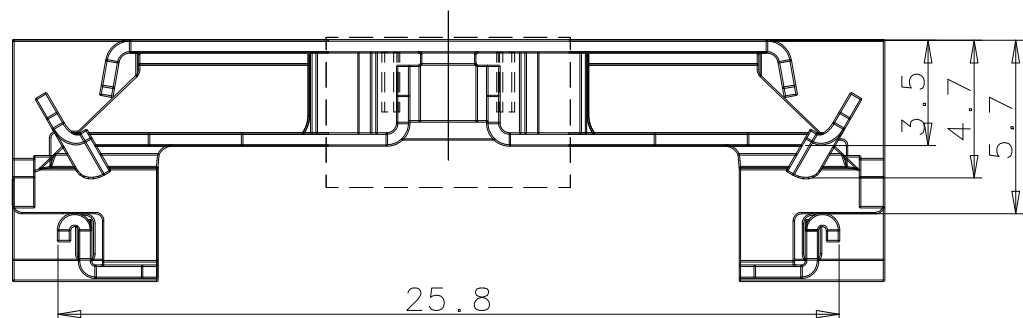
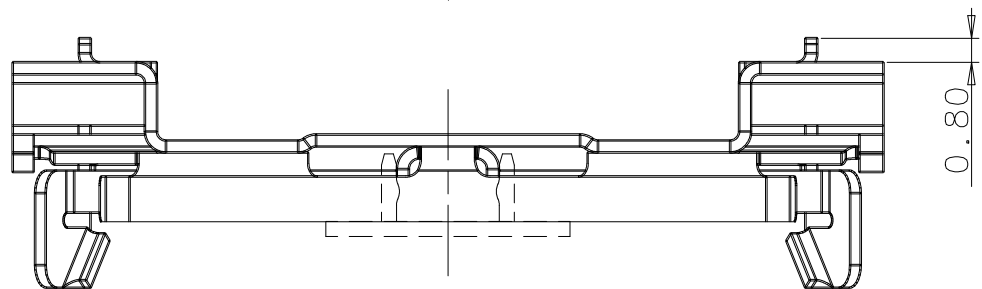
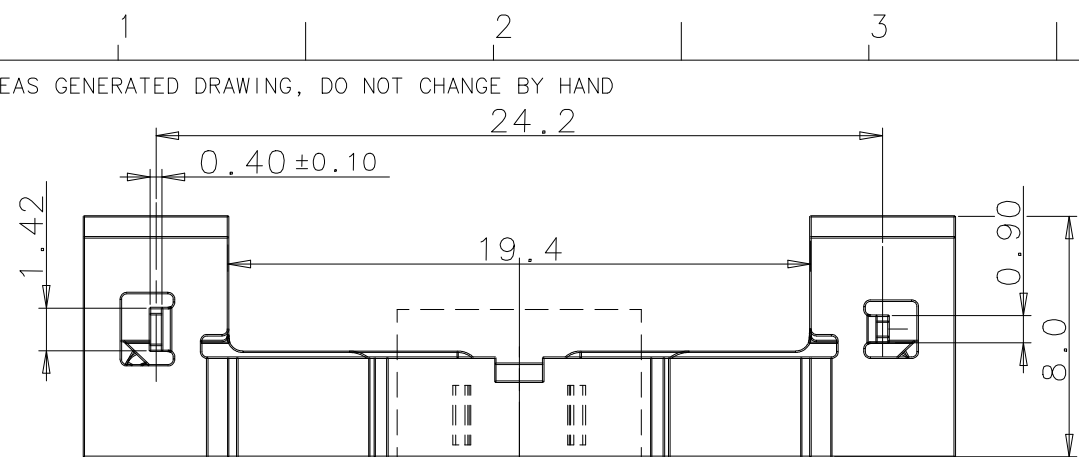


SECTION A-A

X. ± 0.30	X° ± 2°	UNITS	mm	NAME (INTENDED USE)	FOXCONN HON HAI PRECISION IND. CO., LTD. TAIPEI, TAIWAN, R.O.C.
.X ± 0.25	.X° ± 1°	MAT'L		MINI PCI EXPRESS CONNECTOR	
.XX ± 0.15	.XX° ±	FINISH		PART NO. (INTENDED USE)	TITLE:
.XXX ±	.XXX° ±	Q'TY		AS0B22*-S68*-7H	CUSTOMER DRAWING
THESE DRAWINGS AND SPECIFICATIONS ARE THE PROPERTY OF HON HAI PRECISION IND. CO., LTD. AND SHALL NOT BE REPRODUCED, COPIED OR USED IN ANY MANNER WITHOUT THE PRIOR WRITTEN CONSENT OF HON HAI PRECISION IND. CO., LTD.				APPD: Y.H.Mao	DWG NO.:
				CHKD: Alex Wong	317-0000-2034
				DR: LiPing Yang 2/1'12	SCALE SHEET REV.
					N/A 1/7 E

IDEAS GENERATED DRAWING, DO NOT CHANGE BY HAND

REV.	ECN.	NO.	APPD.
------	------	-----	-------



⑥	CAP	1	THERMOPLASTIC	UL94V-0, IVORY COLOR(IN ORDER TO PICK-UP, TAKE AWAY AFTER ASSEMBLY)
⑤	CLIP(2)	1	STAINLESS STEEL	10u" NICKEL UNDER PLATING 2u" Pd PLATING OVER SOLDER PAD AREA
④	CLIP(1)	1	STAINLESS STEEL	NO PLATING
③	BOARD LOCK	2	COPPER ALLOY	50u" NICKEL UNDER PLATING 100u" MATTE TIN OVER ALL
②	CONTACT	52	COPPER ALLOY	50u" NICKEL UNDER PLATING GOLD FLASH AT TAIL 10u" GOLD PLATING OR GOLD FLASH AT CONTACT AREA
①	HOUSING	1	THERMOPLASTIC	UL94V-0, IVORY COLOR

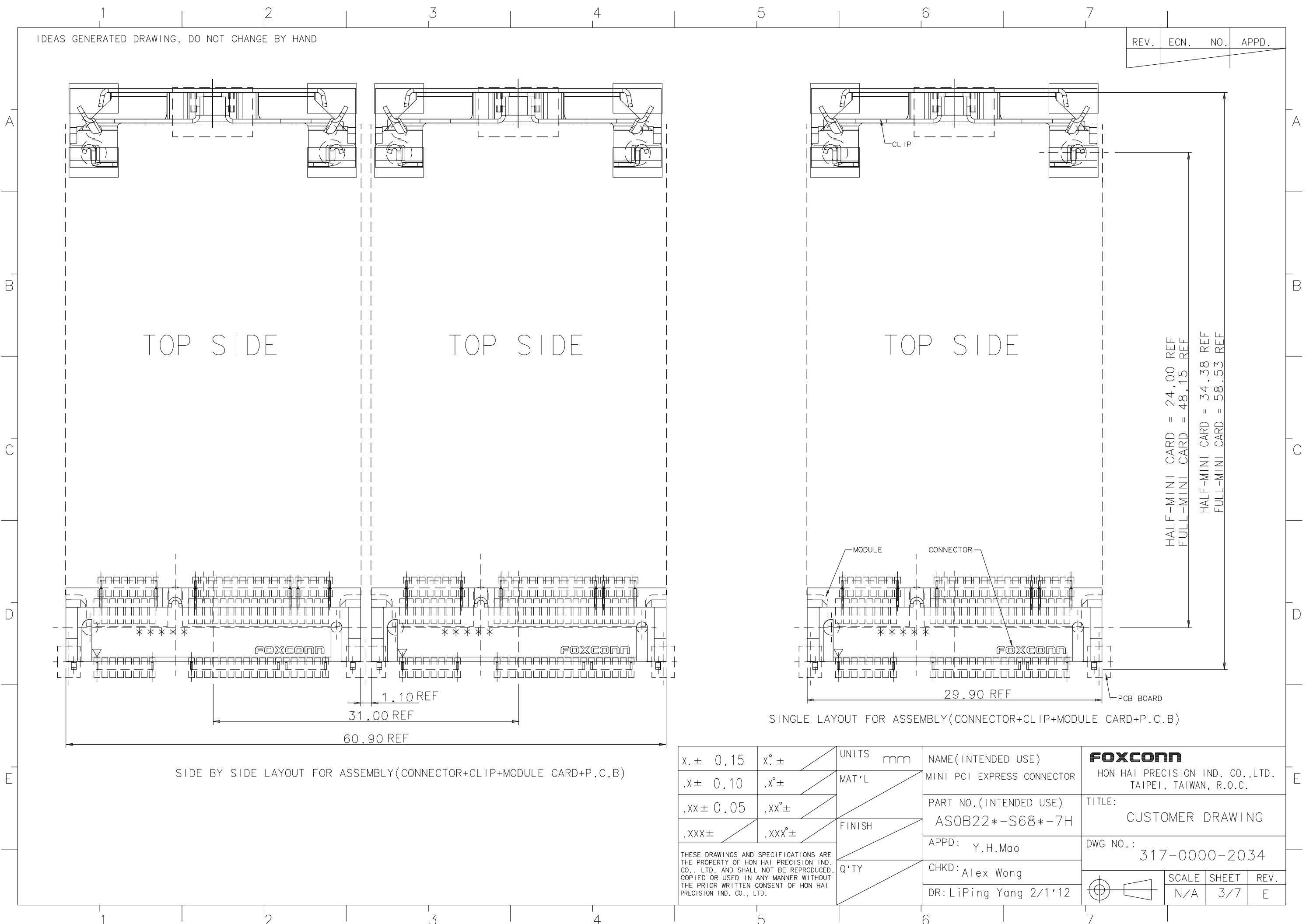
ITEM	DESCRIPTION	Q'TY	MATERIAL	TREATMENT
X. ±	0.30	X° ±	UNITS	mm
.X ±	0.25	.X° ±	MAT'L	NAME (INTENDED USE)
.XX ±	0.15	.XX° ±	FINISH	MINI PCI EXPRESS CONNECTOR
.XXX ±		.XXX° ±	Q'TY	PART NO. (INTENDED USE)
<small>THESE DRAWINGS AND SPECIFICATIONS ARE THE PROPERTY OF HON HAI PRECISION IND. CO., LTD. AND SHALL NOT BE REPRODUCED, COPIED OR USED IN ANY MANNER WITHOUT THE PRIOR WRITTEN CONSENT OF HON HAI PRECISION IND. CO., LTD.</small>				ASOB22*-S68*-7H
				TITLE:
				APPD: Y.H.Mao
				DWG NO.: 317-0000-2034
				CHKD: Alex Wong
				DR: LiPing Yang 2/1'12
				SCALE SHEET REV.
				N/A 2/7 E



SCALE SHEET REV.
N/A 2/7 E

IDEAS GENERATED DRAWING, DO NOT CHANGE BY HAND

REV.	ECN.	NO.	APPD.
------	------	-----	-------



TOP SIDE

TOP SIDE

TOP SIDE

HALF-MINI CARD = 24.00 REF
 FULL-MINI CARD = 48.15 REF
 HALF-MINI CARD = 34.38 REF
 FULL-MINI CARD = 58.53 REF

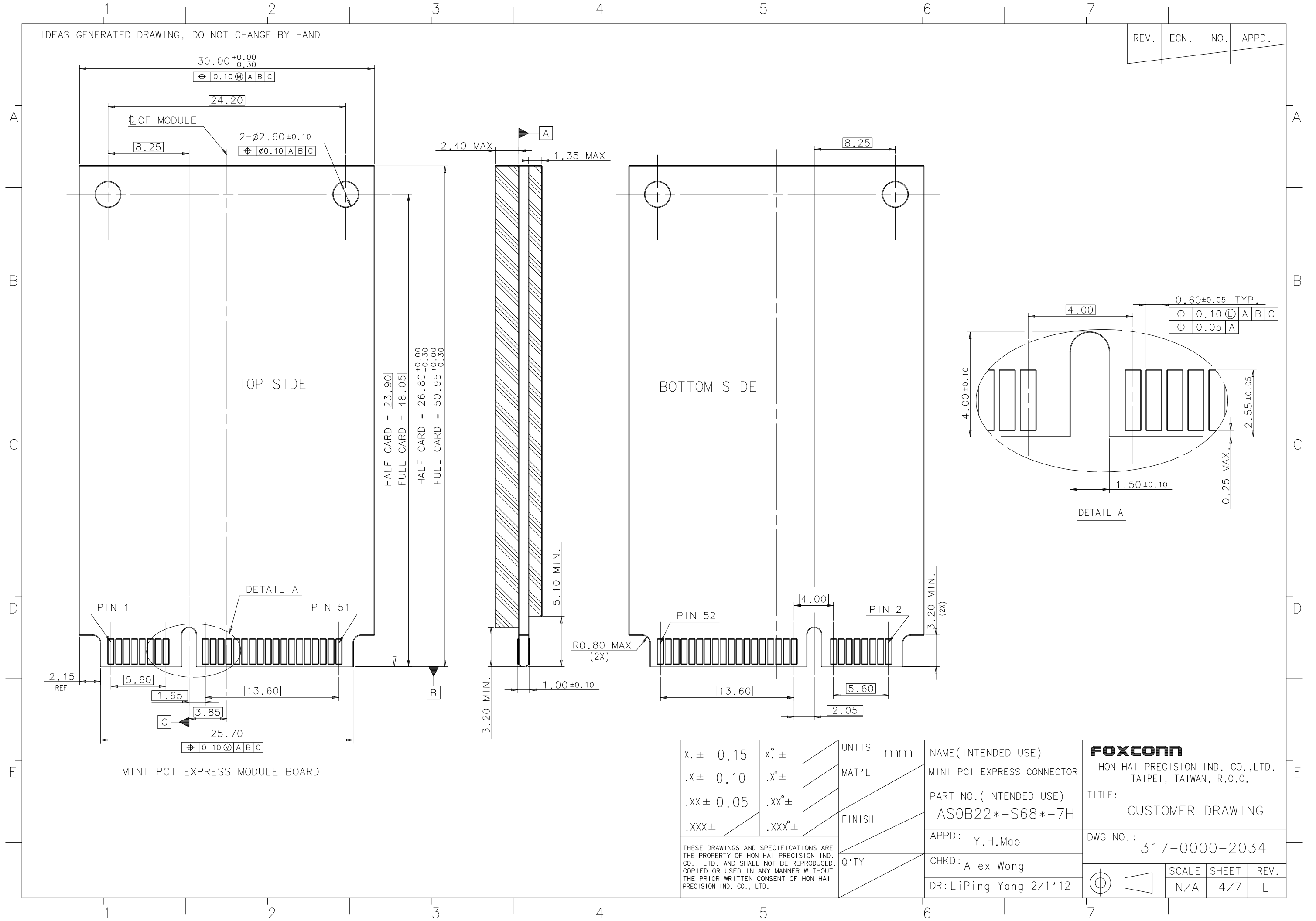
SIDE BY SIDE LAYOUT FOR ASSEMBLY(CONNECTOR+CLIP+MODULE CARD+P.C.B)

SINGLE LAYOUT FOR ASSEMBLY(CONNECTOR+CLIP+MODULE CARD+P.C.B)

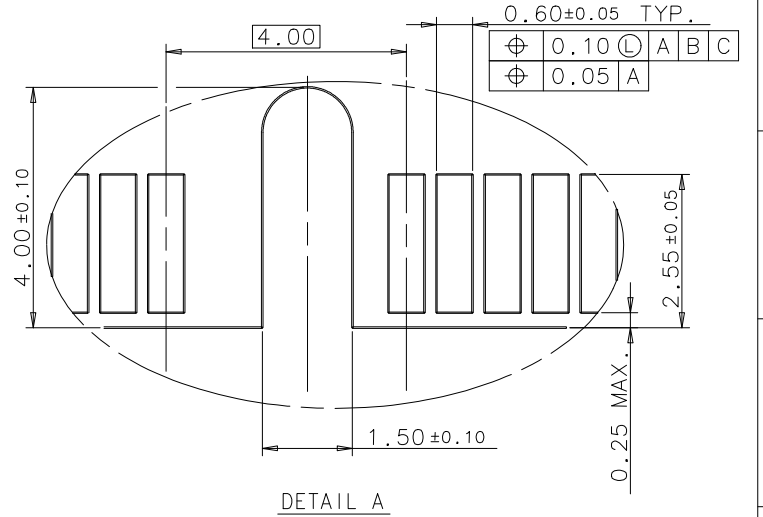
X. ± 0.15	X.° ±	UNITS	mm	NAME (INTENDED USE)	FOXCONN HON HAI PRECISION IND. CO., LTD. TAIPEI, TAIWAN, R.O.C.
.X ± 0.10	.X° ±	MAT'L		MINI PCI EXPRESS CONNECTOR	
.XX ± 0.05	.XX° ±			PART NO. (INTENDED USE)	TITLE:
.XXX ±	.XXX° ±	FINISH		ASOB22*-S68*-7H	CUSTOMER DRAWING
THESE DRAWINGS AND SPECIFICATIONS ARE THE PROPERTY OF HON HAI PRECISION IND. CO., LTD. AND SHALL NOT BE REPRODUCED, COPIED OR USED IN ANY MANNER WITHOUT THE PRIOR WRITTEN CONSENT OF HON HAI PRECISION IND. CO., LTD.				APPD: Y.H.Mao	DWG NO.:
				CHKD: Alex Wong	317-0000-2034
				DR: LiPing Yang 2/1'12	
					SCALE
					N/A
					SHEET
					3/7
					REV.
					E

IDEAS GENERATED DRAWING, DO NOT CHANGE BY HAND

REV.	ECN.	NO.	APPD.



HALF CARD = 23.90
 FULL CARD = 48.05
 HALF CARD = 26.80^{+0.00}/_{-0.30}
 FULL CARD = 50.95^{+0.00}/_{-0.30}

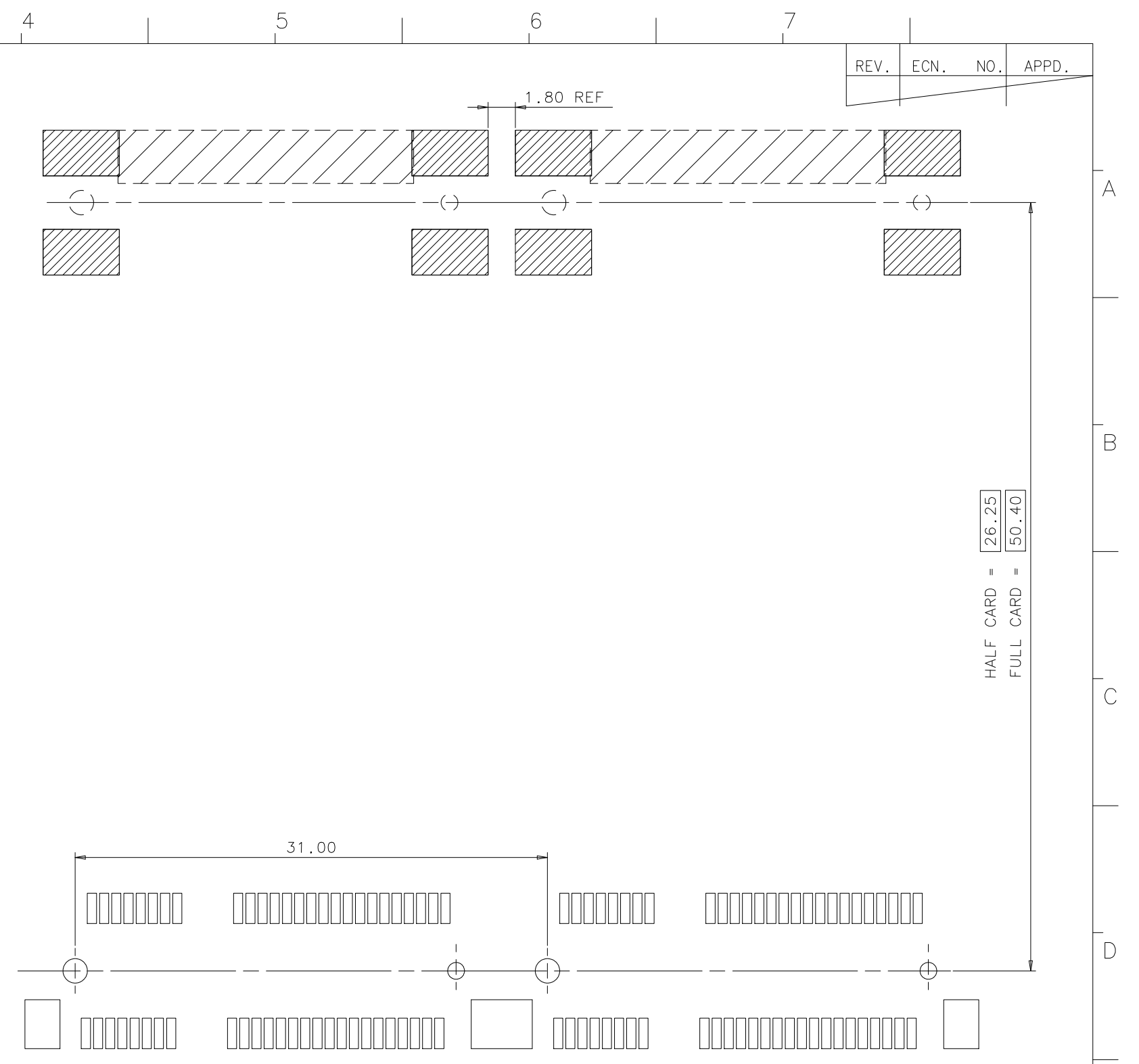
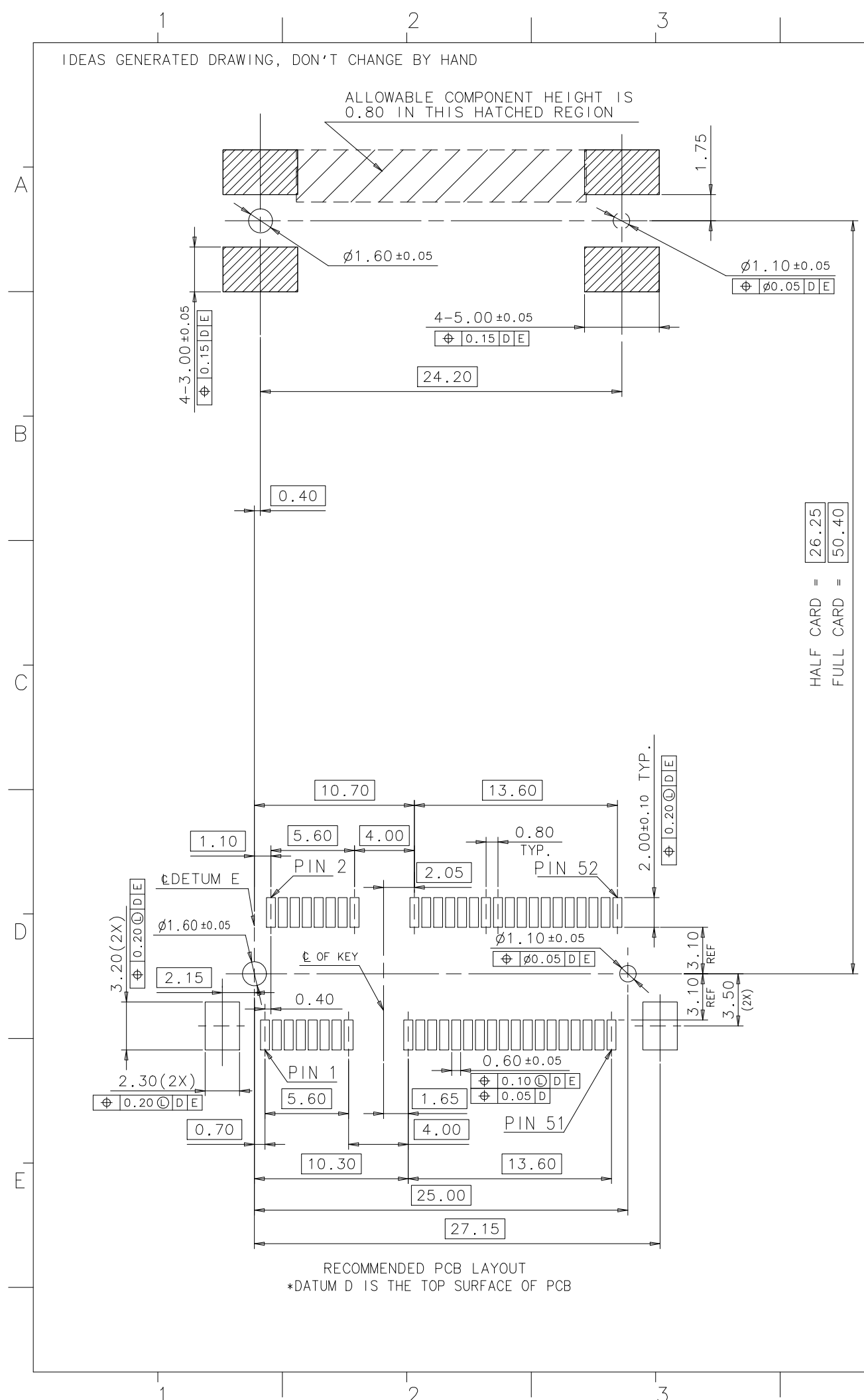


MINI PCI EXPRESS MODULE BOARD

x. ± 0.15	x.° ±	UNITS	mm	NAME (INTENDED USE)	FOXCONN HON HAI PRECISION IND. CO., LTD. TAIPEI, TAIWAN, R.O.C.	
.x ± 0.10	.x.° ±	MAT'L		MINI PCI EXPRESS CONNECTOR		
.xx ± 0.05	.xx.° ±			PART NO. (INTENDED USE)	TITLE:	
.xxx ±	.xxx.° ±	FINISH		AS0B22*-S68*-7H	CUSTOMER DRAWING	
THESE DRAWINGS AND SPECIFICATIONS ARE THE PROPERTY OF HON HAI PRECISION IND. CO., LTD. AND SHALL NOT BE REPRODUCED, COPIED OR USED IN ANY MANNER WITHOUT THE PRIOR WRITTEN CONSENT OF HON HAI PRECISION IND. CO., LTD.				APPD: Y.H.Mao	DWG NO.:	
				CHKD: Alex Wong	317-0000-2034	
				DR: LiPing Yang 2/1'12		
				SCALE	SHEET	REV.
				N/A	4/7	E

IDEAS GENERATED DRAWING, DON'T CHANGE BY HAND

REV.	ECN.	NO.	APPD.



HALF CARD = 26.25
FULL CARD = 50.40

HALF CARD = 26.25
FULL CARD = 50.40

RECOMMENDED PCB LAYOUT (SIDE BY SIDE)

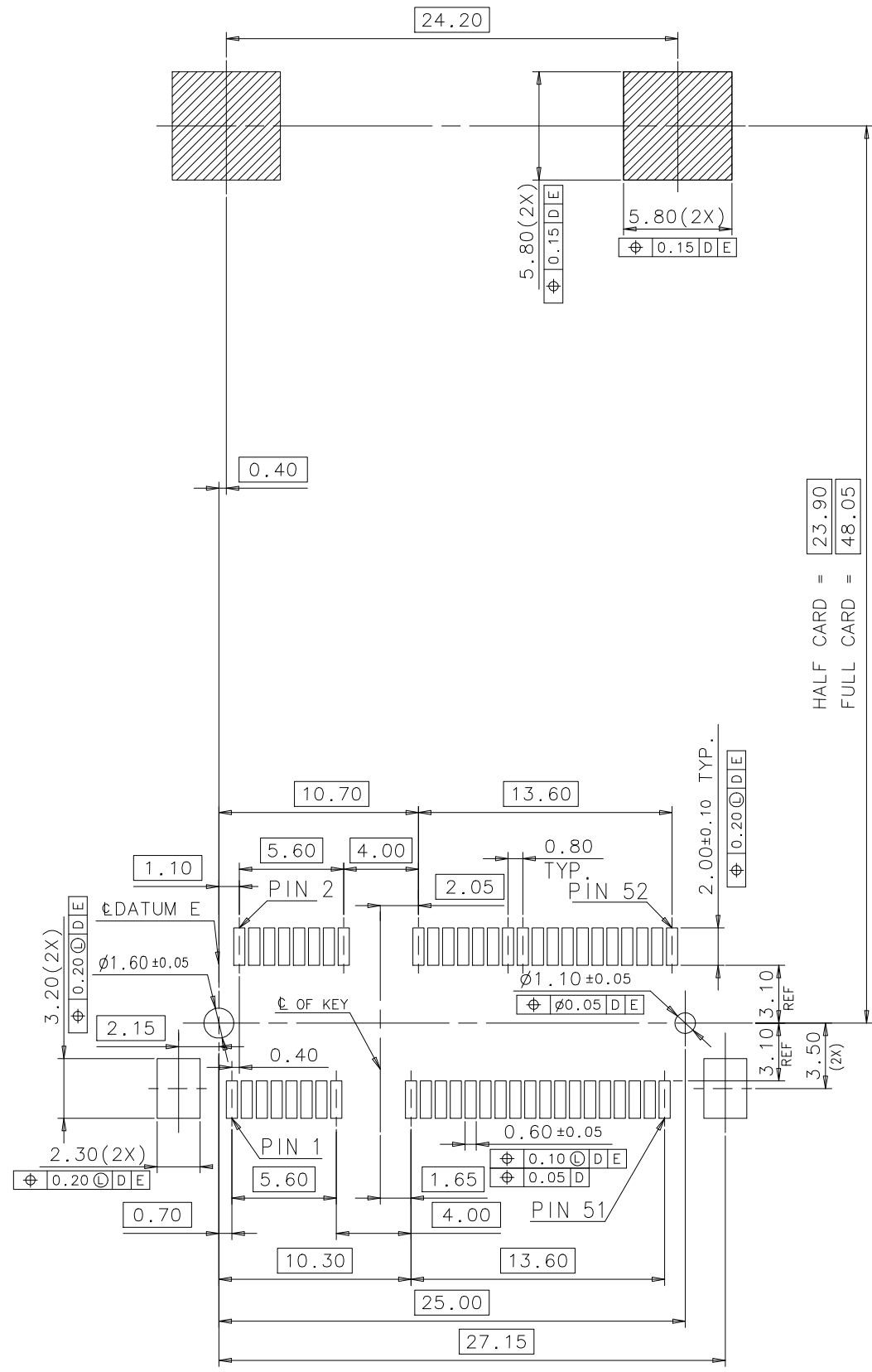
$x. \pm 0.15$	$x^\circ \pm$	UNITS	mm	NAME (INTENDED USE)	FOXCONN HON HAI PRECISION IND. CO., LTD. TAIPEI, TAIWAN, R.O.C.
$.x \pm 0.10$	$.x^\circ \pm$	MAT'L		MINI PCI EXPRESS CONNECTOR	
$.xx \pm 0.05$	$.xx^\circ \pm$	FINISH		PART NO. (INTENDED USE)	TITLE:
$.xxx \pm$	$.xxx^\circ \pm$	Q'TY		AS0B22*-S68*-7H	CUSTOMER DRAWING
THESE DRAWINGS AND SPECIFICATIONS ARE THE PROPERTY OF HON HAI PRECISION IND. CO., LTD. AND SHALL NOT BE REPRODUCED, COPIED OR USED IN ANY MANNER WITHOUT THE PRIOR WRITTEN CONSENT OF HON HAI PRECISION IND. CO., LTD.				APPD: Y.H.Mao	DWG NO.:
				CHKD: Alex Wong	317-0000-2034
				DR: LiPing Yang 2/1'12	SCALE SHEET REV.
					N/A 5/7 E

IDEAS GENERATED DRAWING, DO NOT CHANGE BY HAND

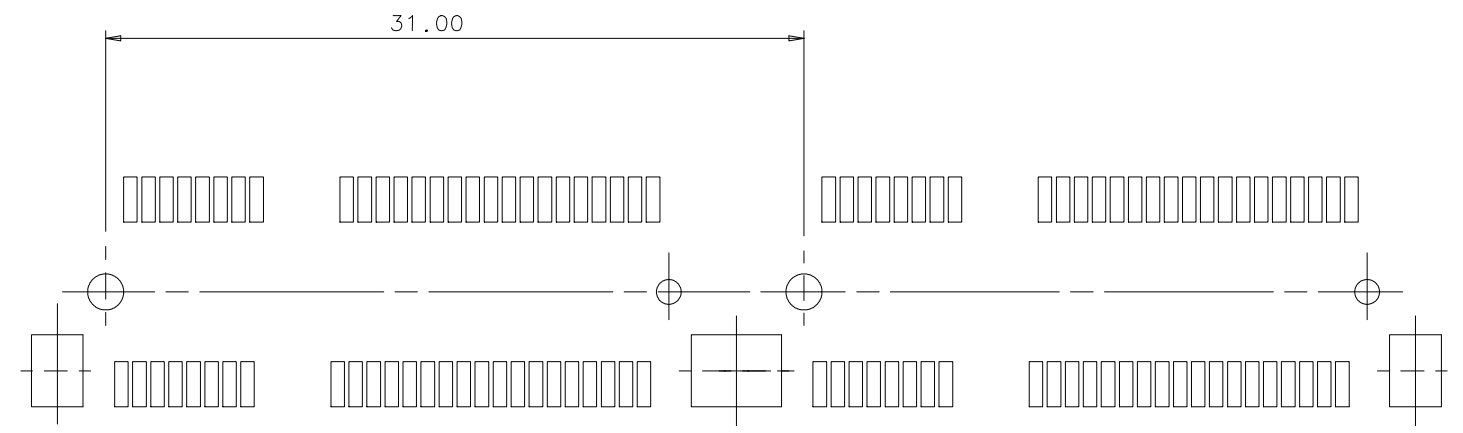
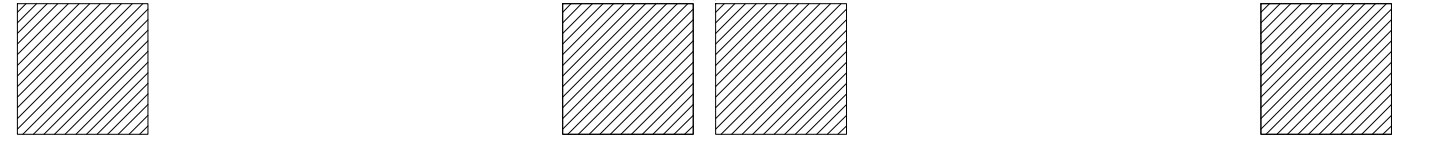
REV.	ECN.	NO.	APPD.

A
B
C
D
E

A
B
C
D
E



HALF CARD = 23.90
FULL CARD = 48.05

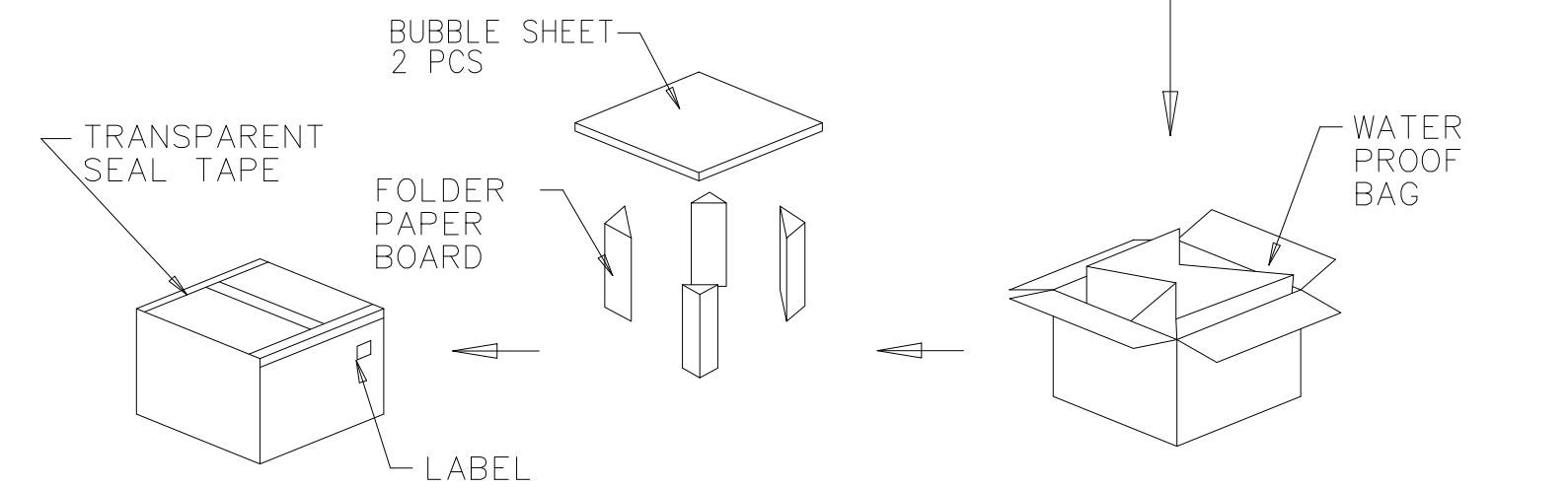
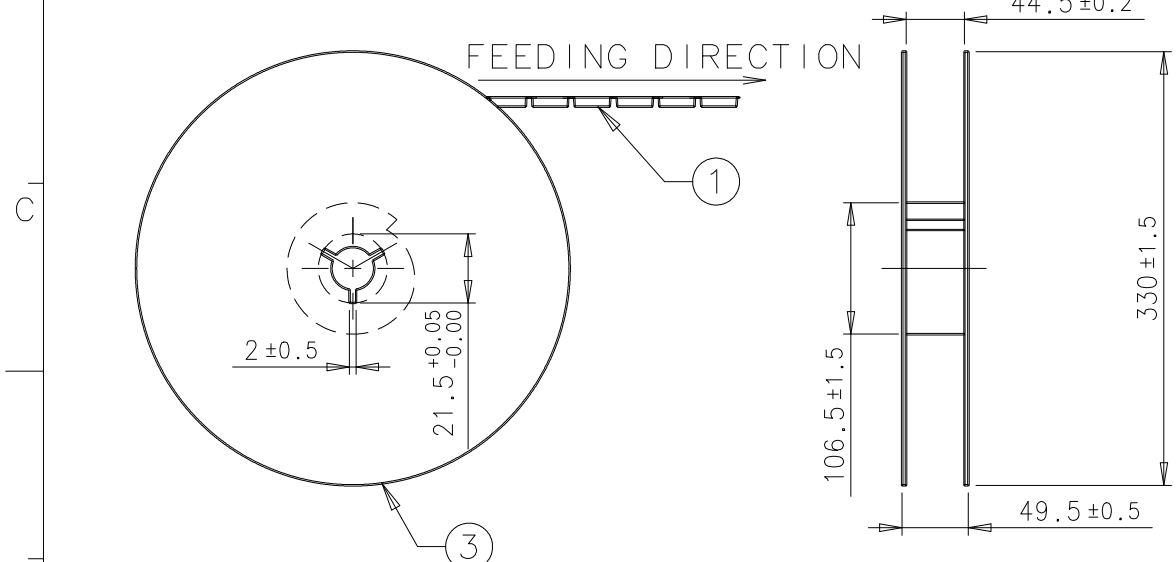
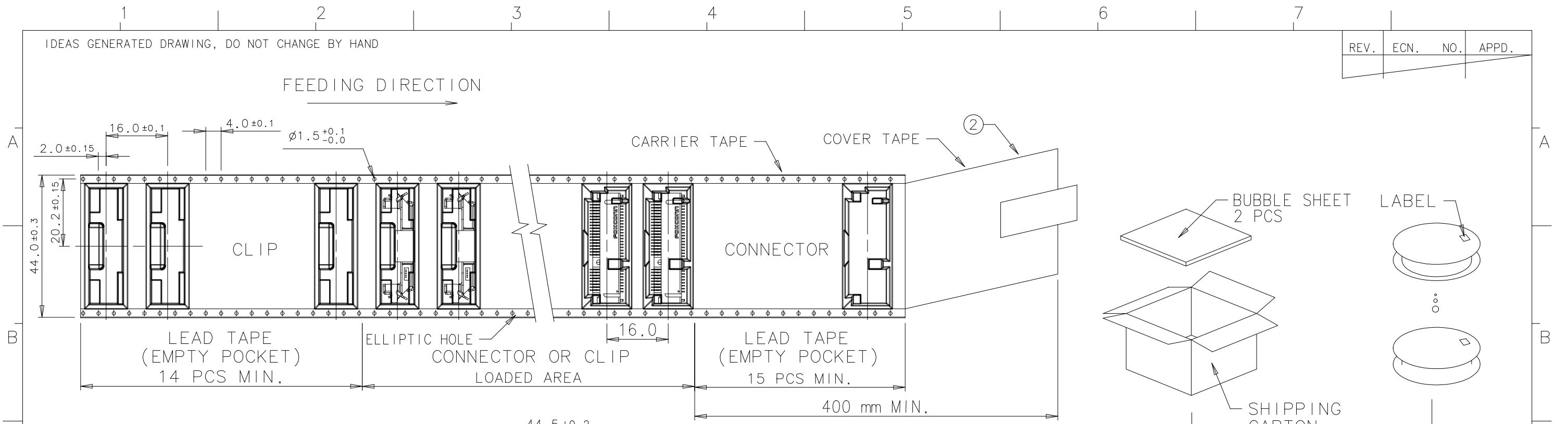


RECOMMENDED SIDE BY SIDE P.C.B LAYOUT(WITH NUT)

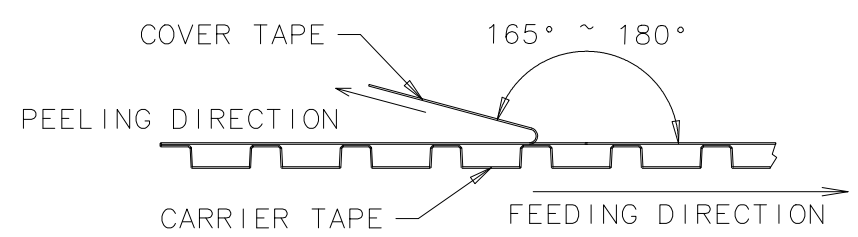
X. ± 0.15	X° ±	UNITS mm	NAME (INTENDED USE)	FOXCONN HON HAI PRECISION IND. CO., LTD. TAIPEI, TAIWAN, R.O.C.
.X ± 0.10	.X° ±		MINI PCI EXPRESS CONNECTOR	
.XX ± 0.05	.XX° ±	MAT'L	PART NO. (INTENDED USE)	TITLE:
.XXX ±	.XXX° ±		AS0B22*-S68*-7H	CUSTOMER DRAWING
THESE DRAWINGS AND SPECIFICATIONS ARE THE PROPERTY OF HON HAI PRECISION IND. CO., LTD. AND SHALL NOT BE REPRODUCED, COPIED OR USED IN ANY MANNER WITHOUT THE PRIOR WRITTEN CONSENT OF HON HAI PRECISION IND. CO., LTD.			FINISH	DWG NO.:
			Q'TY	317-0000-2034
APPD: Y.H.Mao			CHKD: Alex Wong	SCALE SHEET REV. N/A 6/7 E
DR: LiPing Yang 2/1'12			DR: LiPing Yang 2/1'12	

IDEAS GENERATED DRAWING, DO NOT CHANGE BY HAND

REV.	ECN.	NO.	APPD.



- NOTES:
- 10 POCKETS HOLE PITCH CUMULATIVE TOLERANCE $\pm 0.20\text{mm}$.
 - COVER TAPE PEELING STRENGTH : 0.01 kgf MIN & 0.13 kgf MAX. AT 300mm/min.



3. PACKING CAPACITY :

PART No.	PCS / REEL	REEL / BOX	PCS / BOX
ASOB22*-S68Q-7H	400	5	2000
ASOB22*-S68K-7H	400	5	2000

③	REEL	POLYSTYRENE
②	COVER TAPE	POLYESTER
①	CARRIER TAPE	POLYSTYRENE
ITEM	DESCRIPTION	MATERIAL

X. ± 0.30	X° \pm	UNITS	mm	NAME (INTENDED USE)	FOXCONN		
.X ± 0.25	.X° \pm	MAT'L		MINI PCI EXPRESS CONNECTOR	HON HAI PRECISION IND. CO., LTD. TAIPEI, TAIWAN, R.O.C.		
.XX ± 0.15	.XX° \pm			PART NO. (INTENDED USE)	TITLE:		
.XXX \pm	.XXX° \pm	FINISH		ASOB22*-S68*-**	CUSTOMER DRAWING		
THESE DRAWINGS AND SPECIFICATIONS ARE THE PROPERTY OF HON HAI PRECISION IND. CO., LTD. AND SHALL NOT BE REPRODUCED, COPIED OR USED IN ANY MANNER WITHOUT THE PRIOR WRITTEN CONSENT OF HON HAI PRECISION IND. CO., LTD.				APPD:	Y.H.Mao	DWG NO.:	317-0000-2034
				CHKD:	Alex Wong	SCALE	SHEET
				DR: LiPing Yang 2/1'12	N/A	7/7	E

X-ON Electronics

Largest Supplier of Electrical and Electronic Components

Click to view similar products for [Foxconn](#) manufacturer:

Other Similar products are found below :

[2E0BC21-S64BM-7H](#) [2E0BC21-S85BM-7H](#) [2EF5497-DA9D0-8H](#) [2EF5497-DA9DB-8H](#) [2EF5B57-DA9DN-5F](#) [2EG04927-D2DB-DF](#)
[2EG04927-D2D-DF](#) [2EG04927-D2LN-DF](#) [2EG08217-D2D-DF](#) [2EG14917-D2D8-4F](#) [2EG24927-D5D1-JF](#) [2EG28213-D5D-4F](#) [2EM5407-](#)
[B19BL-8F](#) [2EZ00161-PH2-4F](#) [3H993321-4M41-01H](#) [3S000000-3L-4F](#) [3S1020F3-AD4-4F](#) [3S103823-01-7F](#) [3VD21203-H7U0-4H](#)
[3VM11201-D730-7H](#) [AH58897-T2B20-3F](#) [AS0A621-H2R6-7H](#) [AS0A621-H2S6-7H](#) [AS0A621-H8RN-7H](#) [AS0A621-H8SN-7H](#) [AS0A621-](#)
[HARN-7H](#) [AS0A621-HASN-7H](#) [AS0A626-HASN-7H](#) [AS0A626-J4R6-7H](#) [AS0A821-H2RB-7H](#) [AS0A821-H2SB-7H](#) [AS0A826-H2RB-7H](#)
[AS0A826-H2SB-7H](#) [AS0B221-S52Q-7H](#) [AS0B221-S68Q-7H](#) [AS0B221-S90Q-7H](#) [AS0B226-S99Q-7H](#) [AS0B821-S55B-7H](#) [AS0B826-S78B-](#)
[7H](#) [AS0BC21-S30BA-7H](#) [AS0BC21-S30BB-7H](#) [AS0BC21-S30BE-7H](#) [AS0BC21-S30BM-7H](#) [AS0BC21-S40BB-7H](#) [AS0BC21-S40BE-7H](#)
[AS0BC21-S48BE-7H](#) [ASAA821-EARB0-7H](#) [ASAA821-H4SB5-7H](#) [ASAA826-E8SB0-7H](#) [ASOB226-S52Q-7H](#)