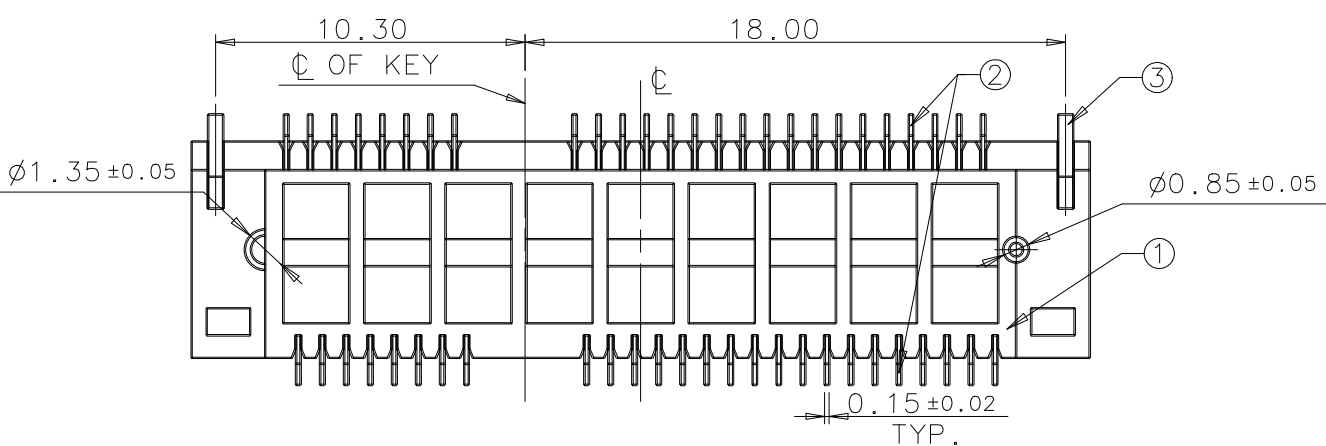


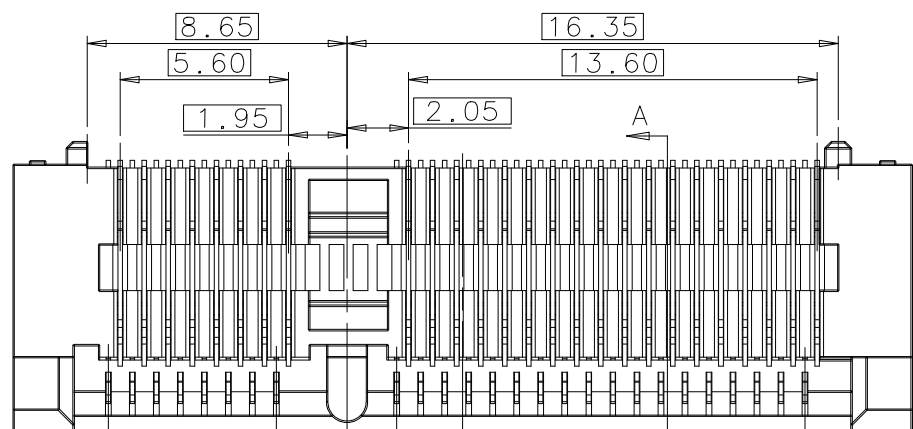
IDEAS GENERATED DRAWING, DO NOT CHANGE BY HAND

| REV. | ECN. NO. | APPD. |
|------|---------------|------------|
| A | BC-11-0002261 | Herry Yang |
| B | BC-11-0053920 | Herry Yang |
| C | BC-11-0071635 | Herry Yang |
| D | BC-12-0009691 | Y.H.Mao |
| E | BC-14-0006311 | C.S.Li |



NOTES:

- ELECTRICAL CHARACTERISTICS :
 - CONTACT CURRENT RATING : 0.5 AMPERE MAX. PER PIN. DOESN'T EXCEED 30°C ABOVE AMBIENT AT 0.5 AMPERE MAX. PER PIN.
 - VOLTAGE RATING 50V AC.
 - INSULATION RESISTANCE : 500 MEGAOHMS. MIN. AT 500V DC.
 - DIELECTRIC WITHSTANDING VOLTAGE: 300V AC RMS AT 60Hz, FOR 1 MINUTE.
 - CONTACT RESISTANCE: 55 MILLIOHMS MAX. PER PIN INITIAL, ΔR=20 MILLIOHMS MAX. PER PIN AFTER FULL ENVIRONMENTAL TESTING.
- MECHANICAL CHARACTERISTICS : DURABILITY : 50 MATING CYCLES.
- OPERATION TEMPERATURE : -40°C TO +80°C
- PLEASE CONTACT FOXCONN SALES REPRESENTATIVE TO VERIFY PRODUCT DETAILS & AVAILABILITY.

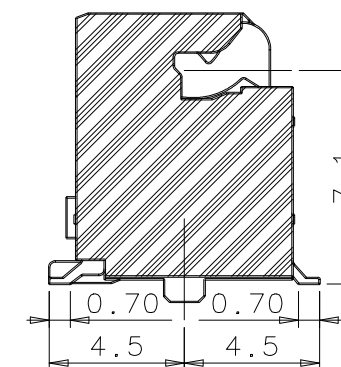
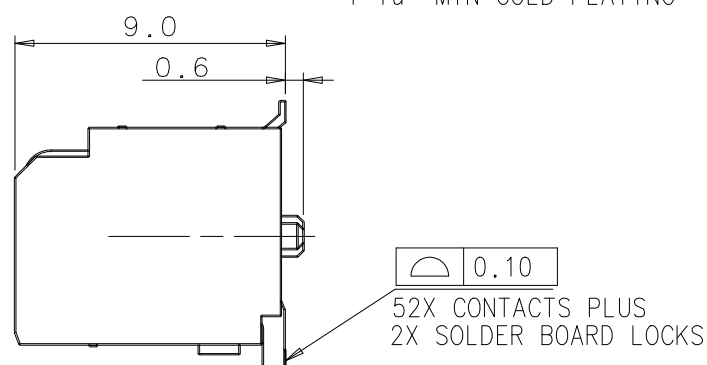
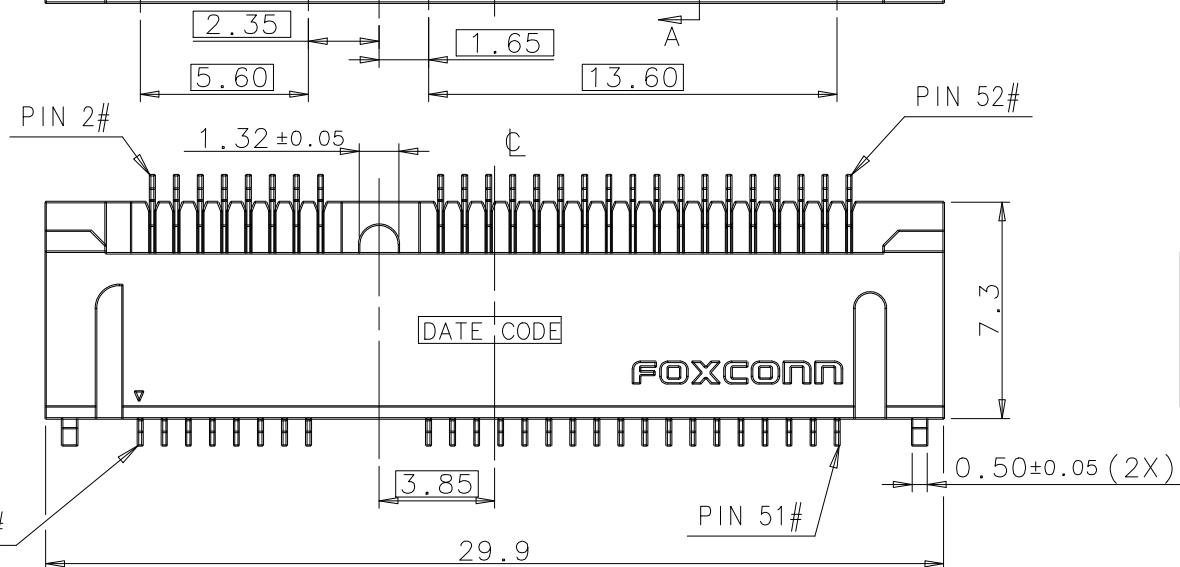


PART NO. DESCRIPTION: A S 0 B2 2 * - S 90 Q-7 H

MEMORY MODULE SOCKET
 HORIZONTAL TYPE
 SINGLE ROW
 NO. OF POS. B2= 52 POS.
 SMT

H=HALOGEN/LEAD FREE
 7=TAPE&REEL
 Q=GENERAL TYPE
 90=9.0mm HEIGHT
 STANDARD TYPE

CONTACT AREA PLATING
 6=10u" MIN GOLD PLATING
 1=1u" MIN GOLD PLATING



SECTION A-A

| ITEM | DESCRIPTION | Q'TY | MATERIAL | TREATMENT |
|------|-------------|------|---------------|--|
| ③ | BOARD LOCK | 2 | COPPER ALLOY | 50u" NICKEL UNDER PLATING 100u" MATTE TIN PLATING OVER ALL |
| ② | CONTACT | 52 | COPPER ALLOY | 50u" NICKEL UNDER PLATING GOLD FLASH PLATING AT TAIL 10u" MIN GOLD PLATING OR 1u" MIN GOLD PLATING AT CONTACT AREA |
| ① | HOUSING | 1 | THERMOPLASTIC | UL94V-0 IVORY COLOR |

| | | | |
|------------|----------|--------|----|
| X. ± 0.30 | X° ± 2° | UNITS | mm |
| .X ± 0.25 | .X° ± 1° | MAT'L | |
| .XX ± 0.15 | .XX° ± | FINISH | |
| .XXX ± | .XXX° ± | Q'TY | |

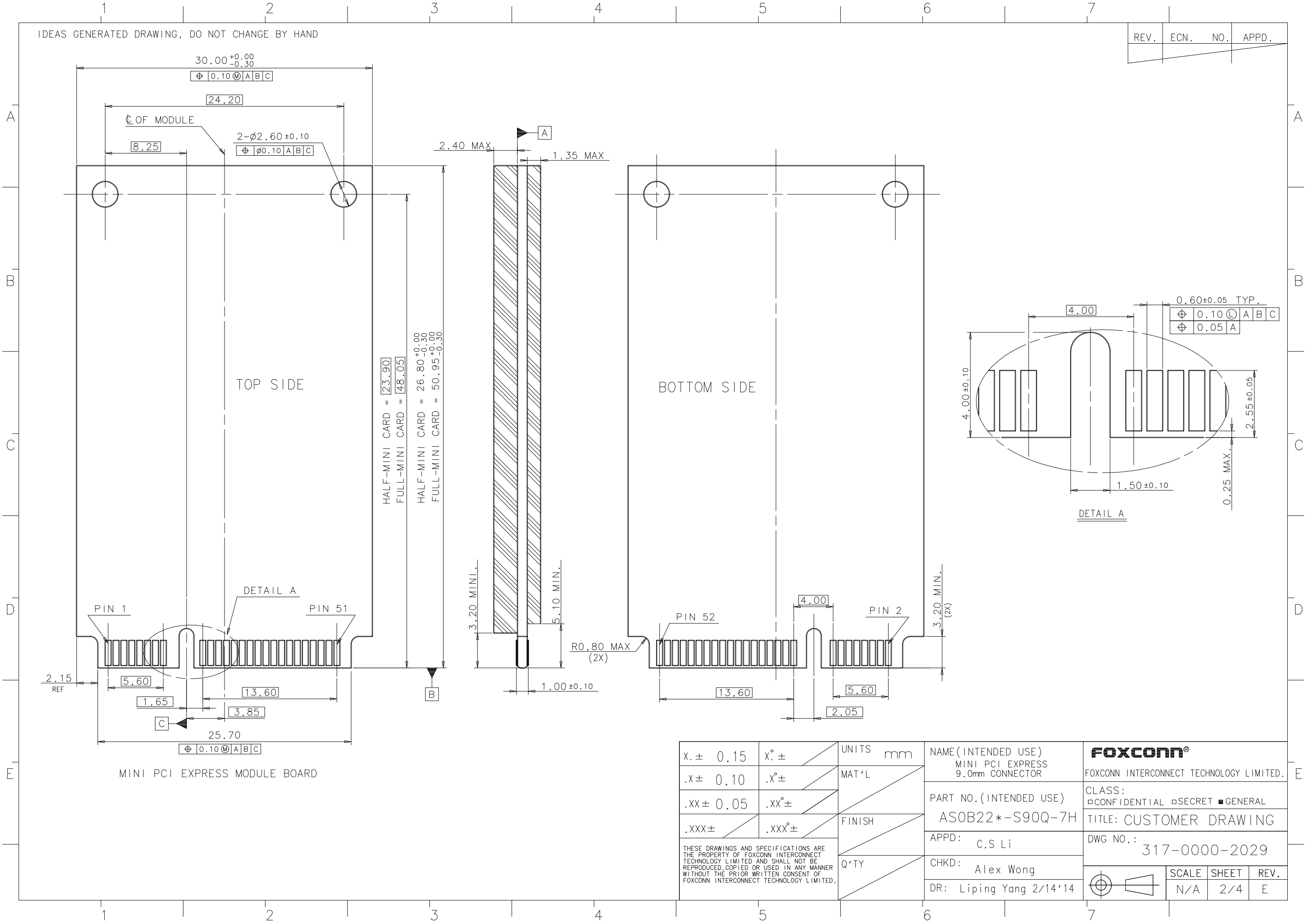
THESE DRAWINGS AND SPECIFICATIONS ARE THE PROPERTY OF FOXCONN INTERCONNECT TECHNOLOGY LIMITED AND SHALL NOT BE REPRODUCED, COPIED OR USED IN ANY MANNER WITHOUT THE PRIOR WRITTEN CONSENT OF FOXCONN INTERCONNECT TECHNOLOGY LIMITED.

| | |
|-------------------------|-------------------------------------|
| NAME (INTENDED USE) | MINI PCI EXPRESS 9.0mm CONNECTOR |
| PART NO. (INTENDED USE) | ASOB22*-S90Q-7H |
| APPD: | C.S Li |
| CHKD: | Alex Wong |
| DR: | Liping Yang 2/14'14 |

| | | |
|---|-------|------|
| FOXCONN® | | |
| FOXCONN INTERCONNECT TECHNOLOGY LIMITED. | | |
| CLASS: <input type="checkbox"/> CONFIDENTIAL <input type="checkbox"/> SECRET <input checked="" type="checkbox"/> GENERAL | | |
| TITLE: CUSTOMER DRAWING | | |
| DWG NO.: 317-0000-2029 | | |
| SCALE | SHEET | REV. |
| N/A | 1/4 | E |

IDEAS GENERATED DRAWING, DO NOT CHANGE BY HAND

| | | | |
|------|------|-----|-------|
| REV. | ECN. | NO. | APPD. |
| | | | |

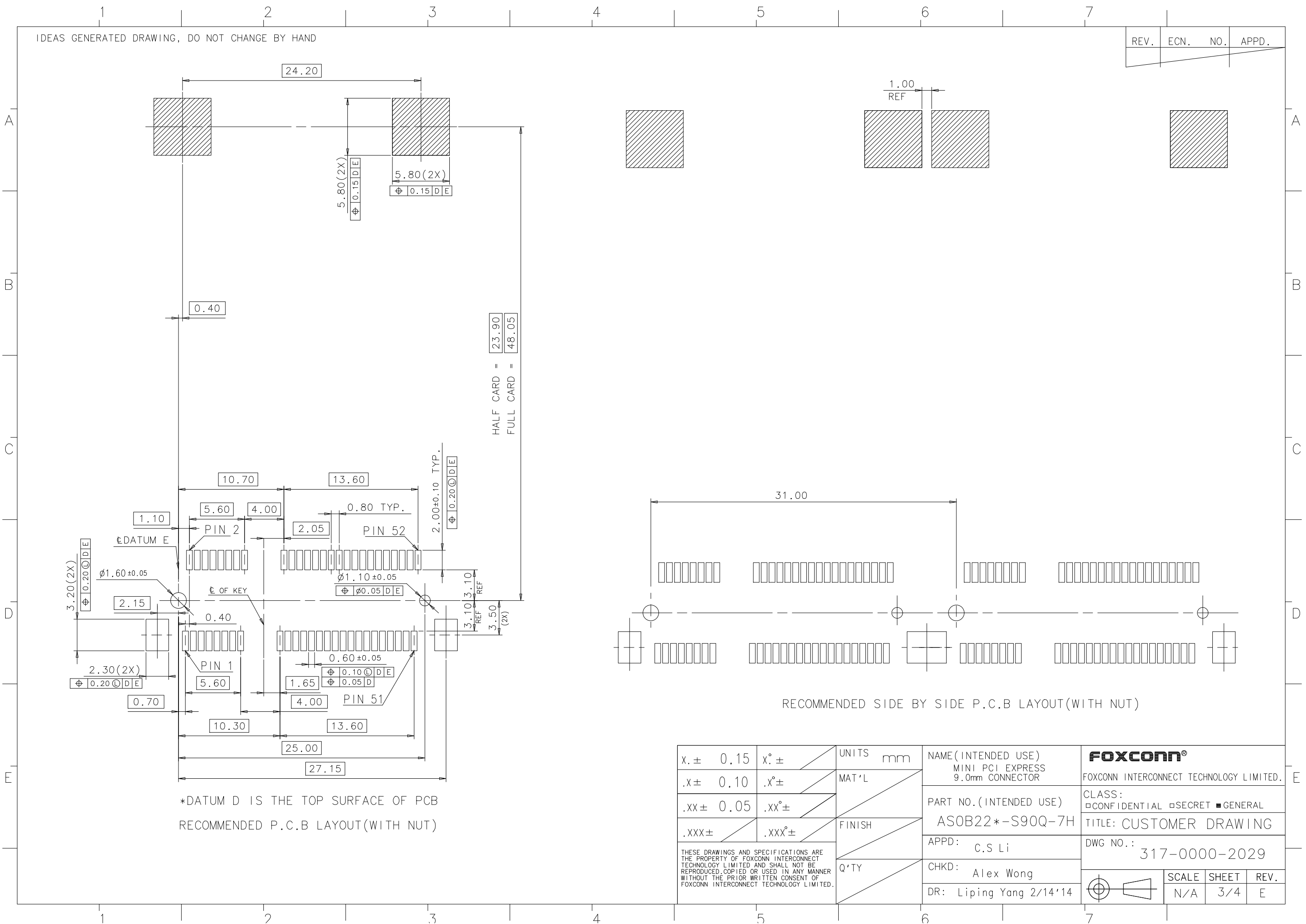


MINI PCI EXPRESS MODULE BOARD

| | | | | | |
|---|---------|--------|------|--|---|
| X. ± 0.15 | X° ± | UNITS | mm | NAME (INTENDED USE) MINI PCI EXPRESS 9.0mm CONNECTOR | FOXCONN® FOXCONN INTERCONNECT TECHNOLOGY LIMITED. |
| .X ± 0.10 | .X° ± | MAT'L | | | |
| .XX ± 0.05 | .XX° ± | FINISH | | PART NO. (INTENDED USE) AS0B22*-S90Q-7H | CLASS: <input type="checkbox"/> CONFIDENTIAL <input type="checkbox"/> SECRET <input checked="" type="checkbox"/> GENERAL |
| .XXX ± | .XXX° ± | | Q'TY | | APPD: C.S Li |
| THESE DRAWINGS AND SPECIFICATIONS ARE THE PROPERTY OF FOXCONN INTERCONNECT TECHNOLOGY LIMITED AND SHALL NOT BE REPRODUCED, COPIED OR USED IN ANY MANNER WITHOUT THE PRIOR WRITTEN CONSENT OF FOXCONN INTERCONNECT TECHNOLOGY LIMITED. | | | | CHKD: Alex Wong | DWG NO.: 317-0000-2029 |
| | | | | DR: Liping Yang 2/14'14 | SCALE SHEET REV. N/A 2/4 E |
| | | | | | |

IDEAS GENERATED DRAWING, DO NOT CHANGE BY HAND

| | | | |
|------|------|-----|-------|
| REV. | ECN. | NO. | APPD. |
| | | | |



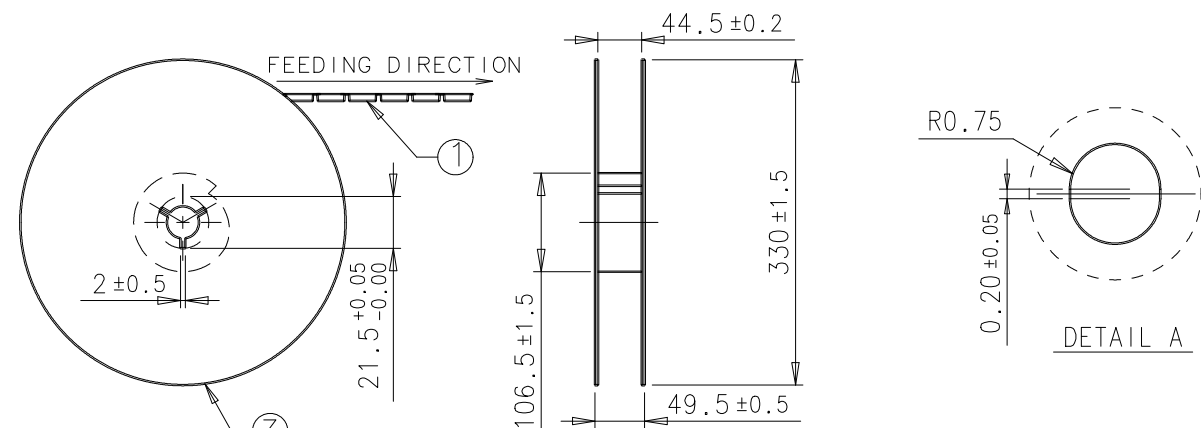
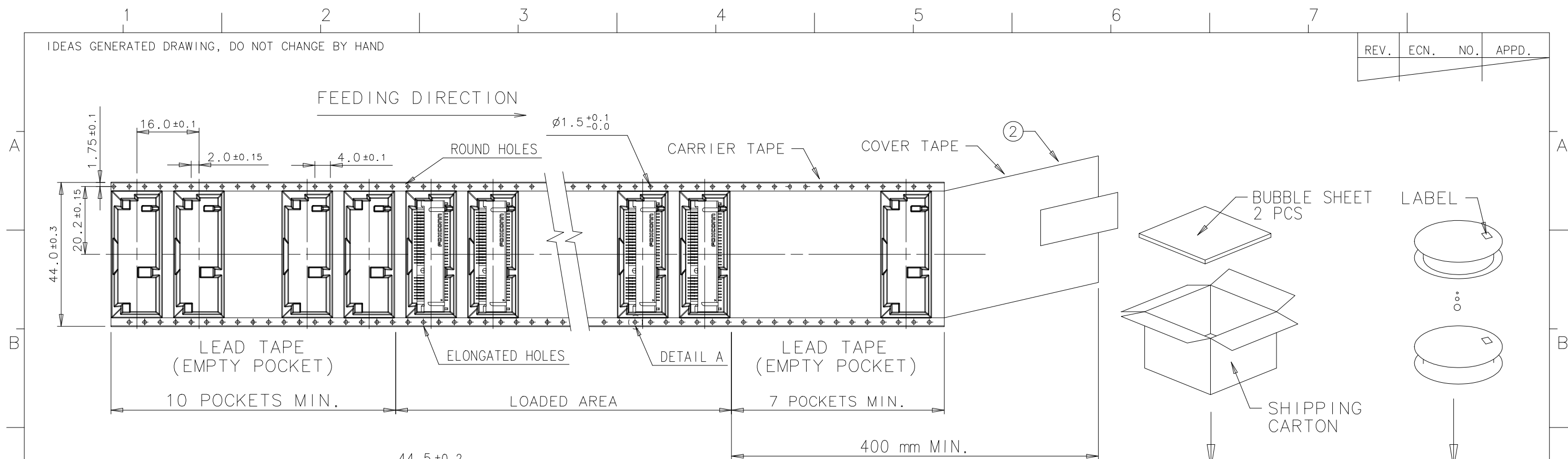
HALF CARD = 23.90
FULL CARD = 48.05

RECOMMENDED SIDE BY SIDE P.C.B LAYOUT(WITH NUT)

| | | | | | | | |
|---|---------|--------|------|--|---|-------|------|
| X. ± 0.15 | X° ± | UNITS | mm | NAME (INTENDED USE) MINI PCI EXPRESS 9.0mm CONNECTOR | FOXCONN® FOXCONN INTERCONNECT TECHNOLOGY LIMITED. | | |
| .X ± 0.10 | .X° ± | MAT'L | | | | | |
| .XX ± 0.05 | .XX° ± | FINISH | | PART NO. (INTENDED USE) ASOB22*-S90Q-7H | CLASS: <input type="checkbox"/> CONFIDENTIAL <input type="checkbox"/> SECRET <input checked="" type="checkbox"/> GENERAL | | |
| .XXX ± | .XXX° ± | | Q'TY | APPD: C.S Li | TITLE: CUSTOMER DRAWING | | |
| THESE DRAWINGS AND SPECIFICATIONS ARE THE PROPERTY OF FOXCONN INTERCONNECT TECHNOLOGY LIMITED AND SHALL NOT BE REPRODUCED, COPIED OR USED IN ANY MANNER WITHOUT THE PRIOR WRITTEN CONSENT OF FOXCONN INTERCONNECT TECHNOLOGY LIMITED. | | | | CHKD: Alex Wong | DWG NO.: 317-0000-2029 | | |
| | | | | DR: Liping Yang 2/14'14 | SCALE | SHEET | REV. |
| | | | | | N/A | 3/4 | E |

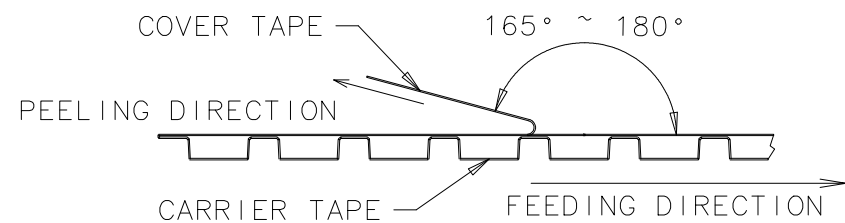
IDEAS GENERATED DRAWING, DO NOT CHANGE BY HAND

| | | | |
|------|------|-----|-------|
| REV. | ECN. | NO. | APPD. |
| | | | |

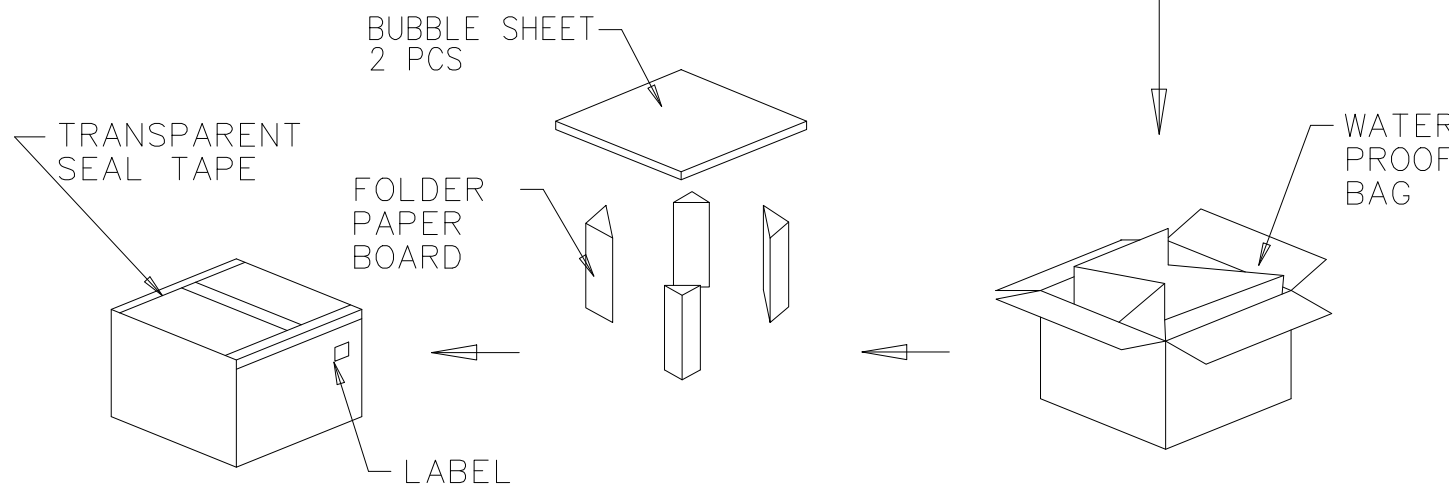


NOTES:

- 10 POCKETS HOLE PITCH CUMULATIVE TOLERANCE ±0.20mm.
- COVER TAPE PEELING STRENGTH : 0.01 kgf MIN & 0.13 kgf MAX. AT 300mm/min.



- PACKING CAPACITY : 240 PCS/REEL, 5 REELS/BOX, TOTAL 1200 PCS/BOX.



| | | |
|------|--------------|-------------|
| ③ | REEL | POLYSTYRENE |
| ② | COVER TAPE | POLYESTER |
| ① | CARRIER TAPE | POLYSTYRENE |
| ITEM | DESCRIPTION | MATERIAL |

| | | | | | | | |
|---|---------|--------|------|--|---|-------|------|
| x. ± 0.15 | x° ± | UNITS | mm | NAME (INTENDED USE) MINI PCI EXPRESS 9.0mm CONNECTOR | FOXCONN® FOXCONN INTERCONNECT TECHNOLOGY LIMITED. | | |
| .x ± 0.10 | .x° ± | MAT'L | | | | | |
| .xx ± 0.05 | .xx° ± | FINISH | | PART NO. (INTENDED USE) AS0B22*-S90Q-7H | CLASS: <input type="checkbox"/> CONFIDENTIAL <input type="checkbox"/> SECRET <input checked="" type="checkbox"/> GENERAL | | |
| .xxx ± | .xxx° ± | | Q'TY | APPD: C.S Li | TITLE: CUSTOMER DRAWING | | |
| THESE DRAWINGS AND SPECIFICATIONS ARE THE PROPERTY OF FOXCONN INTERCONNECT TECHNOLOGY LIMITED AND SHALL NOT BE REPRODUCED, COPIED OR USED IN ANY MANNER WITHOUT THE PRIOR WRITTEN CONSENT OF FOXCONN INTERCONNECT TECHNOLOGY LIMITED. | | | | CHKD: Alex Wong | DWG NO.: 317-0000-2029 | | |
| | | | | DR: Liping Yang 2/14'14 | SCALE | SHEET | REV. |
| | | | | | N/A | 4/4 | E |

X-ON Electronics

Largest Supplier of Electrical and Electronic Components

Click to view similar products for [Foxconn](#) manufacturer:

Other Similar products are found below :

[AS0A821-H2RB-7H](#) [PE41897-01NK5-1H](#) [JFM3811J-G140-4F](#) [QT012206-1031-2H](#) [UC11123-11KB-4F](#) [UEA11123-8EZ3-4H](#) [2EG04927-D2LN-DF](#) [SJ05201-A0](#) [UEA11123-QHD6-4H](#) [UB1112C-8FDE-4F](#) [3H993321-4M41-01H](#) [ATF5883-A2B30-2F](#) [ATF5883-A2B20-2F](#) [WNMBL60-1NNK0-EH](#) [WNMBP06-01NK0-EH](#) [HM3505E-P1](#) [AH58897-T2B20-3F](#) [DZ11AA1-H5A7-4F](#) [ASAA821-H4SB5-7H](#) [PE36473-01NK3-1H](#) [PE36473-01NK4-1H](#) [QH11121-DBT1-4F](#) [BBH1231-C1000-7H](#) [ATH4017-H3B-4F](#) [3S1020F3-AD4-4F](#) [2EF5B57-DA9DN-5F](#) [UEA01123-4FH1-4H](#) [2EM5407-B19BL-8F](#) [LU11683-B007-9H](#) [HB3106F](#) [LDH2363-33N20-7H](#) [ATH4017-H9LE-4F](#) [UEA1112C-UHS6-4F](#) [2EF5497-DA9DB-8H](#) [LDP2683-13A50-9H](#) [JPD1030-M301-7F](#) [2E0BC21-S64BM-7H](#) [2EZ00161-PH2-4F](#) [HC11051-D4](#) [LD1807F-S54TD](#) [2EG24927-D5D1-JF](#) [ASOB226-S52Q-7H](#) [AS0A626-HASN-7H](#) [HF5504E-P1LH](#) [JA634C-40ADA5B-7H](#) [AS0A621-H2R6-7H](#) [QT002206-4131-3H](#) [JFM24U11-21C3-4F](#) [EH06003-DAW-DF](#) [AS0B221-S52Q-7H](#)