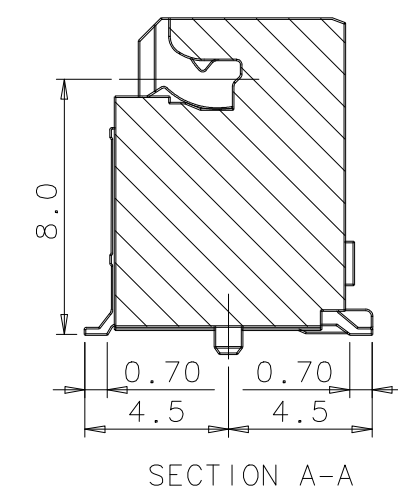
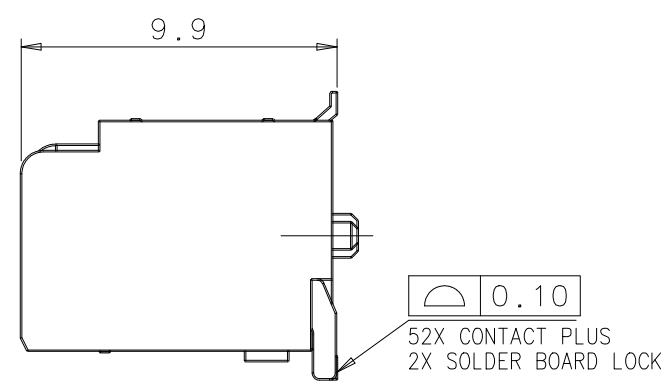


NOTES:

1. ELECTRICAL CHARACTERISTICS :
 - 1.1 CONTACT CURRENT RATING : 0.5 AMPERE MAX. PER PIN.
DOESN'T EXCEED 30°C ABOVE AMBIENT AT 0.5 AMPERE MAX. PER PIN.
 - 1.2 VOLTAGE RATING 50V AC.
 - 1.3 INSULATION RESISTANCE : 500 MEGAOHMS. MIN. AT 500V DC.
 - 1.4 DIELECTRIC WITHSTANDING VOLTAGE: 300V AC RMS AT 60Hz, FOR 1 MINUTE.
 - 1.5 CONTACT RESISTANCE: 55 MILLIOHMS MAX. PER PIN INITIAL,
 $\Delta R=20$ MILLIOHMS MAX. PER PIN AFTER FULL ENVIRONMENTAL TESTING.
2. MECHANICAL CHARACTERISTICS : DURABILITY : 50 MATING CYCLES.
3. OPERATION TEMPERATURE : -40°C TO +80°C
4. PLEASE CONTACT FOXCONN SALES REPRESENTATIVE TO VERIFY PRODUCT DETAILS & AVAILABILITY.

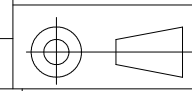
PART NO. DESCRIPTION: A S 0 B2 2 * - S 99 Q-7 H

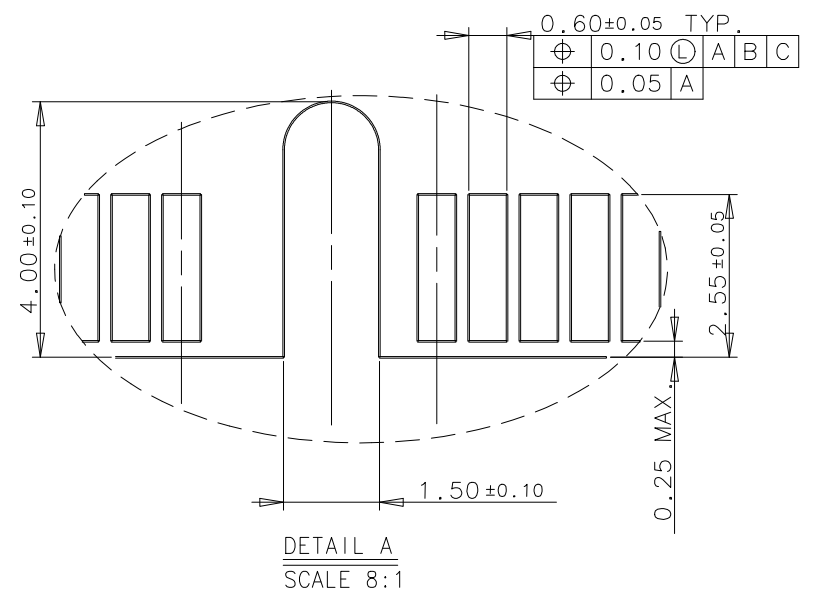
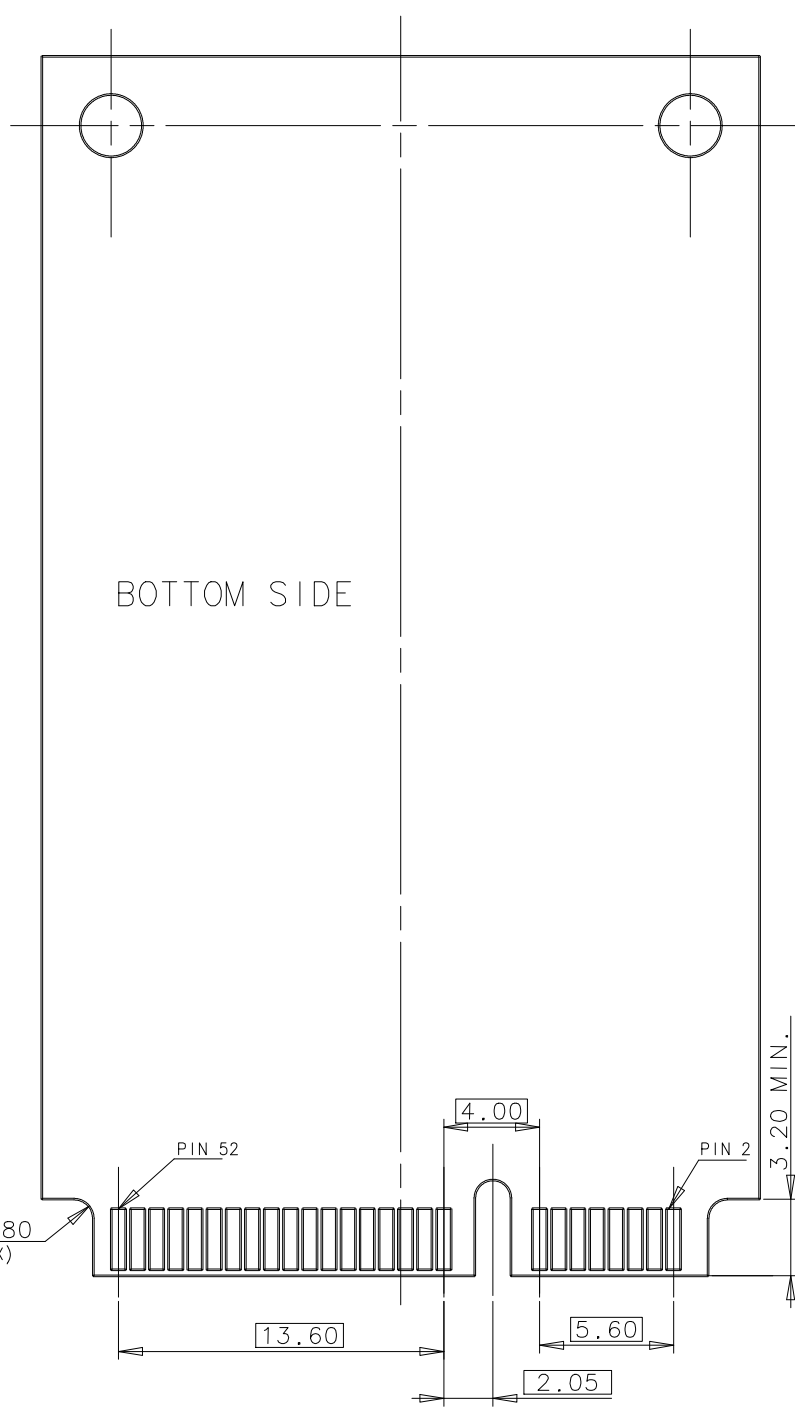
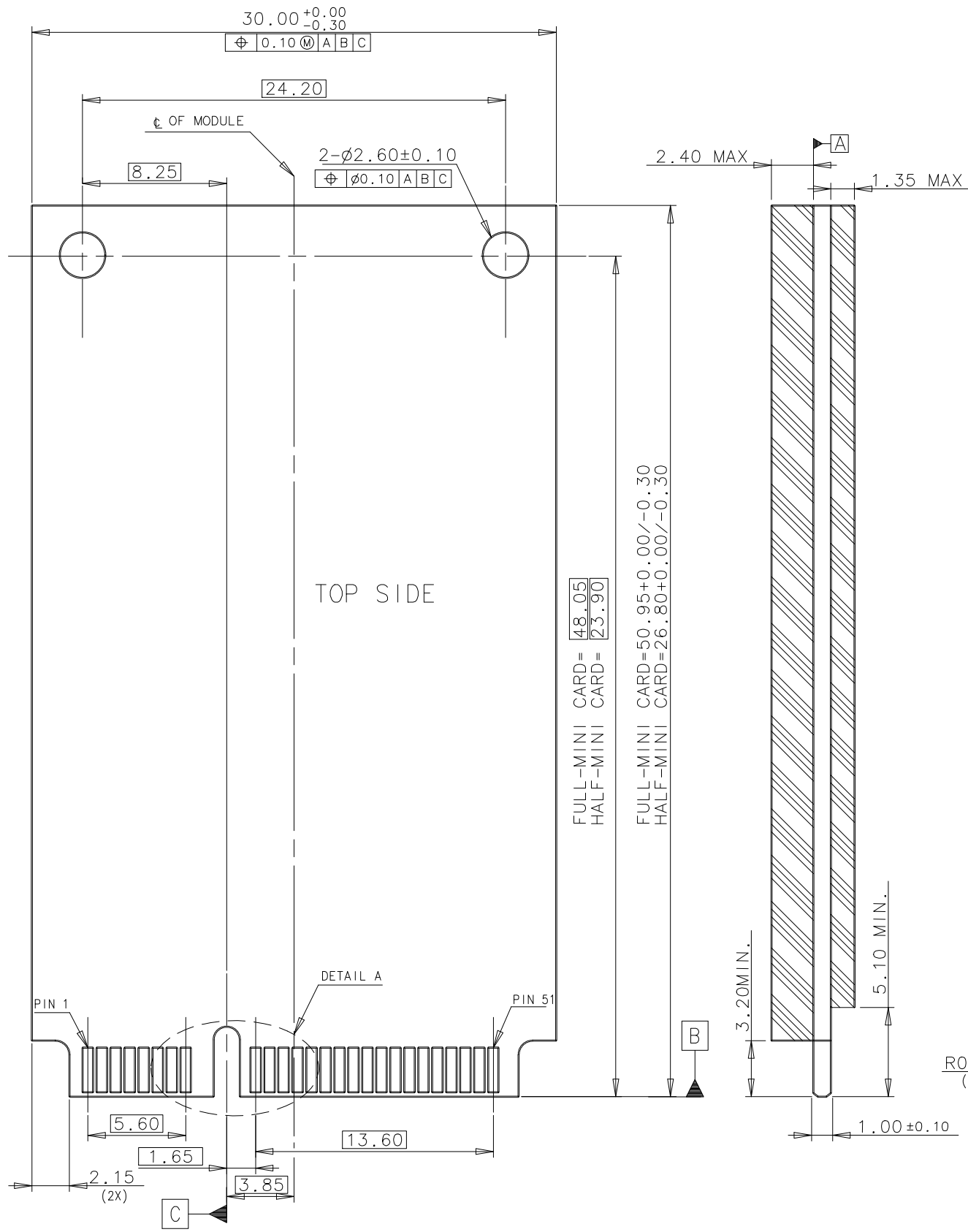
MEMORY MODULE SOCKET	A	H=HALOGEN/LEAD FREE
HORIZONTAL TYPE	S	7=TAPE&REEL
SINGLE ROW	0	Q=GENERAL TYPE
NO. OF POS.	B2	99=9.9mm HEIGHT
B2= 52 POS.	2	STANDARD TYPE
SMT	*	
CONTACT AREA PLATING	-	
1=GOLD FLASH	S	
6=10u" GOLD PLATING	99	
	Q-7	
	H	



ITEM	DESCRIPTION	Q'TY	MATERIAL	TREATMENT
③	BOARD LOCK	2	COPPER ALLOY	50u" NICKEL UNDER PLATING 50u" MATTE TIN PLATING OVER ALL
②	CONTACT	52	COPPER ALLOY	50u" NICKEL UNDER PLATING GOLD FLASH PLATING AT TAIL 10u" GOLD PLATING OR GOLD FLASH AT CONTACT AREA
①	HOUSING	1	THERMOPLASTIC	UL94V-0, IVORY COLOR

X. ± 0.30	X° ± 2°	UNITS	mm	NAME (INTENDED USE)	FOXCONN HON HAI PRECISION IND. CO., LTD. TAIPEI, TAIWAN, R.O.C.
.X ± 0.25	.X° ± 1°	MAT'L		MINI PCI EXPRESS CONNECTOR	
.XX ± 0.15	.XX° ±	FINISH		PART NO. (INTENDED USE)	TITLE:
.XXX ±	.XXX° ±	Q'TY		ASOB22*-S99Q-7H	CUSTOMER DRAWING
				APPD: Herry Yang	DWG NO.:
				CHKD: Alex Wong	317-0000-2032
				DR: GD Zhang 12/27'10	SCALE
					SHEET
					REV.
					N/A
					1/4
					A



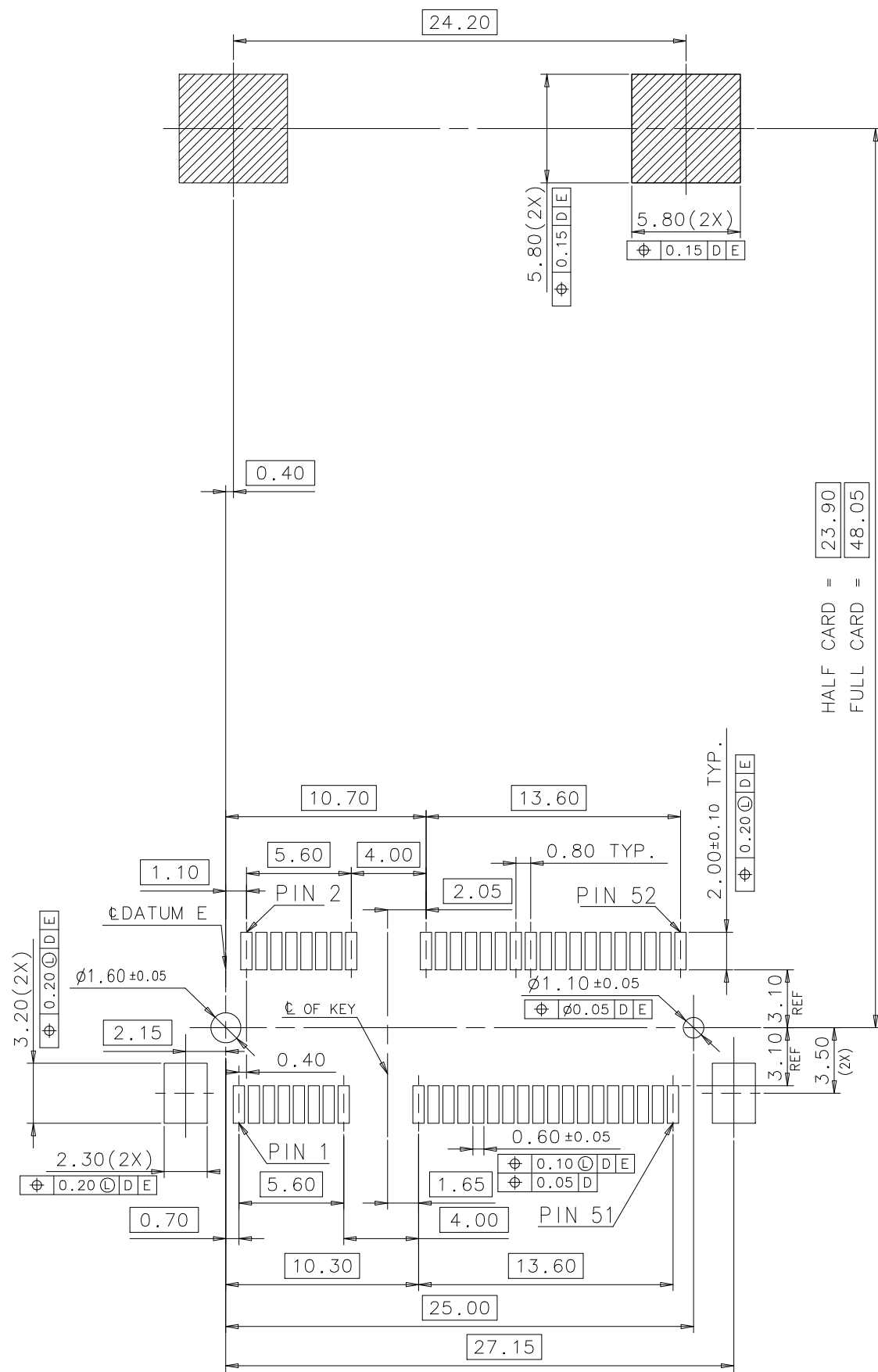


MINI PCI EXPRESS MODULE BOARD LAYOUT

X. ± 0.30	X° ± 2°	UNITS	mm	NAME (INTENDED USE)	FOXCONN HON HAI PRECISION IND. CO., LTD. TAIPEI, TAIWAN, R.O.C.	
.X ± 0.25	.X° ± 1°	MAT'L		MINI PCI EXPRESS CONNECTOR		
.XX ± 0.15	.XX° ±	FINISH		PART NO. (INTENDED USE)	TITLE:	
.XXX ±	.XXX° ±	Q'TY		ASOB22*-S99Q-7H	CUSTOMER DRAWING	
THESE DRAWINGS AND SPECIFICATIONS ARE THE PROPERTY OF HON HAI PRECISION IND. CO., LTD. AND SHALL NOT BE REPRODUCED, COPIED OR USED IN ANY MANNER WITHOUT THE PRIOR WRITTEN CONSENT OF HON HAI PRECISION IND. CO., LTD.				APPD: Herry Yang	DWG NO.:	
				CHKD: Alex Wong	317-0000-2032	
				DR: GD Zhang 12/27'10		
				SCALE	SHEET	REV.
				N/A	2/4	A

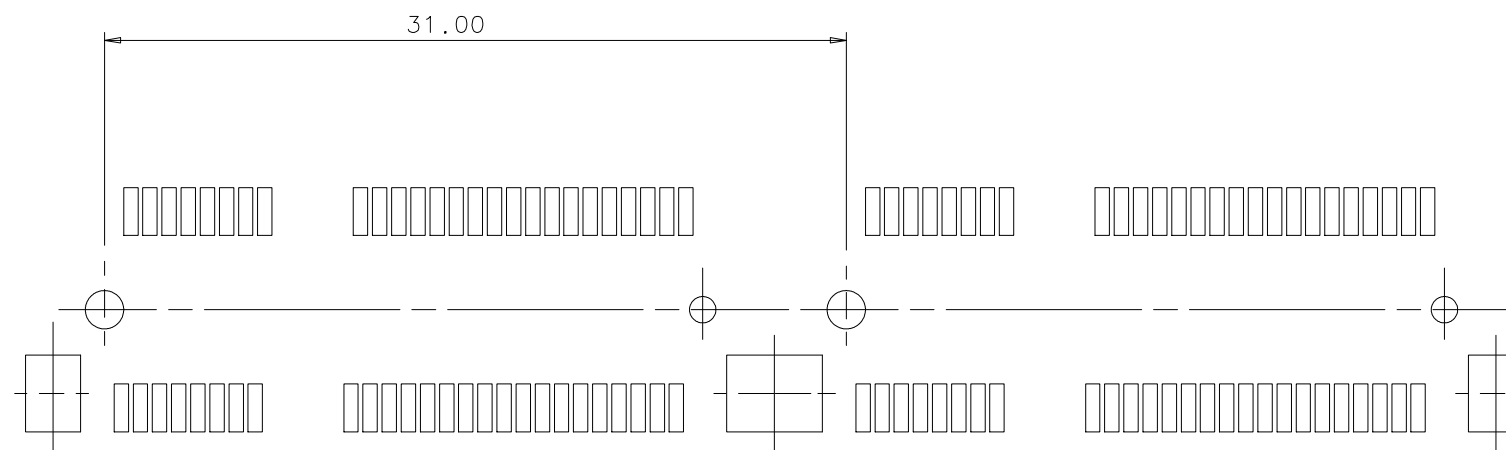
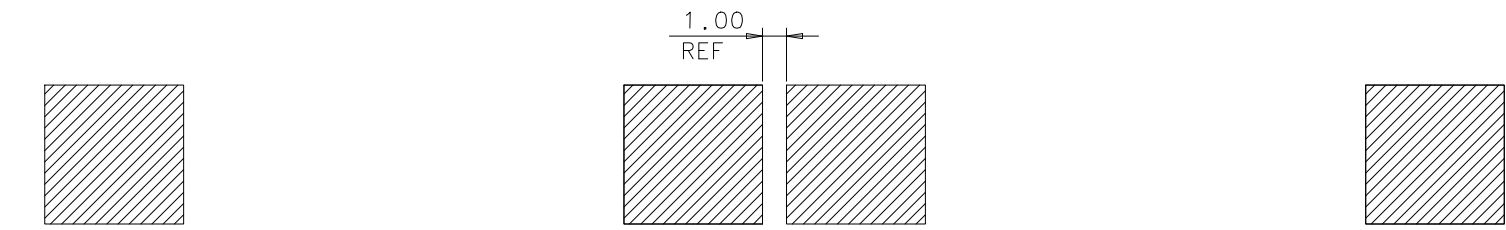
IDEAS GENERATED DRAWING, DO NOT CHANGE BY HAND

REV.	ECN.	NO.	APPD.
------	------	-----	-------



*DATUM D IS THE TOP SURFACE OF PCB
RECOMMENDED P.C.B LAYOUT(WITH NUT)

HALF CARD = 23.90
FULL CARD = 48.05



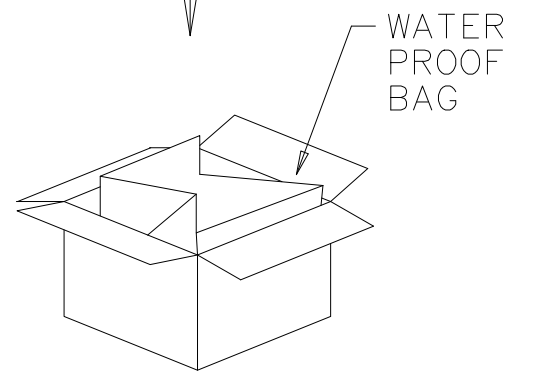
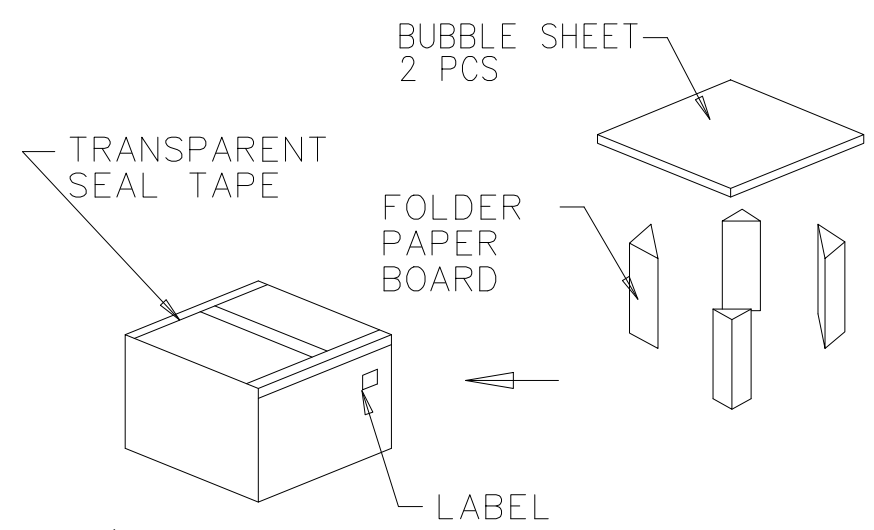
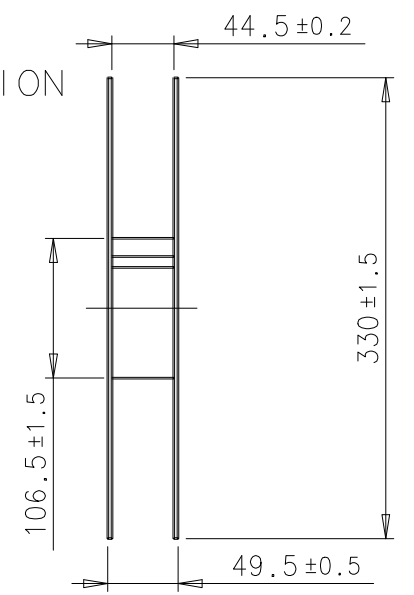
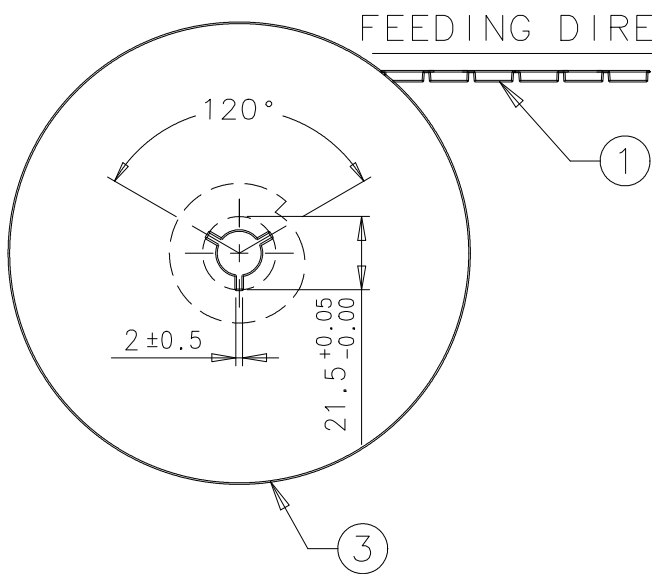
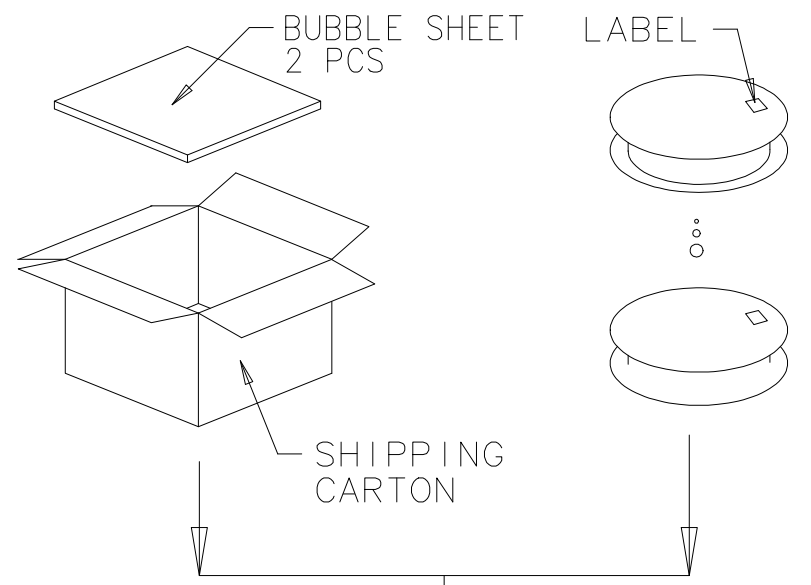
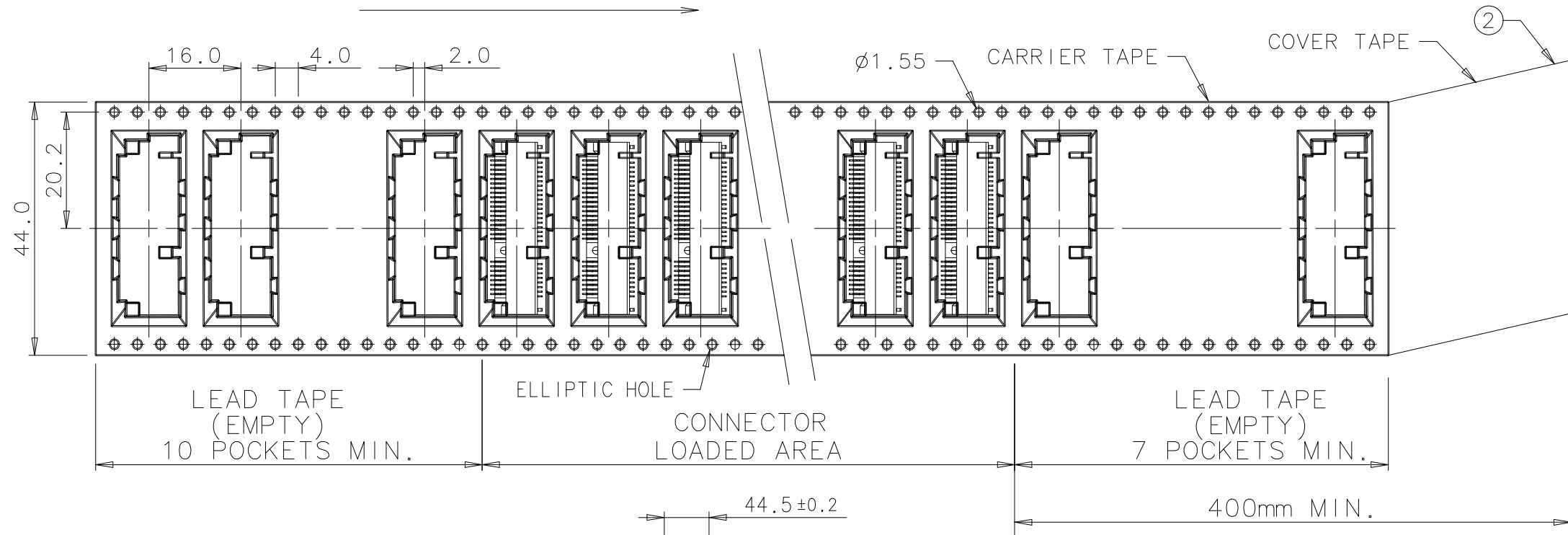
RECOMMENFED SIDE BY SIDE P.C.B LAYOUT(WITH NUT)

x. ± 0.15	x°. ±	UNITS	mm	NAME (INTENDED USE)	FOXCONN HON HAI PRECISION IND. CO., LTD. TAIPEI, TAIWAN, R.O.C.	
.x ± 0.10	.x°. ±	MAT'L		MINI PCI EXPRESS CONNECTOR		
.xx ± 0.05	.xx°. ±	FINISH		PART NO. (INTENDED USE)	TITLE:	
.xxx ±	.xxx°. ±	Q'TY		AS0B22*-S99Q-7H	CUSTOMER DRAWING	
THESE DRAWINGS AND SPECIFICATIONS ARE THE PROPERTY OF HON HAI PRECISION IND. CO., LTD. AND SHALL NOT BE REPRODUCED, COPIED OR USED IN ANY MANNER WITHOUT THE PRIOR WRITTEN CONSENT OF HON HAI PRECISION IND. CO., LTD.				APPD: Herry Yang	DWG NO.:	
				CHKD: Alex Wong	317-0000-2032	
				DR: GD Zhang 12/27'10		
				SCALE	SHEET	REV.
				N/A	3/4	A

IDEAS GENERATED DRAWING, DO NOT CHANGE BY HAND

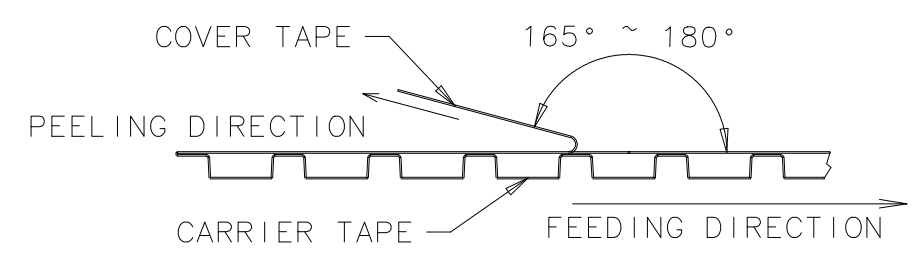
REV.	ECN.	NO.	APPD.

FEEDING DIRECTION



NOTES:

- 10 POCKETS HOLE PITCH CUMULATIVE TOLERANCE $\pm 0.20\text{mm}$.
- COVER TAPE PEELING STRENGTH : 0.01 Kgf MIN & 0.13 Kgf MAX. AT 300mm/min.



- PACKING CAPACITY : 240 PCS/REEL, 5 REELS/BOX, TOTAL 1200 PCS/BOX.

③	REEL	POLYSTYRENE
②	COVER TAPE	POLYSTER
①	CARRIER TAPE	POLYSTYRENE
ITEM	DESCRIPTION	MATERIAL

x. ± 0.30	x° ±	UNITS mm	NAME (INTENDED USE)	FOXCONN HON HAI PRECISION IND. CO., LTD. TAIPEI, TAIWAN, R.O.C.
.x ± 0.25	.x° ±		MINI PCI EXPRESS CONNECTOR	
.xx ± 0.15	.xx° ±	MAT'L	PART NO. (INTENDED USE)	TITLE:
.xxx ±	.xxx° ±		ASOB22*-S99Q-7H	CUSTOMER DRAWING
THESE DRAWINGS AND SPECIFICATIONS ARE THE PROPERTY OF HON HAI PRECISION IND. CO., LTD. AND SHALL NOT BE REPRODUCED, COPIED OR USED IN ANY MANNER WITHOUT THE PRIOR WRITTEN CONSENT OF HON HAI PRECISION IND. CO., LTD.			APPD: Herry Yang	DWG NO.:
			CHKD: Alex Wong	317-0000-2032
			DR: GD Zhang 12/27'10	SCALE
				SHEET
				REV.
				N/A
				4/4
				A

CONNECTOR P/N	ASOB22*-S99Q-7H
---------------	-----------------

X-ON Electronics

Largest Supplier of Electrical and Electronic Components

Click to view similar products for [Standard Card Edge Connectors](#) category:

Click to view products by [Foxconn](#) manufacturer:

Other Similar products are found below :

[6565204-6](#) [PKC-156](#) [1437274-4](#) [147889-1](#) [1489165-4](#) [EBT156-12B1X](#) [EBT15622B2X](#) [EBT156-22R2W](#) [1-582587-1](#) [1-582589-1](#) [2-6437275-9](#) [284-0102-12100](#) [306022901000000](#) [307-012-502-202](#) [307-024-526-201](#) [307-056-520-300](#) [307-080-526-208](#) [1926088-2](#) [245-062-520-350](#) [287-0032-12101](#) [306-010-500-112](#) [306-028-525-102](#) [306-240-318](#) [307-036-502-202](#) [307-036-521-301](#) [307-072-526-202](#) [345-060-559-303](#) [368-004-520-201](#) [392-008-559-201](#) [534671-1](#) [5-530501-5](#) [341-240-317](#) [345-029-520-300](#) [345-030-500-301](#) [345-044-500-300](#) [345-220-058](#) [346-240-318](#) [387-012-523-300](#) [395-044-520-300](#) [395-100-524-300](#) [50-12B-10](#) [50-6SN-5](#) [09-07-2032](#) [10035388-106LF](#) [10035388-802LF](#) [10115859-011LF](#) [10122859-009LF](#) [101269333204245CLF](#) [10127905-B04B24BLF](#) [530555-1](#)