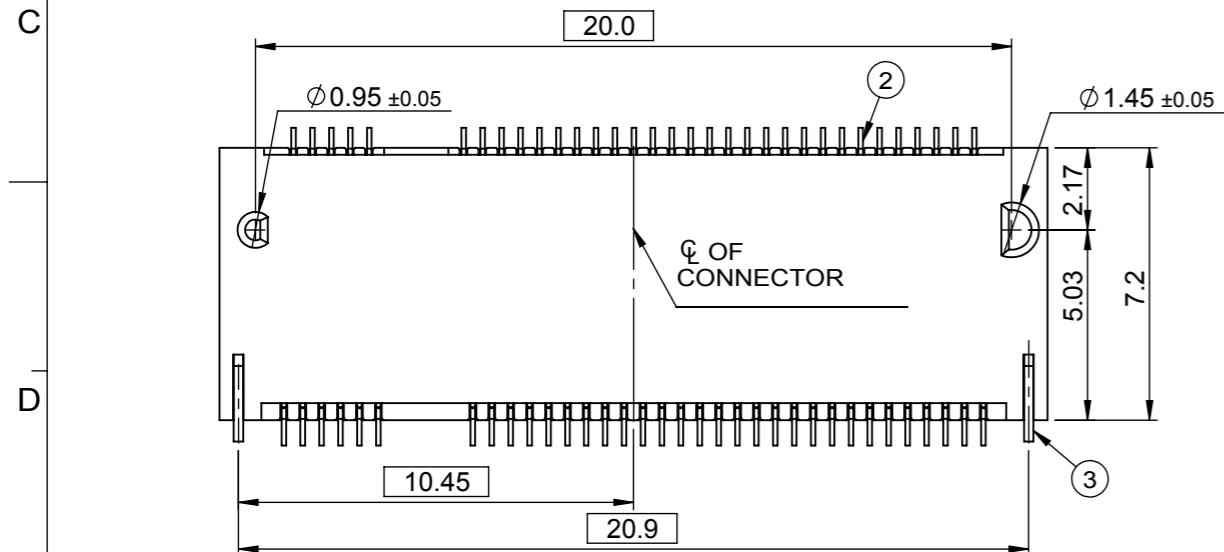
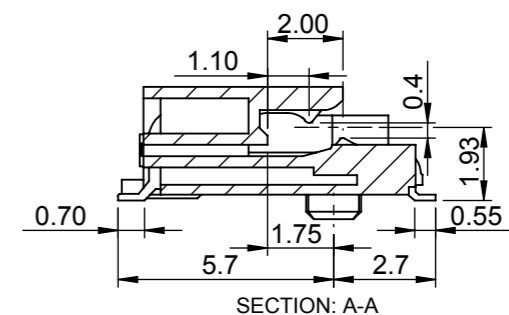
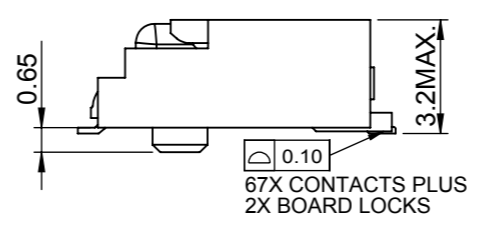
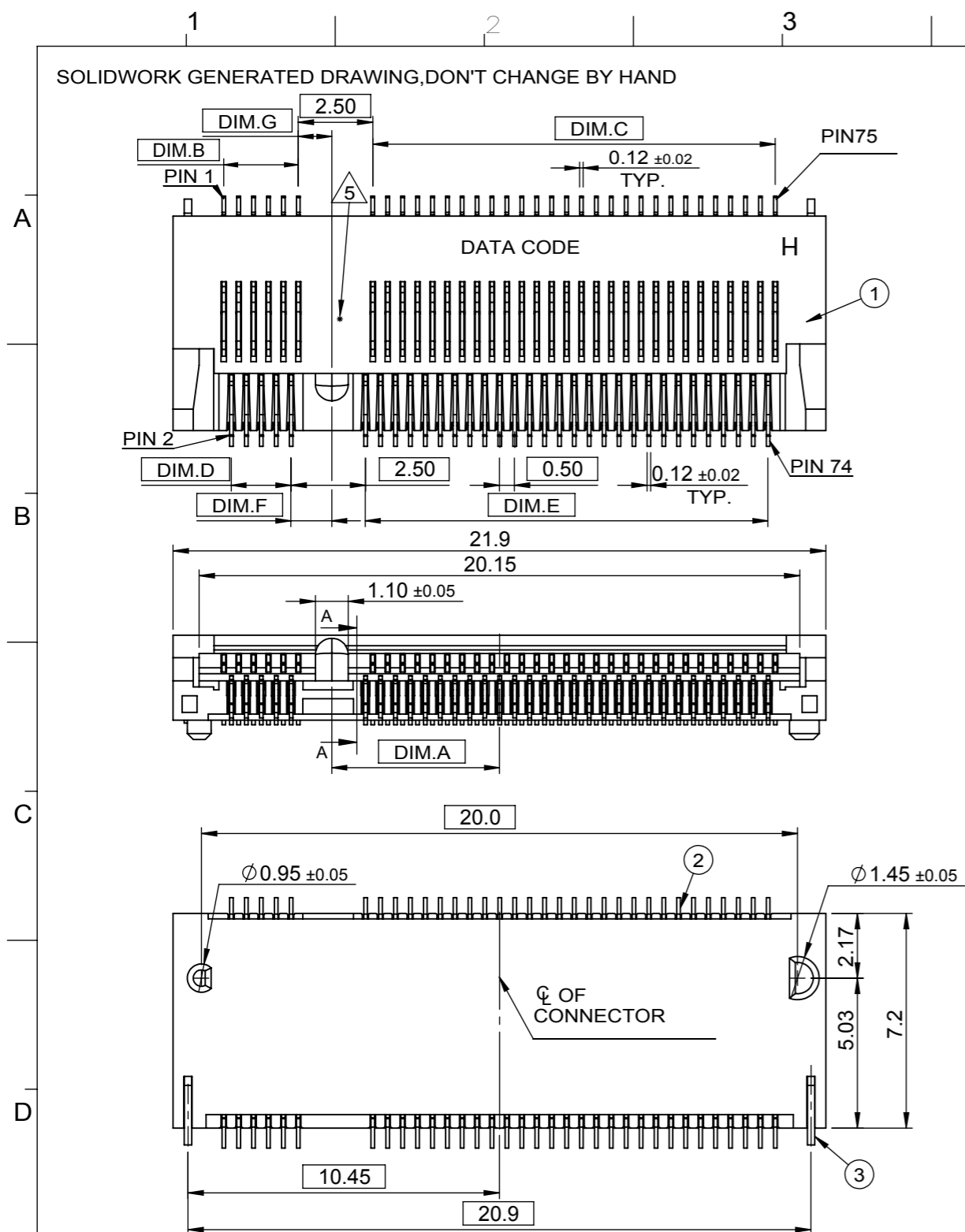


SOLIDWORK GENERATED DRAWING, DON'T CHANGE BY HAND

| REV. | ECN. NO. | APPD. |
|------|---------------|----------|
| A | BC-12-0064384 | Bruce Wu |
| B | BC-12-0079540 | Bruce Wu |
| C | BC-13-0006035 | C.S Li |

NOTES:

- ELECTRICAL CHARACTERISTICS:
 - CONTACT CURRENT RATING: 0.5 AMPERE MAX. PER PIN.
 - VOLTAGE RATING: 50V AC.
 - INSULATION RESISTANCE :500 MEGAOHMS MIN. AT 500V DC.
 - DIELECTRIC WITHSTANDING VOLTAGE: 300V AC RMS AT 60Hz, FOR 1 MINUTE.
 - CONTACT RESISTANCE: 55 MILLIOHMS MAX. PER PIN INITIAL.
 $\Delta R=20$ MILLIOHMS MAX. PER PIN AFTER FULL ENVIRONMENT TESTING.
- MECHANICAL CHARACTERISTICS: DURABILITY: 60 MATING CYCLES.
- OPERATION TEMPERATURE: -40 °C TO +80 °C.
- PLEASE CONTACT FOXCONN SALES REPRESENTATIVE TO VERIFY PRODUCT DETAIL & AVAILABILITY.
- KEY LABEL "*" IS A CAPITAL LETTER PER THE PART NO.
- RECOMMENDED PROCESS CONDITION: SMT, PEAK TEMPERATURE: 260 °C, 10~20S.



| KEY NAME | DIM.A | DIM.B | DIM.C | DIM.D | DIM.E | DIM.F | DIM.G | P/N |
|----------|--------|-------|-------|-------|-------|-------|-------|------------------|
| KEY M | -6.125 | 14.0 | 2.0 | 14.0 | 1.5 | 1.125 | 1.375 | AS0BC2*-S30BM-7H |
| KEY L | -5.125 | 13.0 | 3.0 | 13.0 | 2.5 | 1.125 | 1.375 | AS0BC2*-S30BL-7H |
| KEY K | -4.125 | 12.0 | 4.0 | 12.0 | 3.5 | 1.125 | 1.375 | AS0BC2*-S30BK-7H |
| KEY J | -3.125 | 11.0 | 5.0 | 11.0 | 4.5 | 1.125 | 1.375 | AS0BC2*-S30BJ-7H |
| KEY H | -2.125 | 10.0 | 6.0 | 10.0 | 5.5 | 1.125 | 1.375 | AS0BC2*-S30BH-7H |
| KEY G | -1.125 | 9.0 | 7.0 | 9.0 | 6.5 | 1.125 | 1.375 | AS0BC2*-S30BG-7H |
| KEY F | 1.625 | 6.5 | 9.5 | 6.0 | 9.5 | 1.375 | 1.125 | AS0BC2*-S30BF-7H |
| KEY E | 2.625 | 5.5 | 10.5 | 5.0 | 10.5 | 1.375 | 1.125 | AS0BC2*-S30BE-7H |
| KEY D | 3.625 | 4.5 | 11.5 | 4.0 | 11.5 | 1.375 | 1.125 | AS0BC2*-S30BD-7H |
| KEY C | 4.625 | 3.5 | 12.5 | 3.0 | 12.5 | 1.375 | 1.125 | AS0BC2*-S30BC-7H |
| KEY B | 5.625 | 2.5 | 13.5 | 2.0 | 13.5 | 1.375 | 1.125 | AS0BC2*-S30BB-7H |
| KEY A | 6.625 | 1.5 | 14.5 | 1.0 | 14.5 | 1.375 | 1.125 | AS0BC2*-S30BA-7H |

| ITEM | DESCRIPTION | MATERIAL | Q'TY | TREATMENT |
|------|-------------|-----------------|------|---|
| ③ | BOARD LOCK | STAINLESS STEEL | 2 | 10u" NICKEL UNDER PLATING 100u" MATTE TIN PLATING OVER ALL |
| ② | CONTACT | COPPER ALLOY | 67 | 50u" NICKEL UNDER PLATING GOLD FLASH PLATING AT TAIL AREA 10u" GOLD PLATING OR GOLD FLASH AT CONTACT AREA |
| ① | HOUSING | THERMOPLASTIC | 1 | UL94V-0, HALOGEN FREE, BLACK COLOR |

PART NO. DIRECTION: A S 0 BC 2 * - S 30 B * - 7 H

MEMORY MODULE SOCKET

HORIZONTAL TYPE

SINGLE ROW

BC=0.5P NGFF

SMT

CONTACT AREA PLATING
1=GOLD FLASH
6=10u" GOLD PLATING

H=HALOGEN/LEAD FREE

7=TAPE&REEL

KEY NAME

B=BLACK COLOR

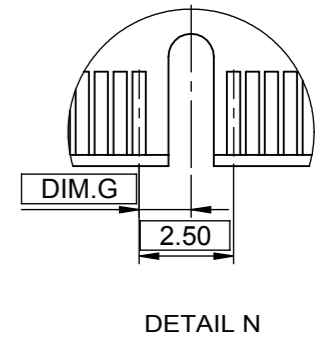
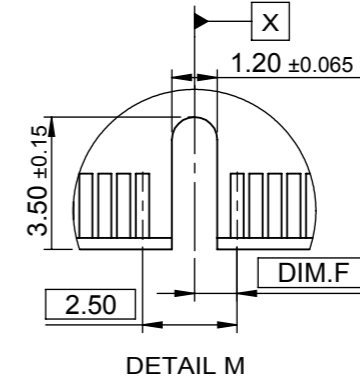
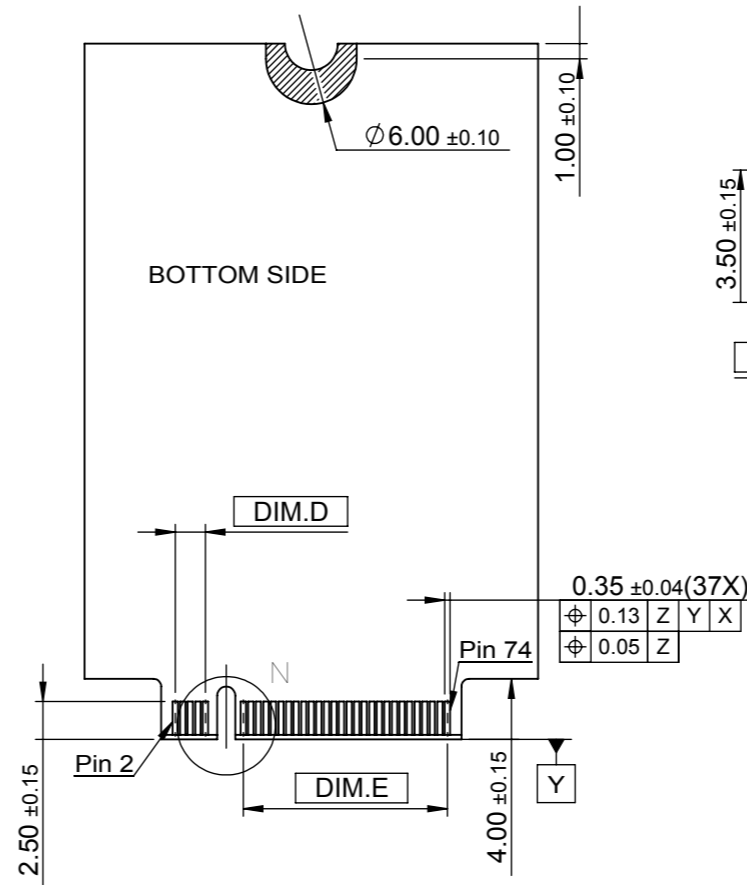
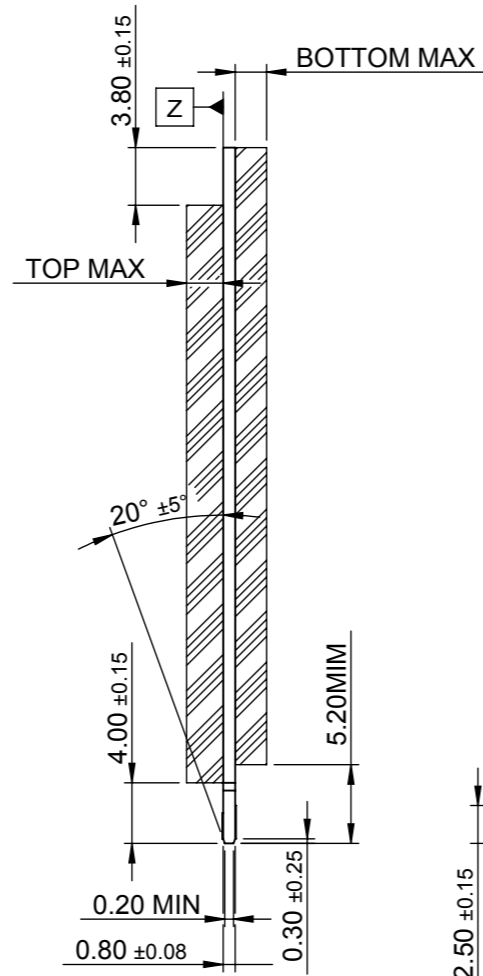
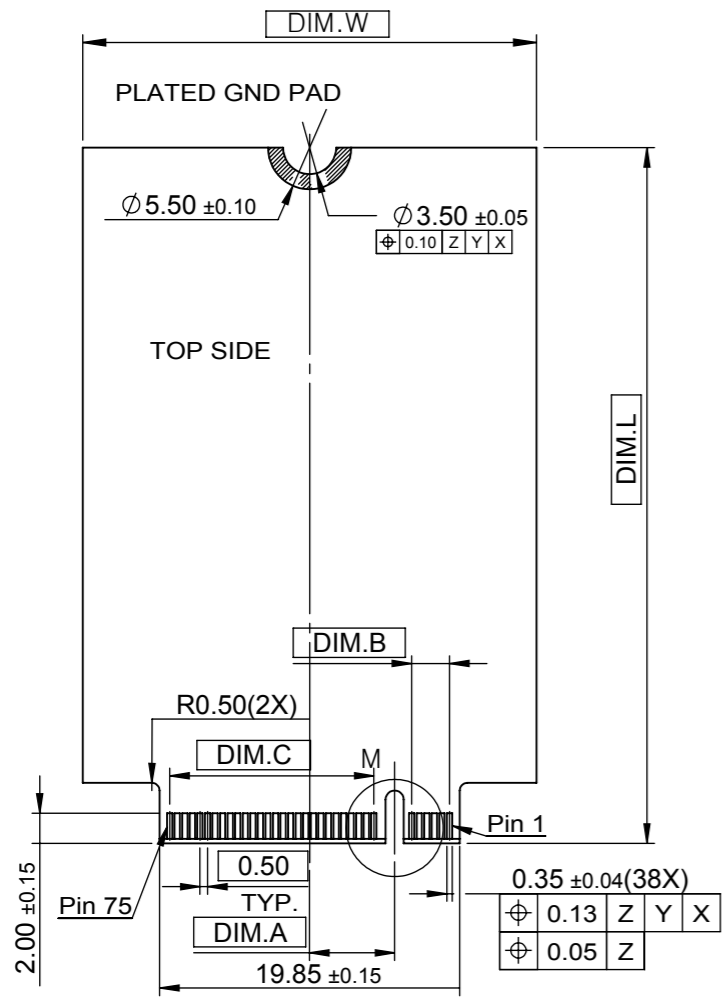
30=3.0mm HEIGHT

STANDARD TYPE

| UNITS | mm | NAME (INTENDED USE) | FOXCONN |
|--|----------|-------------------------|--|
| x. ± 0.30 | x° ± 2° | NGFF CONNECTOR | HON HAI PRECISION IND. CO., LTD. TAIPEI, TAIWAN, R.O.C. |
| .x ± 0.25 | .x° ± 1° | PART NO. (INTENDED USE) | TITLE: |
| .xx ± 0.15 | .xx° ± | AS0BC2*-S30B*-7H | CUSTOMER DRAWING |
| .xxx ± | .xxx° ± | APPD: C.S Li | DWG NO.: |
| THESE DRAWINGS AND SPECIFICATIONS ARE THE PROPERTY OF HON HAI PRECISION IND. CO., LTD. AND SHALL NOT BE REPRODUCED, COPIED OR USED IN ANY MANNER WITHOUT THE PRIOR WRITTEN CONSENT OF HON HAI PRECISION IND. CO., LTD. | | CHKD: Alex Wang | 317-0000-2149 |
| | | DR: FL LIU 2013/1/21 | SCALE SHEET REV. |
| | | | N/A 1/4 C |

SOLIDWORK GENERATED DRAWING, DON'T CHANGE BY HAND

FCN NO. APPD



TYPE XX XX-XX-X

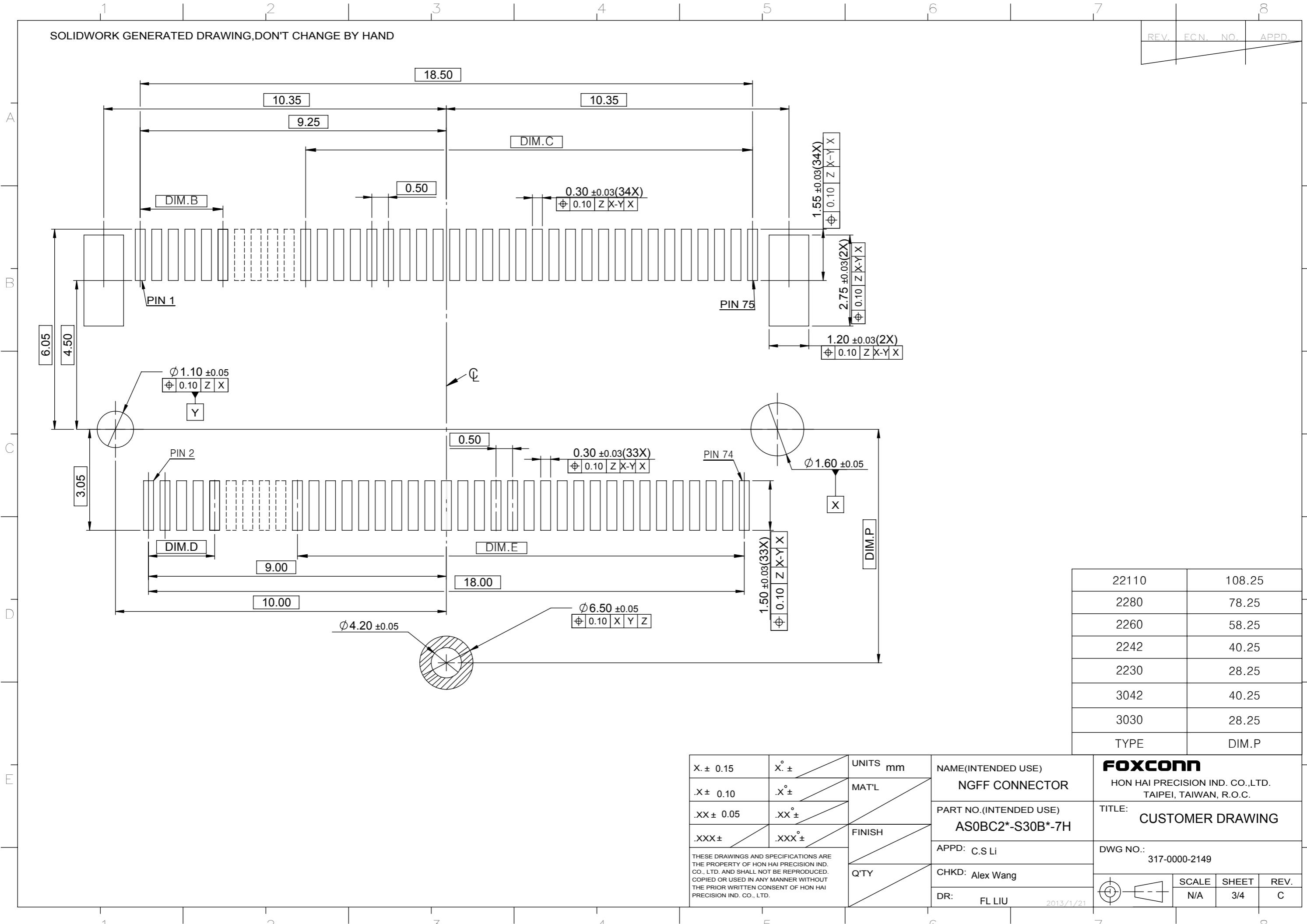
KEY ID

| | | COMPONENT MAX H | |
|---------------------|-----|-----------------|------------|
| | | TOM MAX | BOTTOM MAX |
| LENGTH(mm) DIM.L | 30 | S1 | 1.2 |
| | 42 | S2 | 1.35 |
| | 60 | S3 | 1.5 |
| | 80 | D1 | 1.2 |
| WIDTH(mm) DIM.W | 22 | D2 | 1.35 |
| | 30 | D3 | 1.5 |
| | 80 | D4 | 1.5 |
| | 110 | | 0.7 |

| | | | | |
|--|-------------|----------|------------------------|---|
| X. ± 0.15 | X° \pm | UNITS mm | NAME(INTENDED USE) | FOXCONN HON HAI PRECISION IND. CO.,LTD. TAIPEI, TAIWAN, R.O.C. |
| .X ± 0.10 | .X° \pm | | NGFF CONNECTOR | |
| .XX ± 0.05 | .XX° \pm | MAT'L | PART NO.(INTENDED USE) | TITLE: |
| .XXX \pm | .XXX° \pm | | AS0BC2*-S30B*-7H | CUSTOMER DRAWING |
| THESE DRAWINGS AND SPECIFICATIONS ARE THE PROPERTY OF HON HAI PRECISION IND. CO., LTD. AND SHALL NOT BE REPRODUCED, COPIED OR USED IN ANY MANNER WITHOUT THE PRIOR WRITTEN CONSENT OF HON HAI PRECISION IND. CO., LTD. | | | FINISH | DWG NO.: |
| | | | Q'TY | 317-0000-2149 |
| | | | APPD: C.S Li | SCALE SHEET REV. N/A 2/4 C |
| | | | CHKD: Alex Wang | |
| | | | DR: FL LIU | 2013/1/21 |

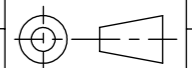
SOLIDWORK GENERATED DRAWING, DON'T CHANGE BY HAND

| | | | |
|------|------|-----|-------|
| REV. | ECN. | NO. | APPD. |
| | | | |



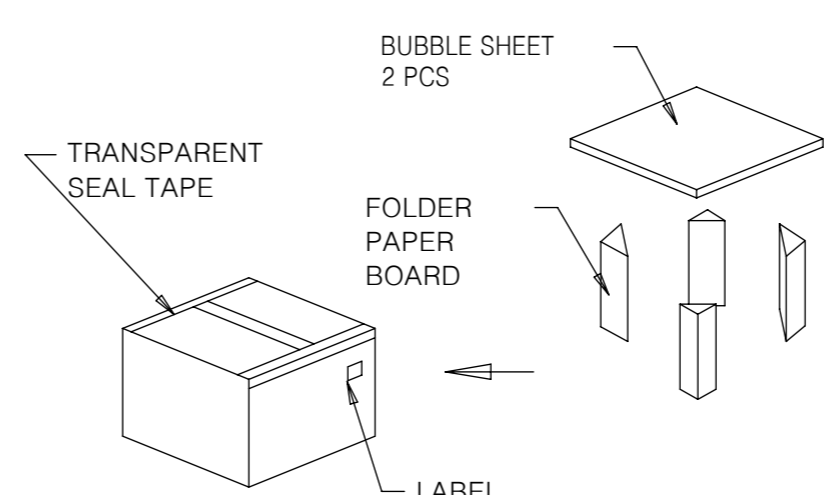
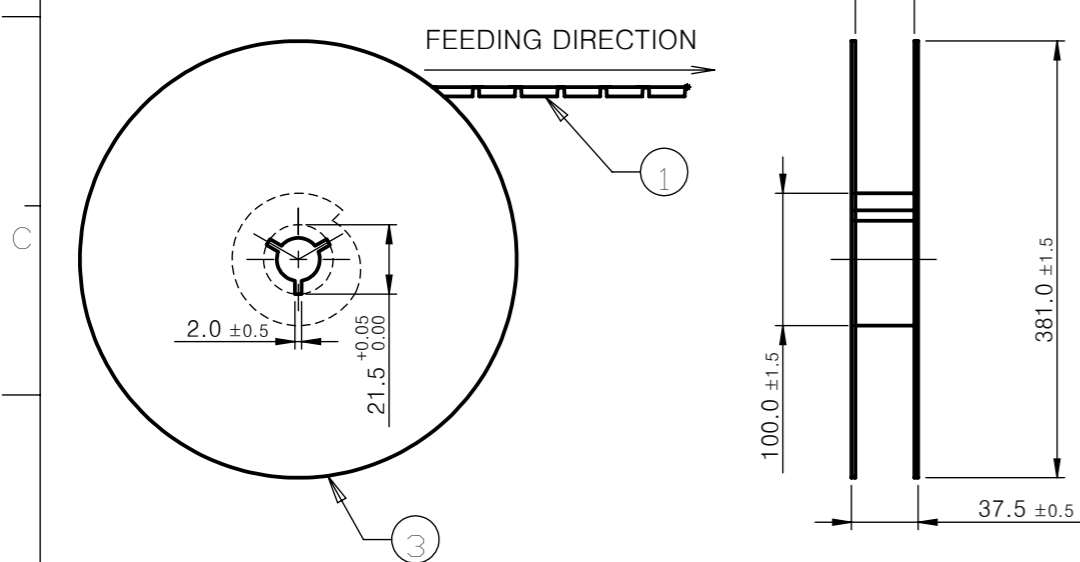
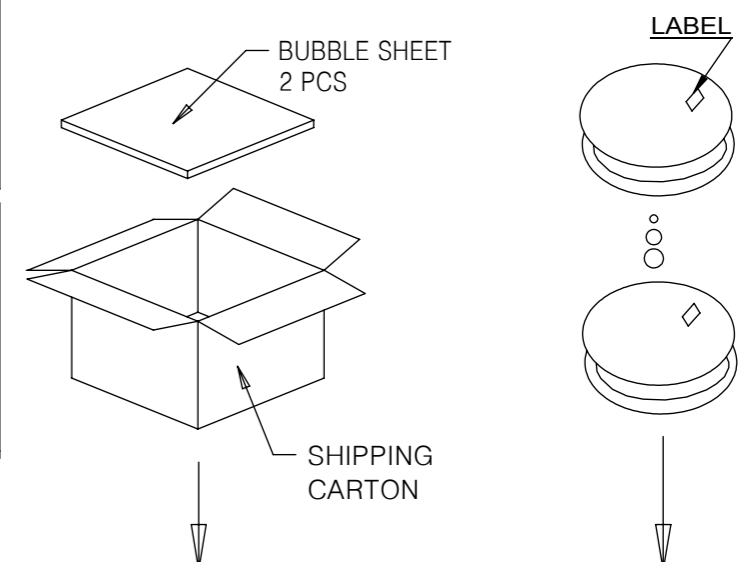
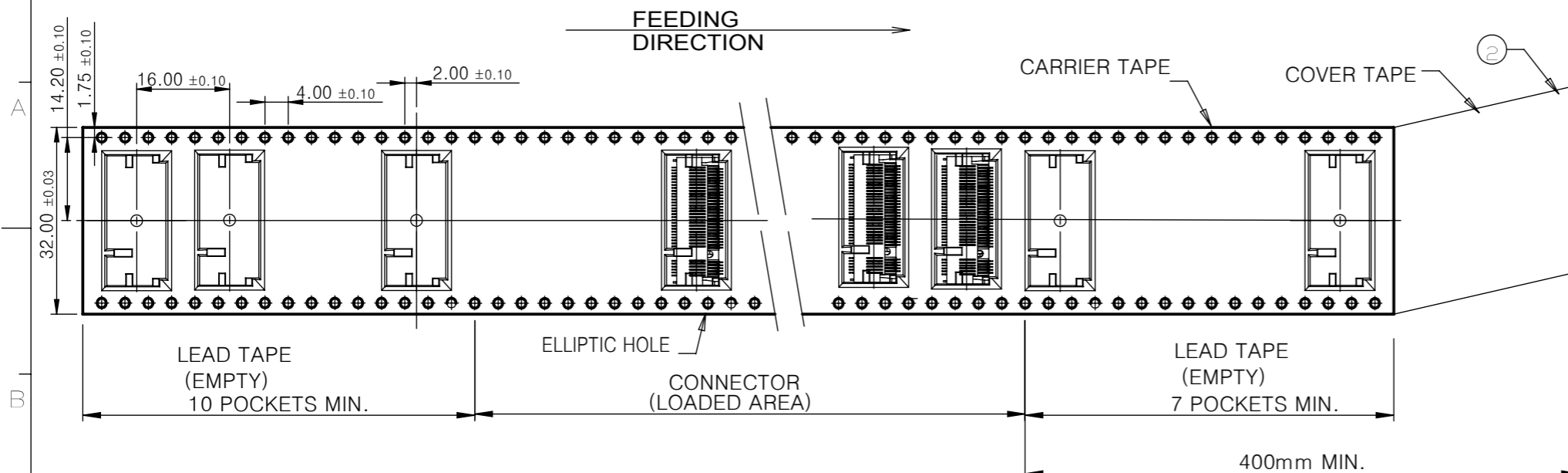
| | |
|-------|--------|
| 22110 | 108.25 |
| 2280 | 78.25 |
| 2260 | 58.25 |
| 2242 | 40.25 |
| 2230 | 28.25 |
| 3042 | 40.25 |
| 3030 | 28.25 |
| TYPE | DIM.P |

| | | | | | |
|--|----------|----------|--|--|--------|
| X. ± 0.15 | X. ° ± | UNITS mm | NAME (INTENDED USE) NGFF CONNECTOR | FOXCONN HON HAI PRECISION IND. CO., LTD. TAIPEI, TAIWAN, R.O.C. | |
| .X ± 0.10 | .X ° ± | | | | MAT'L |
| .XX ± 0.05 | .XX ° ± | | | | FINISH |
| .XXX ± | .XXX ° ± | | | | Q'TY |
| THESE DRAWINGS AND SPECIFICATIONS ARE THE PROPERTY OF HON HAI PRECISION IND. CO., LTD. AND SHALL NOT BE REPRODUCED, COPIED OR USED IN ANY MANNER WITHOUT THE PRIOR WRITTEN CONSENT OF HON HAI PRECISION IND. CO., LTD. | | | PART NO. (INTENDED USE) AS0BC2*-S30B*-7H | TITLE: CUSTOMER DRAWING | |
| | | | APPD: C.S Li | DWG NO.: 317-0000-2149 | |
| | | | CHKD: Alex Wang | | |
| | | | DR: FL LIU | SCALE: N/A SHEET: 3/4 REV.: C | |

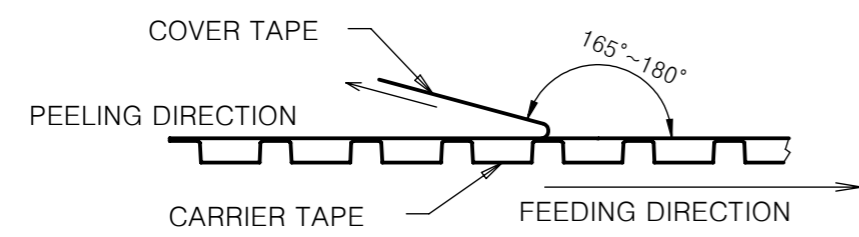


SOLIDWORKS GENERATED DRAWING, DO NOT CHANGE BY HAND

| | | | |
|------|------|-----|-------|
| REV. | ECN. | NO. | APPD. |
| | | | |



- NOTES:
- COVER TAPE PEELING STRENGTH : 0.01 kgf MIN & 0.13 kgf MAX. AT 300mm/min.
 - 10 POCKETS HOLE PITCH CUMULATIVE TOLERANCE ±0.20mm.



| | | |
|------|--------------|-------------|
| ③ | REEL | POLYSTYRENE |
| ② | COVER TAPE | POLYESTER |
| ① | CARRIER TAPE | POLYSTYRENE |
| ITEM | DESCRIPTION | MATERIAL |

| | | | | | |
|--|------------|----------|------------------------|---|------|
| X. ± 0.30 | X. ° ± ° | UNITS mm | NAME(INTENDED USE) | FOXCONN HON HAI PRECISION IND. CO.,LTD. TAIPEI, TAIWAN, R.O.C. | |
| .X ± 0.25 | .X ° ± ° | MAT'L | NGFF CONNECTOR | | |
| .XX ± 0.15 | .XX ° ± ° | FINISH | PART NO.(INTENDED USE) | TITLE: | |
| .XXX ± | .XXX ° ± ° | Q'TY | AS0BC2*-S30B*-7H | CUSTOMER DRAWING | |
| THESE DRAWINGS AND SPECIFICATIONS ARE THE PROPERTY OF HON HAI PRECISION IND. CO., LTD. AND SHALL NOT BE REPRODUCED, COPIED OR USED IN ANY MANNER WITHOUT THE PRIOR WRITTEN CONSENT OF HON HAI PRECISION IND. CO., LTD. | | | APPD: C.S Li | DWG NO.: | |
| | | | CHKD: Alex Wang | 317-0000-2149 | |
| | | | DR: FL LIU | 2013/1/21 | |
| | | | SCALE | SHEET | REV. |
| | | | N/A | 4/4 | C |

| | | | |
|------------------|----------|----------|---------|
| AS0BC2*-S30B*-7H | 1200 | 7 | 8400 |
| P/N | PCS/REEL | REEL/BOX | PCS/BOX |

X-ON Electronics

Largest Supplier of Electrical and Electronic Components

Click to view similar products for [Foxconn](#) manufacturer:

Other Similar products are found below :

[AS0A821-H2RB-7H](#) [PE41897-01NK5-1H](#) [JFM3811J-G140-4F](#) [QT012206-1031-2H](#) [UC11123-11KB-4F](#) [UEA11123-8EZ3-4H](#) [2EG04927-D2LN-DF](#) [SJ05201-A0](#) [UEA11123-QHD6-4H](#) [UB1112C-8FDE-4F](#) [3H993321-4M41-01H](#) [ATF5883-A2B30-2F](#) [ATF5883-A2B20-2F](#) [WNMBL60-1NNK0-EH](#) [WNMBP06-01NK0-EH](#) [HM3505E-P1](#) [AH58897-T2B20-3F](#) [DZ11AA1-H5A7-4F](#) [ASAA821-H4SB5-7H](#) [PE36473-01NK3-1H](#) [PE36473-01NK4-1H](#) [QH11121-DBT1-4F](#) [BBH1231-C1000-7H](#) [ATH4017-H3B-4F](#) [3S1020F3-AD4-4F](#) [2EF5B57-DA9DN-5F](#) [UEA01123-4FH1-4H](#) [2EM5407-B19BL-8F](#) [LU11683-B007-9H](#) [HB3106F](#) [LDH2363-33N20-7H](#) [ATH4017-H9LE-4F](#) [UEA1112C-UHS6-4F](#) [2EF5497-DA9DB-8H](#) [LDP2683-13A50-9H](#) [JPD1030-M301-7F](#) [2E0BC21-S64BM-7H](#) [2EZ00161-PH2-4F](#) [HC11051-D4](#) [LD1807F-S54TD](#) [2EG24927-D5D1-JF](#) [ASOB226-S52Q-7H](#) [AS0A626-HASN-7H](#) [HF5504E-P1LH](#) [JA634C-40ADA5B-7H](#) [AS0A621-H2R6-7H](#) [QT002206-4131-3H](#) [JFM24U11-21C3-4F](#) [EH06003-DAW-DF](#) [AS0B221-S52Q-7H](#)