

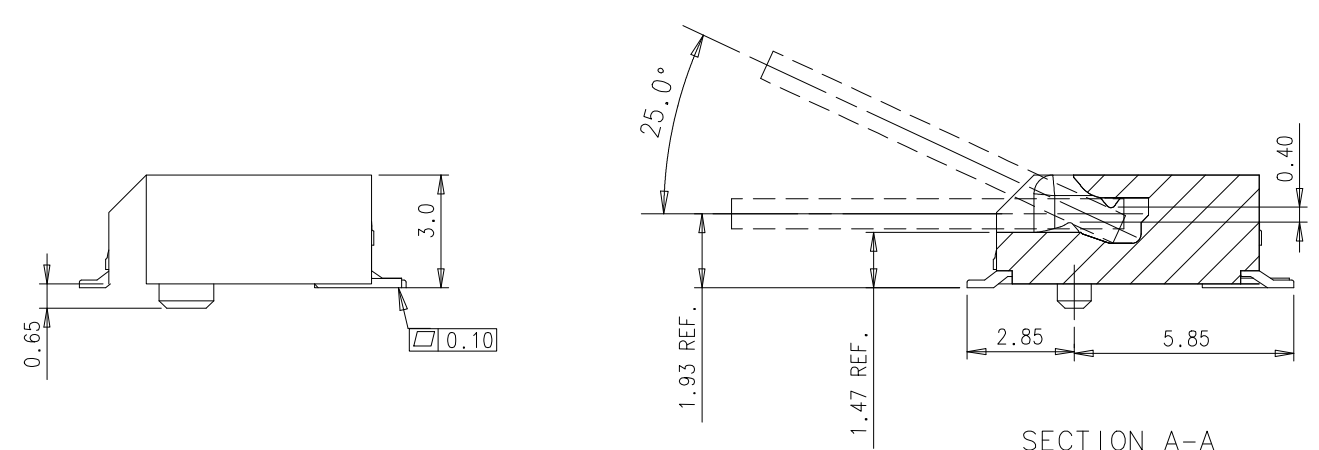
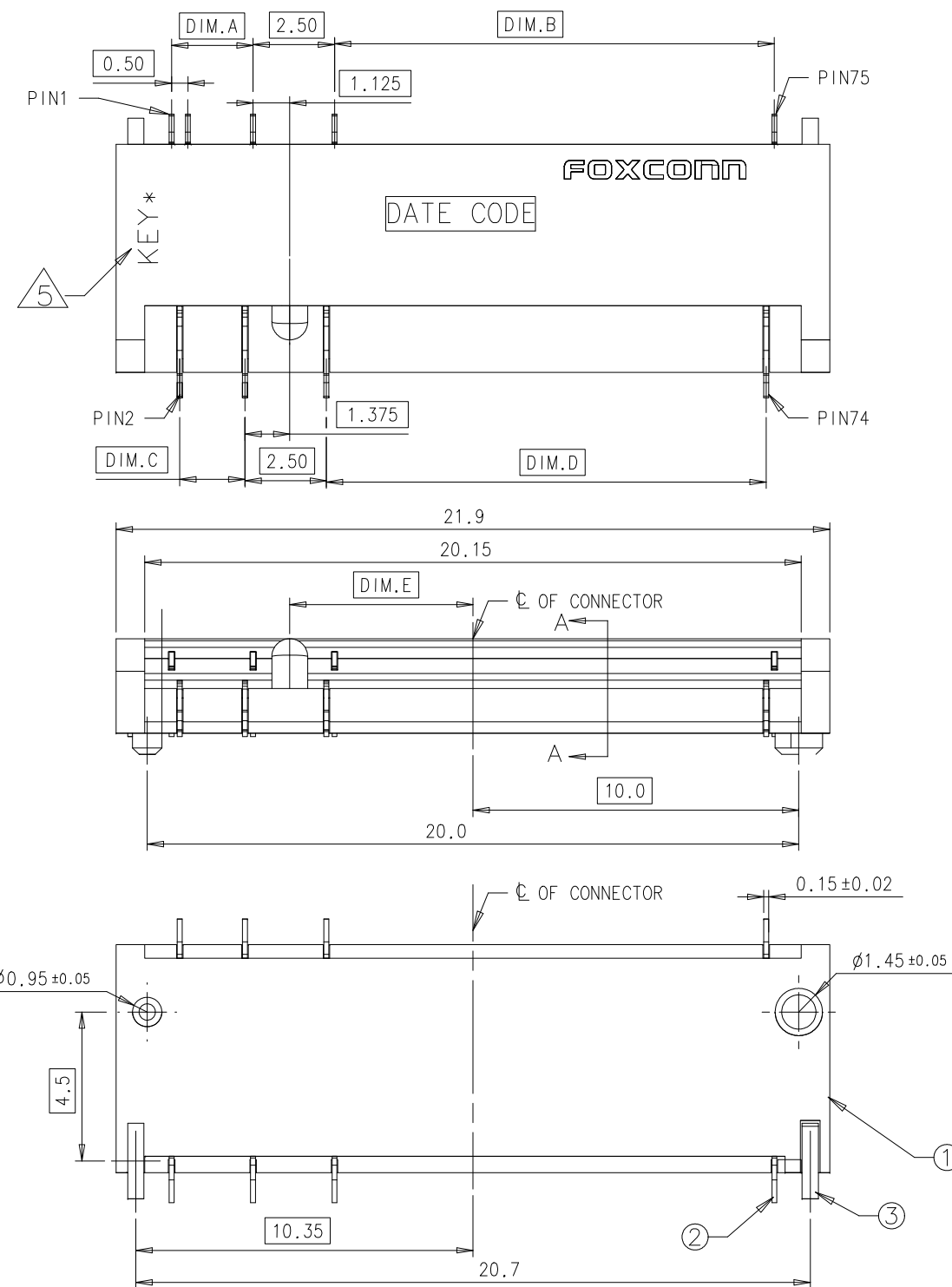
IDEAS GENERATED DRAWING, DO NOT CHANGE BY HAND

REV.	ECN. NO.	APPD.
X1	PKD280049	Y.H.Mao
X2	PKD280069	Bruce Wu
X3	PKD290006	Bruce Wu
X4	PKD290071	Bruce Wu

NOTES:

- ELECTRICAL CHARACTERISTICS:
 - CONTACT CURRENT RATING: 0.5 AMPERE MAX. PER PIN.
 - VOLTAGE RATING: 50V AC.
 - INSULATION RESISTANCE :500 MEGAOHMS MIN. AT 500V DC.
 - DIELECTRIC WITHSTANDING VOLTAGE: 300V AC RMS AT 60Hz, FOR 1 MINUTE.
 - CONTACT RESISTANCE: 55 MILLIOHMS MAX. PER PIN INITIAL.
 $\Delta R=20$ MILLIOHMS MAX. PER PIN AFTER FULL ENVIRONMENT TESTING.
 - MECHANICAL CHARACTERISTICS: DURABILITY: 50 MATING CYCLES.
 - OPERATION TEMPERATURE: -40°C TO +80°C.
 - PLEASE CONTACT FOXCONN SALES REPRESENTATIVE TO VERIFY PRODUCT DETAIL & AVAILABILITY.
- \triangle KEY LABEL "*" IS A CAPITAL LETTER PER THE PART NO.

PROPOSAL



KEY A	6.625	14.5	1.0	14.5	1.5	ASOBC2*-S30BA-7H
KEY E	2.625	10.5	5.0	10.5	5.5	ASOBC2*-S30BE-7H
KEY B	5.625	13.5	2.0	13.5	2.5	ASOBC2*-S30BB-7H
KEY M	6.125	1.5	14.0	2.0	14.0	ASOBC2*-S30BM-7H
KEY NAME	DIM.E	DIM.D	DIM.C	DIM.B	DIM.A	P/N
③	BOARD LOCK	2	COPPER ALLOY	50u" NICKEL UNDER PLANTING, 30u" PURE TIN PLATING OVER ALL		
②	CONTACT	67	COPPER ALLOY	50u" NICKEL UNDER PLATING GOLD FLASH PLATING AT TAIL AREA 10u" GOLD PLATING AT CONTACT AREA		
①	HOUSING	1	THERMOPLASTIC	UL94V-0, HALOGEN FREE		
ITEM	DESCRIPTION	Q'TY	MATERIAL	TREATMENT		

PART NO. DESCRIPTION: A S O B C 2 * - S 30 B * - 7 H

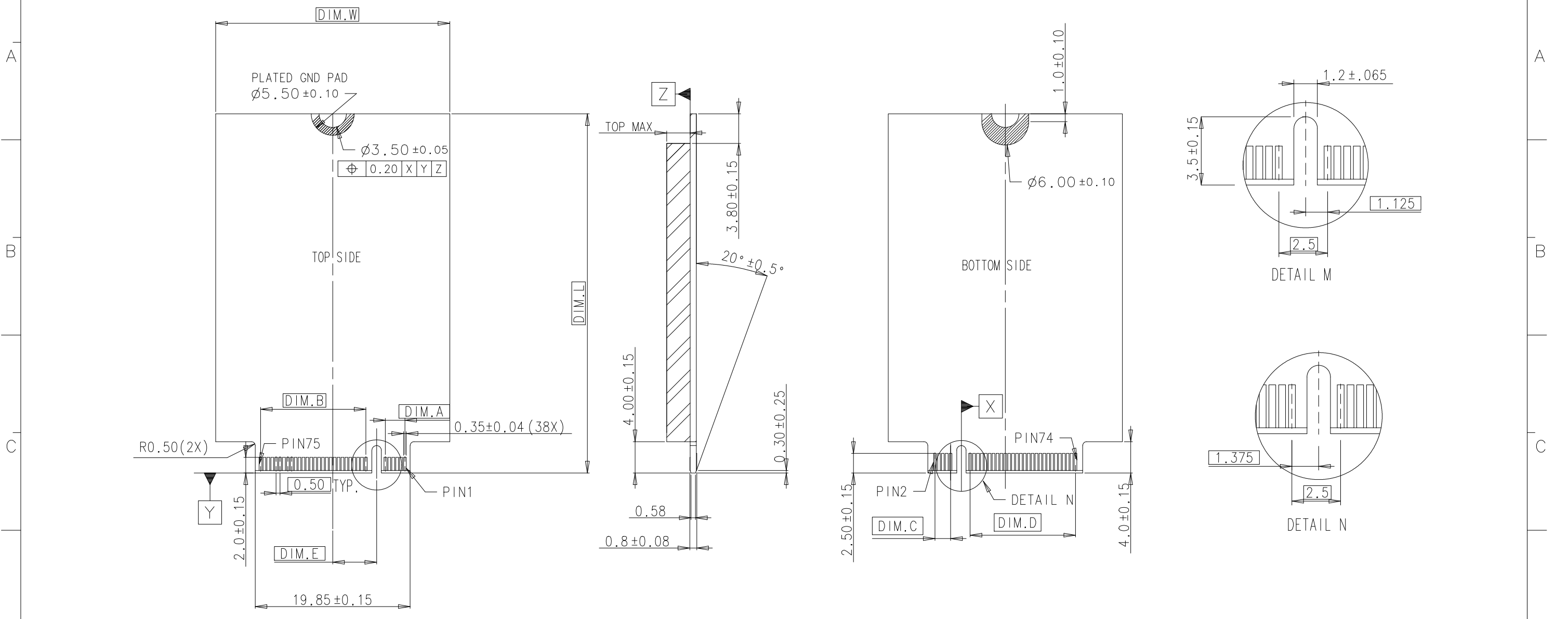
MEMORY MODULE SOCKET	A	S	O	B	C	2	*	-	S	30	B	*	-	7	H
HORIZONTAL TYPE															
SINGLE ROW															
BC=0.5P 67POS. NGFF															
SMT															
CONTACT AREA PLATING															
1=GOLD FLASH															
6=10u" GOLD PLATING															

7=TAPE&REEL
KEY NAME (INCLUDE A&B&E&M)
B=BLACK COLOR
30=3.0mm HEIGHT
STANDARD TYPE

X. ± 0.30	X° ± 2°	UNITS mm	NAME (INTENDED USE)	FOXCONN HON HAI PRECISION IND. CO., LTD. TAIPEI, TAIWAN, R.O.C.
.X ± 0.25	.X° ± 1°		NGFF MINI PCI CONNECTOR	
.XX ± 0.15	.XX° ±		MAT'L	PART NO. (INTENDED USE)
.XXX ±	.XXX° ±	FINISH	ASOBC2*-S30B*-7H	CUSTOMER DRAWING
THESE DRAWINGS AND SPECIFICATIONS ARE THE PROPERTY OF HON HAI PRECISION IND. CO., LTD. AND SHALL NOT BE REPRODUCED, COPIED OR USED IN ANY MANNER WITHOUT THE PRIOR WRITTEN CONSENT OF HON HAI PRECISION IND. CO., LTD.			APPD: Bruce Wu	DWG NO.:
			CHKD: Alex Wang	317-0000-S30BX
			DR: FL LIU 9/27'12	SCALE SHEET REV.
				N/A 1/4 X4

IDEAS GENERATED DRAWING, DO NOT CHANGE BY HAND

REV.	ECN. NO.	APPD.



TYPE XX XX-XX-X
KEY ID

component MAX H	
	Top MAX Bottom MAX
S1	1.2 0
S2	1.35 0
S3	1.5 0

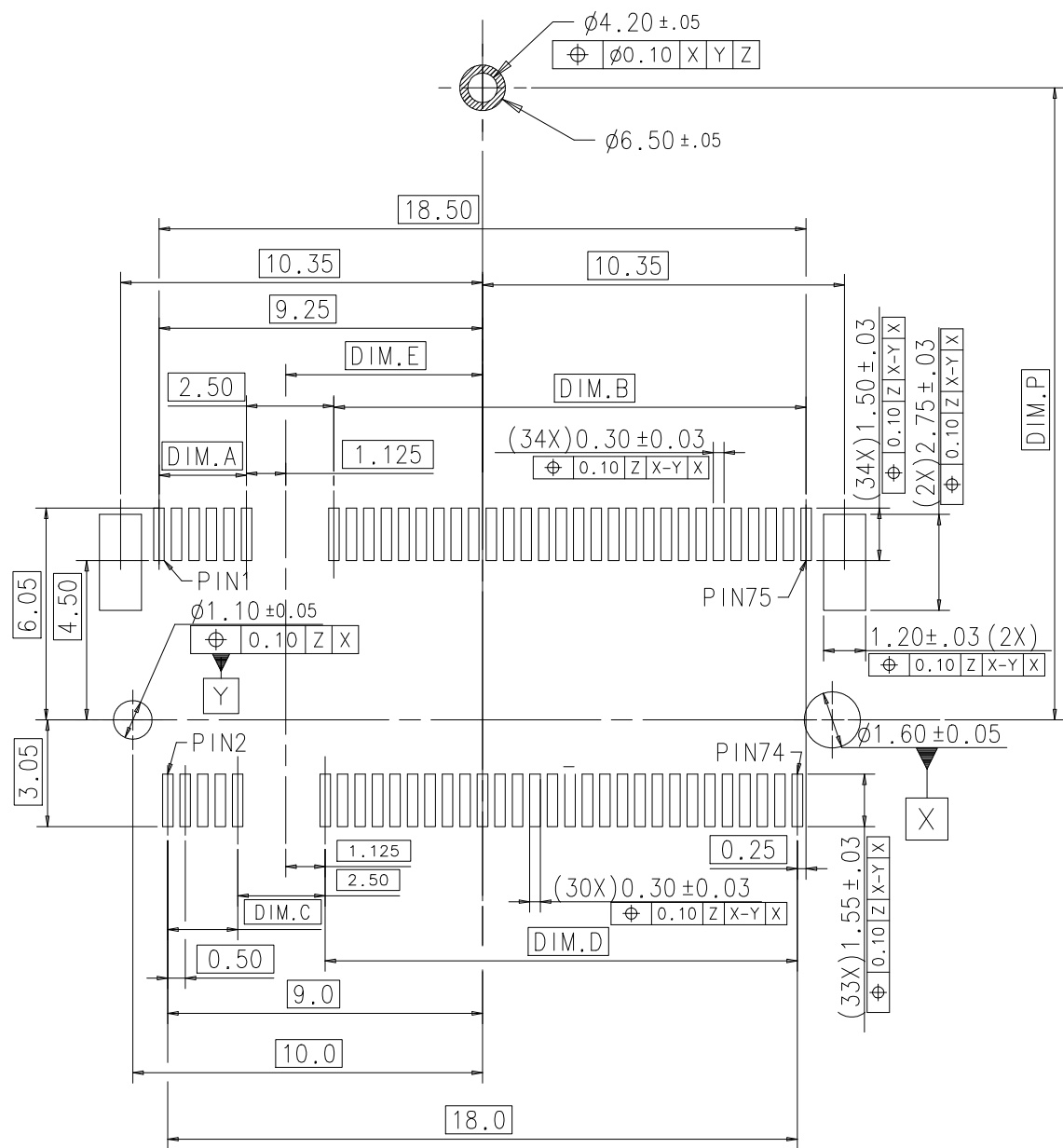
Length(mm) DIM.L	30 42 60 80 110
Width(mm) DIM.W	22 30

PROPOSAL

KEY M	6.625	14.5	1.0	14.5	1.5
KEY A	6.625	14.5	1.0	14.5	1.5
KEY E	2.625	10.5	5.0	10.5	5.5
KEY B	5.625	13.5	2.0	13.5	2.5
KEY NAME	DIM.E	DIM.D	DIM.C	DIM.B	DIM.A

X. ± 0.30	X.° ± 2°	UNITS mm	NAME (INTENDED USE) NGFF MINI PCI CONNECTOR	FOXCONN HON HAI PRECISION IND. CO., LTD. TAIPEI, TAIWAN, R.O.C.
.X ± 0.25	.X° ± 1°			
.XX ± 0.15	.XX° ±	FINISH	PART NO. (INTENDED USE) AS0BC2*-S30B*-7H	TITLE: CUSTOMER DRAWING
.XXX ±	.XXX° ±		APPD: Bruce Wu	DWG NO.: 317-0000-S30BX
THESE DRAWINGS AND SPECIFICATIONS ARE THE PROPERTY OF HON HAI PRECISION IND. CO., LTD. AND SHALL NOT BE REPRODUCED, COPIED OR USED IN ANY MANNER WITHOUT THE PRIOR WRITTEN CONSENT OF HON HAI PRECISION IND. CO., LTD.			CHKD: Alex Wang	SCALE SHEET REV. N/A 2/4 X4
			Q'TY	

REV.	ECN. NO.	APPD.



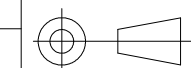
RECOMMENDED P.C.B LAYOUT

PROPOSAL

22110	108.25
2280	78.25
2260	58.25
3042	40.25
2242	40.25
3030	28.25
2230	28.25
TYPE	DIM.P

KEY A	6.625	14.5	1.0	14.5	1.5
KEY E	2.625	10.5	5.0	10.5	5.5
KEY B	5.625	13.5	2.0	13.5	2.5
KEY M	6.125	1.5	14.0	2.0	14.0
KEY NAME	DIM.E	DIM.D	DIM.C	DIM.B	DIM.A

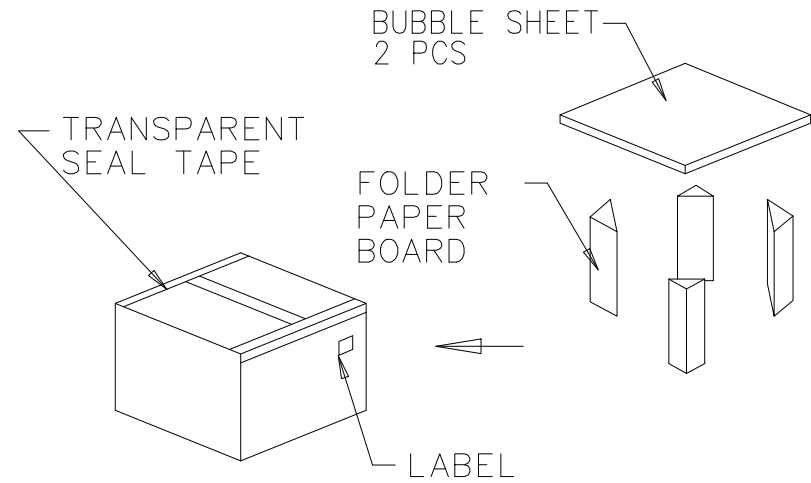
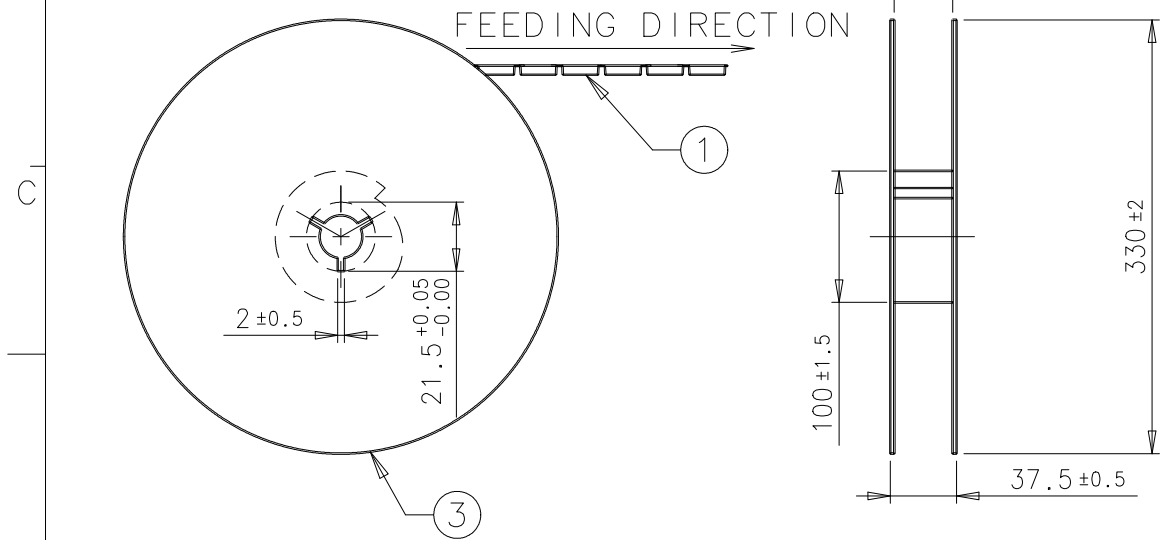
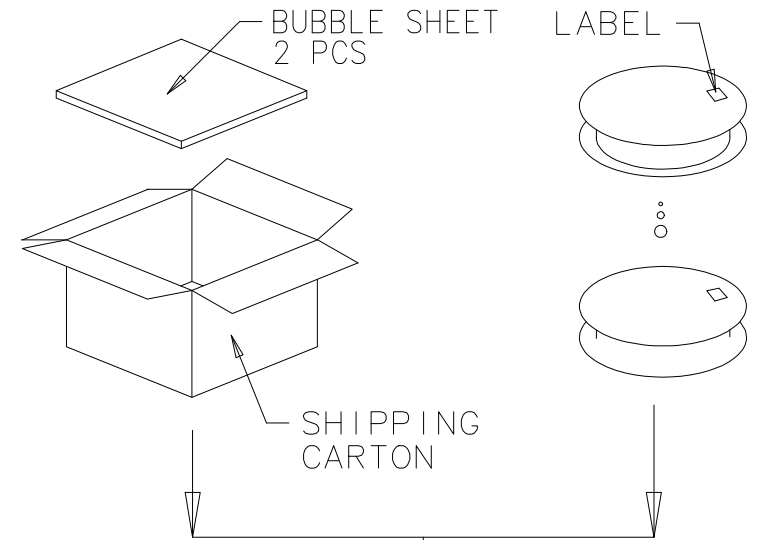
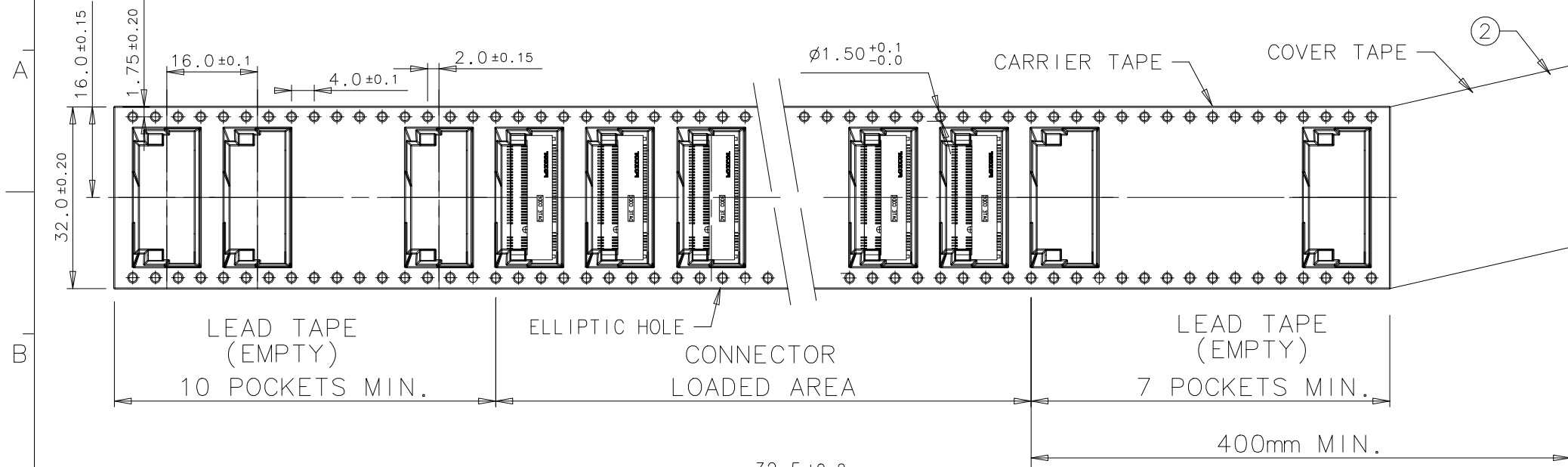
X. ± 0.30	X°. ± 2°	UNITS mm	NAME (INTENDED USE) NGFF MINI PCI CONNECTOR	FOXCONN HON HAI PRECISION IND. CO., LTD. TAIPEI, TAIWAN, R.O.C.
.X ± 0.25	.X°. ± 1°			
.XX ± 0.15	.XX°. ±	FINISH	APPD: Bruce Wu	DWG NO.: 317-0000-S30BX
.XXX ±	.XXX°. ±			
THESE DRAWINGS AND SPECIFICATIONS ARE THE PROPERTY OF HON HAI PRECISION IND. CO., LTD. AND SHALL NOT BE REPRODUCED, COPIED OR USED IN ANY MANNER WITHOUT THE PRIOR WRITTEN CONSENT OF HON HAI PRECISION IND. CO., LTD.			DR: FL LIU 9/27'12	



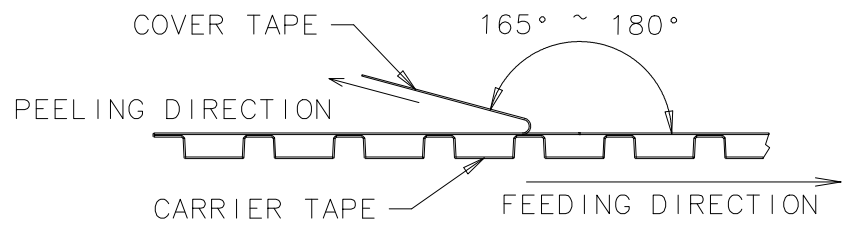
IDEAS GENERATED DRAWING, DO NOT CHANGE BY HAND

REV.	ECN. NO.	APPD.

FEEDING DIRECTION →



- NOTES:
1. 10 POCKETS HOLE PITCH CUMULATIVE TOLERANCE $\pm 0.20\text{mm}$.
 2. COVER TAPE PEELING STRENGTH : 0.01 kgf MIN & 0.13 kgf MAX. AT 300mm/min.



③	REEL	POLYSTYRENE
②	COVER TAPE	POLYESTER
①	CARRIER TAPE	POLYSTYRENE
ITEM	DESCRIPTION	MATERIAL

X. ± 0.30	X° ± 2°	UNITS mm	NAME (INTENDED USE)	FOXCONN HON HAI PRECISION IND. CO., LTD. TAIPEI, TAIWAN, R.O.C.
.X ± 0.25	.X° ± 1°		NGFF MINI PCI CONNECTOR	
.XX ± 0.15	.XX° ±	MAT'L	PART NO. (INTENDED USE)	TITLE:
.XXX ±	.XXX° ±		AS0BC2*-S30B*-7H	CUSTOMER DRAWING
THESE DRAWINGS AND SPECIFICATIONS ARE THE PROPERTY OF HON HAI PRECISION IND. CO., LTD. AND SHALL NOT BE REPRODUCED, COPIED OR USED IN ANY MANNER WITHOUT THE PRIOR WRITTEN CONSENT OF HON HAI PRECISION IND. CO., LTD.			APPD: Bruce Wu	DWG NO.:
			Q'TY	317-0000-S30BX
PROPOSAL			CHKD: Alex Wang	SCALE SHEET REV. N/A 4/4 X4
			DR: FL LIU 9/27'12	

CONNECTOR P/N AS0BC2*-S30B*-7H

X-ON Electronics

Largest Supplier of Electrical and Electronic Components

Click to view similar products for [Foxconn](#) manufacturer:

Other Similar products are found below :

[2E0BC21-S64BM-7H](#) [2E0BC21-S85BM-7H](#) [2EF5497-DA9D0-8H](#) [2EF5497-DA9DB-8H](#) [2EF5B57-DA9DN-5F](#) [2EG04927-D2DB-DF](#)
[2EG04927-D2D-DF](#) [2EG04927-D2LN-DF](#) [2EG08217-D2D-DF](#) [2EG14917-D2D8-4F](#) [2EG24927-D5D1-JF](#) [2EG28213-D5D-4F](#) [2EM5407-](#)
[B19BL-8F](#) [2EZ00161-PH2-4F](#) [3H993321-4M41-01H](#) [3S000000-3L-4F](#) [3S1020F3-AD4-4F](#) [3S103823-01-7F](#) [3VD21203-H7U0-4H](#)
[3VM11201-D730-7H](#) [AH58897-T2B20-3F](#) [AS0A621-H2R6-7H](#) [AS0A621-H2S6-7H](#) [AS0A621-H8RN-7H](#) [AS0A621-H8SN-7H](#) [AS0A621-](#)
[HARN-7H](#) [AS0A621-HASN-7H](#) [AS0A626-HASN-7H](#) [AS0A626-J4R6-7H](#) [AS0A821-H2RB-7H](#) [AS0A821-H2SB-7H](#) [AS0A826-H2RB-7H](#)
[AS0A826-H2SB-7H](#) [AS0B221-S52Q-7H](#) [AS0B221-S68Q-7H](#) [AS0B221-S90Q-7H](#) [AS0B226-S99Q-7H](#) [AS0B821-S55B-7H](#) [AS0B826-S78B-](#)
[7H](#) [AS0BC21-S30BA-7H](#) [AS0BC21-S30BB-7H](#) [AS0BC21-S30BE-7H](#) [AS0BC21-S30BM-7H](#) [AS0BC21-S40BB-7H](#) [AS0BC21-S40BE-7H](#)
[AS0BC21-S48BE-7H](#) [ASAA821-EARB0-7H](#) [ASAA821-H4SB5-7H](#) [ASAA826-E8SB0-7H](#) [ASOB226-S52Q-7H](#)