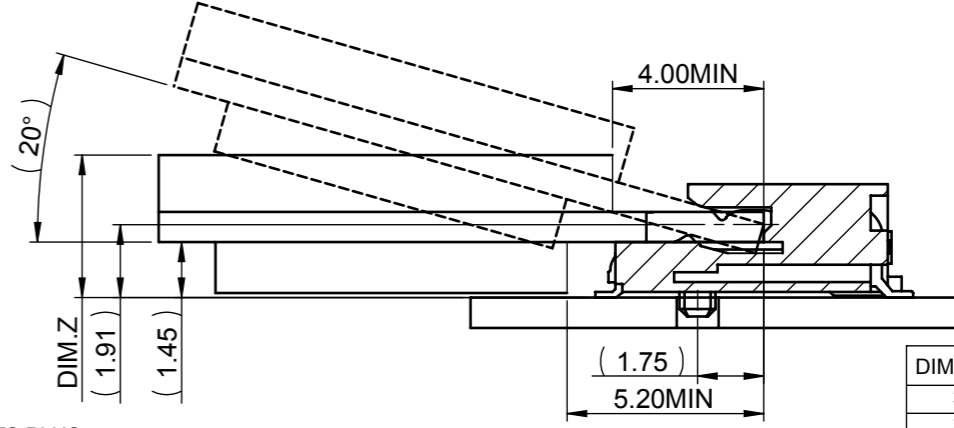
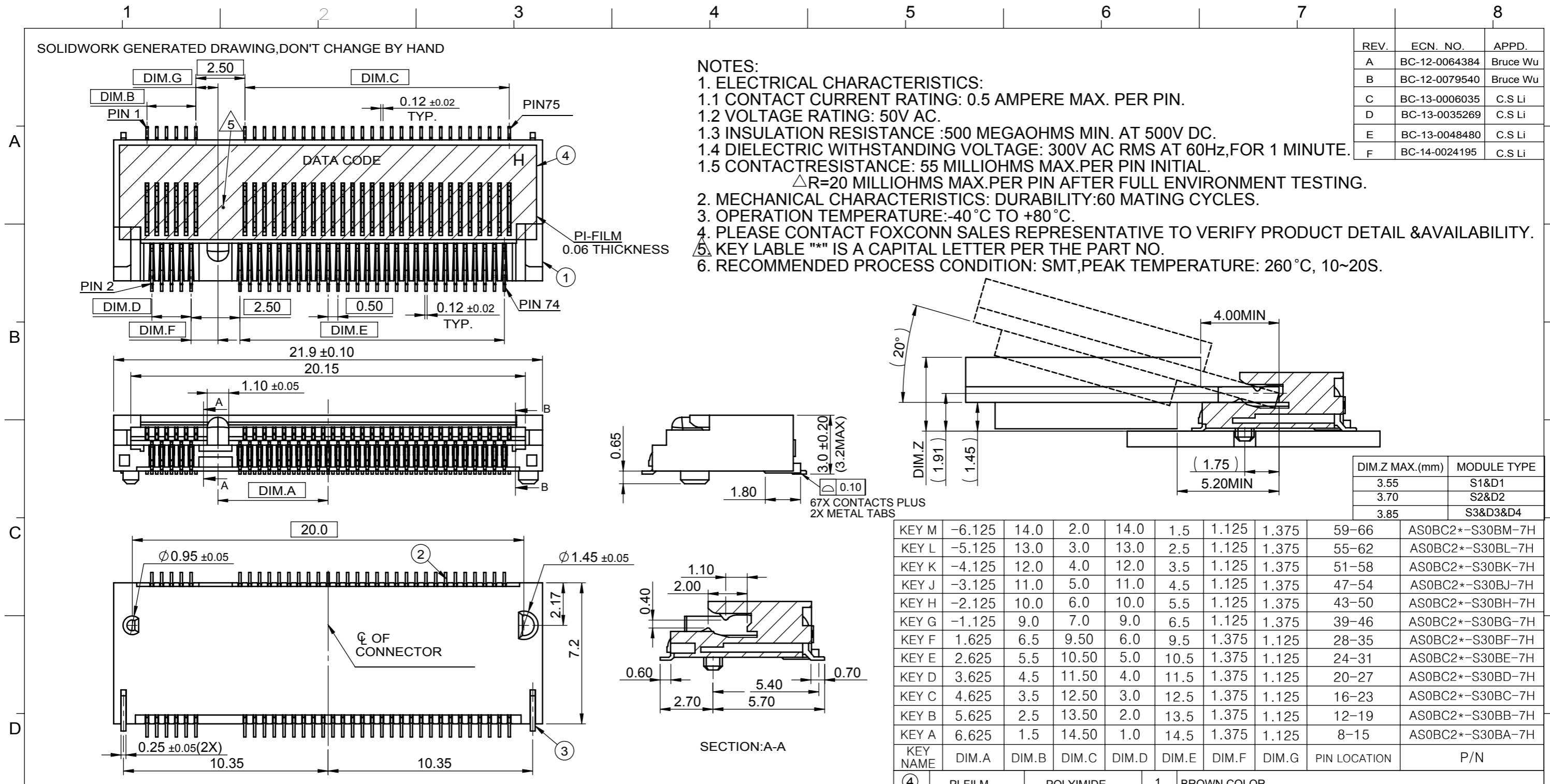


SOLIDWORK GENERATED DRAWING, DON'T CHANGE BY HAND

REV.	ECN. NO.	APPD.
A	BC-12-0064384	Bruce Wu
B	BC-12-0079540	Bruce Wu
C	BC-13-0006035	C.S Li
D	BC-13-0035269	C.S Li
E	BC-13-0048480	C.S Li
F	BC-14-0024195	C.S Li

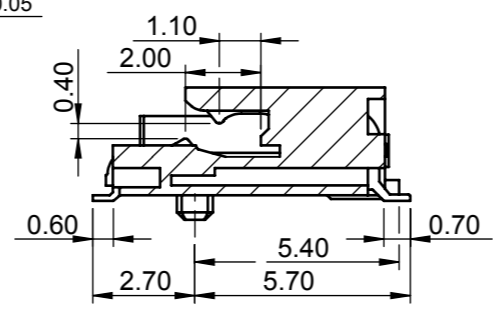
NOTES:

- ELECTRICAL CHARACTERISTICS:
 - CONTACT CURRENT RATING: 0.5 AMPERE MAX. PER PIN.
 - VOLTAGE RATING: 50V AC.
 - INSULATION RESISTANCE :500 MEGAOHMS MIN. AT 500V DC.
 - DIELECTRIC WITHSTANDING VOLTAGE: 300V AC RMS AT 60Hz, FOR 1 MINUTE.
 - CONTACT RESISTANCE: 55 MILLIOHMS MAX. PER PIN INITIAL.
 $\Delta R=20$ MILLIOHMS MAX. PER PIN AFTER FULL ENVIRONMENT TESTING.
- MECHANICAL CHARACTERISTICS: DURABILITY: 60 MATING CYCLES.
- OPERATION TEMPERATURE: -40°C TO +80°C.
- PLEASE CONTACT FOXCONN SALES REPRESENTATIVE TO VERIFY PRODUCT DETAIL & AVAILABILITY.
- KEY LABEL "*" IS A CAPITAL LETTER PER THE PART NO.
- RECOMMENDED PROCESS CONDITION: SMT, PEAK TEMPERATURE: 260°C, 10~20S.



DIM.Z MAX.(mm)	MODULE TYPE
3.55	S1&D1
3.70	S2&D2
3.85	S3&D3&D4

KEY NAME	DIM.A	DIM.B	DIM.C	DIM.D	DIM.E	DIM.F	DIM.G	PIN LOCATION	P/N
KEY M	-6.125	14.0	2.0	14.0	1.5	1.125	1.375	59-66	AS0BC2*-S30BM-7H
KEY L	-5.125	13.0	3.0	13.0	2.5	1.125	1.375	55-62	AS0BC2*-S30BL-7H
KEY K	-4.125	12.0	4.0	12.0	3.5	1.125	1.375	51-58	AS0BC2*-S30BK-7H
KEY J	-3.125	11.0	5.0	11.0	4.5	1.125	1.375	47-54	AS0BC2*-S30BJ-7H
KEY H	-2.125	10.0	6.0	10.0	5.5	1.125	1.375	43-50	AS0BC2*-S30BH-7H
KEY G	-1.125	9.0	7.0	9.0	6.5	1.125	1.375	39-46	AS0BC2*-S30BG-7H
KEY F	1.625	6.5	9.50	6.0	9.5	1.375	1.125	28-35	AS0BC2*-S30BF-7H
KEY E	2.625	5.5	10.50	5.0	10.5	1.375	1.125	24-31	AS0BC2*-S30BE-7H
KEY D	3.625	4.5	11.50	4.0	11.5	1.375	1.125	20-27	AS0BC2*-S30BD-7H
KEY C	4.625	3.5	12.50	3.0	12.5	1.375	1.125	16-23	AS0BC2*-S30BC-7H
KEY B	5.625	2.5	13.50	2.0	13.5	1.375	1.125	12-19	AS0BC2*-S30BB-7H
KEY A	6.625	1.5	14.50	1.0	14.5	1.375	1.125	8-15	AS0BC2*-S30BA-7H



PART NO. DESCRIPTION: A S 0 BC 2 * - S 30 B * - 7 H

MEMORY MODULE SOCKET
 HORIZONTAL TYPE
 SINGLE ROW
 BC=0.5P NGFF
 SMT
 CONTACT AREA PLATING
 1=GOLD FLASH
 Y=5u" GOLD PLATING
 6=10u" GOLD PLATING
 7=15u" GOLD PLATING
 3=30u" GOLD PLATING

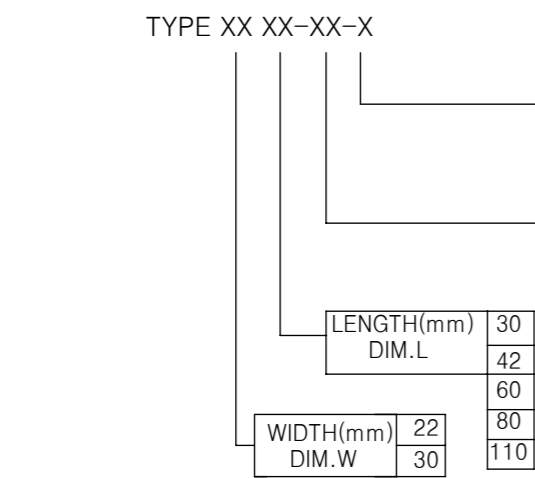
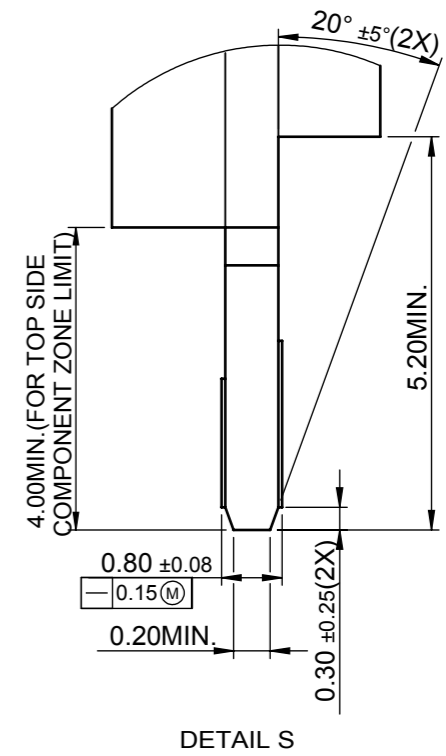
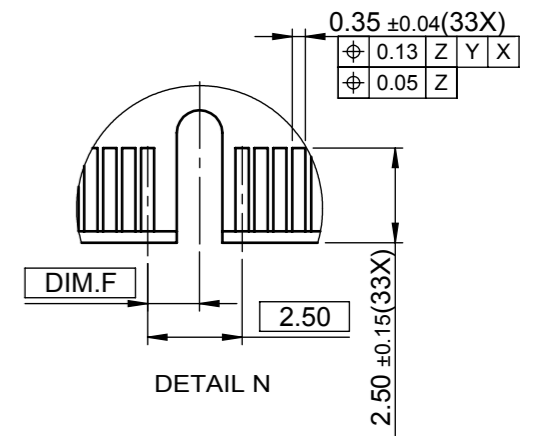
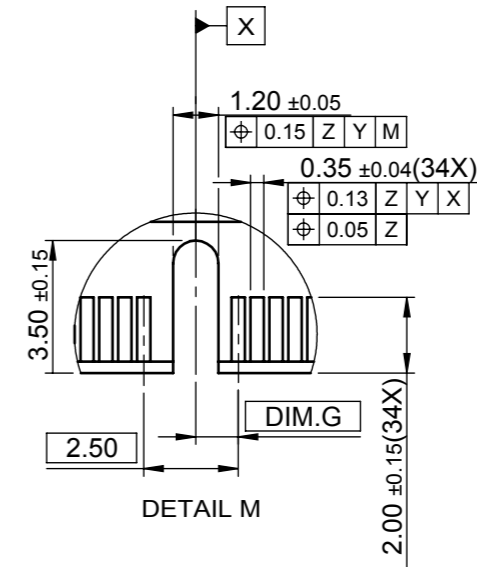
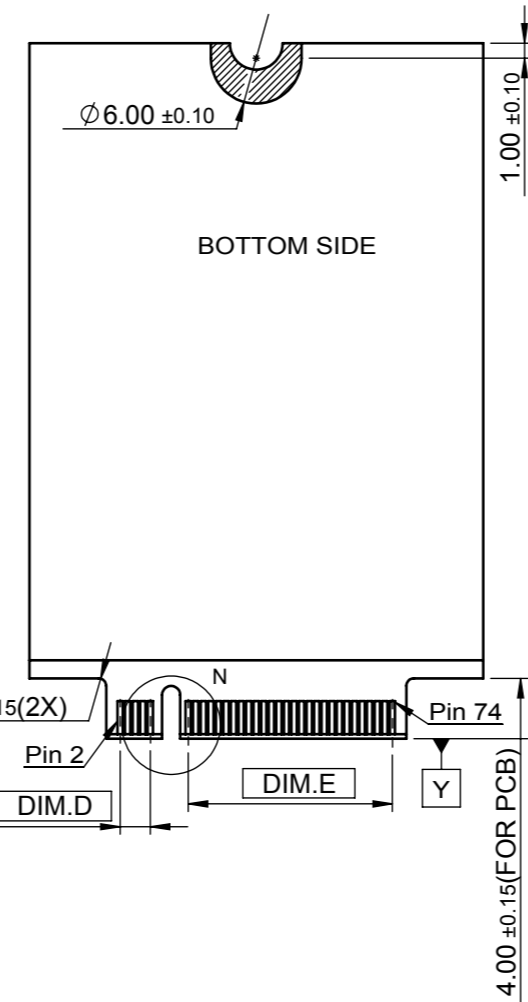
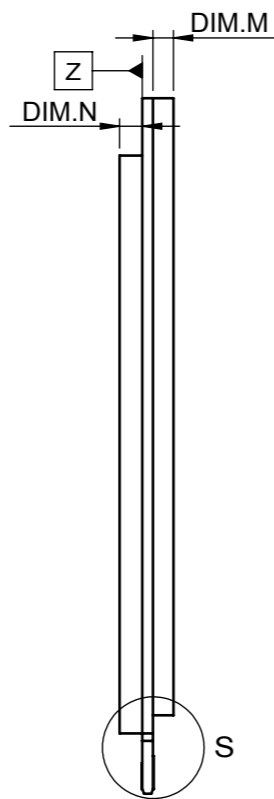
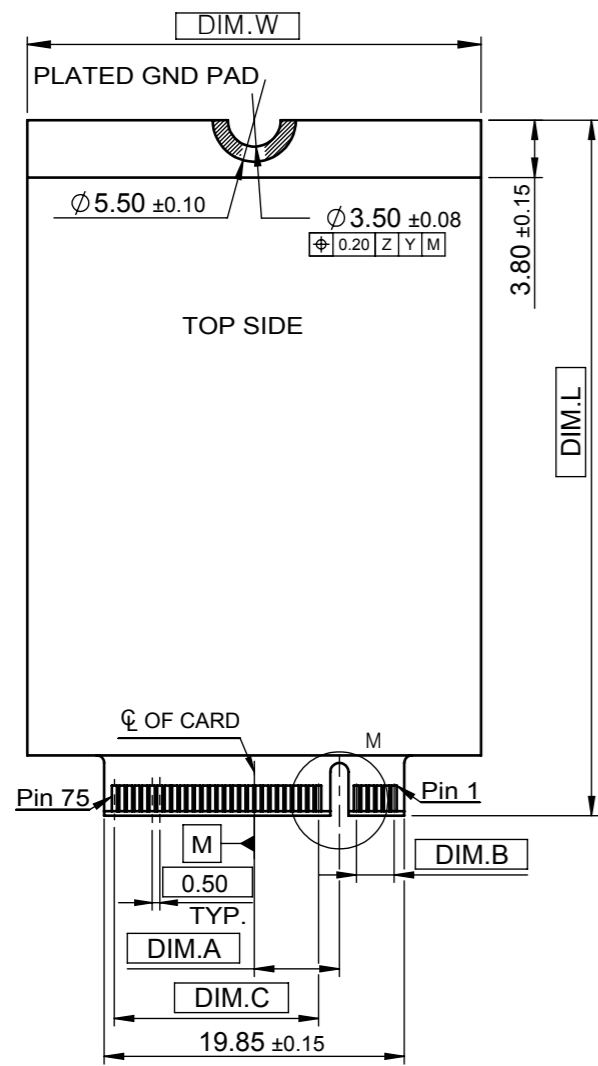
H=HALOGEN FREE&LEAD FREE
 7=TAPE&REEL
 KEY NAME
 B=BLACK COLOR
 30=3.0mm HEIGHT
 STANDARD TYPE

ITEM	DESCRIPTION	MATERIAL	Q'TY	TREATMENT
④	PI-FILM	POLYIMIDE	1	BROWN COLOR
③	METAL TAB	STAINLESS STEEL	2	10u" NICKEL UNDER PLATING 100u" MATTE TIN PLATING OVER ALL
②	CONTACT	COPPER ALLOY	67	50u" NICKEL UNDER PLATING GOLD FLASH PLATING AT TAIL AREA GOLD FLASH OR 5u" GOLD PLATING OR 10" GOLD PLATING OR 15u" GOLD PLATING OR 30u" GOLD PLATING AT CONTACT AREA
①	HOUSING	THERMOPLASTIC	1	UL94V-0, HALOGEN FREE, BLACK COLOR

UNITS	mm	NAME (INTENDED USE)	FOXCONN®
x. ± 0.30	x° ± 2°	M.2 (NGFF) CONNECTOR	FOXCONN INTERCONNECT TECHNOLOGY LIMITED.
.x ± 0.25	.x° ± 1°	PART NO. (INTENDED USE)	CLASS: <input type="checkbox"/> CONFIDENTIAL <input type="checkbox"/> SECRET <input checked="" type="checkbox"/> GENERAL
.xx ± 0.15	.xx° ±	AS0BC2*-S30B*-7H	TITLE: CUSTOMER DRAWING
.xxx ±	.xxx° ±	APPD: C.S Li	DWG NO.: 317-0000-2149
THESE DRAWINGS AND SPECIFICATIONS ARE THE PROPERTY OF FOXCONN INTERCONNECT TECHNOLOGY LIMITED, AND SHALL NOT BE REPRODUCED, COPIED OR USED IN ANY MANNER WITHOUT THE PRIOR WRITTEN CONSENT OF FOXCONN INTERCONNECT TECHNOLOGY LIMITED.		CHKD: Alex Wang	SCALE SHEET REV. N/A 1/4 F
		DR: Liping Yang 2014/5/21	

SOLIDWORK GENERATED DRAWING, DON'T CHANGE BY HAND

REV	FCN	NO.	APPD.



KEY ID	COMPONENT MAX HEIGHT(mm)	
	DIM.N	DIM.M
S1	1.2	0
S2	1.35	0
S3	1.5	0
D1	1.2	1.35
D2	1.35	1.35
D3	1.5	1.35
D4	1.5	0.7

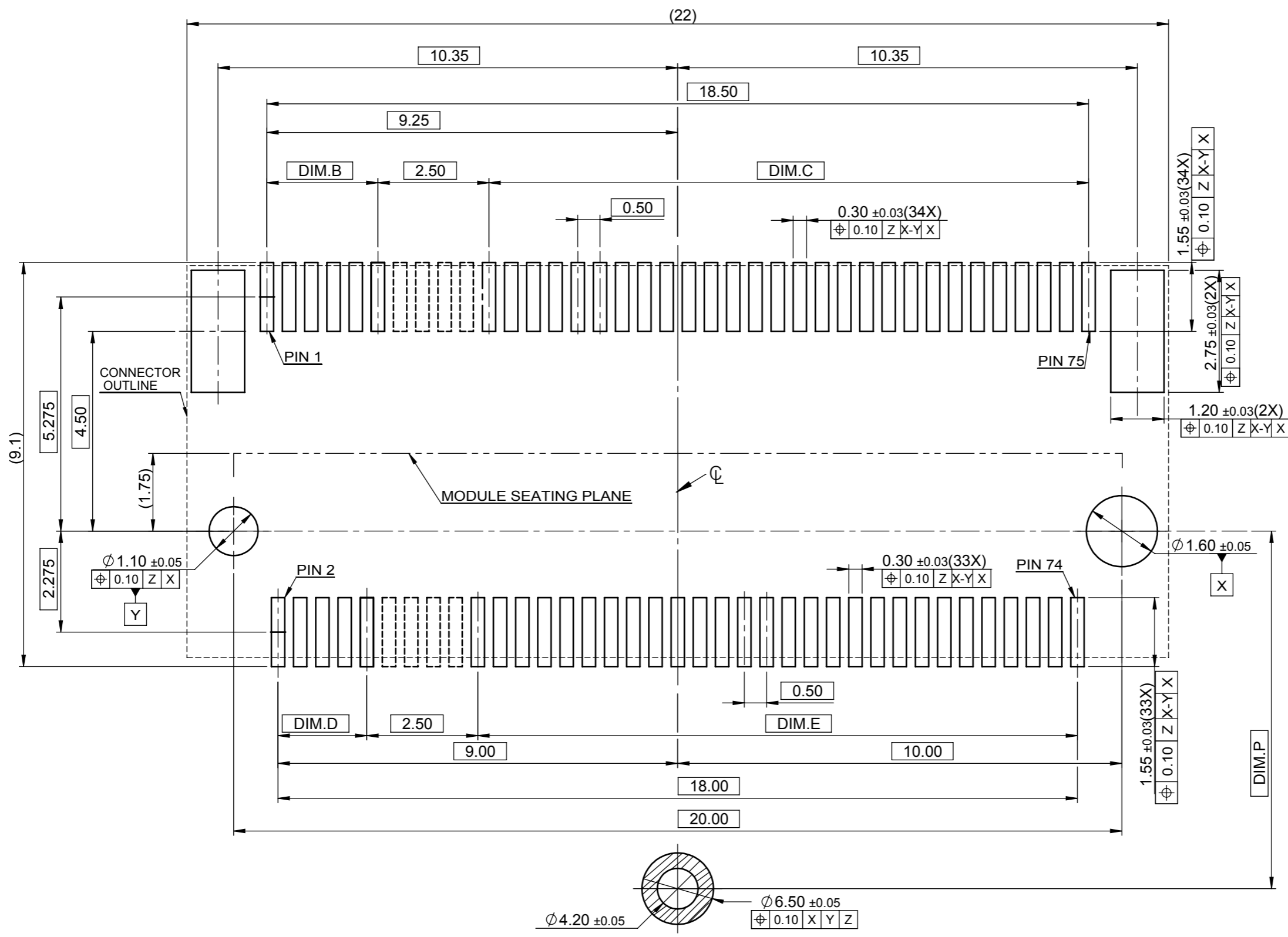
LENGTH(mm)	30
DIM.L	42
	60
	80
	110
WIDTH(mm)	22
DIM.W	30

X. ± 0.15	X° ±	UNITS mm	NAME(INTENDED USE) M.2 (NGFF) CONNECTOR
.X ± 0.10	.X° ±		
.XX ± 0.05	.XX° ±	FINISH	PART NO.(INTENDED USE) AS0BC2*-S30B*-7H
.XXX ±	.XXX° ±		
<small>THESE DRAWINGS AND SPECIFICATIONS ARE THE PROPERTY OF FOXCONN INTERCONNECT TECHNOLOGY LIMITED, AND SHALL NOT BE REPRODUCED, COPIED OR USED IN ANY MANNER WITHOUT THE PRIOR WRITTEN CONSENT OF FOXCONN INTERCONNECT TECHNOLOGY LIMITED.</small>			

APPD: C.S Li	CHKD: Alex Wang	DWG NO.: 317-0000-2149
DR: Liping Yang 2014/5/21		

FOXCONN® FOXCONN INTERCONNECT TECHNOLOGY LIMITED.		
CLASS: <input type="checkbox"/> CONFIDENTIAL <input type="checkbox"/> SECRET <input checked="" type="checkbox"/> GENERAL		
TITLE: CUSTOMER DRAWING		
SCALE	SHEET	REV.
N/A	2/4	F

REV.	ECN. NO.	APPD.



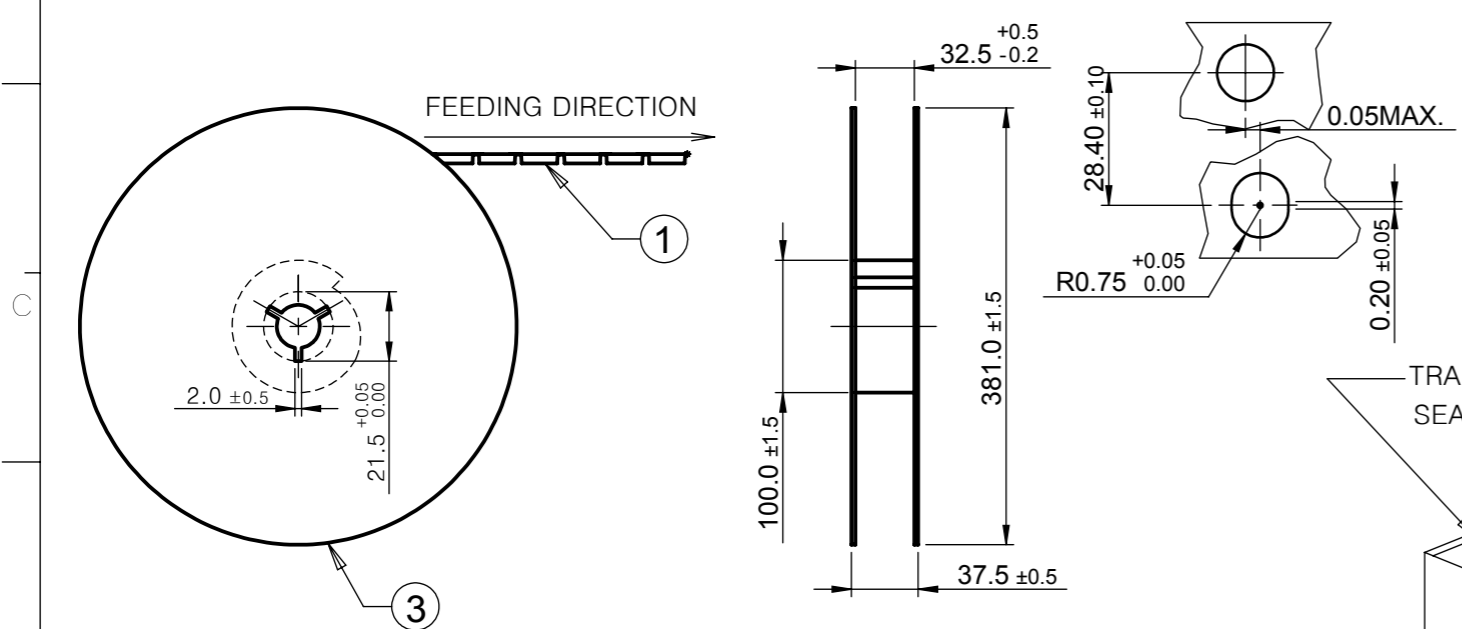
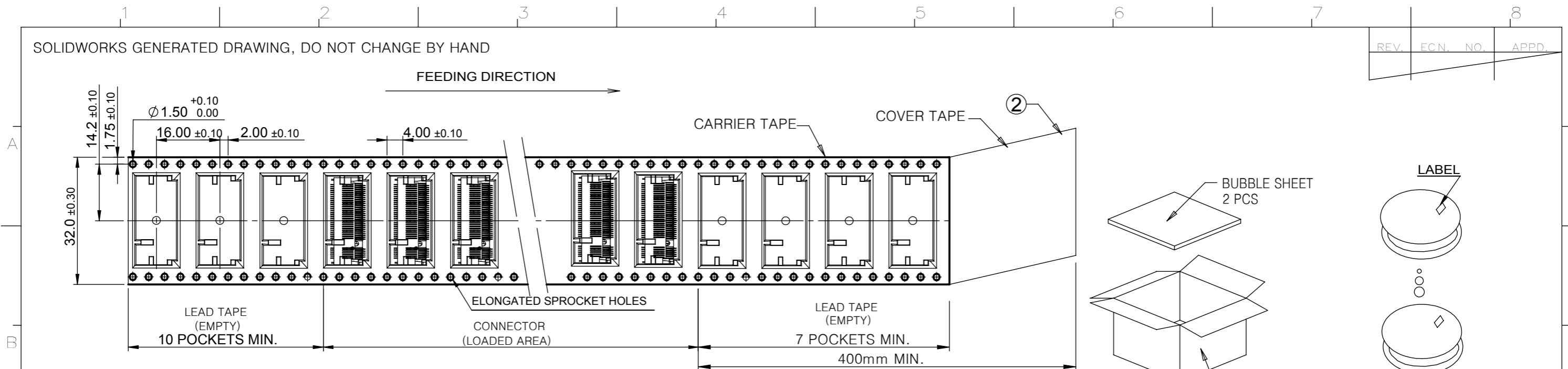
22110	108.25
2280	78.25
2260	58.25
2242	40.25
2230	28.25
3042	40.25
3030	28.25
TYPE	DIM.P

DATUM Z IS THE PCB SOLDER SURFACE

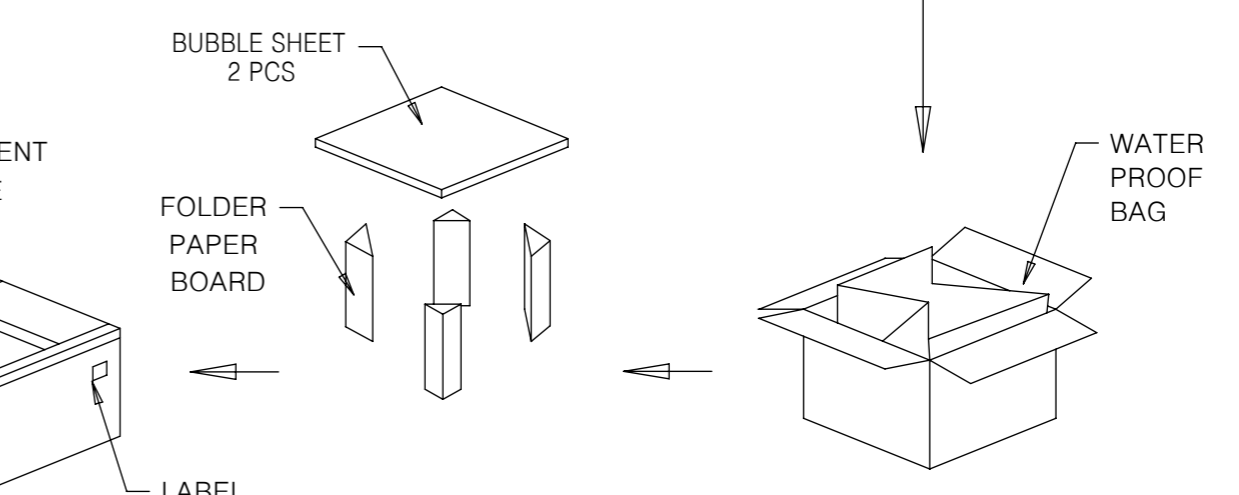
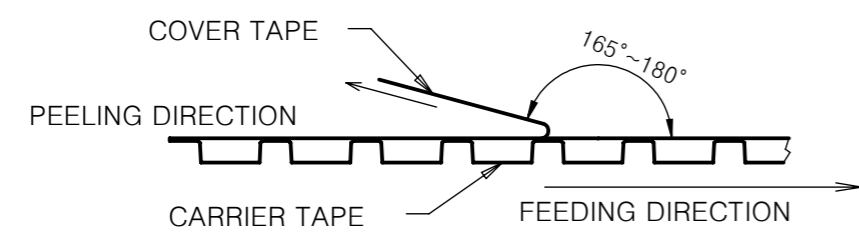
X. ± 0.15	X° ±	UNITS mm	NAME(INTENDED USE) M.2 (NGFF) CONNECTOR	FOXCONN® FOXCONN INTERCONNECT TECHNOLOGY LIMITED.
.X ± 0.10	.X° ±			
.XX ± 0.05	.XX° ±	FINISH	PART NO.(INTENDED USE) AS0BC2*-S30B*-7H	TITLE: CUSTOMER DRAWING
.XXX ±	.XXX° ±		Q'TY	APPD: C.S Li
THESE DRAWINGS AND SPECIFICATIONS ARE THE PROPERTY OF FOXCONN INTERCONNECT TECHNOLOGY LIMITED, AND SHALL NOT BE REPRODUCED, COPIED OR USED IN ANY MANNER WITHOUT THE PRIOR WRITTEN CONSENT OF FOXCONN INTERCONNECT TECHNOLOGY LIMITED.				CHKD: Alex Wang
			DR: Liping Yang 2014/5/21	

SOLIDWORKS GENERATED DRAWING, DO NOT CHANGE BY HAND

REV.	ECN. NO.	APPD.



NOTES:
 1. COVER TAPE PEELING STRENGTH : 0.01 kgf MIN & 0.13 kgf MAX. AT 300mm/min.
 2. 10 POCKETS HOLE PITCH CUMULATIVE TOLERANCE ±0.20mm.



③	REEL	POLYSTYRENE
②	COVER TAPE	POLYESTER
①	CARRIER TAPE	POLYSTYRENE
ITEM	DESCRIPTION	MATERIAL

X. ± 0.30	X° ±	UNITS mm	NAME(INTENDED USE)	FOXCONN® FOXCONN INTERCONNECT TECHNOLOGY LIMITED.
.X ± 0.20	.X° ±		M.2 (NGFF) CONNECTOR	
.XX ± 0.15	.XX° ±	MAT'L	PART NO.(INTENDED USE)	CLASS: <input type="checkbox"/> CONFIDENTIAL <input type="checkbox"/> SECRET <input checked="" type="checkbox"/> GENERAL
.XXX ±	.XXX° ±		FINISH	AS0BC2*-S30B*-7H
THESE DRAWINGS AND SPECIFICATIONS ARE THE PROPERTY OF FOXCONN INTERCONNECT TECHNOLOGY LIMITED, AND SHALL NOT BE REPRODUCED, COPIED OR USED IN ANY MANNER WITHOUT THE PRIOR WRITTEN CONSENT OF FOXCONN INTERCONNECT TECHNOLOGY LIMITED.			APPD: C.S Li	DWG NO.: 317-0000-2149
			CHKD: Alex Wang	SCALE SHEET REV. N/A 4/4 F
Q'TY			DR: Liping Yang 2014/5/21	

AS0BC2*-S30B*-7H	1200	7	8400
P/N	PCS/REEL	REEL/BOX	PCS/BOX

X-ON Electronics

Largest Supplier of Electrical and Electronic Components

Click to view similar products for [Foxconn](#) manufacturer:

Other Similar products are found below :

[2E0BC21-S64BM-7H](#) [2E0BC21-S85BM-7H](#) [2EF5497-DA9D0-8H](#) [2EF5497-DA9DB-8H](#) [2EF5B57-DA9DN-5F](#) [2EG04927-D2DB-DF](#)
[2EG04927-D2D-DF](#) [2EG04927-D2LN-DF](#) [2EG08217-D2D-DF](#) [2EG14917-D2D8-4F](#) [2EG24927-D5D1-JF](#) [2EG28213-D5D-4F](#) [2EM5407-](#)
[B19BL-8F](#) [2EZ00161-PH2-4F](#) [3H993321-4M41-01H](#) [3S000000-3L-4F](#) [3S1020F3-AD4-4F](#) [3S103823-01-7F](#) [3VD21203-H7U0-4H](#)
[3VM11201-D730-7H](#) [AH58897-T2B20-3F](#) [AS0A621-H2R6-7H](#) [AS0A621-H2S6-7H](#) [AS0A621-H8RN-7H](#) [AS0A621-H8SN-7H](#) [AS0A621-](#)
[HARN-7H](#) [AS0A621-HASN-7H](#) [AS0A626-HASN-7H](#) [AS0A626-J4R6-7H](#) [AS0A821-H2RB-7H](#) [AS0A821-H2SB-7H](#) [AS0A826-H2RB-7H](#)
[AS0A826-H2SB-7H](#) [AS0B221-S52Q-7H](#) [AS0B221-S68Q-7H](#) [AS0B221-S90Q-7H](#) [AS0B226-S99Q-7H](#) [AS0B821-S55B-7H](#) [AS0B826-S78B-](#)
[7H](#) [AS0BC21-S30BA-7H](#) [AS0BC21-S30BB-7H](#) [AS0BC21-S30BE-7H](#) [AS0BC21-S30BM-7H](#) [AS0BC21-S40BB-7H](#) [AS0BC21-S40BE-7H](#)
[AS0BC21-S48BE-7H](#) [ASAA821-EARB0-7H](#) [ASAA821-H4SB5-7H](#) [ASAA826-E8SB0-7H](#) [ASOB226-S52Q-7H](#)