

SPECIFICATIONS

Mechanical

Contact Retention Force: 0.10kg min.
Durability : 60 Cycles

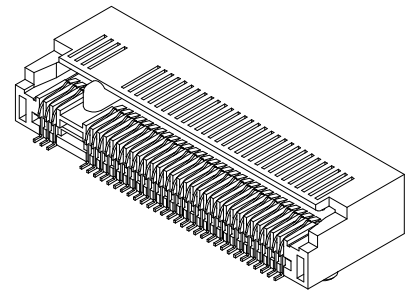
Electrical

Voltage Rating: 50V
Current Rating: 0.5A
Contact Resistance: 55mΩ max.
Dielectric Withstanding Voltage: 300V AC/1 min.
Insulation Resistance: 500MΩ

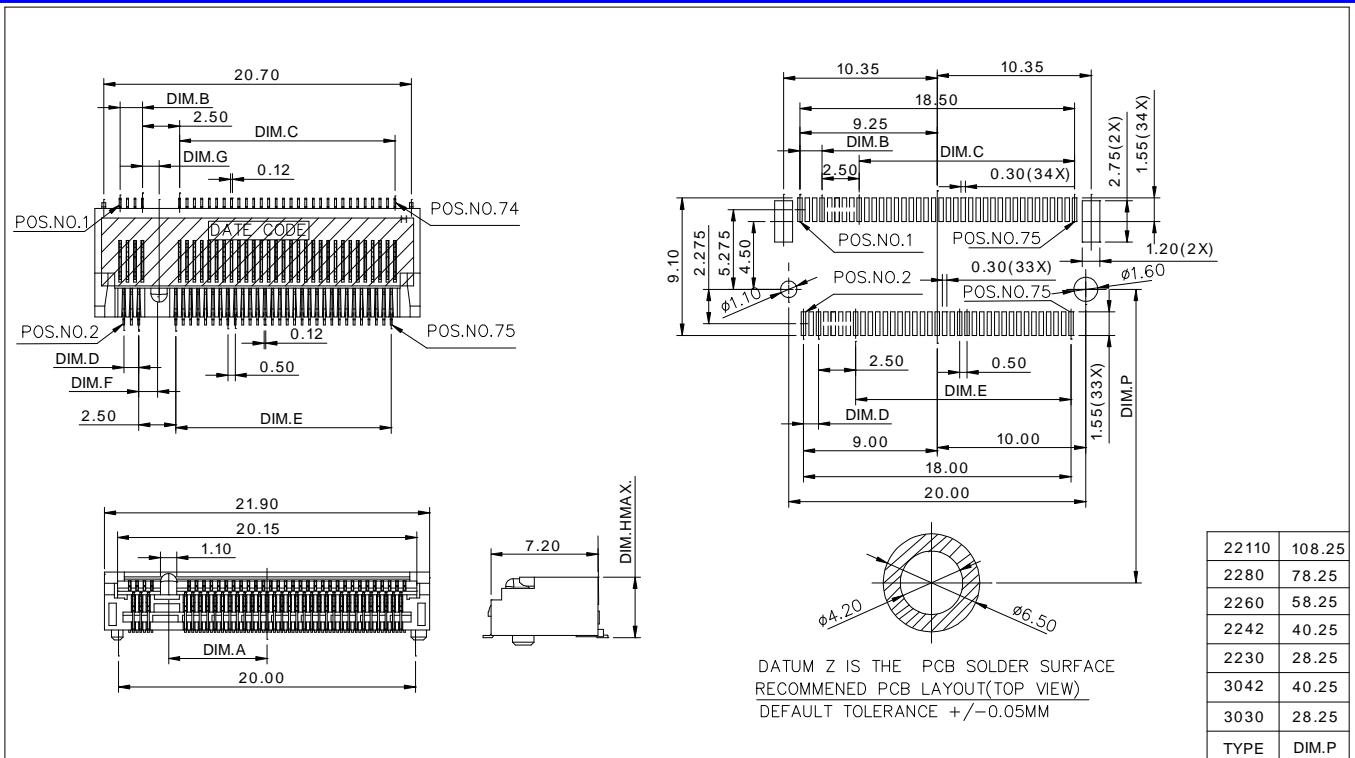
Physical

Housing: Thermoplastic, UL 94V-0 rated in Ivory Color
Contact: Copper alloy
Plating: See "ORDERING INFORMATION"
Metal Spring: Copper alloy
Operating Temperature: -40°C to +80°C

AS Series
3.0mm&4.0mm Height
SMT Type
0.50mm Pitch
75 Pos.



DRAWING



ORDERING INFORMATION

PART NO. : A S 0 B C 2 * - S ** B * - 7 H

MEMORY MODULE SOCKET — A
 HORIZONTAL TYPE — S
 SINGLE ROW — 0
 BC=0.5P NGFF — B
 SMT — C
 CONTACT AREA PLATING
 1=GOLD FLASH
 Y=5u" GOLD PLATING
 6=10u" GOLD PLATING
 7=15u" GOLD PLATING
 3=30u" GOLD PLATING

— S
 — **
 — B
 — *
 — 7
 — H

H=HALOGEN/LEAD FREE
 7=TAPE&REEL
 KEY NAME
 B=BLACK COLOR
 30=3.0mm HEIGHT
 40=4.0mm HEIGHT
 STANDARD TYPE

KEY M	-6.125	14.0	2.0	14.0	1.5	1.125	1.375	AS0BC2*-S**BM-7H
KEY E	2.625	5.5	10.50	5.0	10.5	1.375	1.125	AS0BC2*-S**BE-7H
KEY B	5.625	2.5	13.50	2.0	13.5	1.375	1.125	AS0BC2*-S**BB-7H
KEY A	6.625	1.5	14.50	1.0	14.5	1.375	1.125	AS0BC2*-S**BA-7H
KEY NAME	DIM.A	DIM.B	DIM.C	DIM.D	DIM.E	DIM.F	DIM.G	P/N

X-ON Electronics

Largest Supplier of Electrical and Electronic Components

Click to view similar products for [foxconn](#) manufacturer:

Other Similar products are found below :

[AFBR-709DMZ](#) [JPD1030-N521-4F](#) [2EGL4997-B2DM-4F](#) [AFCT-57F3ATMZ](#) [AFBR-57R6AEZ](#) [3H993921-4M41-02H](#) [DZ11A51-H8R1-4F](#)
[AFCT-739ASMZ](#) [3H993321-4M41-01H](#) [DT00151-H1A2-4F](#) [AFBR-89CEDZ](#) [UH51543-BW11-7F](#) [2EG14917-D2D8-4F](#) [JFM38U11-B313-4F](#) [LU25683-A001-9H](#) [AFBR-79EEPZ](#) [UEA11121-8FS6-4F](#) [LD1807F-S54TD](#) [UB11123-8Z4-7F](#) [AS0B226-S99Q-7H](#) [2EG08217-D2D-DF](#)
[WNMEL00-84N00-EH](#) [AFBR-5715APZ](#) [HM3512E-P2](#) [DT10121-H4W2-4F](#) [AS0A621-HARN-7H](#) [AS0A621-HASN-7H](#) [AFBR-79EIPZ-F5](#)
[AFCT-5961ATLZ](#) [AS0A621-H2S6-7H](#) [ASAA821-EARB0-7H](#) [WQ21823-DES1-7F](#) [ABCU-5740ARZ](#) [AS0BC21-S40BE-7H](#) [AFBR-5715PZ](#)
[AFBR-59R5LZ](#) [AFBR-57R5APZ](#) [AFBR-57R6APZ](#) [UEA1112C-4HK1-4H](#) [AS0B326-S78N-7F](#)