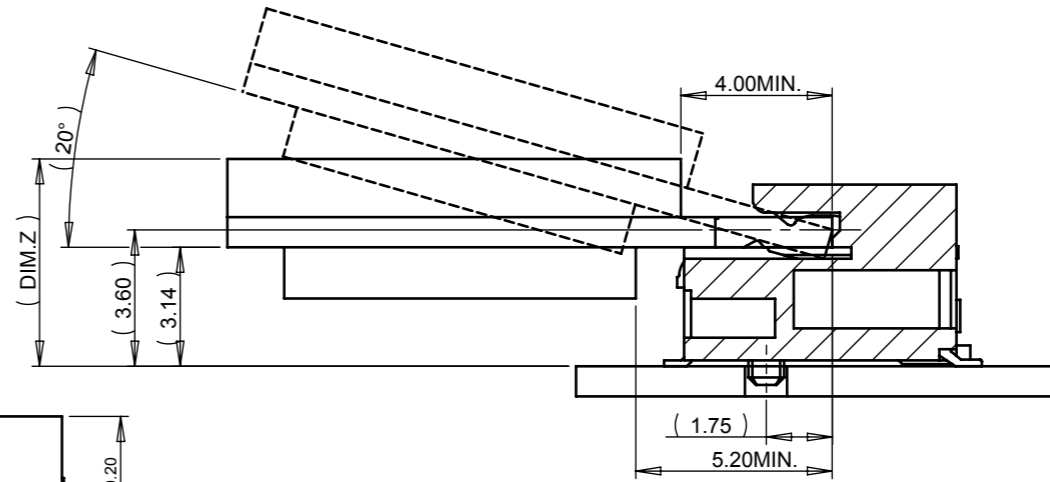
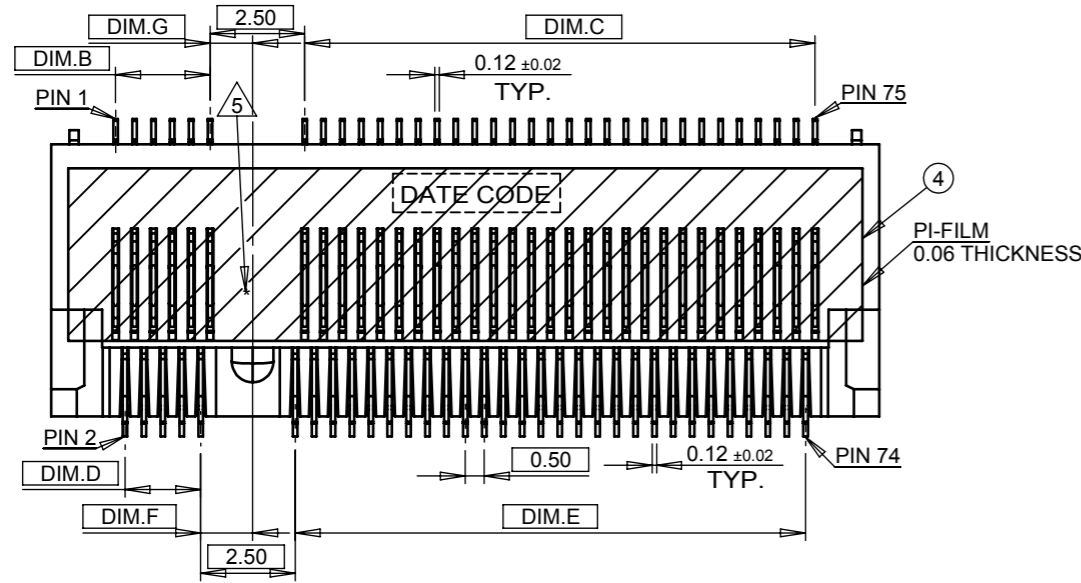


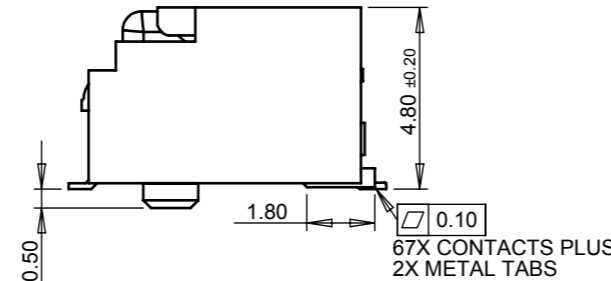
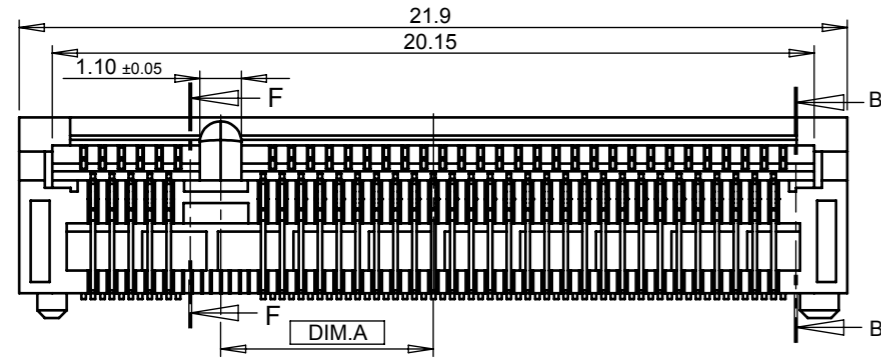
SOLIDWORK GENERATED DRAWING, DON'T CHANGE BY HAND

REV.	ECN. NO.	APPD.
A	BC-14-0068363	C.S. Li
B	BC-15-0014318	C.S. Li

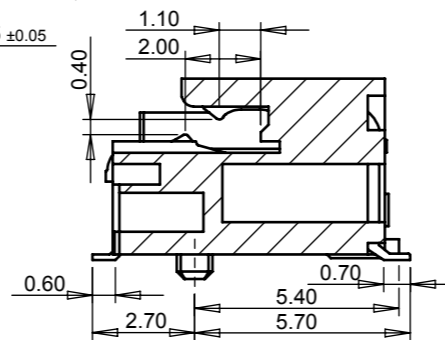
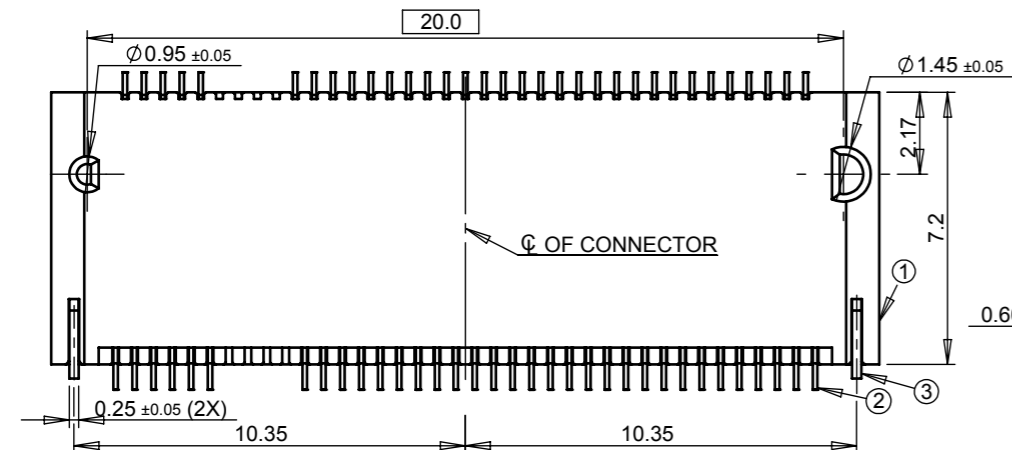
- NOTES:
- ELECTRICAL CHARACTERISTICS:
    - CONTACT CURRENT RATING: 0.5 AMPERE MAX. PER PIN.
    - VOLTAGE RATING: 50V AC.
    - INSULATION RESISTANCE :500 MEGAOHMS MIN. AT 500V DC.
    - DIELECTRIC WITHSTANDING VOLTAGE: 300V AC RMS AT 60Hz, FOR 1 MINUTE.
    - CONTACT RESISTANCE: 55 MILLIOHMS MAX. PER PIN INITIAL.  
 $\Delta R=20$  MILLIOHMS MAX. PER PIN AFTER FULL ENVIRONMENT TESTING.
  - MECHANICAL CHARACTERISTICS: DURABILITY: 60 MATING CYCLES.
  - OPERATION TEMPERATURE: -40°C TO +80°C.
  - RECOMMENDED PROCESS CONDITION: SMT, PEAK TEMPERATURE: 260°C, 10~20S.
  - KEY LABEL "\*" IS A CAPITAL LETTER PER THE PART NO.
  - PLEASE CONTACT FOXCONN SALES REPRESENTATIVE TO VERIFY PRODUCT DETAIL & AVAILABILITY.



DIM. Z MAX. (mm)	MODULE TYPE
5.14	S1&D1
5.29	S2&D2
5.44	S3&D3&D4



KEY NAME	DIM.A	DIM.B	DIM.C	DIM.D	DIM.E	DIM.F	DIM.G	P/N
KEY M	-6.125	14.0	2.0	14.0	1.5	1.125	1.375	AS0BC2*-S48BM-7H
KEY L	-5.125	13.0	3.0	13.0	2.5	1.125	1.375	AS0BC2*-S48BL-7H
KEY K	-4.125	12.0	4.0	12.0	3.5	1.125	1.375	AS0BC2*-S48BK-7H
KEY J	-3.125	11.0	5.0	11.0	4.5	1.125	1.375	AS0BC2*-S48BJ-7H
KEY H	-2.125	10.0	6.0	10.0	5.5	1.125	1.375	AS0BC2*-S48BH-7H
KEY G	-1.125	9.0	7.0	9.0	6.5	1.125	1.375	AS0BC2*-S48BG-7H
KEY F	1.625	6.5	9.5	6.0	9.5	1.375	1.125	AS0BC2*-S48BF-7H
KEY E	2.625	5.5	10.5	5.0	10.5	1.375	1.125	AS0BC2*-S48BE-7H
KEY D	3.625	4.5	11.5	4.0	11.5	1.375	1.125	AS0BC2*-S48BD-7H
KEY C	4.625	3.5	12.5	3.0	12.5	1.375	1.125	AS0BC2*-S48BC-7H
KEY B	5.625	2.5	13.5	2.0	13.5	1.375	1.125	AS0BC2*-S48BB-7H
KEY A	6.625	1.5	14.5	1.0	14.5	1.375	1.125	AS0BC2*-S48BA-7H



PART NO. DIRECTION: A S 0 BC 2 \* - S 48 B \* - 7 H

MEMORY MODULE SOCKET

HORIZONTAL TYPE

SINGLE ROW

0.5P. 67POS. NGFF

SMT

CONTACT AREA PLATING  
 1=GOLD FLASH  
 Y=5u" GOLD PLATING  
 6=10u" GOLD PLATING  
 7=15u" GOLD PLATING  
 3=30u" GOLD PLATING

HALOGEN FREE & LEAD FREE

TAPE & REEL

KEY NAME

BLACK COLOR

4.8mm HEIGHT

STANDARD TYPE

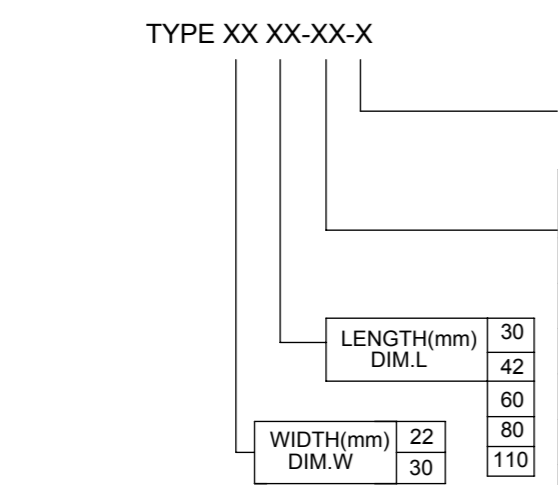
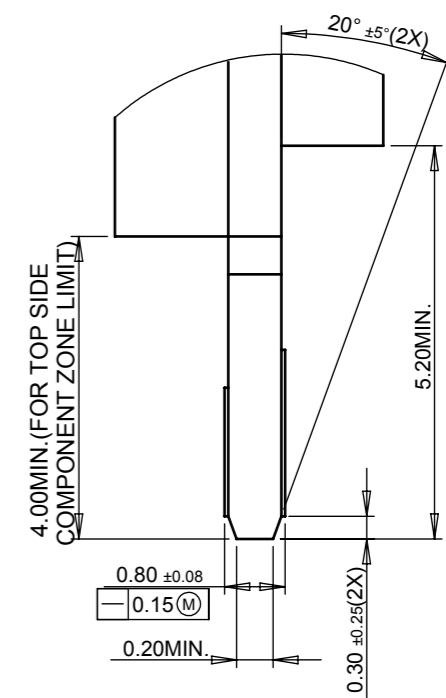
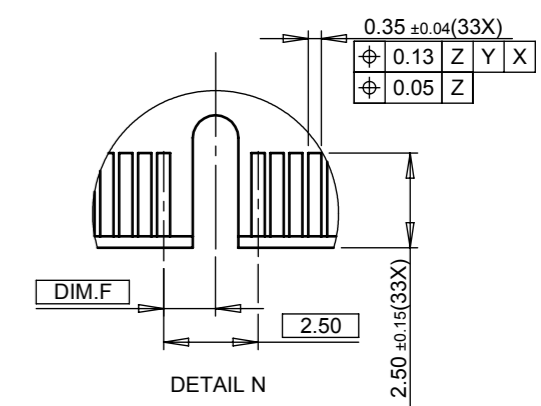
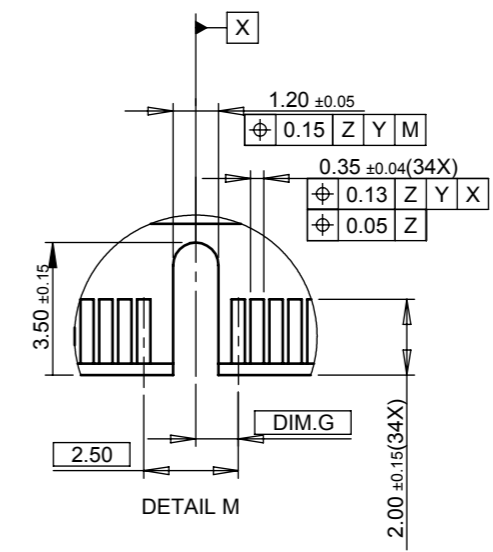
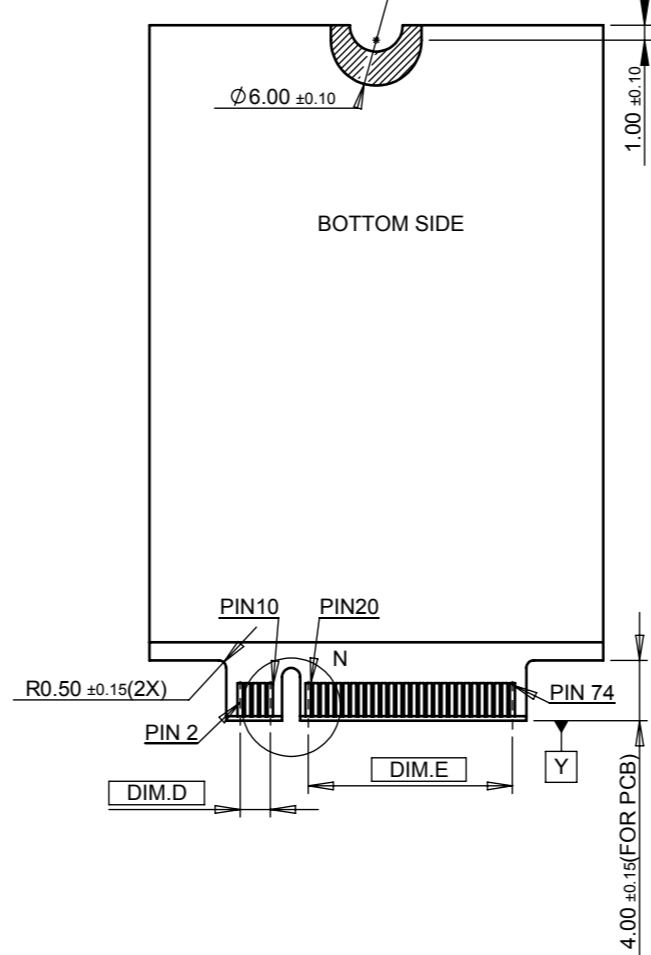
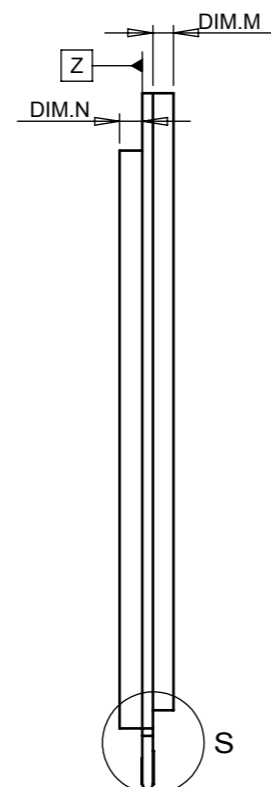
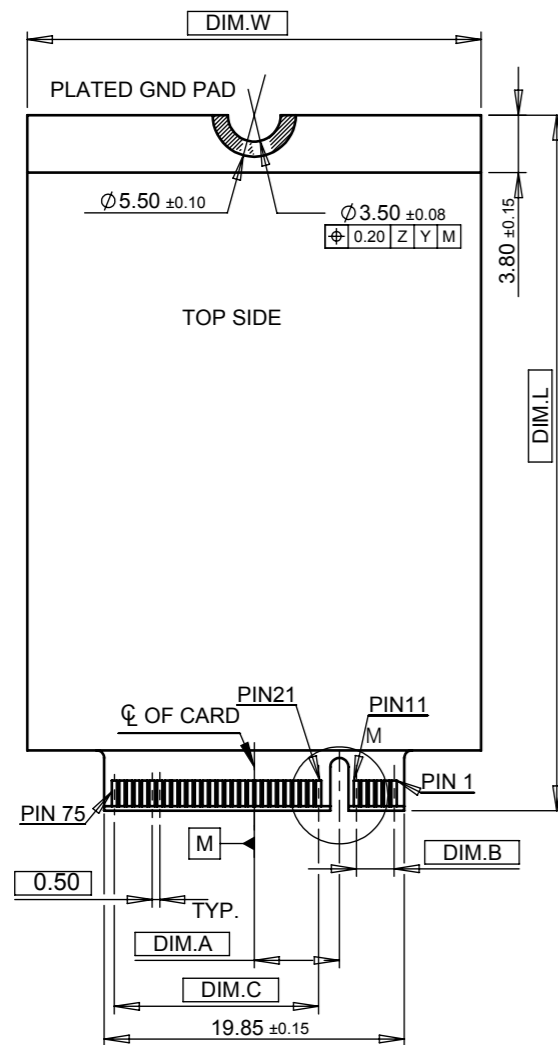
ITEM	DESCRIPTION	MATERIAL	Q'TY	TREATMENT
④	PI-FILM	POLYIMIDE	1	BROWN COLOR
③	METAL TAB	STAINLESS STEEL	2	10u" NICKEL UNDER PLATING 100u" MATTE TIN PLATING OVER ALL
②	CONTACT	COPPER ALLOY	67	50u" NICKEL UNDER PLATING GOLD FLASH PLATING AT TAIL AREA GOLD FLASH OR 5u" GOLD PLATING OR 10u" GOLD PLATING OR 15u" GOLD PLATING OR 30u" GOLD PLATING AT CONTACT AREA
①	HOUSING	THERMOPLASTIC	1	UL94V-0, HALOGEN FREE, BLACK COLOR

UNIT	VALUE	UNIT	VALUE
X	± 0.30	X°	± 2°
.X	± 0.25	.X°	± 1°
.XX	± 0.15	.XX°	±
.XXX	±	.XXX°	±

NAME (INTENDED USE)	FOXCONN®
M.2 (NGFF) CONNECTOR	FOXCONN INTERCONNECT TECHNOLOGY LIMITED.
PART NO. (INTENDED USE)	CLASS: <input type="checkbox"/> CONFIDENTIAL <input type="checkbox"/> SECRET <input checked="" type="checkbox"/> GENERAL
AS0BC2*-S48B*-7H	TITLE: CUSTOMER DRAWING
APPD: C.S Li	DWG NO.: 317-0000-2385
CHKD: Alex Wang	SCALE SHEET REV. N/A 1/4 B
DRAW: Jena Hu 2015/3/27	

THESE DRAWINGS AND SPECIFICATIONS ARE THE PROPERTY OF FOXCONN INTERCONNECT TECHNOLOGY LIMITED, AND SHALL NOT BE REPRODUCED, COPIED OR USED IN ANY MANNER WITHOUT THE PRIOR WRITTEN CONSENT OF FOXCONN INTERCONNECT TECHNOLOGY LIMITED.

REV.	ECN. NO.	APPD.



KEY ID

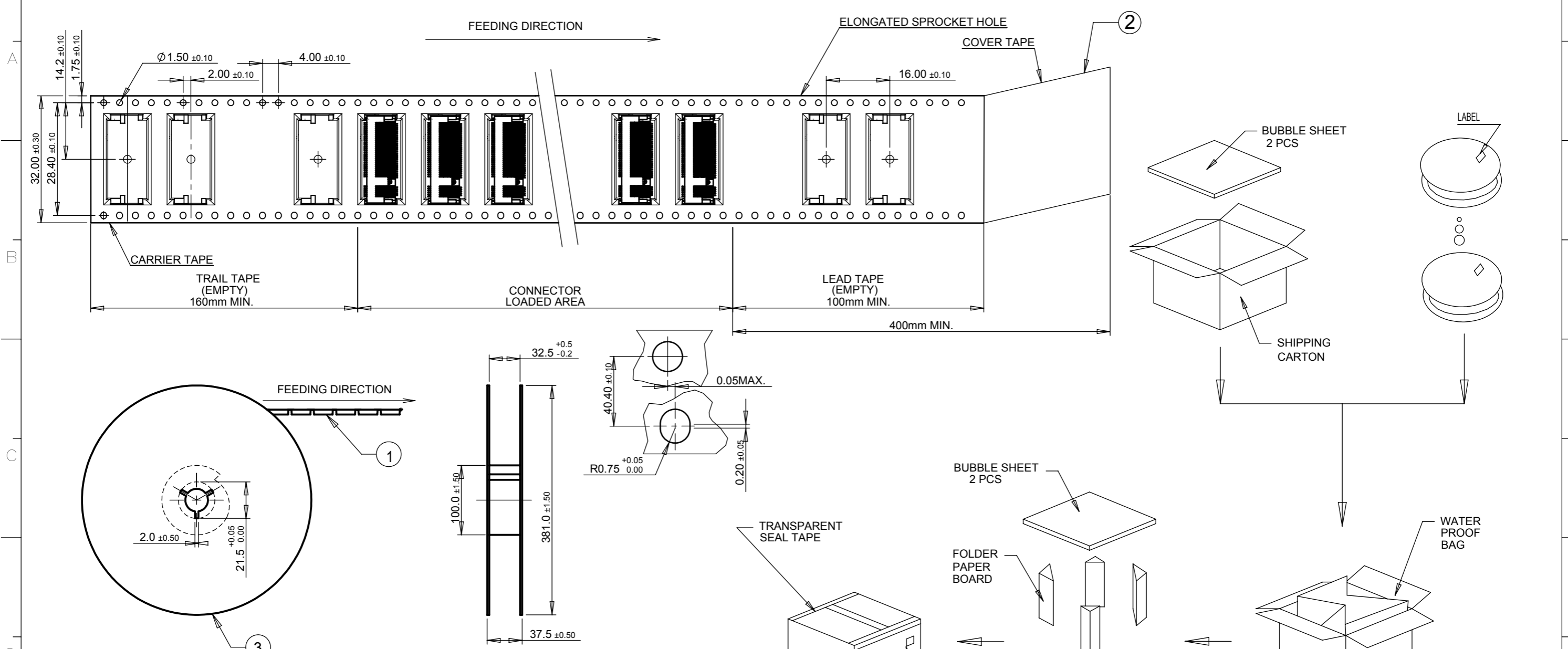
	COMPONENT MAX HEIGHT(mm)	
	DIM.N	DIM.M
S1	1.2	0
S2	1.35	0
S3	1.5	0
D1	1.2	1.35
D2	1.35	1.35
D3	1.5	1.35
D4	1.5	0.7
D5	1.5	1.5

X. ± 0.15	X° ±	UNITS mm	NAME(INTENDED USE)	<b>FOXCONN®</b> FOXCONN INTERCONNECT TECHNOLOGY LIMITED.
.X ± 0.10	.X° ±		M.2( NGFF) CONNECTOR	
.XX ± 0.05	.XX° ±	FINISH	PART NO.(INTENDED USE)	CLASS: <input type="checkbox"/> CONFIDENTIAL <input type="checkbox"/> SECRET <input checked="" type="checkbox"/> GENERAL
.XXX ±	.XXX° ±		AS0BC2*-S48B*-7H	TITLE: CUSTOMER DRAWING
THESE DRAWINGS AND SPECIFICATIONS ARE THE PROPERTY OF FOXCONN INTERCONNECT TECHNOLOGY LIMITED, AND SHALL NOT BE REPRODUCED, COPIED OR USED IN ANY MANNER WITHOUT THE PRIOR WRITTEN CONSENT OF FOXCONN INTERCONNECT TECHNOLOGY LIMITED.			APPD: C.S Li	DWG NO.:
			CHKD: Alex Wang	317-0000-2385
DRAW: Jena Hu 2015/3/27			SCALE	SHEET
			N/A	2/4
			REV.	B

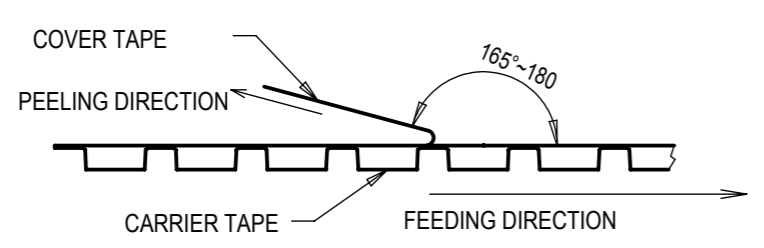


SOLIDWORK GENERATED DRAWING, DON'T CHANGE BY HAND

REV.	ECN. NO.	APPD.



NOTES:  
 1. COVER TAPE PEELING STRENGTH : 0.01 kgf MIN & 0.13 kgf MAX. AT 300mm/min.  
 2. 10 POKETS HOLE PITCH CUMULATIVE TOLERANCE ±0.20mm.



③	REEL	POLYSTYRENE
②	COVER TAPE	POLYESTER
①	CARRIER TAPE	POLYSTYRENE
ITEM	DESCRIPTION	MATERIAL

X. ± 0.30	X° ±	UNITS mm	NAME(INTENDED USE)	<b>FOXCONN®</b> FOXCONN INTERCONNECT TECHNOLOGY LIMITED.
.X ± 0.25	.X° ±		M.2( NGFF) CONNECTOR	
.XX ± 0.15	.XX° ±		PART NO.(INTENDED USE)	
.XXX ±	.XXX° ±		AS0BC2*-S48B*-7H	
THESE DRAWINGS AND SPECIFICATIONS ARE THE PROPERTY OF FOXCONN INTERCONNECT TECHNOLOGY LIMITED, AND SHALL NOT BE REPRODUCED, COPIED OR USED IN ANY MANNER WITHOUT THE PRIOR WRITTEN CONSENT OF FOXCONN INTERCONNECT TECHNOLOGY LIMITED.			APPD: C.S Li	DWG NO.: 317-0000-2385
			CHKD: Alex Wang	SCALE SHEET REV. N/A 4/4 B
			DRAW: Jena Hu 2015/3/27	

AS0BC2*-S48B*-7H	900	7	6300
P/N	PCS/REEL	REEL/BOX	PCS/BOX

## X-ON Electronics

Largest Supplier of Electrical and Electronic Components

*Click to view similar products for [Foxconn](#) manufacturer:*

Other Similar products are found below :

[AS0A821-H2RB-7H](#) [PE41897-01NK5-1H](#) [JFM3811J-G140-4F](#) [QT012206-1031-2H](#) [UC11123-11KB-4F](#) [UEA11123-8EZ3-4H](#) [2EG04927-D2LN-DF](#) [SJ05201-A0](#) [UEA11123-QHD6-4H](#) [UB1112C-8FDE-4F](#) [3H993321-4M41-01H](#) [ATF5883-A2B30-2F](#) [ATF5883-A2B20-2F](#) [WNMBL60-1NNK0-EH](#) [WNMBP06-01NK0-EH](#) [HM3505E-P1](#) [AH58897-T2B20-3F](#) [DZ11AA1-H5A7-4F](#) [ASAA821-H4SB5-7H](#) [PE36473-01NK3-1H](#) [PE36473-01NK4-1H](#) [QH11121-DBT1-4F](#) [BBH1231-C1000-7H](#) [ATH4017-H3B-4F](#) [3S1020F3-AD4-4F](#) [2EF5B57-DA9DN-5F](#) [UEA01123-4FH1-4H](#) [2EM5407-B19BL-8F](#) [LU11683-B007-9H](#) [HB3106F](#) [LDH2363-33N20-7H](#) [ATH4017-H9LE-4F](#) [UEA1112C-UHS6-4F](#) [2EF5497-DA9DB-8H](#) [LDP2683-13A50-9H](#) [JPD1030-M301-7F](#) [2E0BC21-S64BM-7H](#) [2EZ00161-PH2-4F](#) [HC11051-D4](#) [LD1807F-S54TD](#) [2EG24927-D5D1-JF](#) [ASOB226-S52Q-7H](#) [AS0A626-HASN-7H](#) [HF5504E-P1LH](#) [JA634C-40ADA5B-7H](#) [AS0A621-H2R6-7H](#) [QT002206-4131-3H](#) [JFM24U11-21C3-4F](#) [EH06003-DAW-DF](#) [AS0B221-S52Q-7H](#)