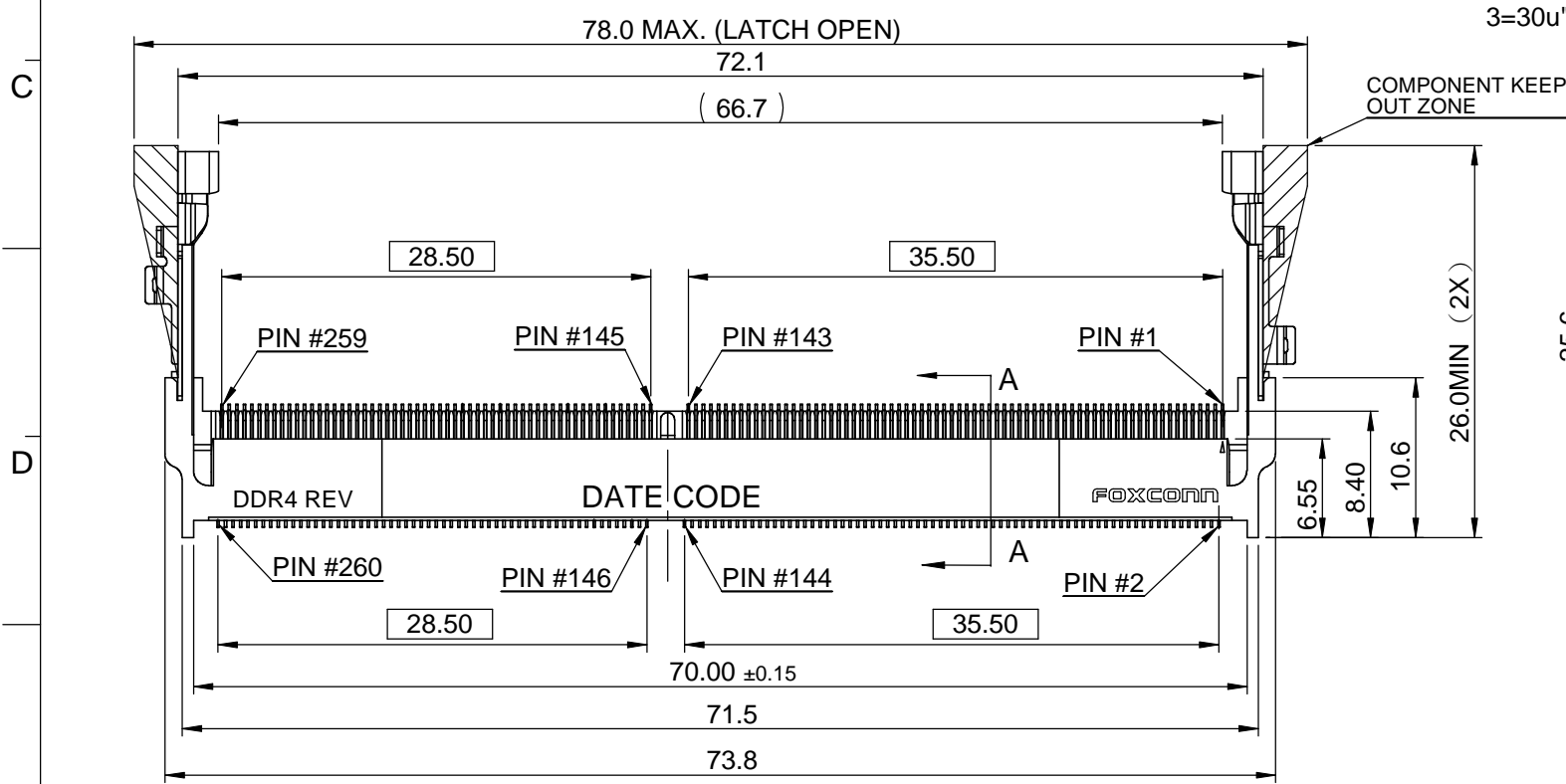
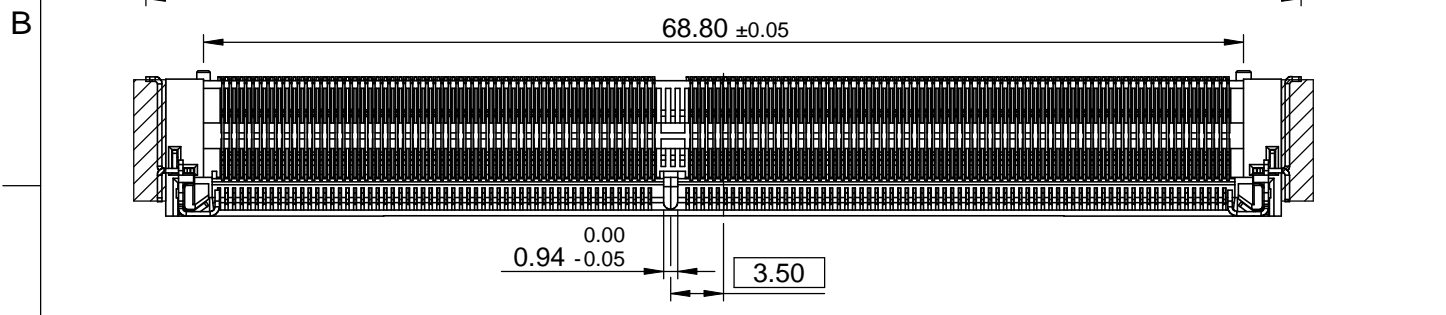
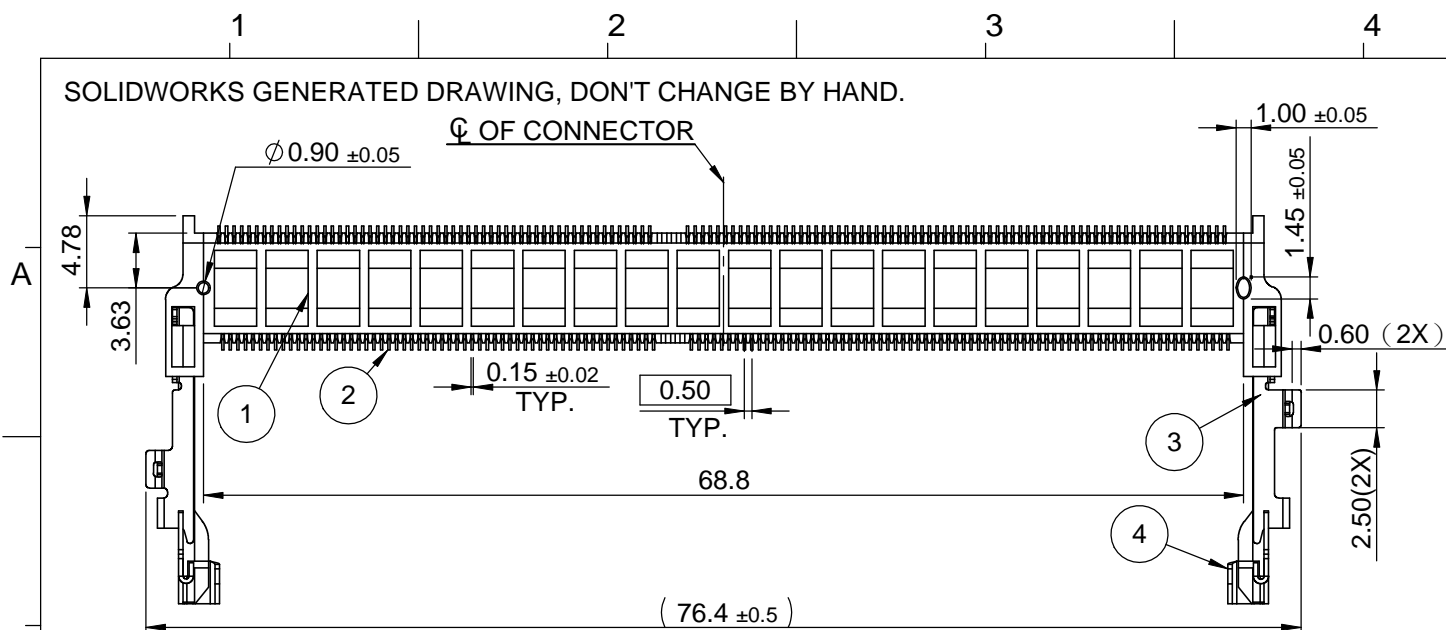


SOLIDWORKS GENERATED DRAWING, DON'T CHANGE BY HAND.

REV.	ECN. NO.	APPD.
A	BC-15-0029745	C.S Li



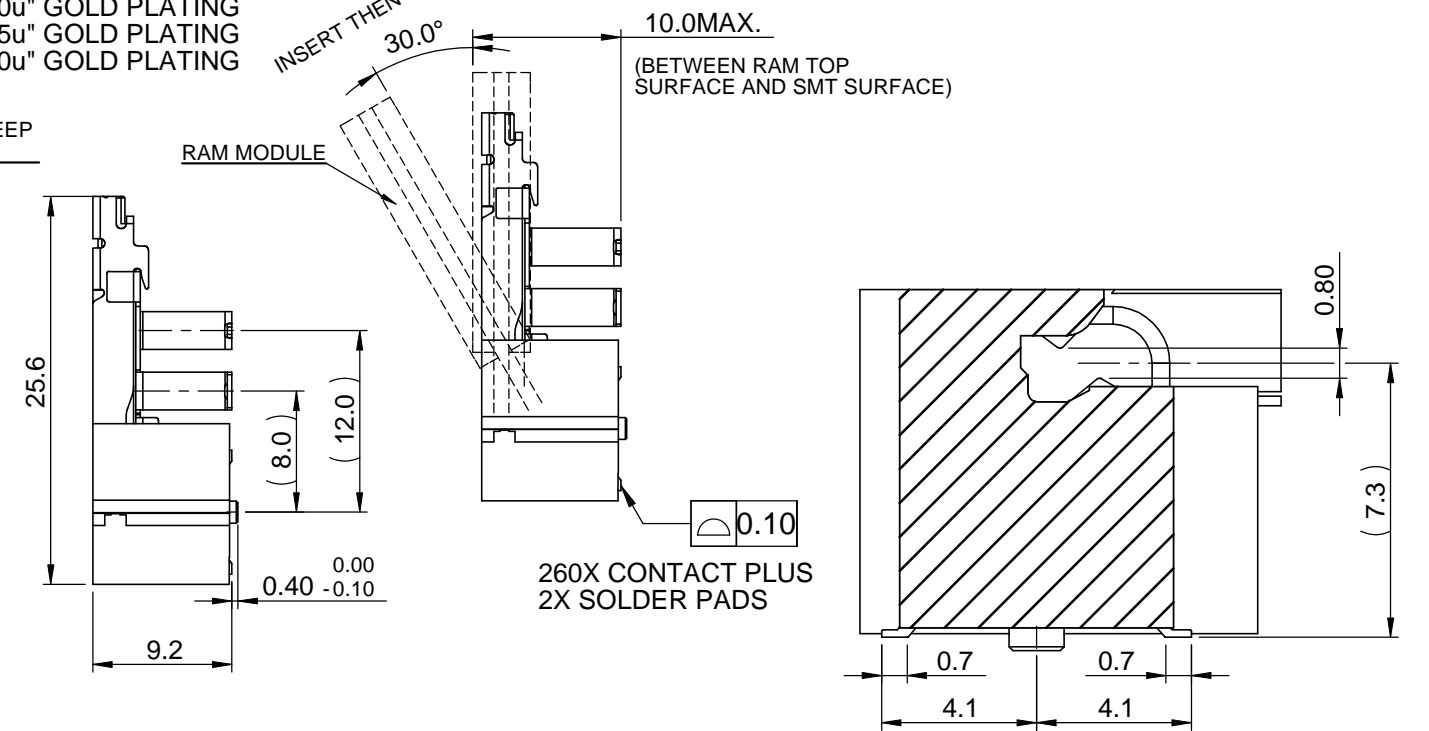
- NOTES:
- ELECTRICAL CHARACTERISTICS:
    - CONTACT CURRENT RATING: 0.5 AMPERE MAX. PER PIN.
    - VOLTAGE RATING: 25V AC.
    - INSULATION RESISTANCE: 100 MEGAOHMS MIN. AT 500V DC.
    - DIELECTRIC WITHSTANDING VOLTAGE: 250V AC RMS AT 60Hz, FOR 1 MINUTE.
    - CONTACT RESISTANCE: 60 MILLIOHMS MAX. PER PIN INITIAL  
 $\Delta$ 10 MILLIOHMS PER PIN AFTER FULL ENVIRONMENTAL TESTING.
  - MECHANICAL CHARACTERISTICS: DURABILITY: 60 MATING CYCLES.
  - OPERATION TEMPERATURE: -55 °C TO +85 °C.
  - RECOMMENDED PROCESS CONDITION: SMT, PEAK TEMPERATURE: 260 °C 10~20S.
  - PLEASE CONTACT FOXCONN SALES REPRESENTATIVE TO VERIFY PRODUCT DETAILS & AVAILABILITY.

MEMORY MODULE SOCKET  
 DDR SODIMM  
 NO. OF POS.  
 A8=260 POS.  
 SMT

CONTACT AREA PLATING  
 1=GOLD FLASH  
 Y=5u" GOLD PLATING  
 6=10u" GOLD PLATING  
 7=15u" GOLD PLATING  
 3=30u" GOLD PLATING

AS A A8 2 \* - E A R B 0 - \* H

H=HALOGEN FREE & LEAD FREE  
 7=TAPE REEL  
 4=SOFT TRAY  
 0=EXTENSION CODE  
 B=NORMAL TYPE, BLACK COLOR  
 R=REVERSE  
 A=9.2MM HEIGHT  
 E=DDR SODIMM



SECTION A-A

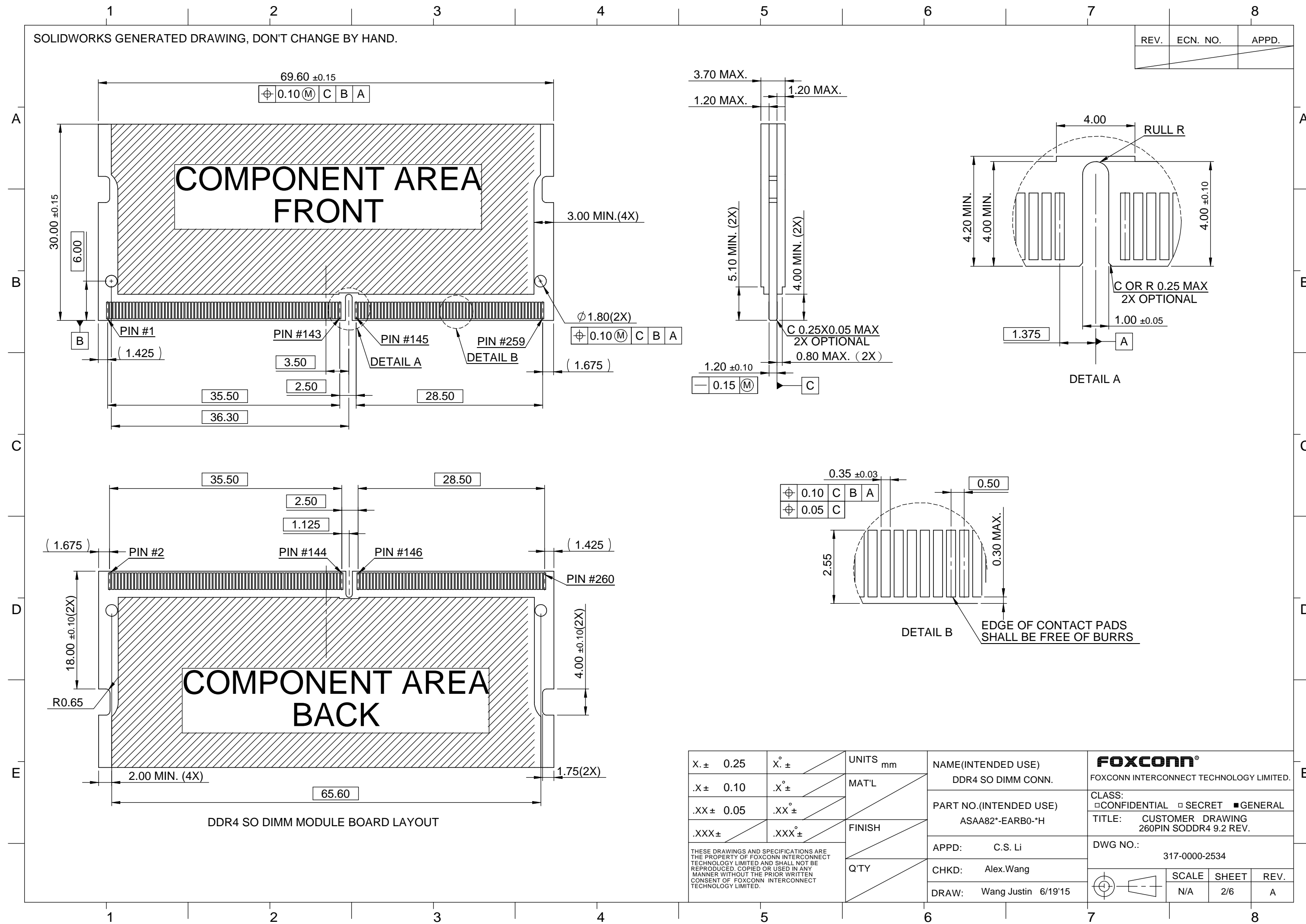
ITEM	DESCRIPTION	Q'TY	METERIAL	TREATMENT
4	METAL SPRING	2	STAINLESS STEEL	ULTRASONIC CLEANING
3	METAL PAD	2	STAINLESS STEEL	10u" NICKEL UNDER PLATING 100u" MATTE TIN PLATING OVER SOLDER PAD AREA.
2	CONTACT	260	PHOSPHOR BRONZE	50u" NICKEL UNDER PLATING GOLD FLASH OR 5u" OR 10u" OR 15u" OR 30u" GOLD PLATING AT CONTACT AREA; GOLD FLASH PLATING AT TAIL
1	HOUSING	1	LCP	UL94V-0, HALOGEN FREE, BLACK COLOR

X. ± 0.30	X° ±	UNITS mm	NAME (INTENDED USE) DDR4 SO DIMM CONN.	<b>FOXCONN®</b> FOXCONN INTERCONNECT TECHNOLOGY LIMITED. CLASS: <input type="checkbox"/> CONFIDENTIAL <input type="checkbox"/> SECRET <input checked="" type="checkbox"/> GENERAL TITLE: CUSTOMER DRAWING 260PIN SODDR4 9.2 REV. DWG NO.: 317-0000-2534
.X ± 0.25	.X° ±			
.XX ± 0.15	.XX° ±	FINISH	PART NO. (INTENDED USE) ASAA82*-EARB0-*H	
.XXX ±	.XXX° ±		APPD: C.S. Li	
THESE DRAWINGS AND SPECIFICATIONS ARE THE PROPERTY OF FOXCONN INTERCONNECT TECHNOLOGY LIMITED AND SHALL NOT BE REPRODUCED, COPIED OR USED IN ANY MANNER WITHOUT THE PRIOR WRITTEN CONSENT OF FOXCONN INTERCONNECT TECHNOLOGY LIMITED.			Q'TY	

SCALE	SHEET	REV.
N/A	1/6	A

SOLIDWORKS GENERATED DRAWING, DON'T CHANGE BY HAND.

REV.	ECN. NO.	APPD.



**COMPONENT AREA FRONT**

**COMPONENT AREA BACK**

DDR4 SO DIMM MODULE BOARD LAYOUT

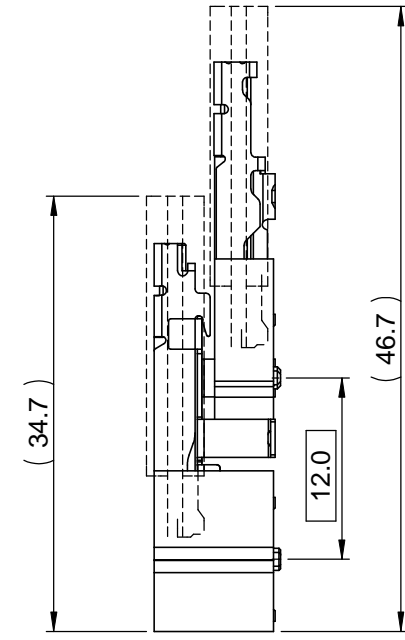
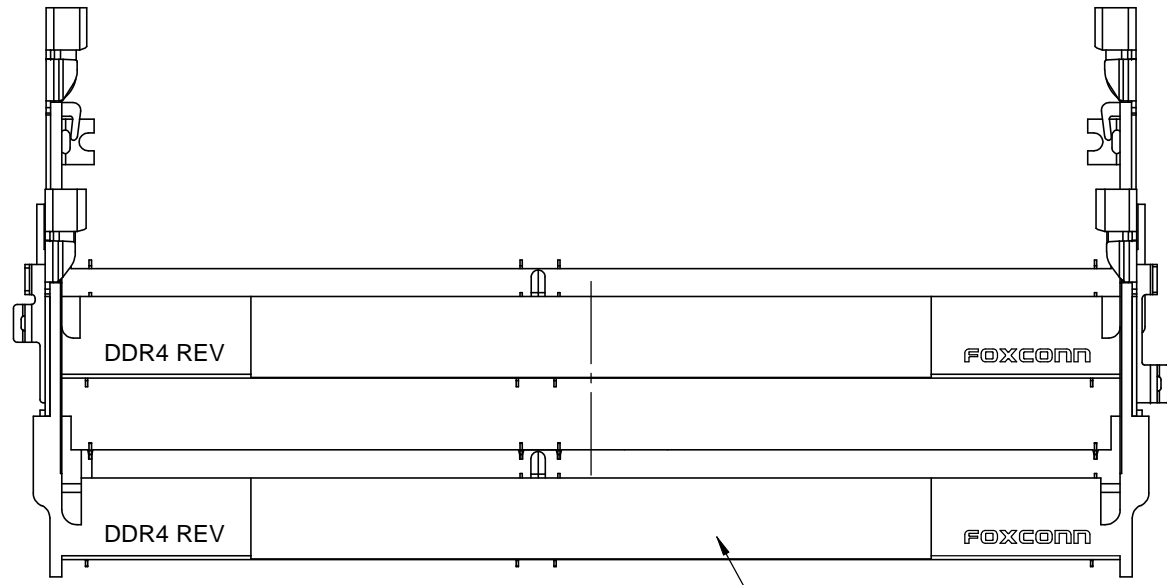
X. ± 0.25	X° ±	UNITS mm	NAME (INTENDED USE) DDR4 SO DIMM CONN.	<b>FOXCONN®</b> FOXCONN INTERCONNECT TECHNOLOGY LIMITED.			
.X ± 0.10	.X° ±	MAT'L	PART NO. (INTENDED USE) ASAA82*-EARB0-*H				
.XX ± 0.05	.XX° ±	FINISH	APPD: C.S. Li	CLASS: <input type="checkbox"/> CONFIDENTIAL <input type="checkbox"/> SECRET <input checked="" type="checkbox"/> GENERAL			
.XXX ±	.XXX° ±	Q'TY	CHKD: Alex.Wang	TITLE: CUSTOMER DRAWING 260PIN SODDDR4 9.2 REV.			
THESE DRAWINGS AND SPECIFICATIONS ARE THE PROPERTY OF FOXCONN INTERCONNECT TECHNOLOGY LIMITED AND SHALL NOT BE REPRODUCED, COPIED OR USED IN ANY MANNER WITHOUT THE PRIOR WRITTEN CONSENT OF FOXCONN INTERCONNECT TECHNOLOGY LIMITED.			DRAW: Wang Justin 6/19/15	DWG NO.: 317-0000-2534			
			<table border="1"> <tr> <th>SCALE</th> <th>SHEET</th> <th>REV.</th> </tr> <tr> <td>N/A</td> <td>2/6</td> <td>A</td> </tr> </table>		SCALE	SHEET	REV.
SCALE	SHEET	REV.					
N/A	2/6	A					

SOLIDWORKS GENERATED DRAWING, DON'T CHANGE BY HAND.

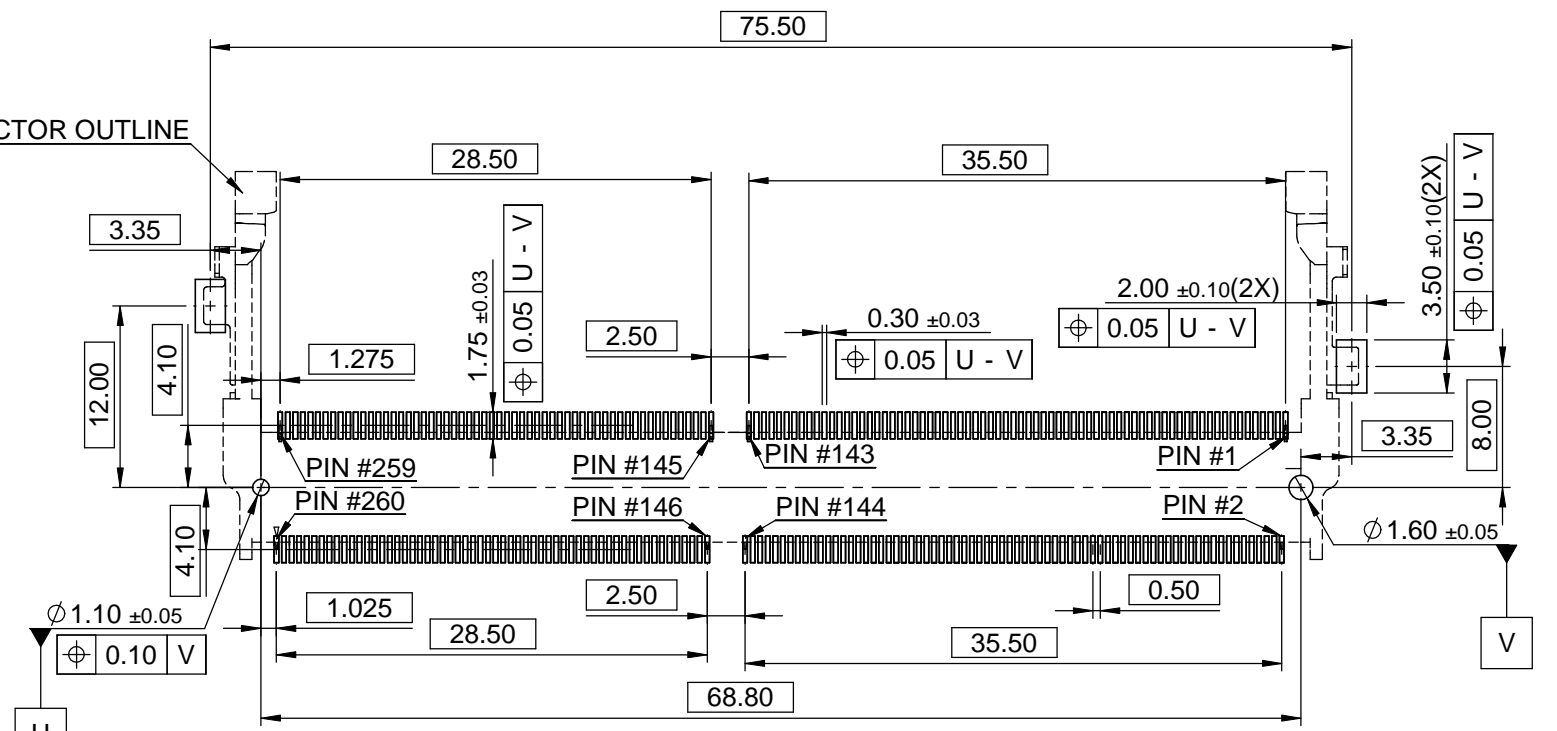
REV.	ECN. NO.	APPD.

A  
B  
C  
D  
E

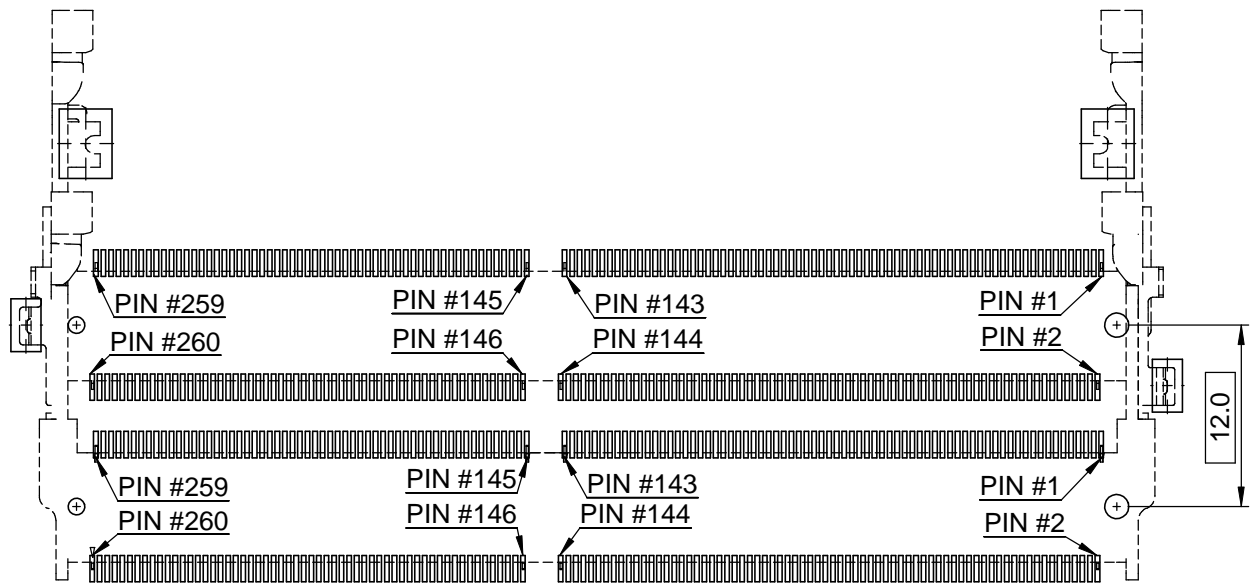
A  
B  
C  
D  
E



CONNECTOR OUTLINE



P.C.B. LAYOUT (RECOMMEND THICKNESS = 1.40MM)

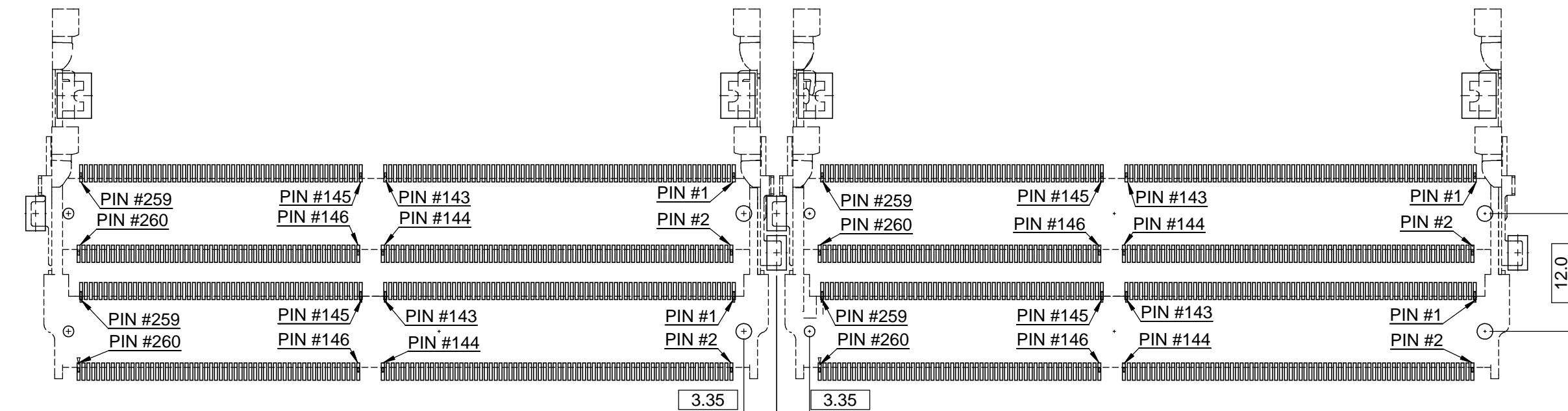
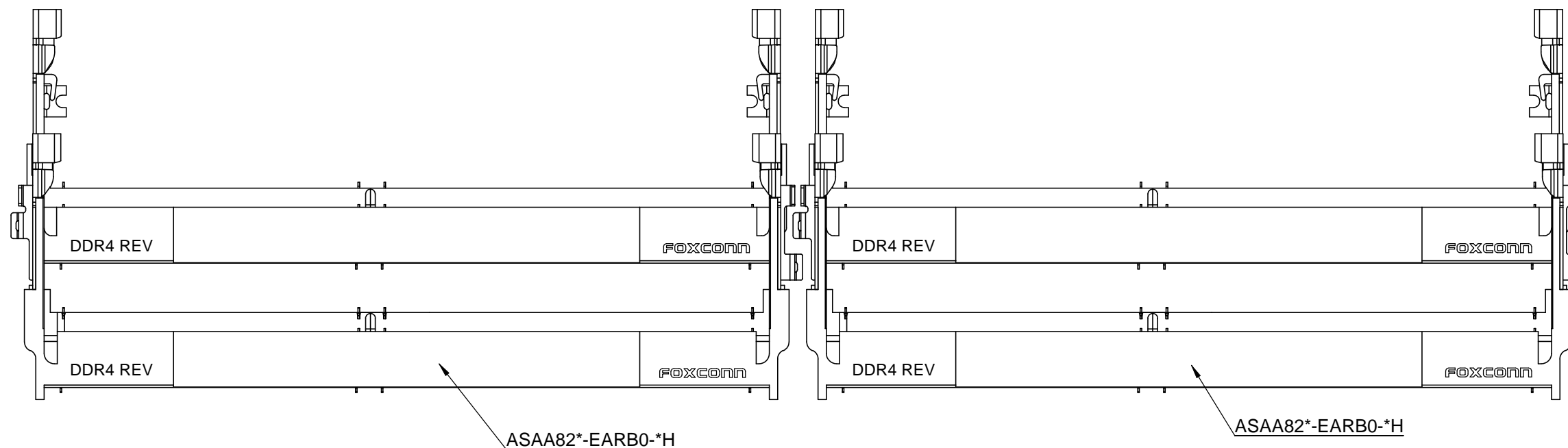


X. ± 0.25	X° ±	UNITS mm	NAME (INTENDED USE) DDR4 SO DIMM CONN.	<b>FOXCONN®</b> FOXCONN INTERCONNECT TECHNOLOGY LIMITED.
.X ± 0.10	.X° ±			
.XX ± 0.05	.XX° ±	FINISH	PART NO. (INTENDED USE) ASAA82*-EARB0*-H	TITLE: CUSTOMER DRAWING 260PIN SODDR4 9.2 REV.
.XXX ±	.XXX° ±			Q'TY
THESE DRAWINGS AND SPECIFICATIONS ARE THE PROPERTY OF FOXCONN INTERCONNECT TECHNOLOGY LIMITED AND SHALL NOT BE REPRODUCED, COPIED OR USED IN ANY MANNER WITHOUT THE PRIOR WRITTEN CONSENT OF FOXCONN INTERCONNECT TECHNOLOGY LIMITED.			CHKD: Alex.Wang	
DRAW: Wang Justin 6/19'15				

1 2 3 4 5 6 7 8

SOLIDWORKS GENERATED DRAWING, DON'T CHANGE BY HAND.

REV.	ECN. NO.	APPD.

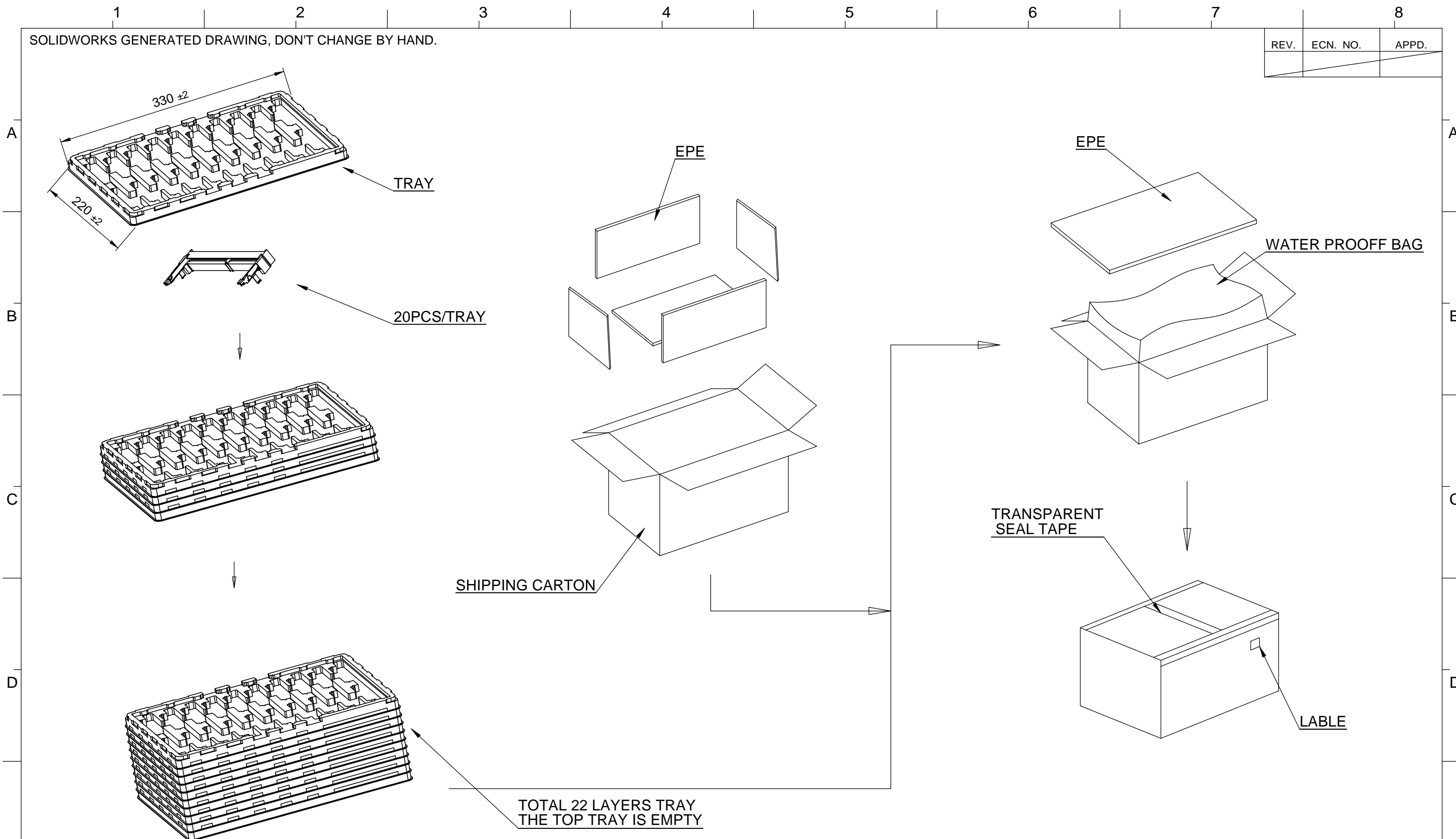


P.C.B. LAYOUT(DUAL COMPRESSED STACKED ORIENTATION)

X. ± 0.25	X° ±	UNITS mm	NAME (INTENDED USE) DDR4 SO DIMM CONN.	<b>FOXCONN®</b> FOXCONN INTERCONNECT TECHNOLOGY LIMITED.
.X ± 0.10	.X° ±			
.XX ± 0.05	.XX° ±	FINISH	PART NO. (INTENDED USE) ASAA82*-EARB0-*H	TITLE: CUSTOMER DRAWING 260PIN SODDDR4 9.2 REV.
.XXX ±	.XXX° ±		Q'TY	APPD: C.S. Li
THESE DRAWINGS AND SPECIFICATIONS ARE THE PROPERTY OF FOXCONN INTERCONNECT TECHNOLOGY LIMITED AND SHALL NOT BE REPRODUCED, COPIED OR USED IN ANY MANNER WITHOUT THE PRIOR WRITTEN CONSENT OF FOXCONN INTERCONNECT TECHNOLOGY LIMITED.				CHKD: Alex.Wang
			DRAW: Wang Justin 6/19/15	

SOLIDWORKS GENERATED DRAWING, DON'T CHANGE BY HAND.

REV.	ECN. NO.	APPD.



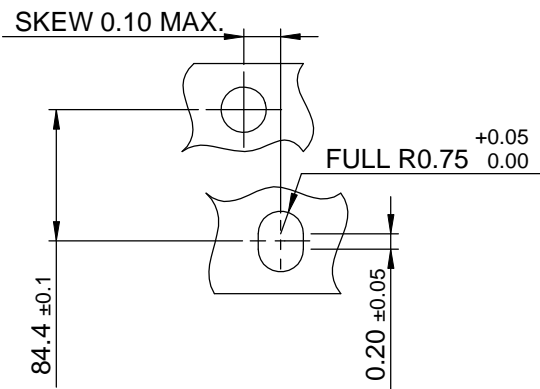
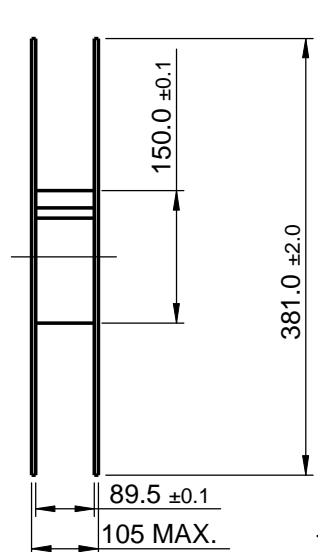
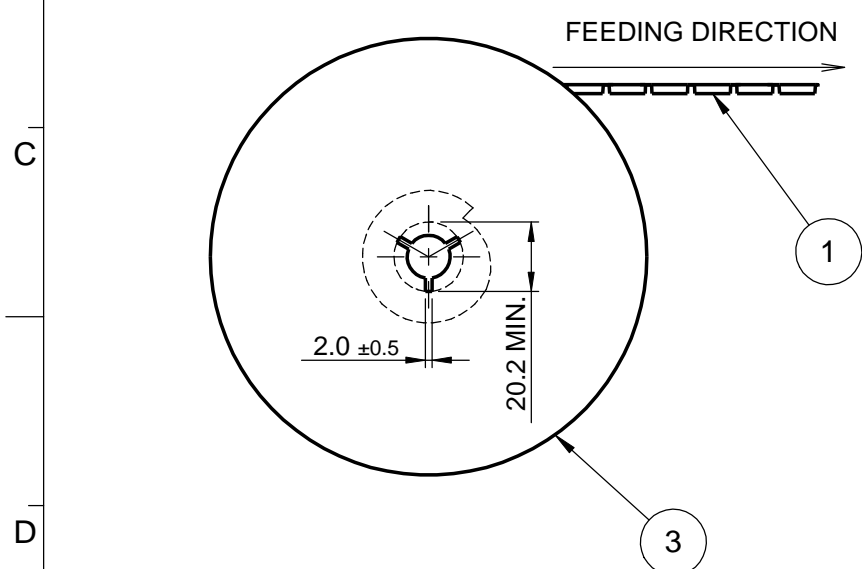
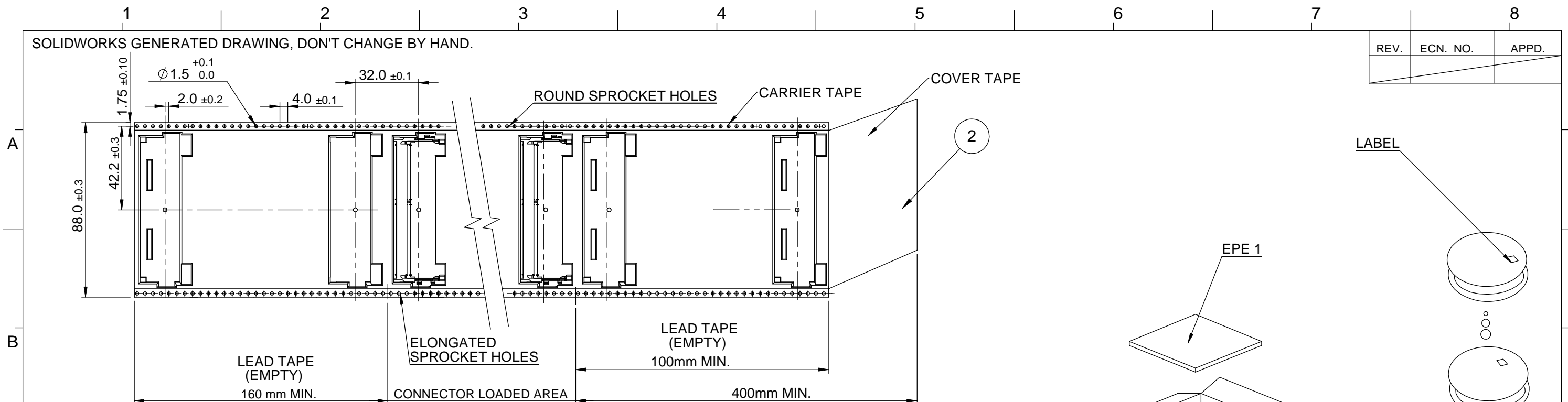
PACKING CAPACITY : 20 PCS/TRAY, 21 TRAYS/BOX,  
TOTAL 420 PCS/BOX.

CONNECTOR P/N ASAA82\*-EARB0-4H

X. ± 1.5	X° ±	UNITS mm	NAME (INTENDED USE) DDR4 SO DIMM CONN.	<b>FOXCONN®</b> FOXCONN INTERCONNECT TECHNOLOGY LIMITED.
.X ± 1.0	.X° ±	MAT'L	PART NO. (INTENDED USE) ASAA82*-EARB0-*H	
.XX ± 0.2	.XX° ±	FINISH	APPD: C.S. Li	CLASS: <input type="checkbox"/> CONFIDENTIAL <input type="checkbox"/> SECRET <input checked="" type="checkbox"/> GENERAL
.XXX ±	.XXX° ±	Q'TY	CHKD: Alex.Wang	TITLE: CUSTOMER DRAWING 260PIN SODDR4 9.2 REV.
THESE DRAWINGS AND SPECIFICATIONS ARE THE PROPERTY OF FOXCONN INTERCONNECT TECHNOLOGY LIMITED AND SHALL NOT BE REPRODUCED, COPIED OR USED IN ANY MANNER WITHOUT THE PRIOR WRITTEN CONSENT OF FOXCONN INTERCONNECT TECHNOLOGY LIMITED.			DRAW: Wang Justin 6/19'15	DWG NO.: 317-0000-2534

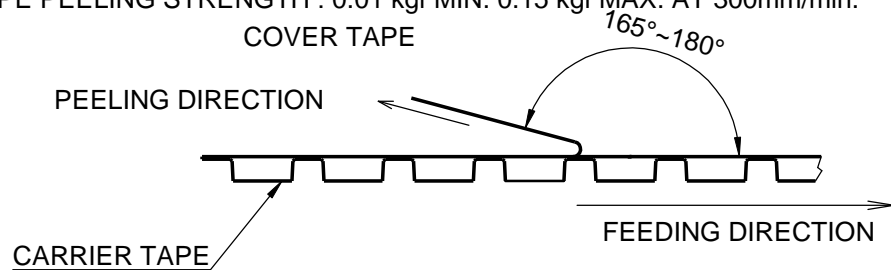
SOLIDWORKS GENERATED DRAWING, DON'T CHANGE BY HAND.

REV.	ECN. NO.	APPD.



NOTES:

- 10 POCKETS HOLE PITCH CUMULATIVE TOLERANCE ±0.20mm.
- COVER TAPE PEELING STRENGTH : 0.01 kgf MIN. 0.15 kgf MAX. AT 300mm/min.



3. PACKING CAPACITY : 230 PCS/REEL, 3 REELS/BOX, TOTAL 690 PCS/BOX.

3	REEL	POLYSTYRENE
2	COVER TAPE	POLYESTER
1	CARRIER TAPE	POLYSTYRENE
ITEM	DESCRIPTION	MATERIAL

X. ± 1.5	X° ±	UNITS mm	NAME (INTENDED USE) DDR4 SO DIMM CONN.	<b>FOXCONN®</b> FOXCONN INTERCONNECT TECHNOLOGY LIMITED.
.X ± 1.0	.X° ±	MAT'L	PART NO. (INTENDED USE) ASAA82*-EARB0-*H	
.XX ± 0.2	.XX° ±	FINISH	APPD: C.S. Li	CLASS: <input type="checkbox"/> CONFIDENTIAL <input type="checkbox"/> SECRET <input checked="" type="checkbox"/> GENERAL
.XXX ±	.XXX° ±	Q'TY	CHKD: Alex.Wang	TITLE: CUSTOMER DRAWING 260PIN SODDR4 9.2 REV.
THESE DRAWINGS AND SPECIFICATIONS ARE THE PROPERTY OF FOXCONN INTERCONNECT TECHNOLOGY LIMITED AND SHALL NOT BE REPRODUCED, COPIED OR USED IN ANY MANNER WITHOUT THE PRIOR WRITTEN CONSENT OF FOXCONN INTERCONNECT TECHNOLOGY LIMITED.			DRAW: Wang Justin 6/19'15	DWG NO.: 317-0000-2534
CONNECTOR P/N ASAA82*-EARB0-7H		SCALE SHEET REV. N/A 6/6 A		

## X-ON Electronics

Largest Supplier of Electrical and Electronic Components

*Click to view similar products for [Standard Card Edge Connectors](#) category:*

*Click to view products by [Foxconn](#) manufacturer:*

Other Similar products are found below :

[CR7E-30DB-3.96E\(72\)](#) [6364499-1](#) [6565204-6](#) [147889-1](#) [EBT15622B2X](#) [1-582587-1](#) [284-0102-12100](#) [286-0052-12101A](#) [306022901000000](#)  
[307-012-502-202](#) [307-056-520-300](#) [A6D22DS29C2](#) [1926088-2](#) [2129318-1](#) [287-0032-12101](#) [345-060-559-303](#) [392-008-559-201](#) [534671-1](#)  
[341-240-317](#) [345-044-500-300](#) [346-240-318](#) [387-012-523-300](#) [395-100-524-300](#) [09-07-2032](#) [10035388-802LF](#) [10115859-011LF](#) [10122859-](#)  
[009LF](#) [101269333204245CLF](#) [530555-1](#) [66925-516LF](#) [5145409-2](#) [73726-0005](#) [66308-1](#) [5036A30](#) [PEC-07-02-T-S-A](#) [346-014-520-801](#)  
[KSLX-62-BR](#) [307-048-502-202](#) [CE100F26-7-C](#) [CE100F28-3-D](#) [CE100F28-4-D](#) [CE156F18-9-C](#) [CE156F22-5-D](#) [CE156F22-9-C](#) [CT100F22-](#)  
[2-D](#) [CT100F22-3-D](#) [CT100F24-2-D](#) [CT100F24-3-D](#) [CT100F24-6-C](#) [CT156F22-4-D](#)