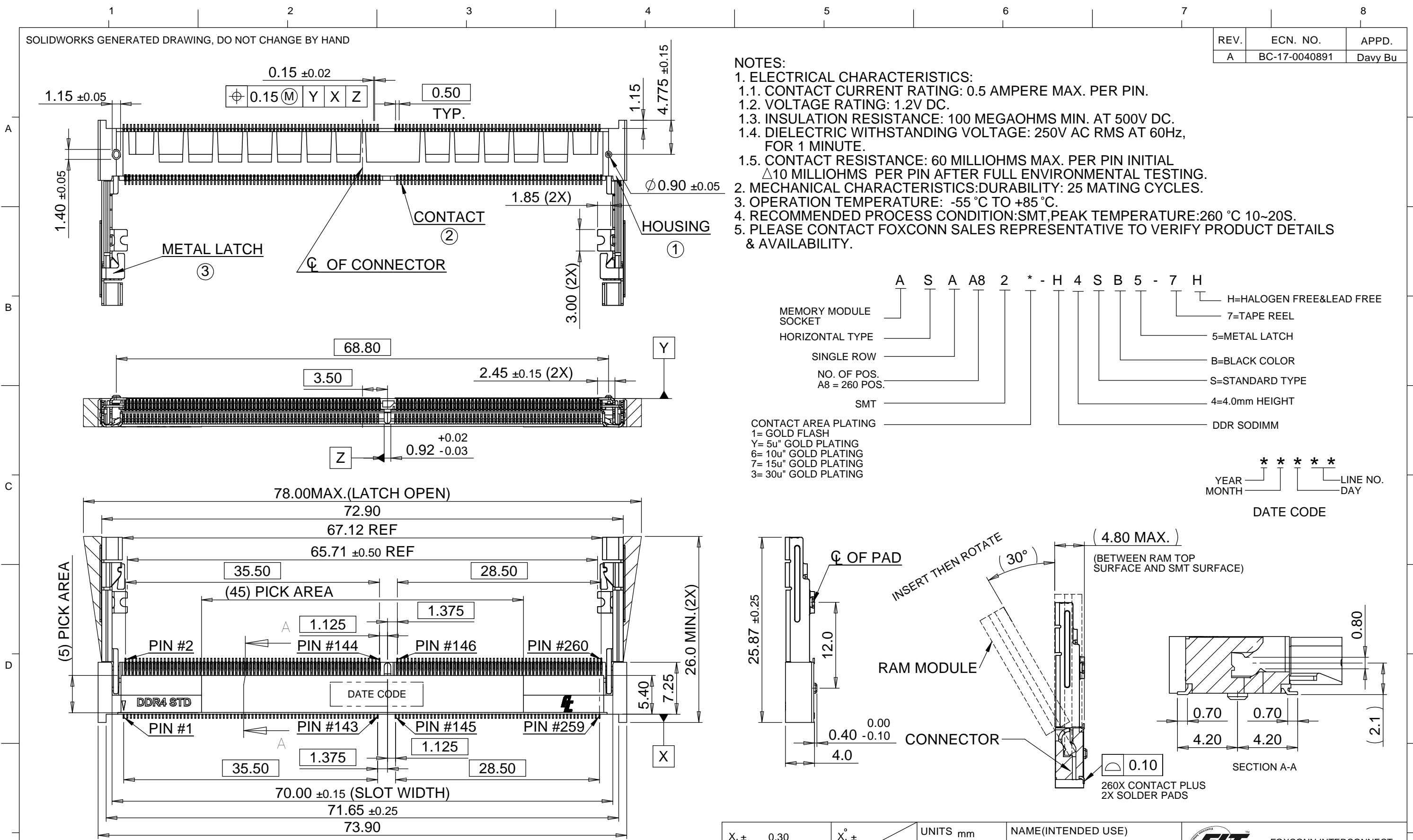


SOLIDWORKS GENERATED DRAWING, DO NOT CHANGE BY HAND

REV.	ECN. NO.	APPD.
A	BC-17-0040891	Davy Bu

- NOTES:
- ELECTRICAL CHARACTERISTICS:
 - CONTACT CURRENT RATING: 0.5 AMPERE MAX. PER PIN.
 - VOLTAGE RATING: 1.2V DC.
 - INSULATION RESISTANCE: 100 MEGAOHMS MIN. AT 500V DC.
 - DIELECTRIC WITHSTANDING VOLTAGE: 250V AC RMS AT 60Hz, FOR 1 MINUTE.
 - CONTACT RESISTANCE: 60 MILLIOHMS MAX. PER PIN INITIAL
 Δ 10 MILLIOHMS PER PIN AFTER FULL ENVIRONMENTAL TESTING.
 - MECHANICAL CHARACTERISTICS: DURABILITY: 25 MATING CYCLES.
 - OPERATION TEMPERATURE: -55 °C TO +85 °C.
 - RECOMMENDED PROCESS CONDITION: SMT, PEAK TEMPERATURE: 260 °C 10~20S.
 - PLEASE CONTACT FOXCONN SALES REPRESENTATIVE TO VERIFY PRODUCT DETAILS & AVAILABILITY.



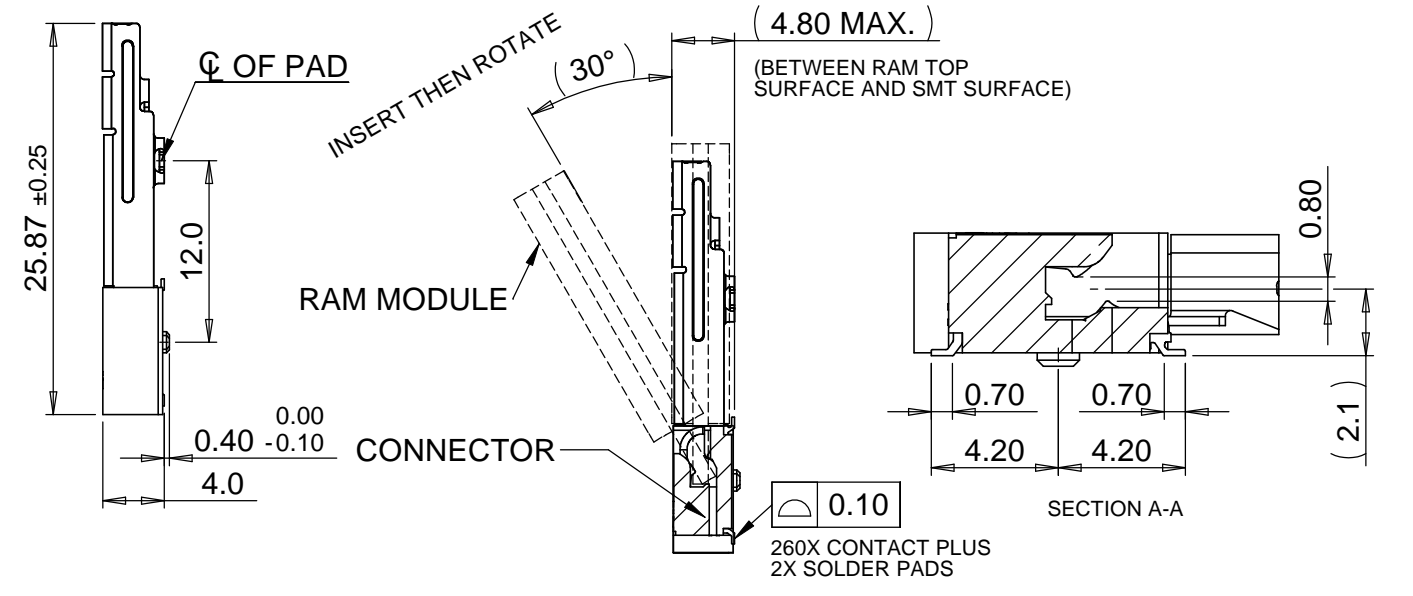
MEMORY MODULE SOCKET
 HORIZONTAL TYPE
 SINGLE ROW
 NO. OF POS. A8 = 260 POS.
 SMT

A S A A8 2 * - H 4 S B 5 - 7 H

H=HALOGEN FREE&LEAD FREE
 7=TAPE REEL
 5=METAL LATCH
 B=BLACK COLOR
 S=STANDARD TYPE
 4=4.0mm HEIGHT
 DDR SODIMM

CONTACT AREA PLATING
 1= GOLD FLASH
 Y= 5u" GOLD PLATING
 6= 10u" GOLD PLATING
 7= 15u" GOLD PLATING
 3= 30u" GOLD PLATING

 YEAR MONTH LINE NO. DAY
 DATE CODE

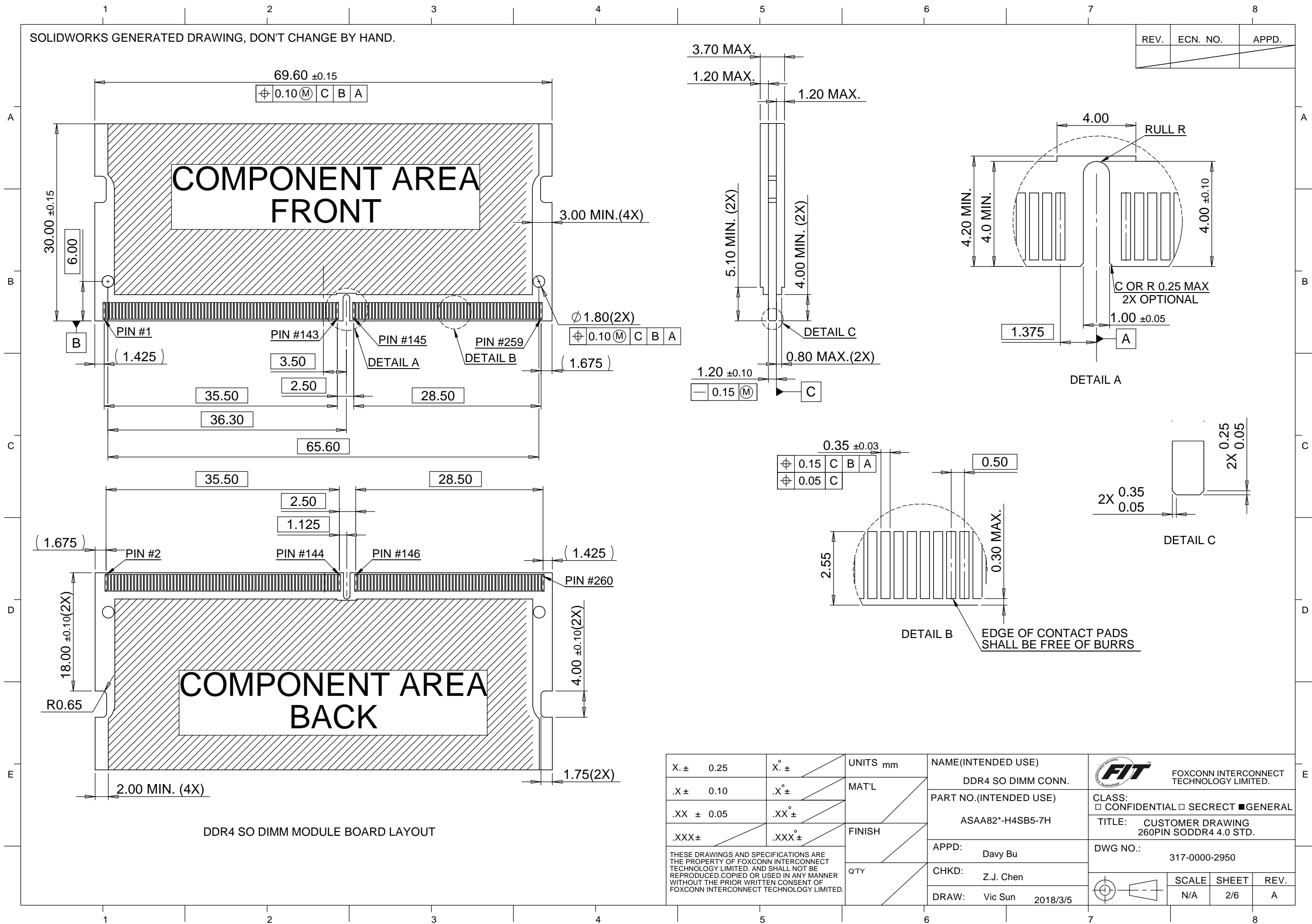


ITEM	DESCRIPTION	QTY	MATERIAL	TREATMENT
3	METAL LATCH	2	STAINLESS STEEL	10u" NICKEL UNDER PLATING 2u" Pd PLATING AT SOLDER PAD AREA.
2	CONTACT	260	PHOSPHOR BRONZE C5210	50u" NICKEL UNDER PLATING GOLD FLASH OR 5u" OR 10u" GOLD PLATING AT CONTACT AREA GOLD FLASH PLATING AT TAIL 90u" NICKEL UNDER PLATING 15u" OR 30u" GOLD PLATING AT CONTACT AREA GOLD FLASH PLATING AT TAIL
1	HOUSING	1	LCP	UL94V-0, HALOGEN FREE, BLACK COLOR

X. ± 0.30	X. °	UNITS mm	NAME (INTENDED USE) DDR4 SO DIMM CONN.	FOXCONN INTERCONNECT TECHNOLOGY LIMITED.
.X ± 0.25	.X °	MAT'L	PART NO. (INTENDED USE) ASAA82*-H4SB5-7H	
.XX ± 0.15	.XX °	FINISH	APPD: Davy Bu	CLASS: <input type="checkbox"/> CONFIDENTIAL <input type="checkbox"/> SECRET <input checked="" type="checkbox"/> GENERAL
.XXX ±	.XXX °	QTY	CHKD: Z.J. Chen	TITLE: CUSTOMER DRAWING 260PIN SODDDR4 4.0 STD.
THESE DRAWINGS AND SPECIFICATIONS ARE THE PROPERTY OF FOXCONN INTERCONNECT TECHNOLOGY LIMITED, AND SHALL NOT BE REPRODUCED, COPIED OR USED IN ANY MANNER WITHOUT THE PRIOR WRITTEN CONSENT OF FOXCONN INTERCONNECT TECHNOLOGY LIMITED.			DRAW: Vic Sun 2018/3/5	DWG NO.: 317-0000-2950
			SCALE SHEET REV. N/A 1/6 A	

SOLIDWORKS GENERATED DRAWING, DON'T CHANGE BY HAND.


REV.	ECN. NO.	APPD.



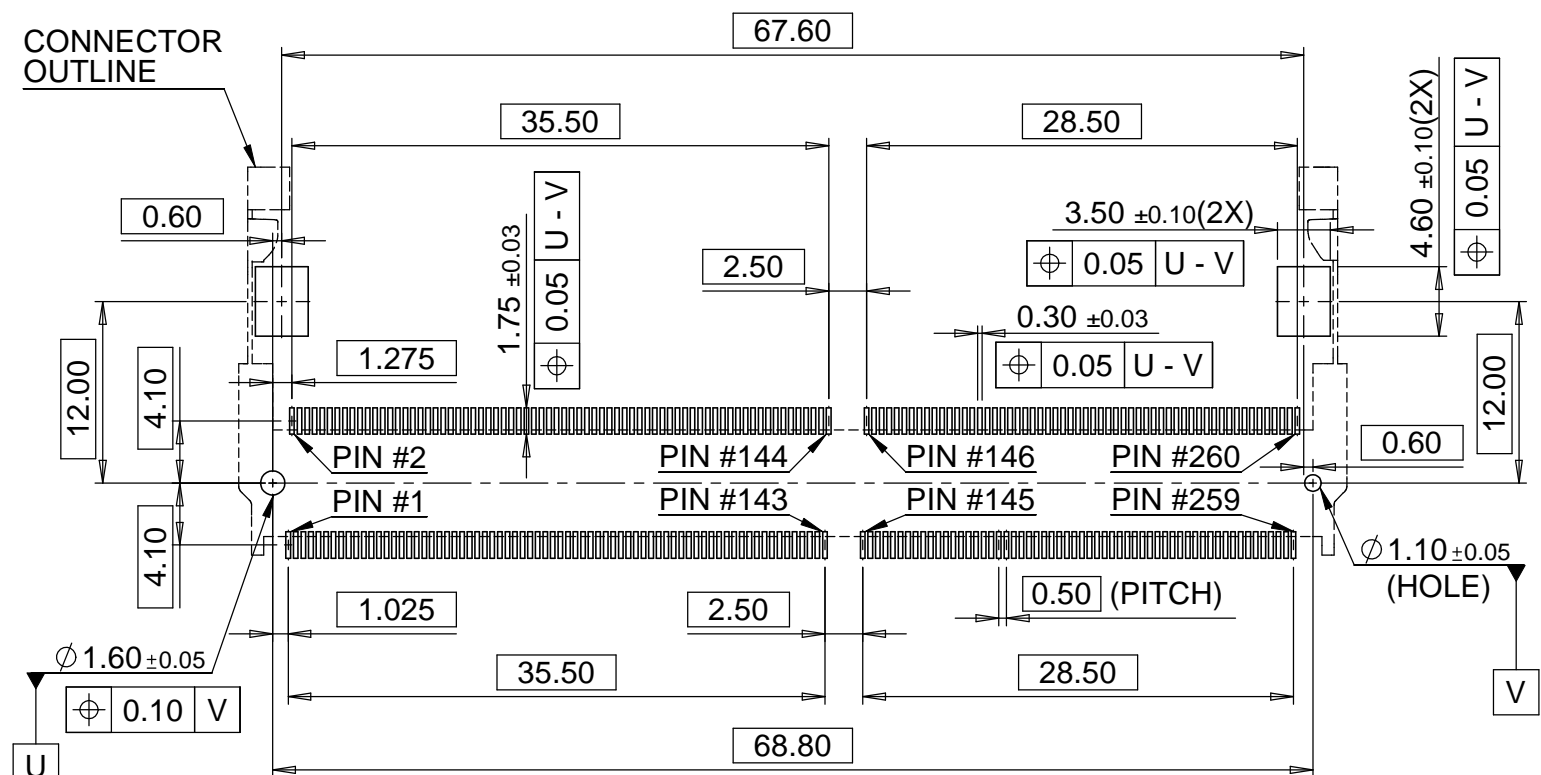
COMPONENT AREA FRONT

COMPONENT AREA BACK

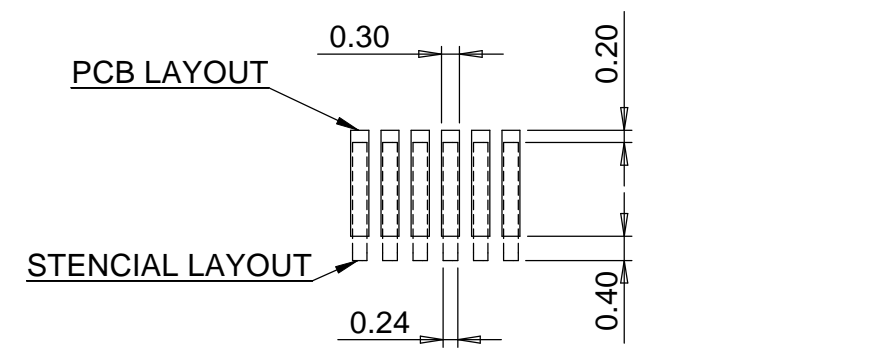
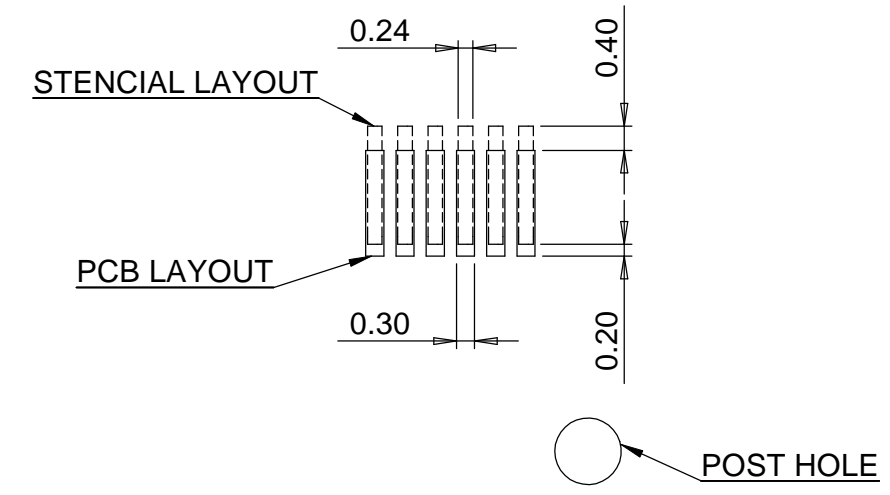
DDR4 SO DIMM MODULE BOARD LAYOUT

X. ± 0.25	X. ° ±	UNITS mm	NAME (INTENDED USE)	 FOXCONN INTERCONNECT TECHNOLOGY LIMITED.
.X ± 0.10	.X ° ±	MAT'L	DDR4 SO DIMM CONN.	
.XX ± 0.05	.XX ° ±	FINISH	PART NO. (INTENDED USE)	CLASS: <input type="checkbox"/> CONFIDENTIAL <input type="checkbox"/> SECRET <input checked="" type="checkbox"/> GENERAL
.XXX ±	.XXX ° ±		ASAA82*-H4SB5-7H	TITLE: CUSTOMER DRAWING 260PIN SODDDR4 4.0 STD.
THESE DRAWINGS AND SPECIFICATIONS ARE THE PROPERTY OF FOXCONN INTERCONNECT TECHNOLOGY LIMITED, AND SHALL NOT BE REPRODUCED, COPIED OR USED IN ANY MANNER WITHOUT THE PRIOR WRITTEN CONSENT OF FOXCONN INTERCONNECT TECHNOLOGY LIMITED.			APPD: Davy Bu	DWG NO.: 317-0000-2950
			CHKD: Z.J. Chen	SCALE SHEET REV. N/A 2/6 A
			DRAW: Vic Sun 2018/3/5	

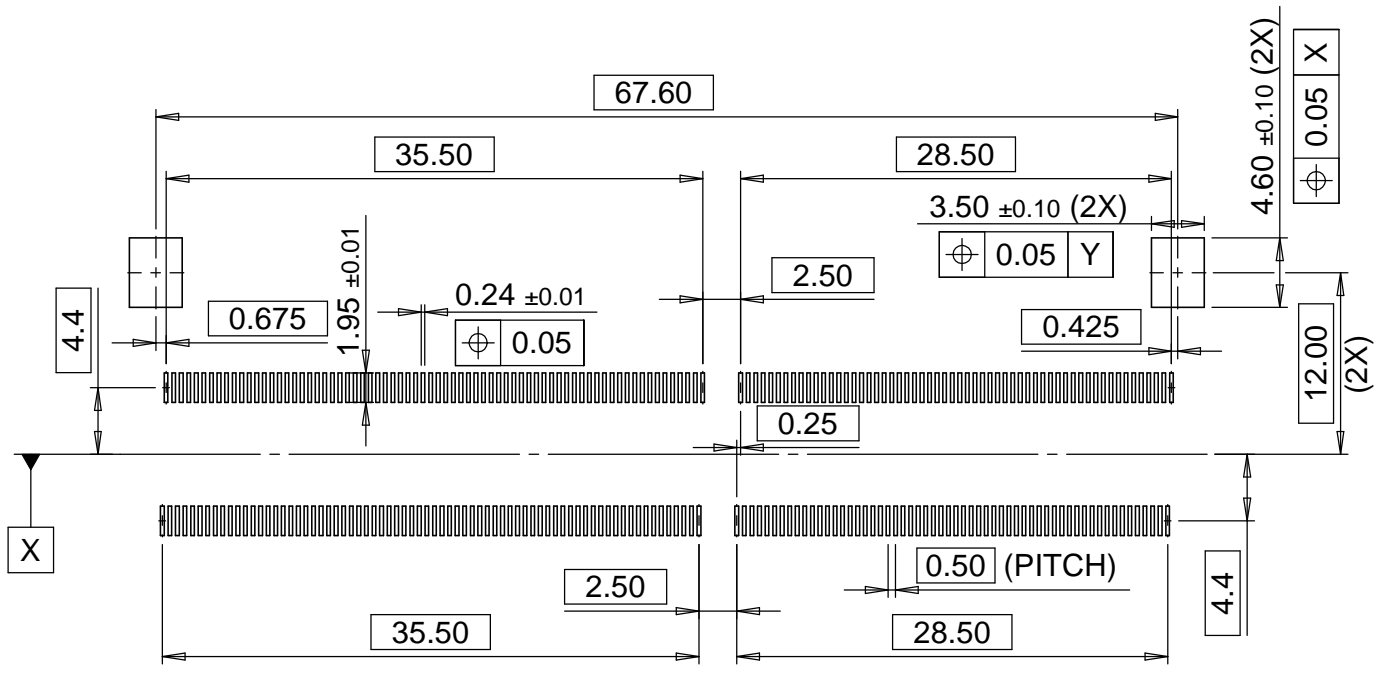
REV.	ECN. NO.	APPD.



P.C.B. LAYOUT(RECOMMEND THICKNESS=1.40MM)
DATUM Z IS THE PCB SOLDER SURFACE



STACKED BY PCB LAYOUT AND STENCIL LAYOUT



STENCIL LAYOUT(RECOMMEND THICKNESS=0.15MM)
DATUM Z IS THE PCB SOLDER SURFACE

X.±	0.25	X.°	/	UNITS	mm
.X±	0.10	.X°	/	MAT'L	/
.XX±	0.05	.XX°	/	FINISH	/
.XXX±	/	.XXX°	/	QTY	/
THESE DRAWINGS AND SPECIFICATIONS ARE THE PROPERTY OF FOXCONN INTERCONNECT TECHNOLOGY LIMITED. AND SHALL NOT BE REPRODUCED, COPIED OR USED IN ANY MANNER WITHOUT THE PRIOR WRITTEN CONSENT OF FOXCONN INTERCONNECT TECHNOLOGY LIMITED.					

NAME (INTENDED USE)	DDR4 SO DIMM CONN.
PART NO. (INTENDED USE)	ASAA82*-H4SB5-7H
APPD:	Davy Bu
CHKD:	Z.J. Chen
DRAW:	Vic Sun 2018/3/5

FIT FOXCONN INTERCONNECT TECHNOLOGY LIMITED.

CLASS:
 CONFIDENTIAL SECRET GENERAL

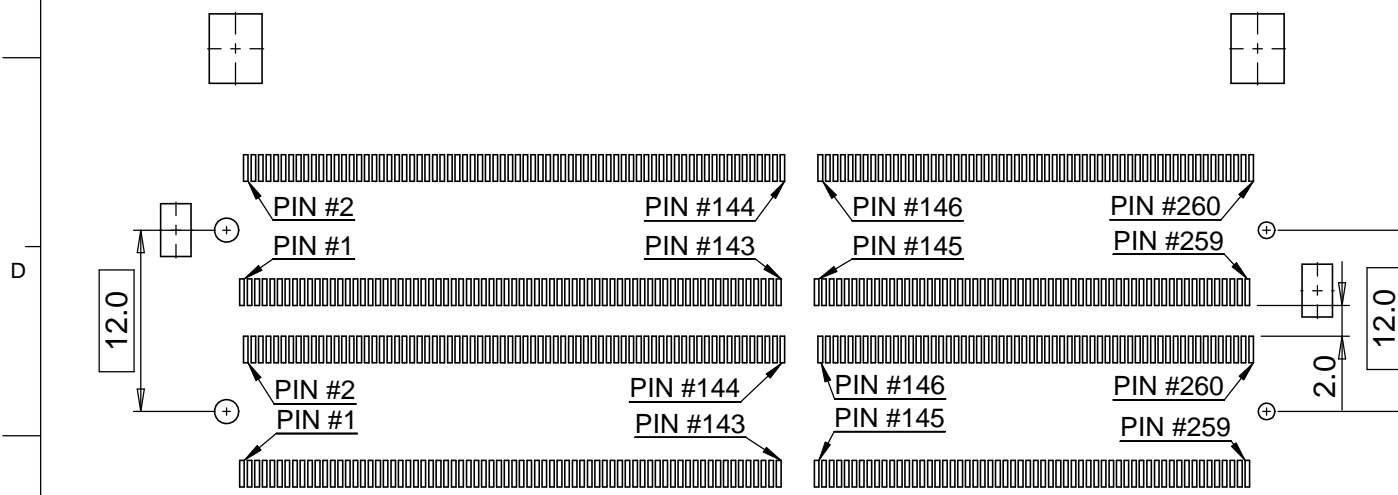
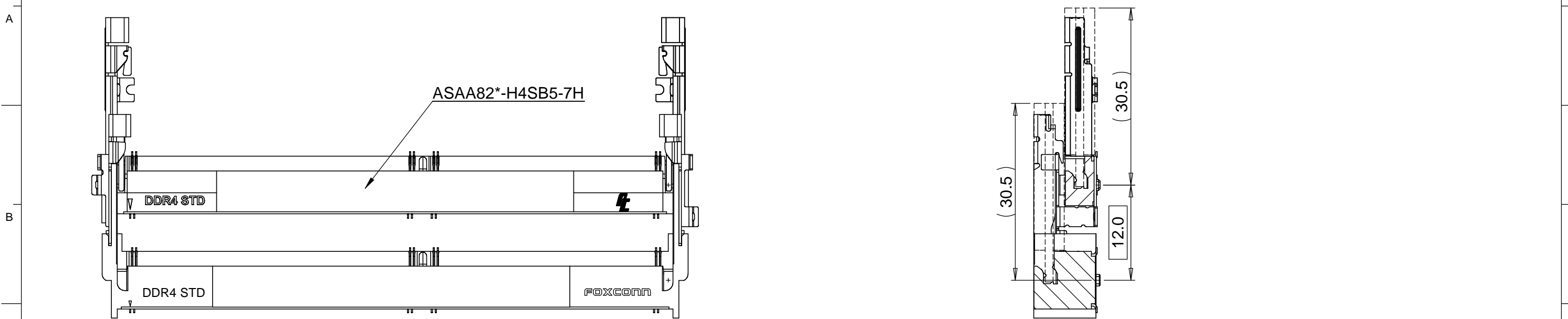
TITLE: CUSTOMER DRAWING
260PIN SODDDR4 4.0 STD.

DWG NO.: 317-0000-2950


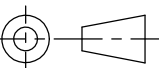
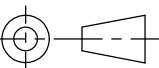
SCALE	SHEET	REV.
N/A	3/6	A

SOLIDWORKS GENERATED DRAWING, DON'T CHANGE BY HAND.

REV.	ECN. NO.	APPD.

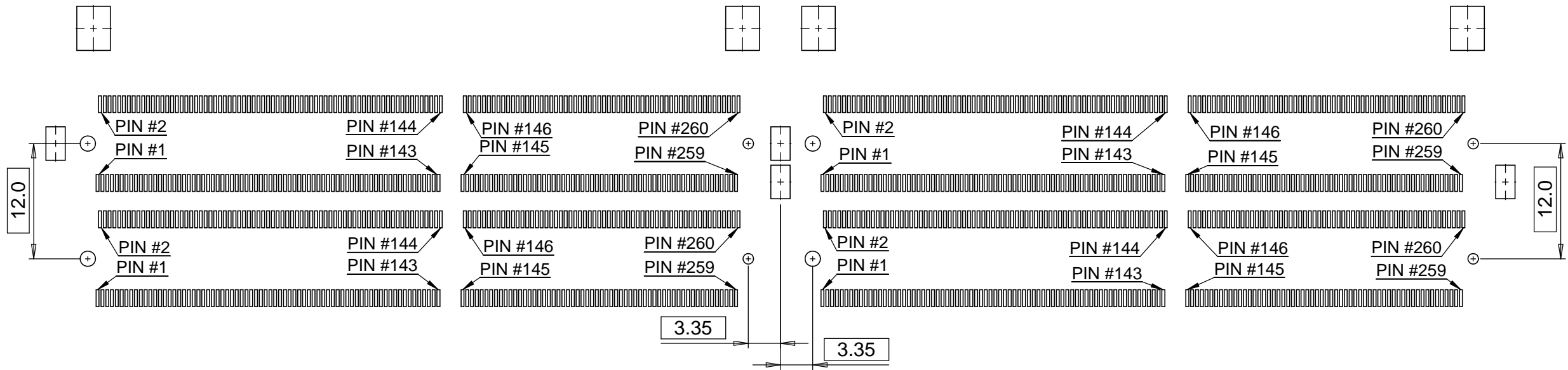
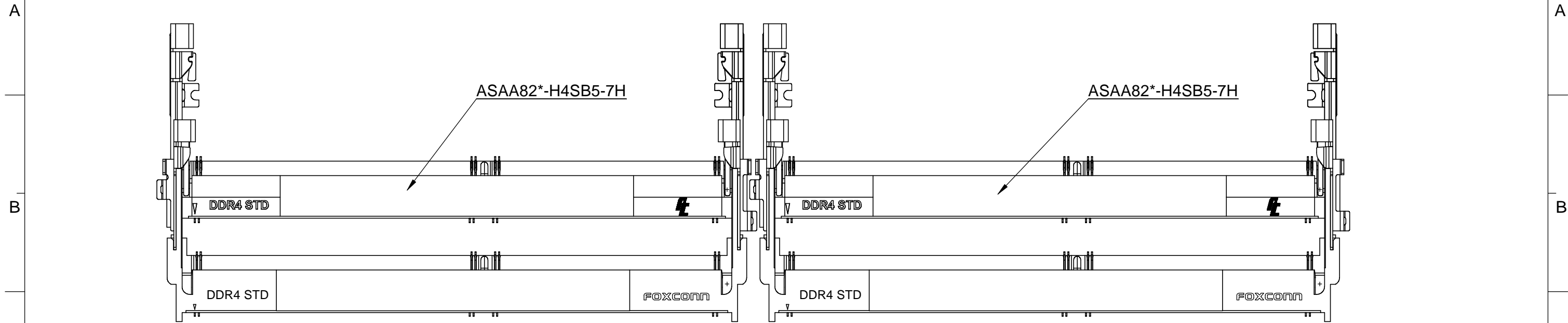


P.C.B. LAYOUT(STACKED ORIENTATION)


X. ± 0.25	X° ±	UNITS mm	NAME (INTENDED USE)	 FOXCONN INTERCONNECT TECHNOLOGY LIMITED.						
.X ± 0.10	.X° ±		MAT'L		CLASS: <input type="checkbox"/> CONFIDENTIAL <input type="checkbox"/> SECRET <input checked="" type="checkbox"/> GENERAL					
.XX ± 0.05	.XX° ±	FINISH	PART NO. (INTENDED USE)	TITLE: CUSTOMER DRAWING 260PIN SODDR4 4.0 STD.						
.XXX ±	.XXX° ±		QTY	ASAA82*-H4SB5-7H	DWG NO.: 317-0000-2950					
THESE DRAWINGS AND SPECIFICATIONS ARE THE PROPERTY OF FOXCONN INTERCONNECT TECHNOLOGY LIMITED. AND SHALL NOT BE REPRODUCED, COPIED OR USED IN ANY MANNER WITHOUT THE PRIOR WRITTEN CONSENT OF FOXCONN INTERCONNECT TECHNOLOGY LIMITED.			APPD: Davy Bu	 <table border="1"> <tr> <th>SCALE</th> <th>SHEET</th> <th>REV.</th> </tr> <tr> <td>N/A</td> <td>4/6</td> <td>A</td> </tr> </table>	SCALE	SHEET	REV.	N/A	4/6	A
			SCALE		SHEET	REV.				
			N/A		4/6	A				
CHKD: Z.J. Chen	DRAW: Vic Sun 2018/3/5									

SOLIDWORKS GENERATED DRAWING, DON'T CHANGE BY HAND.

REV.	ECN. NO.	APPD.

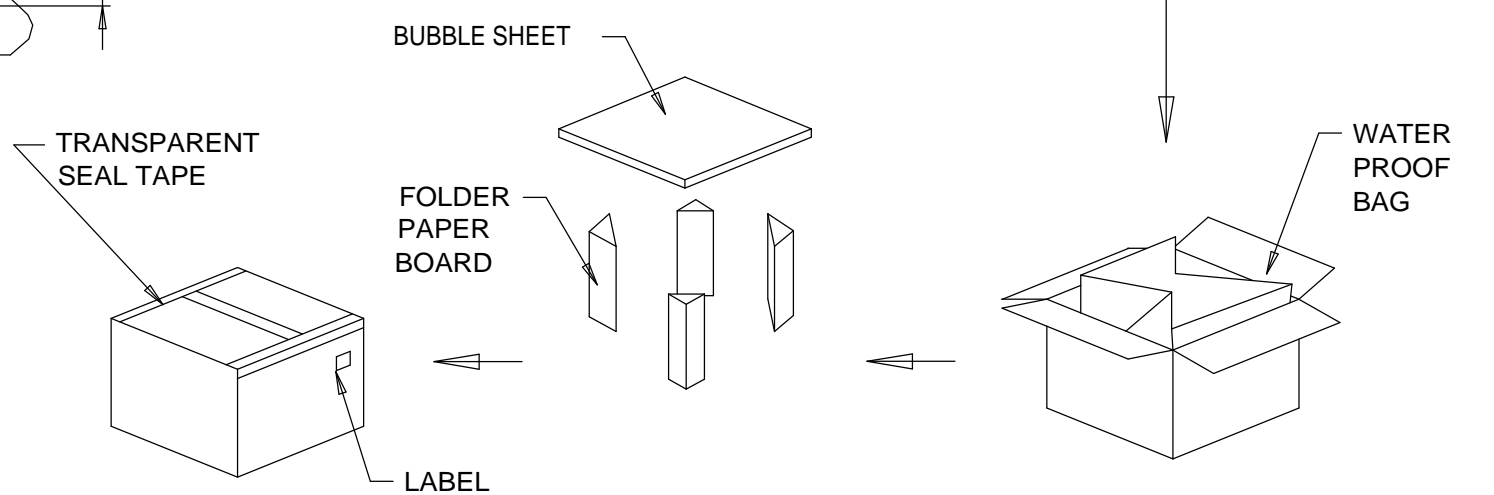
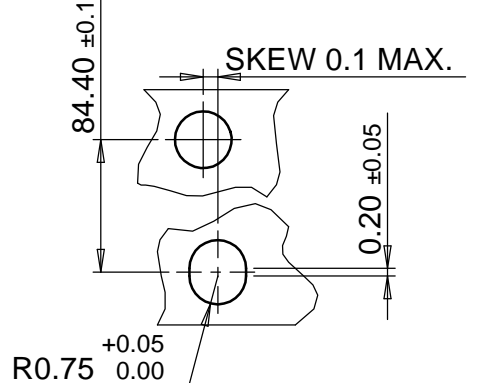
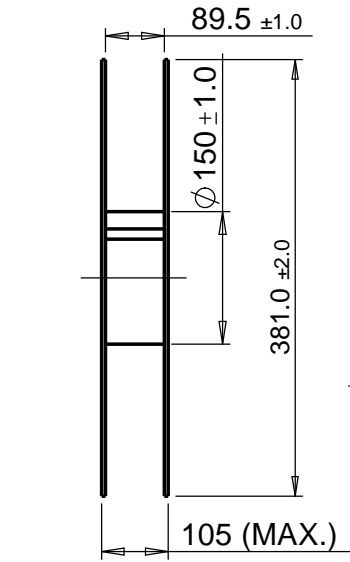
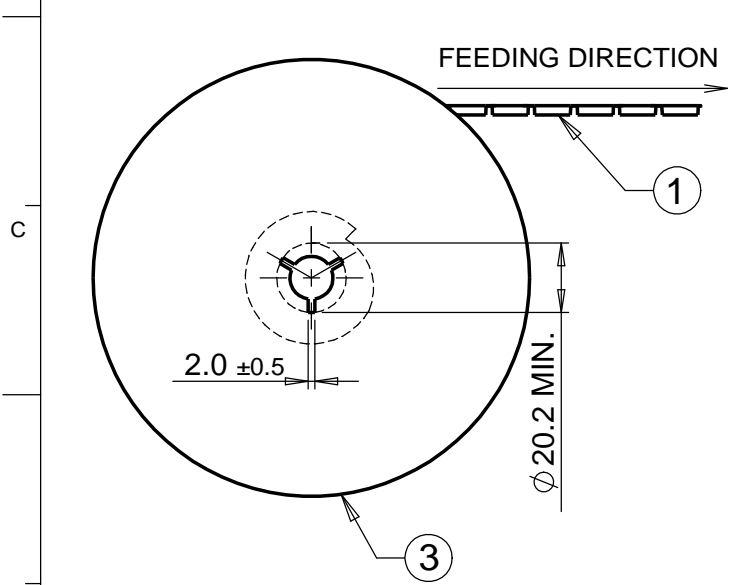
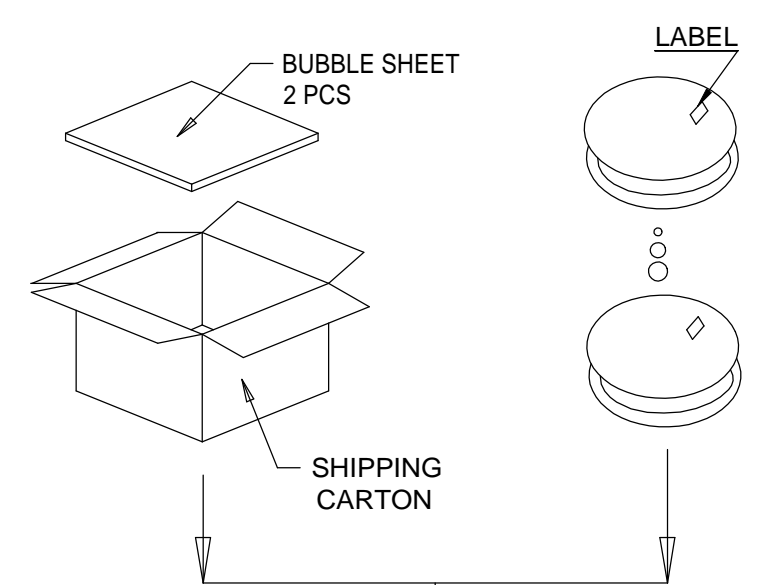
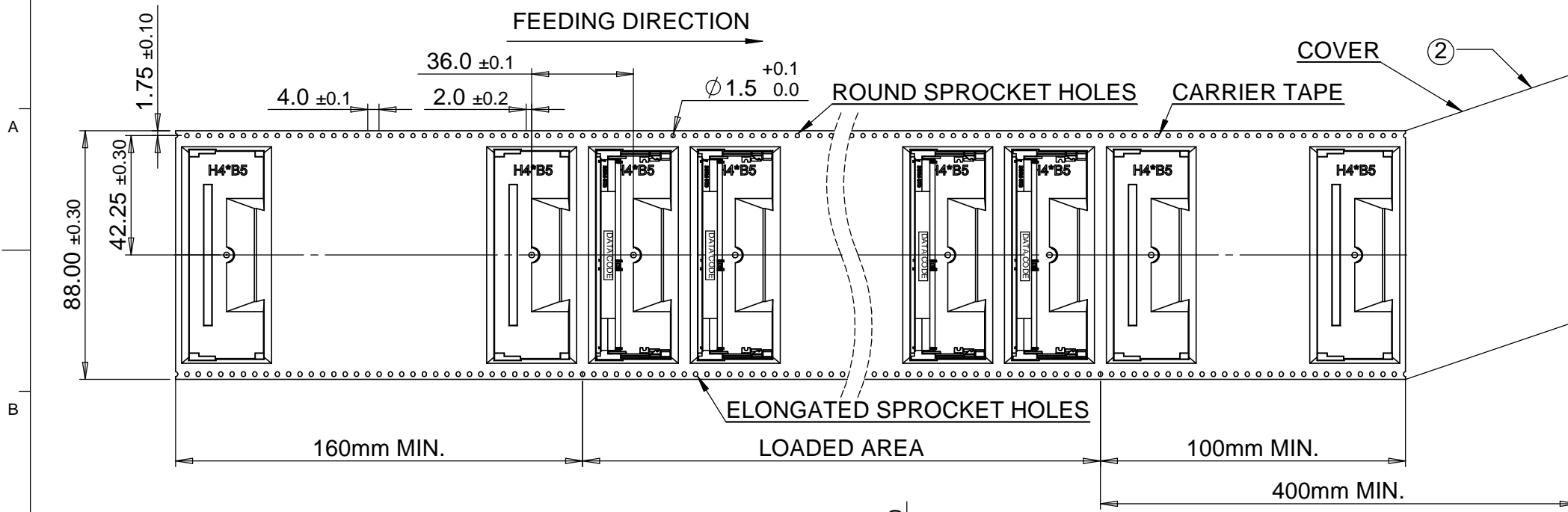


P.C.B. LAYOUT(DUAL COMPRESSED STACKED ORIENTATION)

X.± 0.25	X° ±	UNITS mm	NAME(INTENDED USE) DDR4 SO DIMM CONN.	 FOXCONN INTERCONNECT TECHNOLOGY LIMITED.
.X± 0.10	.X° ±			
.XX± 0.05	.XX° ±	FINISH	PART NO.(INTENDED USE) ASAA82*-H4SB5-7H	TITLE: CUSTOMER DRAWING 260PIN SODDR4 4.0 STD.
.XXX±	.XXX° ±		Q'TY	APPD: Davy Bu
THESE DRAWINGS AND SPECIFICATIONS ARE THE PROPERTY OF FOXCONN INTERCONNECT TECHNOLOGY LIMITED AND SHALL NOT BE REPRODUCED, COPIED OR USED IN ANY MANNER WITHOUT THE PRIOR WRITTEN CONSENT OF FOXCONN INTERCONNECT TECHNOLOGY LIMITED.				CHKD: Z.J. Chen
			DRAW: Vic Sun 2018/3/5	

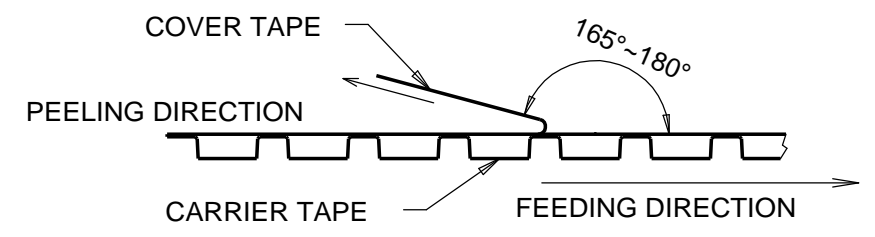
SOLIDWORKS GENERATED DRAWING, DO NOT CHANGE BY HAND

REV.	ECN. NO.	APPD.



NOTES:

- 1. 10 POCKETS HOLE PITCH CUMULATIVE TOLERANCE ±0.20mm.
- 2. COVER TAPE PEELING STRENGTH : 0.01 kgf MIN & 0.15 kgf MAX. AT 300mm/min.



3. PACKING CAPACITY : 340 PCS/REEL, 3 REELS/BOX, TOTAL 1020 PCS/BOX.

3	REEL	POLYSTYRENE
2	COVER TAPE	POLYESTER
1	CARRIER TAPE	POLYSTYRENE
ITEM	DESCRIPTION	MATERIAL

X. ± 1.5	X. °	UNITS mm	NAME (INTENDED USE)	FOXCONN INTERCONNECT TECHNOLOGY LIMITED.
.X ± 1.0	.X °	MAT'L	DDR4 SO DIMM CONN.	
.XX ± 0.2	.XX °	FINISH	PART NO. (INTENDED USE)	CLASS: <input type="checkbox"/> CONFIDENTIAL <input type="checkbox"/> SECRET <input checked="" type="checkbox"/> GENERAL
.XXX ±	.XXX °		ASAA82*-H4SB5-*H	TITLE: CUSTOMER DRAWING 260PIN SODDR4 4.0 STD.
THESE DRAWINGS AND SPECIFICATIONS ARE THE PROPERTY OF FOXCONN INTERCONNECT TECHNOLOGY LIMITED. AND SHALL NOT BE REPRODUCED, COPIED OR USED IN ANY MANNER WITHOUT THE PRIOR WRITTEN CONSENT OF FOXCONN INTERCONNECT TECHNOLOGY LIMITED.			APPD: Davy Bu	DWG NO.: 317-0000-2950
			CHKD: Z.J. Chen	SCALE SHEET REV. N/A 6/6 A
			DRAW: Vic Sun 2018/3/5	

CONNECTOR P/N ASAA82*-H4SB5-7H

X-ON Electronics

Largest Supplier of Electrical and Electronic Components

Click to view similar products for [Standard Card Edge Connectors](#) category:

Click to view products by [Foxconn](#) manufacturer:

Other Similar products are found below :

[CR7E-30DB-3.96E\(72\)](#) [6565204-6](#) [1437274-4](#) [EBT15622B2X](#) [1-582587-1](#) [284-0102-12100](#) [286-0052-12101A](#) [306022901000000](#) [307-012-502-202](#) [307-056-520-300](#) [A6D22DS29C2](#) [1926088-2](#) [287-0032-12101](#) [345-060-559-303](#) [392-008-559-201](#) [534671-1](#) [341-240-317](#) [345-044-500-300](#) [346-240-318](#) [387-012-523-300](#) [395-100-524-300](#) [09-07-2032](#) [10035388-802LF](#) [10115859-011LF](#) [10122859-009LF](#) [101269333204245CLF](#) [530555-1](#) [66925-516LF](#) [5145409-2](#) [73726-0005](#) [66308-1](#) [5036A30](#) [PEC-07-02-T-S-A](#) [346-014-520-801](#) [KSLX-62-BR](#) [307-048-502-202](#) [CE100F26-7-C](#) [CE100F28-3-D](#) [CE100F28-4-D](#) [CE156F18-9-C](#) [CE156F22-5-D](#) [CE156F22-9-C](#) [CT100F22-2-D](#) [CT100F22-3-D](#) [CT100F24-2-D](#) [CT100F24-3-D](#) [CT100F24-6-C](#) [CT156F22-4-D](#) [MLSS100-12-C](#) [MLSS100-16-C](#)