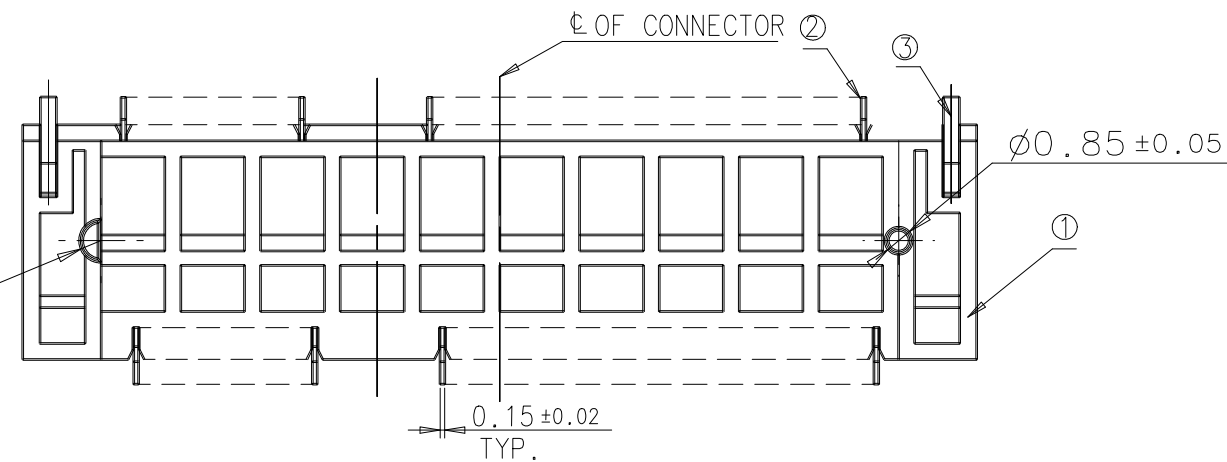
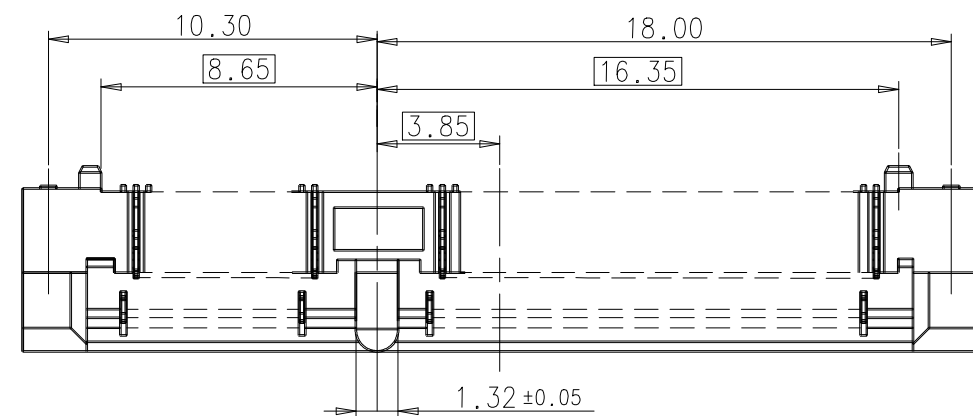


IDEAS GENERATED DRAWING, DO NOT CHANGE BY HAND

REV.	ECN. NO.	APPD.
A	BC-10-0131689	Herry Yang
B	BC-11-0001491	Herry Yang
C	BC-11-0060226	Herry Yang



- NOTES:
- ELECTRICAL CHARACTERISTICS:
 - CONTACT CURRENT RATING: 0.5 AMPERE MAX. PER PIN.
(PER PIN) DOESN'T EXCEED 30°C ABOVE AMBIENT AT 0.5 AMPERE MAX. PER PIN.
 - VOLTAGE RATING: 50V AC.
 - INSULATION RESISTANCE: 500 MEGAOHMS MIN. AT 500V DC.
 - DIELECTRIC WITHSTANDING VOLTAGE: 300V AC RMS AT 60Hz, FOR 1 MINUTE.
 - CONTACT RESISTANCE: 55 MILLIOHMS MAX. PER PIN INITIAL.
 $\Delta R = 20$ MILLIOHMS MAX. PER PIN AFTER FULL ENVIRONMENTAL TESTING.
 - MECHANICAL CHARACTERISTICS: DURABILITY: 50 MATING CYCLES.
 - OPERATION TEMPERATURE: -40°C TO +80°C.
 - PLEASE CONTACT FOXCONN SALES REPRESENTATIVE TO VERIFY PRODUCT DETAIL & AVAILABILITY.

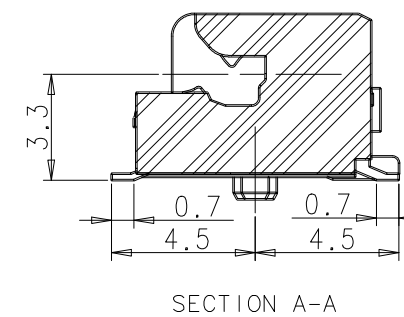
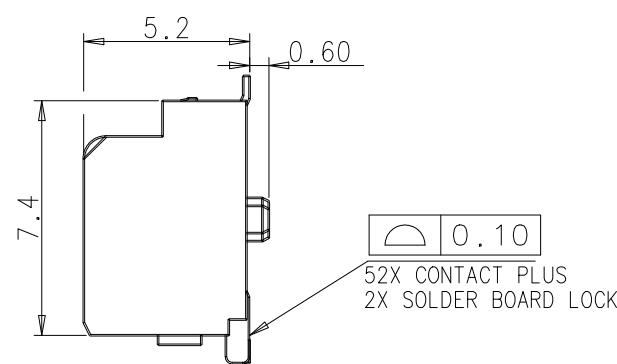
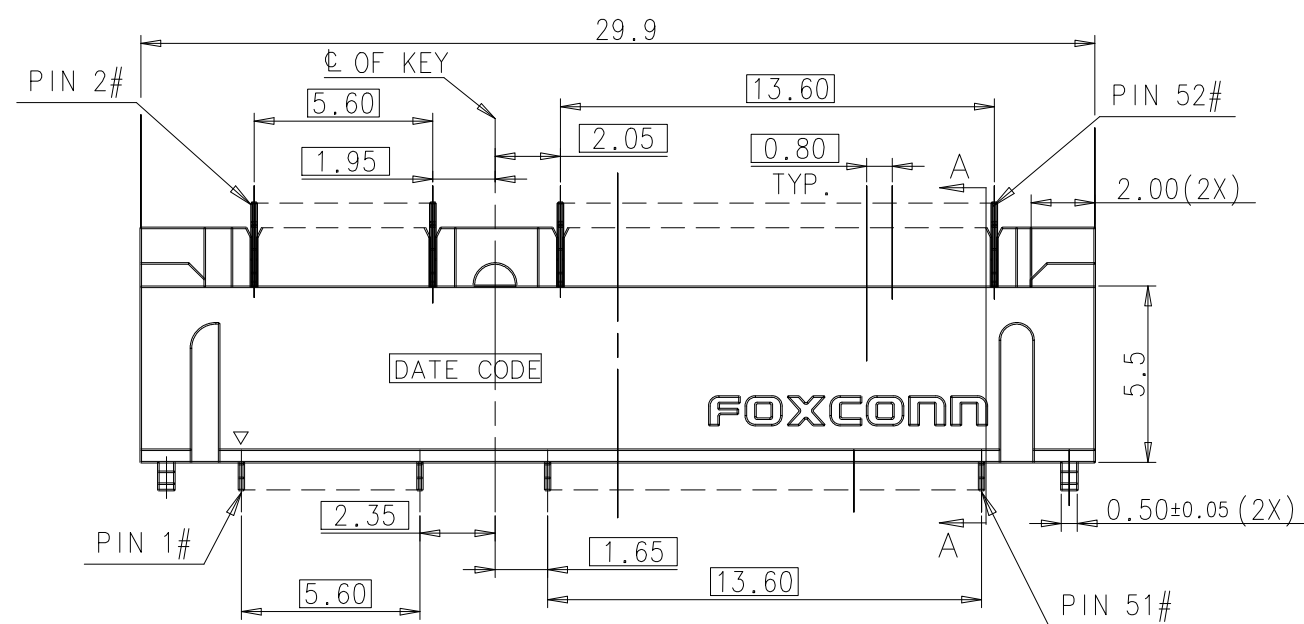


PART NO. DESCRIPTION: A S 0 B 2 2 * - S 5 2 * - 7 H

MEMORY MODULE SOCKET
 HORIZONTAL TYPE
 SINGLE ROW
 NO. OF POS.
 B2= 52 POS.
 SMT

CONTACT AREA PLATING
 6=10u" GOLD PLATING
 1=GOLD FLASH

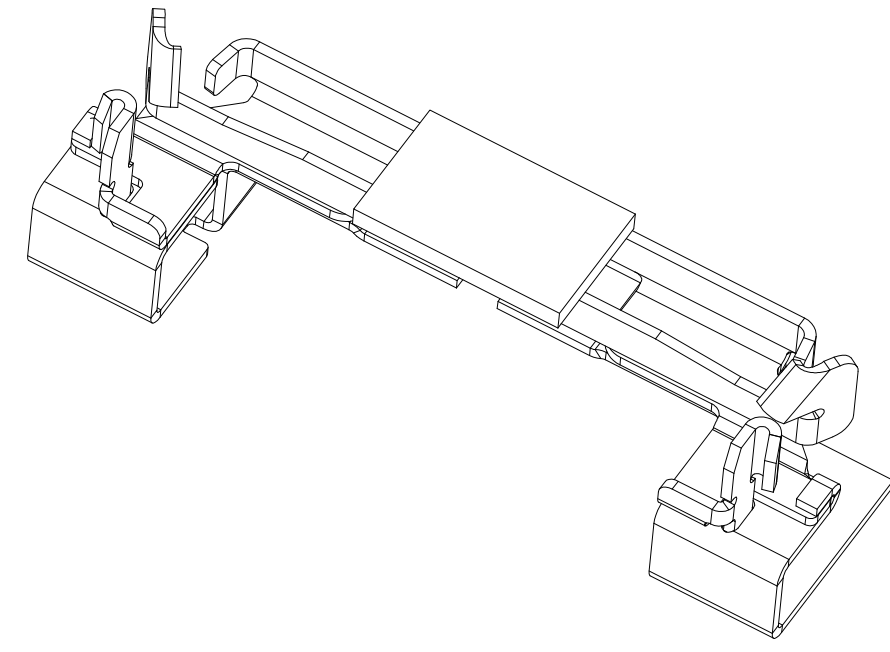
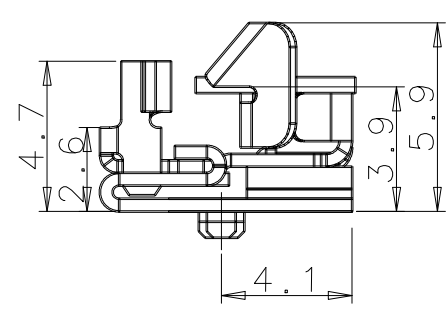
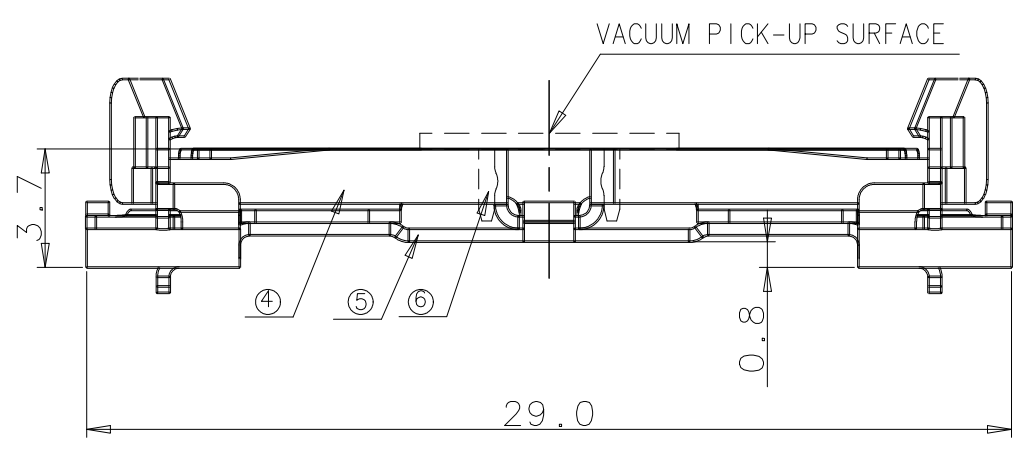
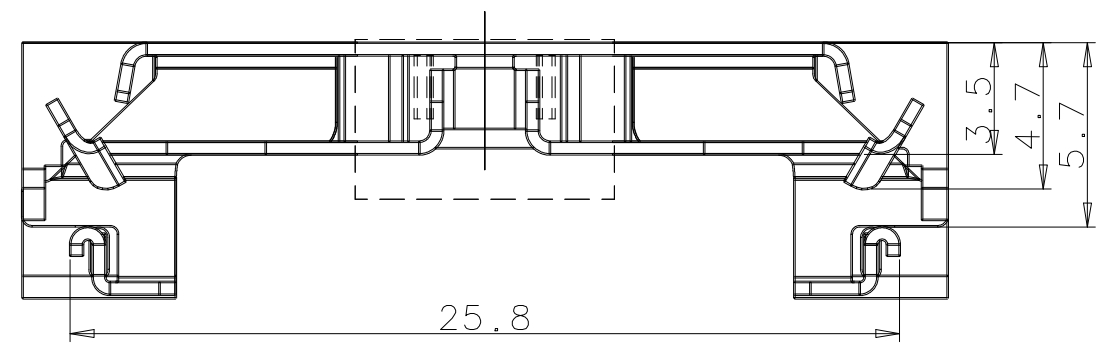
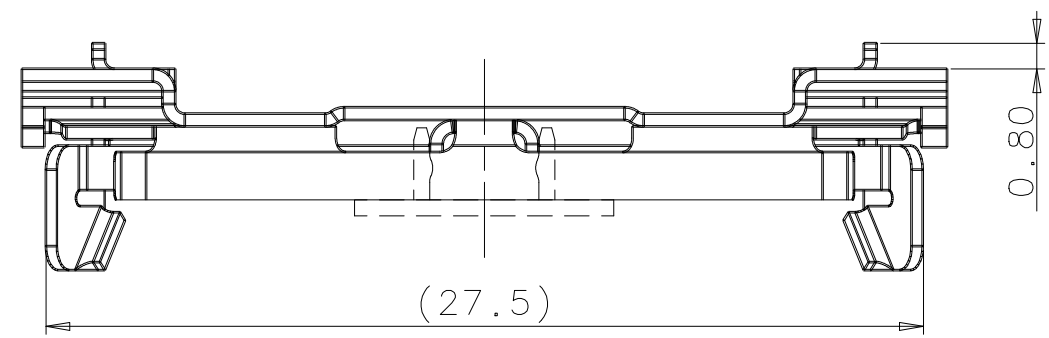
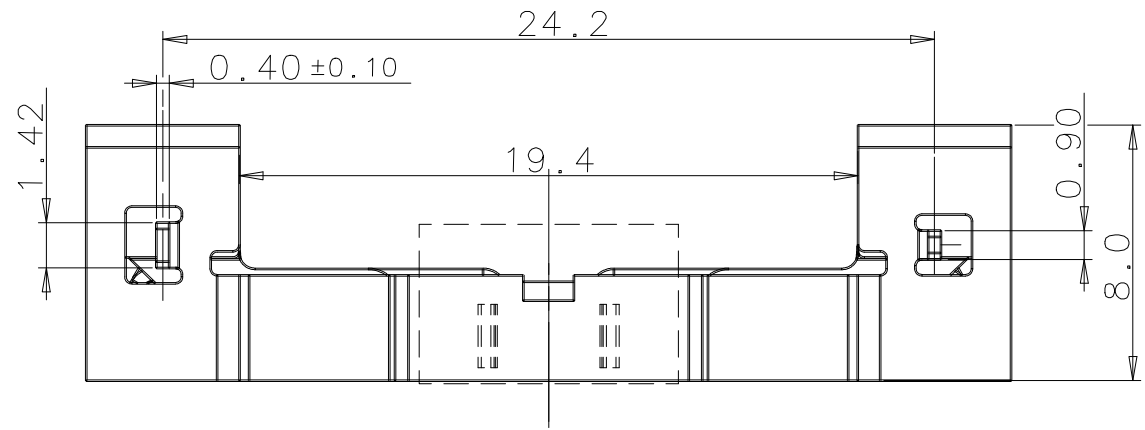
H=HALOGEN/LEAD FREE
 7=TAPE&REEL
 Q=GENERAL TYPE
 K=ONLY CLIP
 52=5.2mm HEIGHT
 STANDARD TYPE



X. ± 0.30	X° ± 2°	UNITS	mm	NAME (INTENDED USE)	FOXCONN HON HAI PRECISION IND. CO., LTD. TAIPEI, TAIWAN, R.O.C.	
.X ± 0.25	.X° ± 1°	MAT'L		MINI PCI EXPRESS CONNECTOR		
.XX ± 0.15	.XX° ±	FINISH		PART NO. (INTENDED USE)	TITLE:	
.XXX ±	.XXX° ±	Q'TY		ASOB22*-S52*-7H	CUSTOMER DRAWING	
THESE DRAWINGS AND SPECIFICATIONS ARE THE PROPERTY OF HON HAI PRECISION IND. CO., LTD. AND SHALL NOT BE REPRODUCED, COPIED OR USED IN ANY MANNER WITHOUT THE PRIOR WRITTEN CONSENT OF HON HAI PRECISION IND. CO., LTD.				APPD: Herry Yang	DWG NO.:	
				CHKD: ZH.Wang	317-0000-2008	
				DR: Wang Justin 6/1'11		
				SCALE	SHEET	REV.
				N/A	1/7	C

IDEAS GENERATED DRAWING, DO NOT CHANGE BY HAND

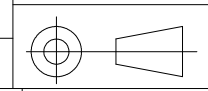
REV.	ECN.	NO.	APPD.



⑥	CAP	1	THERMOPLASTIC	UL94V-0, IVORY COLOR(IN ORDER TO PICK-UP, TAKE AWAY AFTER ASSEMBLY)
⑤	CLIP(2)	1	STAINLESS STEEL	2u" Pd PLATING OVER SOLDER PAD AREA
④	CLIP(1)	1	STAINLESS STEEL	NO PLATING
③	BOARD LOCK	2	COPPER ALLOY	100u" MATTE TIN PLATING OVER ALL
②	CONTACT	52	COPPER ALLOY	50u" NICKEL UNDER PLATING GOLD FLASH AT TAIL 10u" GOLD PLATING OR GOLD FLASH AT CONTACT AREA
①	HOUSING	1	THERMOPLASTIC	UL94V-0, IVORY COLOR

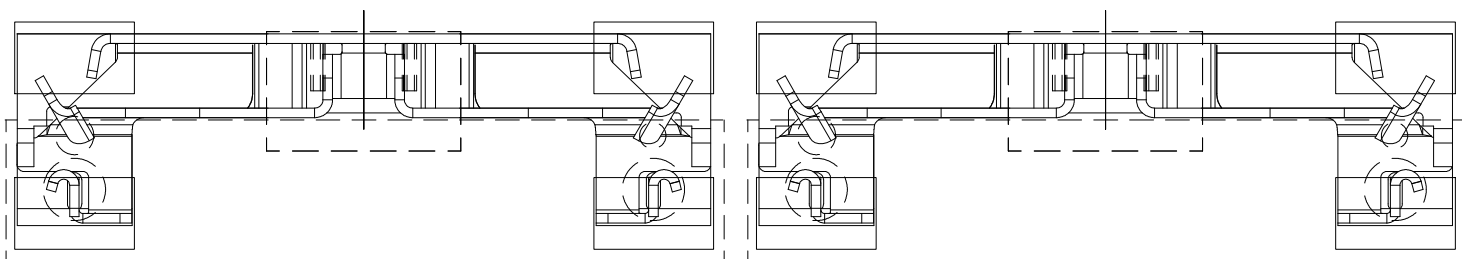
ITEM	DESCRIPTION	Q'TY	MATERIAL	TREATMENT			
x. ±	0.30	x° ±	UNITS	mm			
.x ±	0.25	.x° ±	MAT'L	NAME (INTENDED USE)			
.xx ±	0.15	.xx° ±	FINISH	MINI PCI EXPRESS CONNECTOR			
.xxx ±		.xxx° ±	Q'TY	PART NO. (INTENDED USE)			
THESE DRAWINGS AND SPECIFICATIONS ARE THE PROPERTY OF HON HAI PRECISION IND. CO., LTD. AND SHALL NOT BE REPRODUCED, COPIED OR USED IN ANY MANNER WITHOUT THE PRIOR WRITTEN CONSENT OF HON HAI PRECISION IND. CO., LTD.				ASOB22*-S52*-7H			
				APPD: Herry Yang		TITLE:	CUSTOMER DRAWING
				CHKD: Alex Wong		DWG NO.:	317-0000-2008
				DR: Wang Justin 6/1'11		SCALE	SHEET
			N/A	2/7	C		

FOXCONN
HON HAI PRECISION IND. CO., LTD.
TAIPEI, TAIWAN, R.O.C.

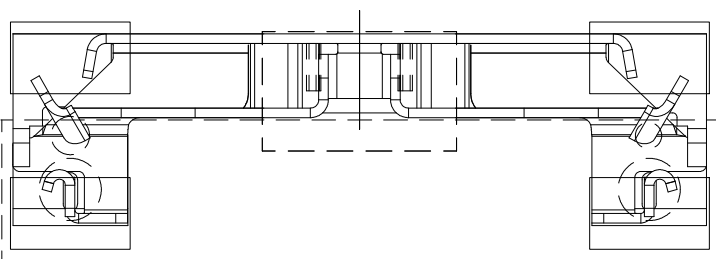


IDEAS GENERATED DRAWING, DO NOT CHANGE BY HAND

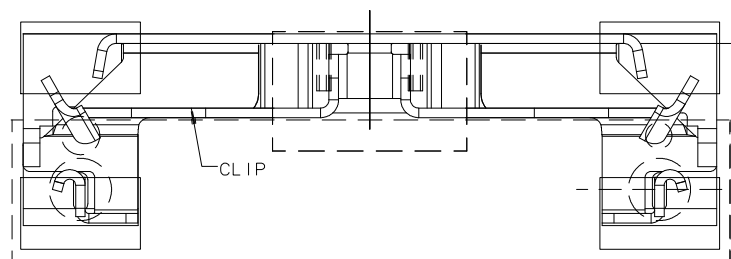
REV.	ECN.	NO.	APPD.



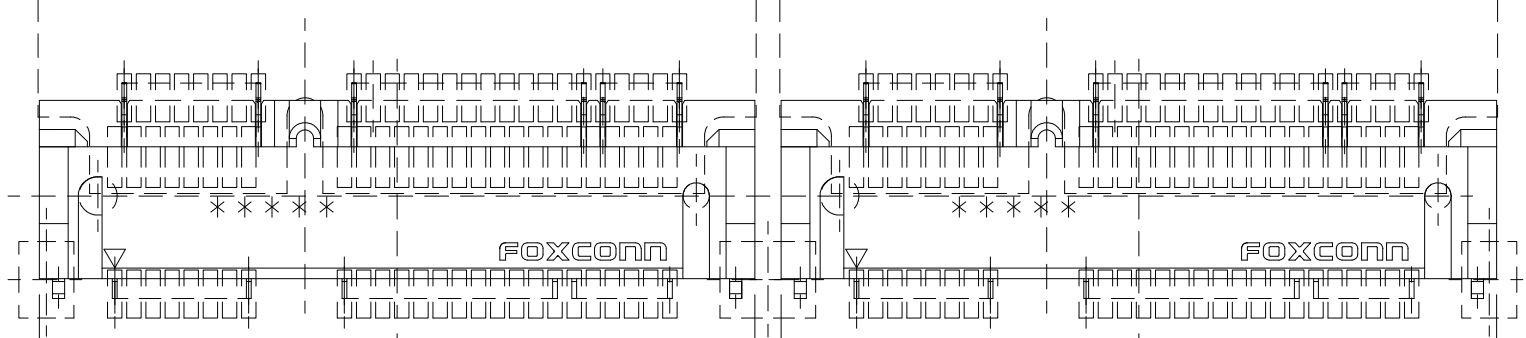
TOP SIDE



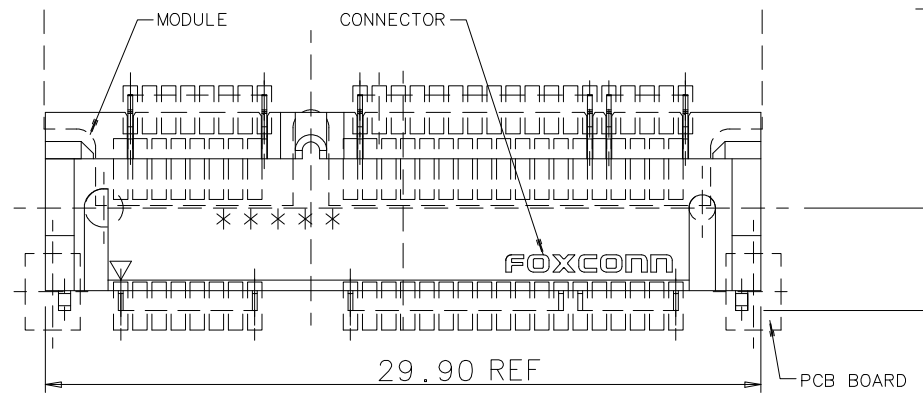
TOP SIDE



TOP SIDE



SIDE BY SIDE LAYOUT FOR ASSEMBLY(CONNECTOR+CLIP+MODULE CARD+P.C.B)



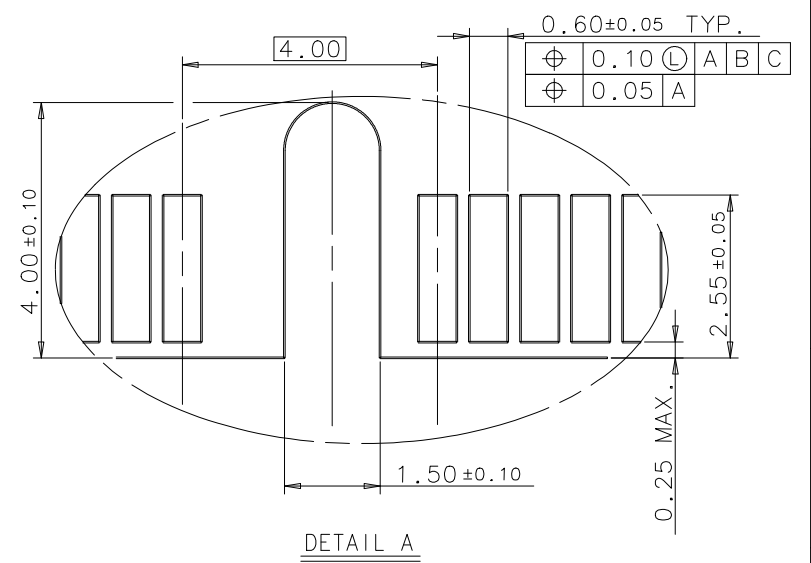
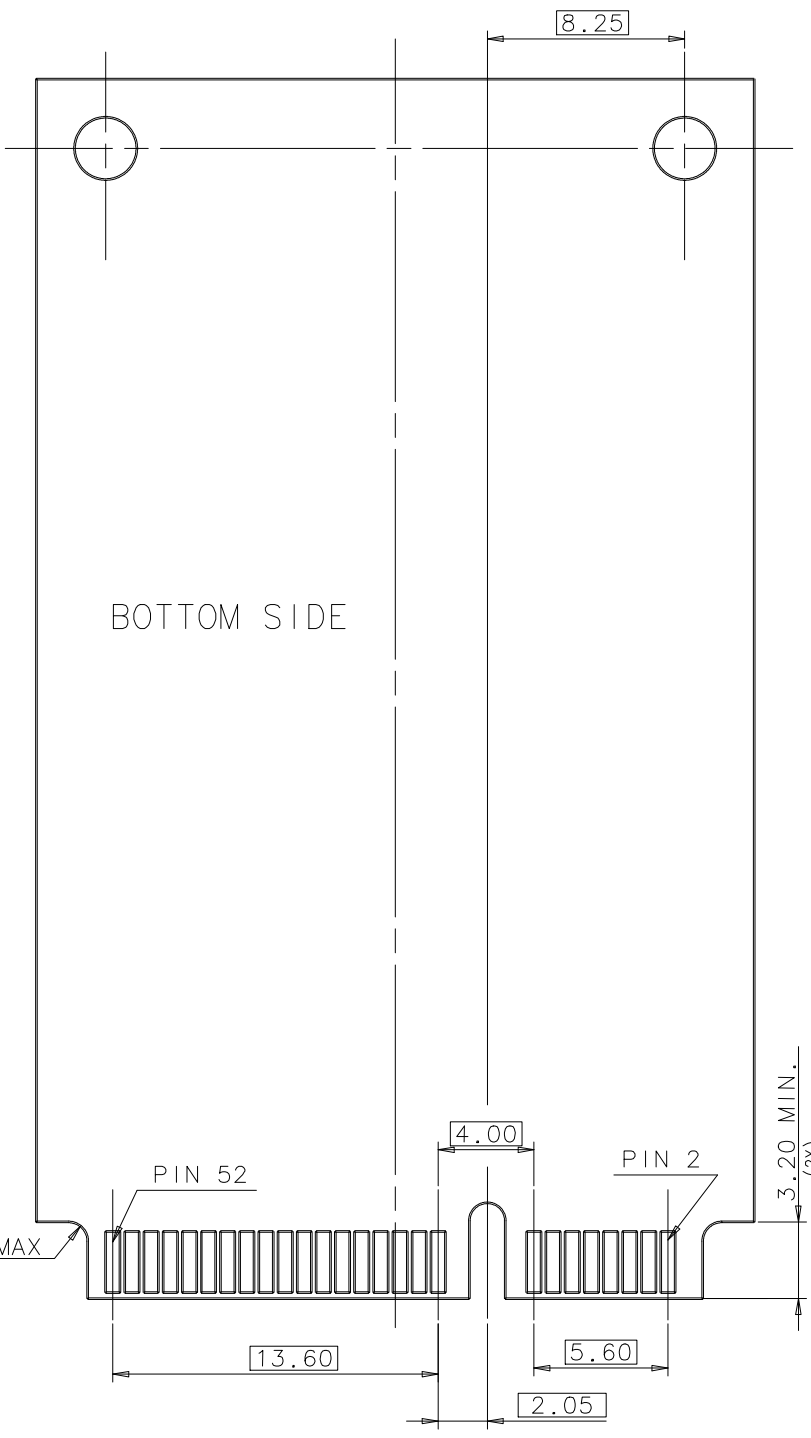
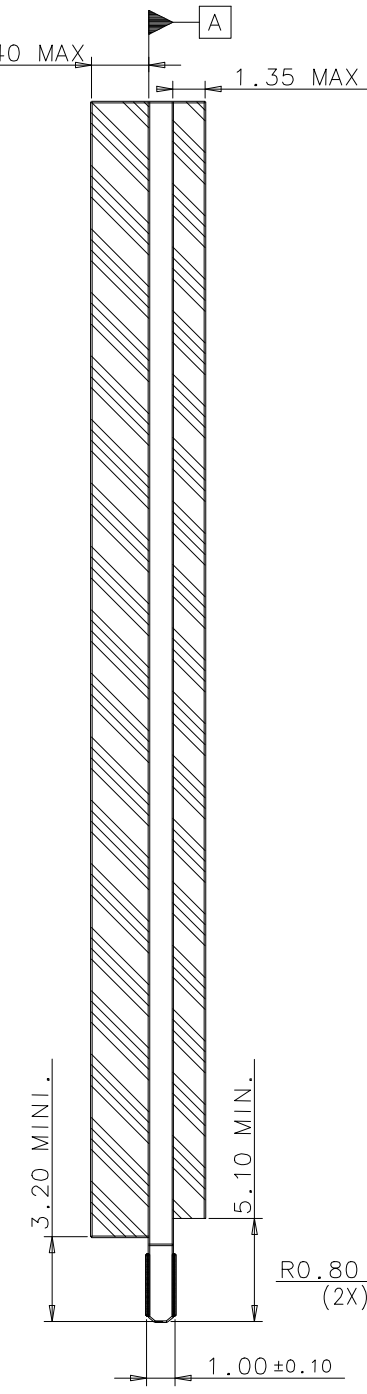
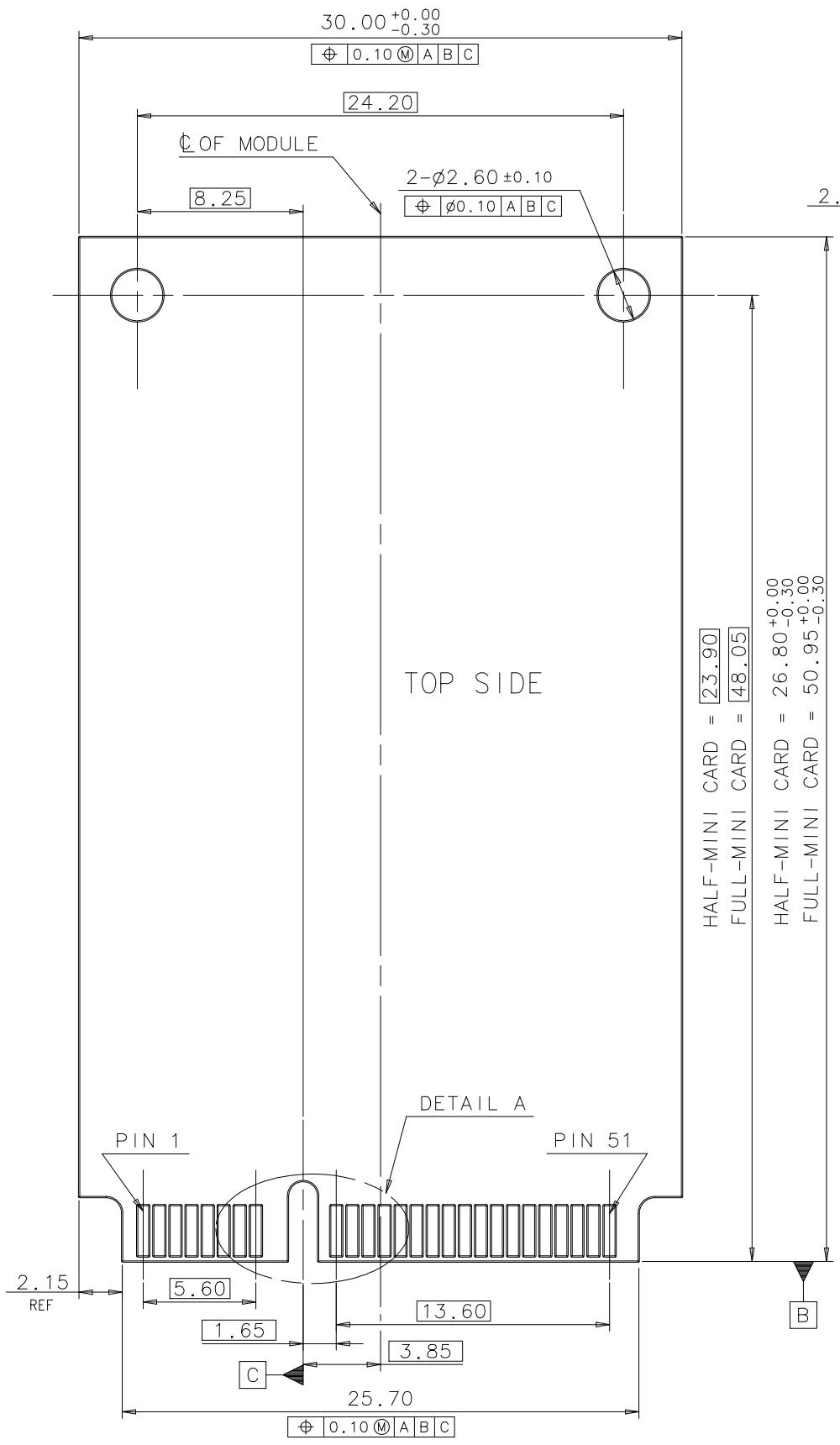
SINGLE LAYOUT FOR ASSEMBLY(CONNECTOR+CLIP+MODULE CARD+P.C.B)

HALF-MINI CARD = 24.00 REF
 FULL-MINI CARD = 48.15 REF
 HALF-MINI CARD = 34.38 REF
 FULL-MINI CARD = 58.53 REF

x. ± 0.15	x° ±	UNITS	mm	NAME (INTENDED USE)	FOXCONN HON HAI PRECISION IND. CO., LTD. TAIPEI, TAIWAN, R.O.C.		
.x ± 0.10	.x° ±	MAT'L		MINI PCI EXPRESS CONNECTOR			
.xx ± 0.05	.xx° ±			PART NO. (INTENDED USE)	TITLE:		
.xxx ±	.xxx° ±	FINISH		AS0B22*-S52*-7H	CUSTOMER DRAWING		
THESE DRAWINGS AND SPECIFICATIONS ARE THE PROPERTY OF HON HAI PRECISION IND. CO., LTD. AND SHALL NOT BE REPRODUCED, COPIED OR USED IN ANY MANNER WITHOUT THE PRIOR WRITTEN CONSENT OF HON HAI PRECISION IND. CO., LTD.				APPD: Herry Yang	DWG NO.:		
				CHKD: Alex Wong	317-0000-2008		
				DR: Wang Justin 6/1'11			
					SCALE	SHEET	REV.
					N/A	3/7	C

IDEAS GENERATED DRAWING, DO NOT CHANGE BY HAND

REV.	ECN.	NO.	APPD.



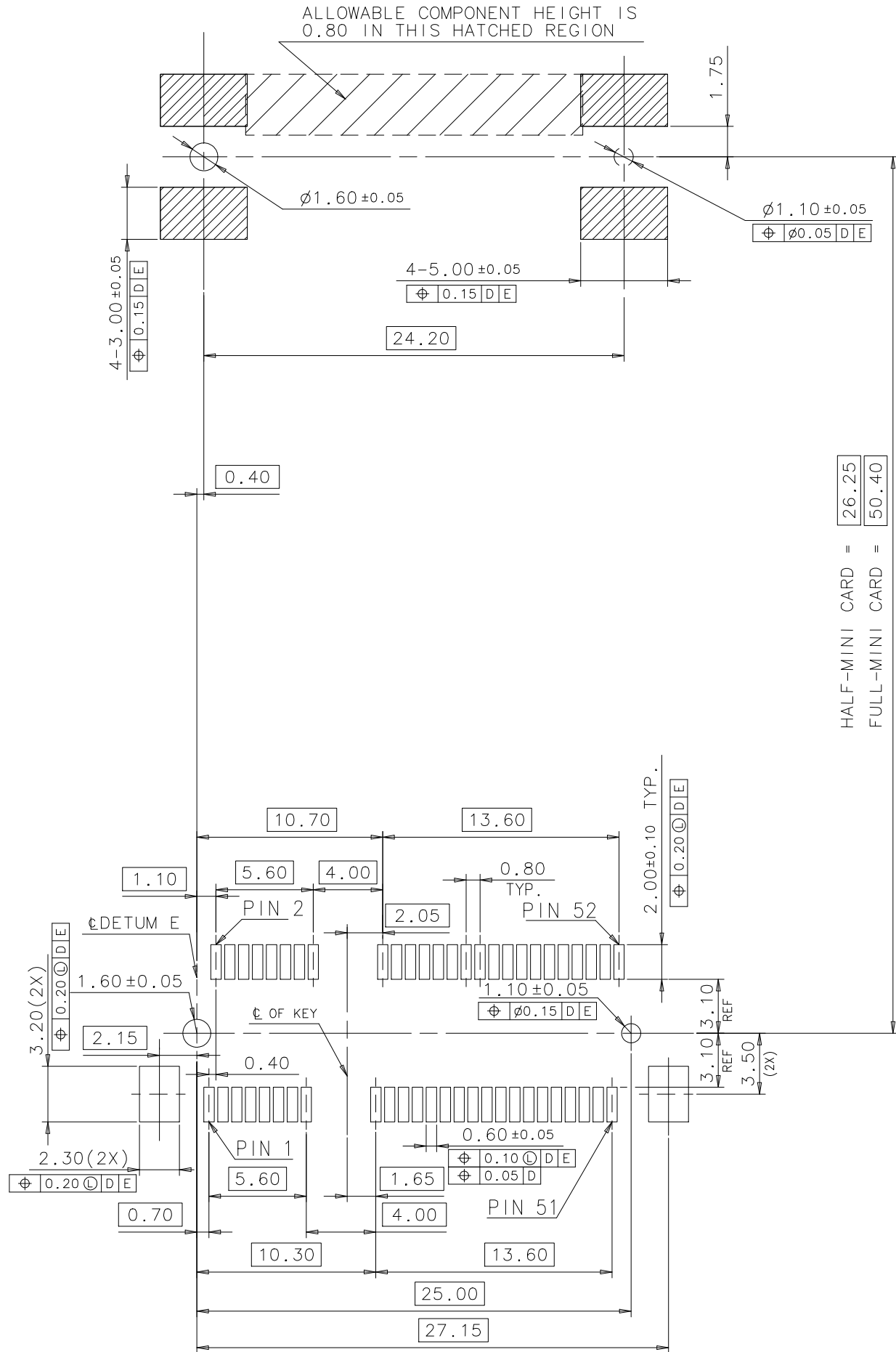
HALF-MINI CARD = 23.90
 FULL-MINI CARD = 48.05
 HALF-MINI CARD = 26.80^{+0.00}/_{-0.30}
 FULL-MINI CARD = 50.95^{+0.00}/_{-0.30}

x. ± 0.15	x° ±	UNITS	mm	NAME (INTENDED USE)	FOXCONN HON HAI PRECISION IND. CO., LTD. TAIPEI, TAIWAN, R.O.C.	
.x ± 0.10	.x° ±	MAT'L		MINI PCI EXPRESS CONNECTOR		
.xx ± 0.05	.xx° ±	FINISH		PART NO. (INTENDED USE)	TITLE:	
.xxx ±	.xxx° ±	Q'TY		AS0B22*-S52*-7H	CUSTOMER DRAWING	
THESE DRAWINGS AND SPECIFICATIONS ARE THE PROPERTY OF HON HAI PRECISION IND. CO., LTD. AND SHALL NOT BE REPRODUCED, COPIED OR USED IN ANY MANNER WITHOUT THE PRIOR WRITTEN CONSENT OF HON HAI PRECISION IND. CO., LTD.				APPD: Herry Yang	DWG NO.:	
				CHKD: Alex Wong	317-0000-2008	
				DR: Wang Justin 6/1'11		
				SCALE	SHEET	REV.
				N/A	4/7	C

IDEAS GENERATED DRAWING, DON'T CHANGE BY HAND

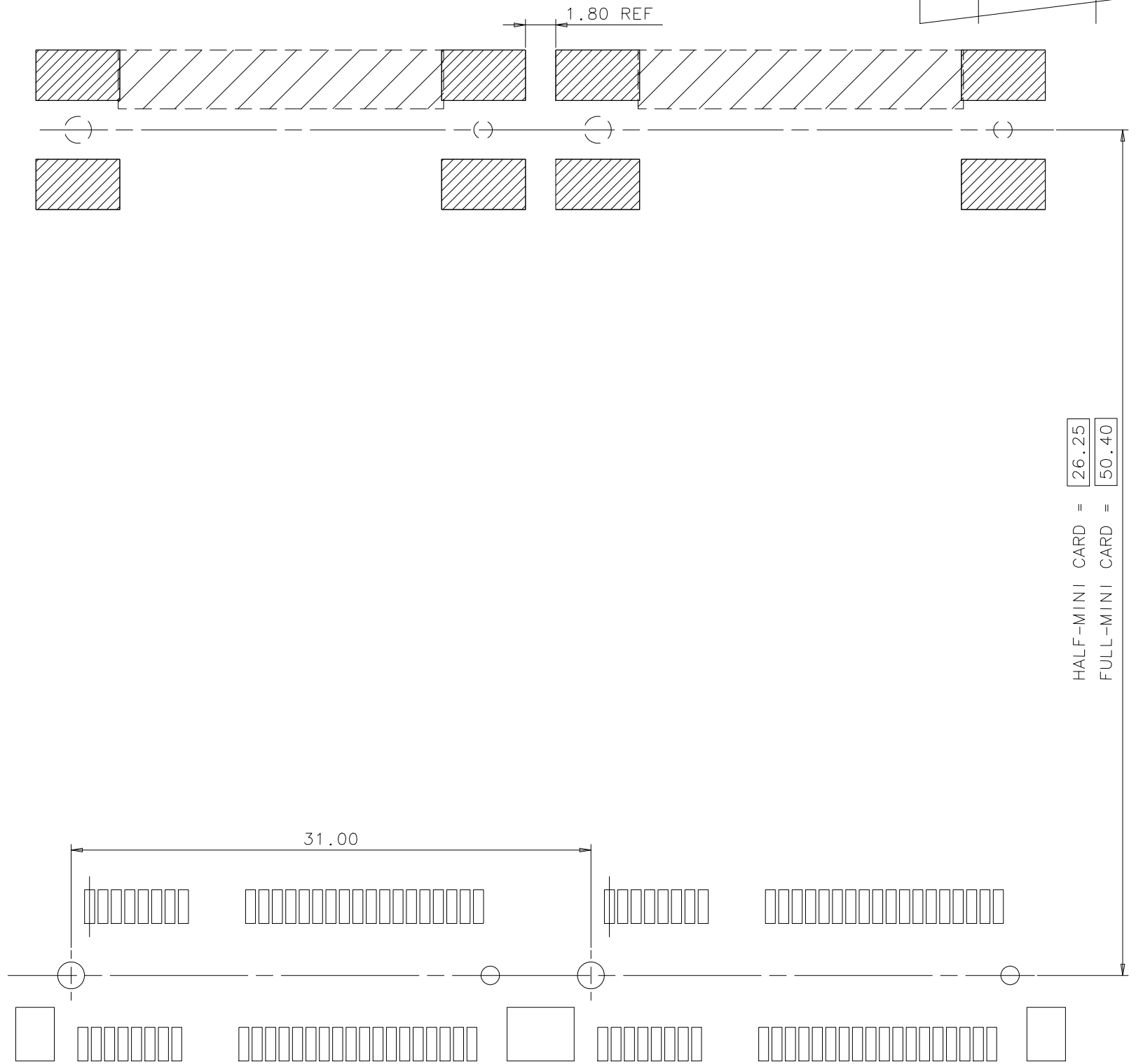
REV.	ECN.	NO.	APPD.
------	------	-----	-------

ALLOWABLE COMPONENT HEIGHT IS 0.80 IN THIS HATCHED REGION



HALF-MINI CARD = 26.25
FULL-MINI CARD = 50.40

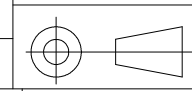
RECOMMENDED PCB LAYOUT
*DATUM D IS THE TOP SURFACE OF PCB



RECOMMENDED SIDE BY SIDE PCB LAYOUT

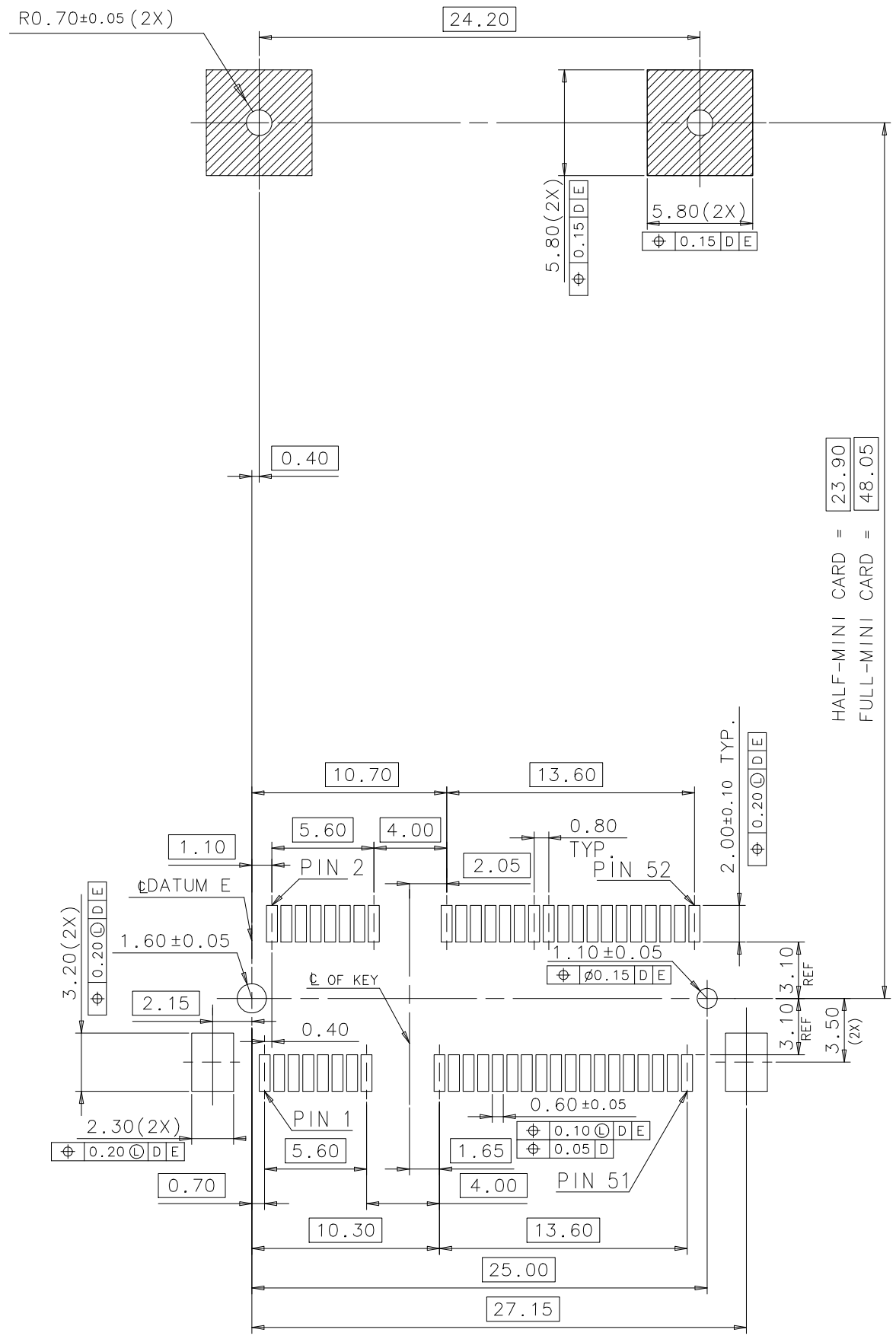
x. ± 0.15	x° ±	UNITS	mm	NAME (INTENDED USE)	FOXCONN HON HAI PRECISION IND. CO., LTD. TAIPEI, TAIWAN, R.O.C.
.x ± 0.10	.x° ±	MAT'L		MINI PCI EXPRESS CONNECTOR	
.xx ± 0.05	.xx° ±			PART NO. (INTENDED USE)	TITLE:
.xxx ±	.xxx° ±	FINISH		AS0B22*-S52*-7H	CUSTOMER DRAWING
THESE DRAWINGS AND SPECIFICATIONS ARE THE PROPERTY OF HON HAI PRECISION IND. CO., LTD. AND SHALL NOT BE REPRODUCED, COPIED OR USED IN ANY MANNER WITHOUT THE PRIOR WRITTEN CONSENT OF HON HAI PRECISION IND. CO., LTD.				APPD: Herry Yang	DWG NO.:
				CHKD: ZH.Wang	317-0000-2008
				DR: Wang Justin 6/1'11	SCALE
					SHEET
					REV.
					N/A
					5/7
					C

HALF-MINI CARD = 26.25
FULL-MINI CARD = 50.40



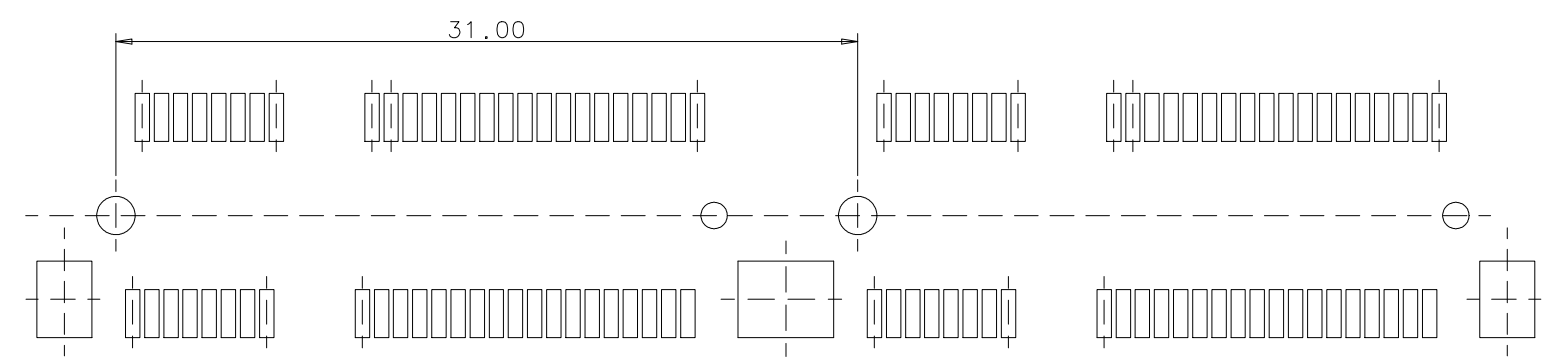
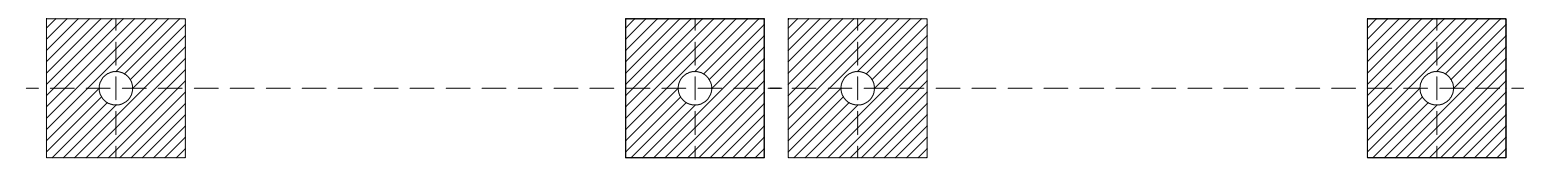
IDEAS GENERATED DRAWING, DO NOT CHANGE BY HAND

REV.	ECN.	NO.	APPD.



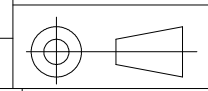
RECOMMENDED PCB LAYOUT(WITH NUT)
*DATUM D IS THE TOP SURFACE OF PCB

HALF-MINI CARD = 23.90
FULL-MINI CARD = 48.05



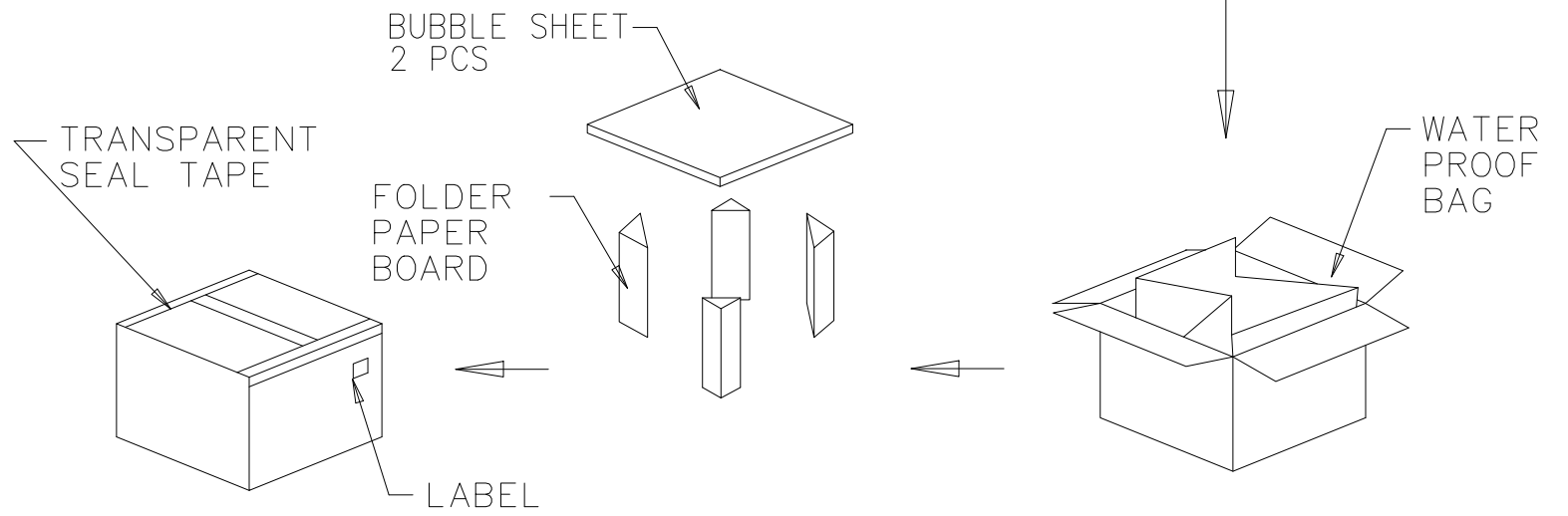
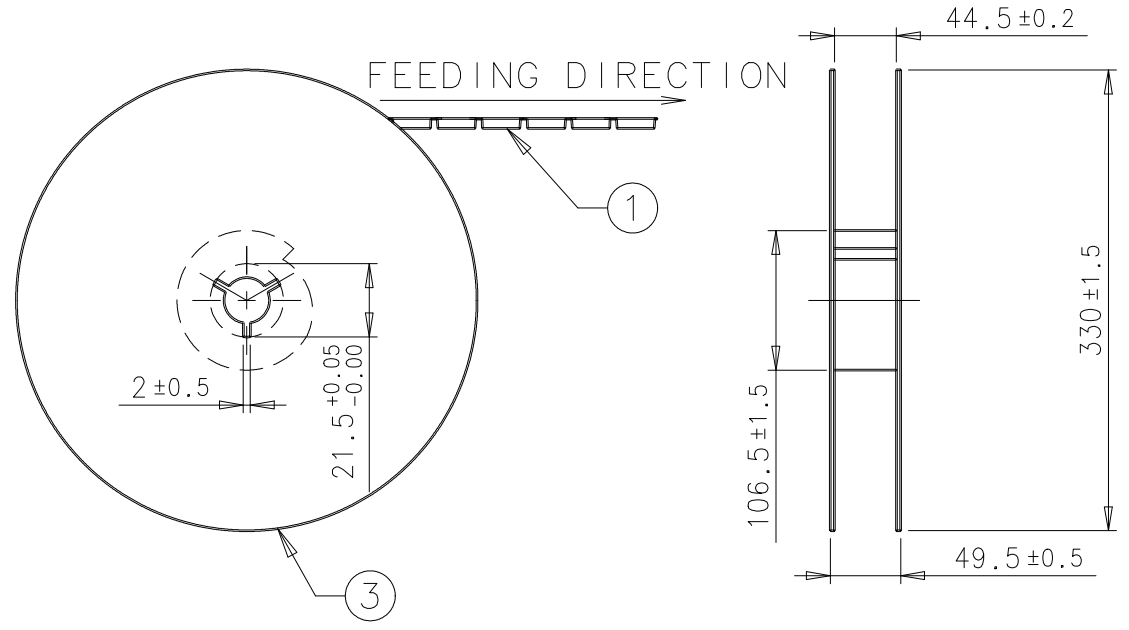
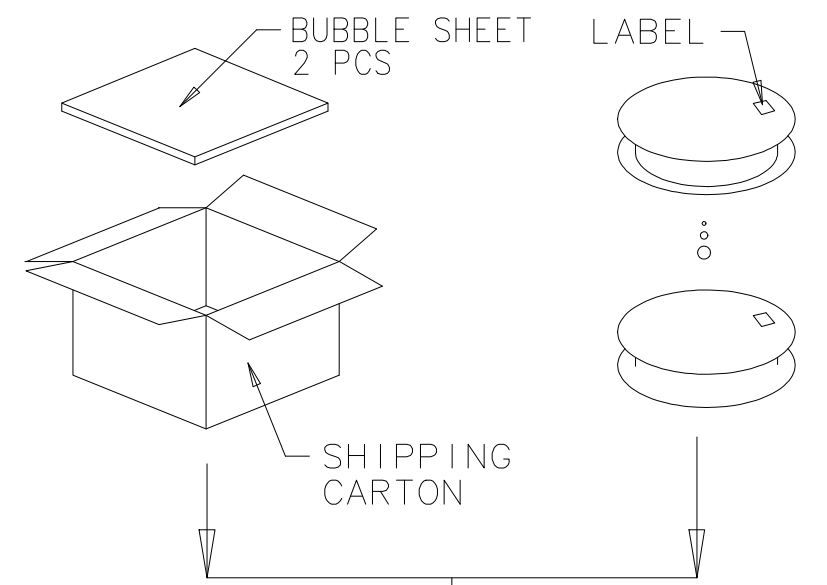
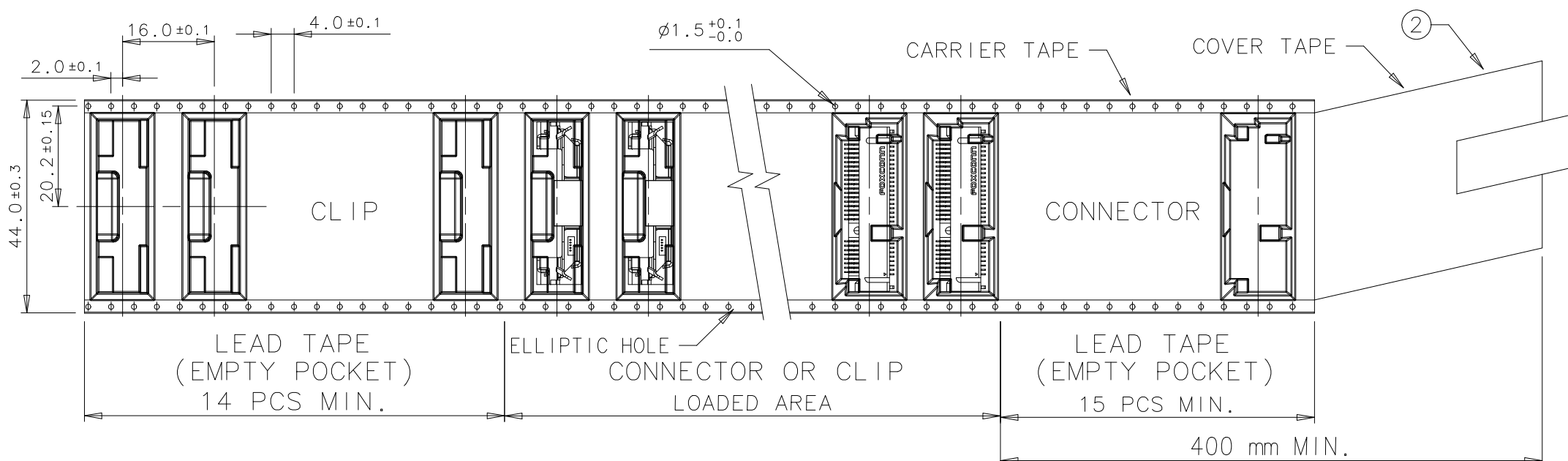
RECOMMENDED SIDE BY SIDE PCB LAYOUT(WITH NUT)

x. ± 0.15	x° ±	UNITS mm	NAME (INTENDED USE)	FOXCONN HON HAI PRECISION IND. CO., LTD. TAIPEI, TAIWAN, R.O.C.
.x ± 0.10	.x° ±		MINI PCI EXPRESS CONNECTOR	
.xx ± 0.05	.xx° ±	MAT'L	PART NO. (INTENDED USE)	TITLE:
.xxx ±	.xxx° ±		FINISH	ASOB22*-S52*-7H
THESE DRAWINGS AND SPECIFICATIONS ARE THE PROPERTY OF HON HAI PRECISION IND. CO., LTD. AND SHALL NOT BE REPRODUCED, COPIED OR USED IN ANY MANNER WITHOUT THE PRIOR WRITTEN CONSENT OF HON HAI PRECISION IND. CO., LTD.			APPD: Herry Yang	DWG NO.:
			CHKD: Alex Wong	317-0000-2008
Q'TY			DR: Wang Justin 6/1'11	SCALE SHEET REV.
				N/A 6/7 C

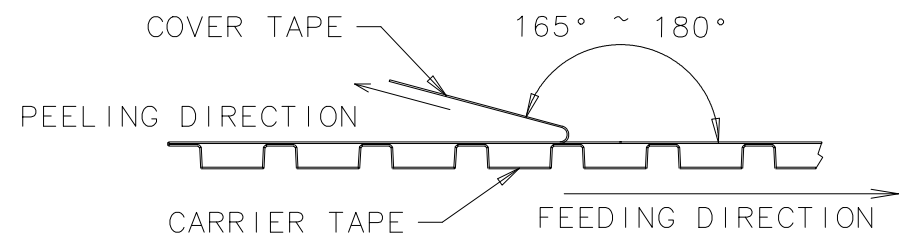


REV.	ECN.	NO.	APPD.

FEEDING DIRECTION



- NOTES:
- 10 POCKETS HOLE PITCH CUMULATIVE TOLERANCE $\pm 0.20\text{mm}$.
 - COVER TAPE PEELING STRENGTH : 0.01 kgf MIN & 0.13 kgf MAX. AT 300mm/min.



3. PACKING CAPACITY :

PART No.	PCS / REEL	REEL / BOX	PCS / BOX
ASOB22*-S52Q-7H	500	5	2500
ASOB22*-S52K-7H	500	5	2500

ITEM	DESCRIPTION	MATERIAL
③	REEL	POLYSTYRENE
②	COVER TAPE	POLYSTER
①	CARRIER TAPE	POLYSTYRENE

x. ± 0.30	x° ±	UNITS	mm	NAME (INTENDED USE)	FOXCONN HON HAI PRECISION IND. CO., LTD. TAIPEI, TAIWAN, R.O.C.
.x ± 0.25	.x° ±	MAT'L		MINI PCI EXPRESS CONNECTOR	
.xx ± 0.15	.xx° ±			PART NO. (INTENDED USE)	TITLE:
.xxx ±	.xxx° ±	FINISH		ASOB22*-S52*-7H	CUSTOMER DRAWING
THESE DRAWINGS AND SPECIFICATIONS ARE THE PROPERTY OF HON HAI PRECISION IND. CO., LTD. AND SHALL NOT BE REPRODUCED. COPIED OR USED IN ANY MANNER WITHOUT THE PRIOR WRITTEN CONSENT OF HON HAI PRECISION IND. CO., LTD.				APPD: Herry Yang	DWG NO.:
				CHKD: Alex Wong	317-0000-2008
				DR: Wang Justin 6/1'11	
		SCALE	SHEET	REV.	
		N/A	7/7	C	

X-ON Electronics

Largest Supplier of Electrical and Electronic Components

Click to view similar products for [Board to Board & Mezzanine Connectors](#) category:

Click to view products by [Foxconn](#) manufacturer:

Other Similar products are found below :

[589158040000018](#) [MDF7C-18P-2.54DSA\(55\)](#) [FCN-268F036-G/BD](#) [FCN-268M012-G/0D](#) [FCN-268M024-G/1D](#) [MIS-048-01-F-D-DP-K](#)
[832-10-034-10-001000](#) [FX4C-80S-1.27DSA](#) [93696-330](#) [224393](#) [FCN-235D050-G/C](#) [210-93-314-41-105000](#) [MDF7-40DP-2.54DSA\(55\)](#)
[55323-1519](#) [069159702701000](#) [101A10019X](#) [105061100000861+](#) [75140-7012](#) [87471-650](#) [1744382-4](#) [063209](#) [10124054-515LF](#) [68685-603](#)
[8-1616154-3](#) [541371078](#) [IL-WX-10PB-HF-B-E1000E](#) [FX23-40P-0.5SV15B](#) [FCN-214J100-G/0](#) [354184](#) [P50-028-DDS-TG](#) [53309-2471](#)
[54546-2071](#) [1586617-1](#) [504248-1210](#) [504248-2010](#) [1-1437355-2](#) [9159005551906](#) [NDS100-004-BF](#) [93696-730LF](#) [91922-31141LF](#) [505274-](#)
[3440](#) [501493-2410](#) [504208-3410](#) [505006-0811](#) [505274-2040](#) [202436-1600](#) [202477-0414](#) [71660-7580](#) [73420-5192](#) [360-10-107-00-001000](#)