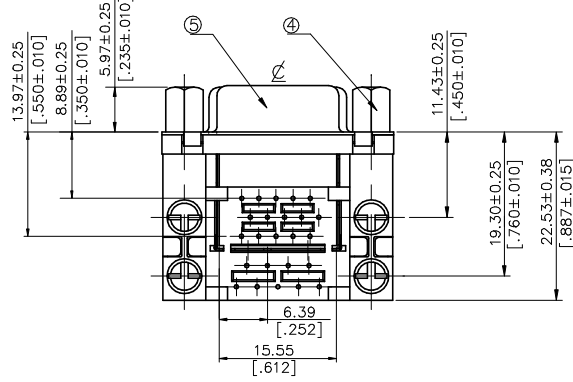
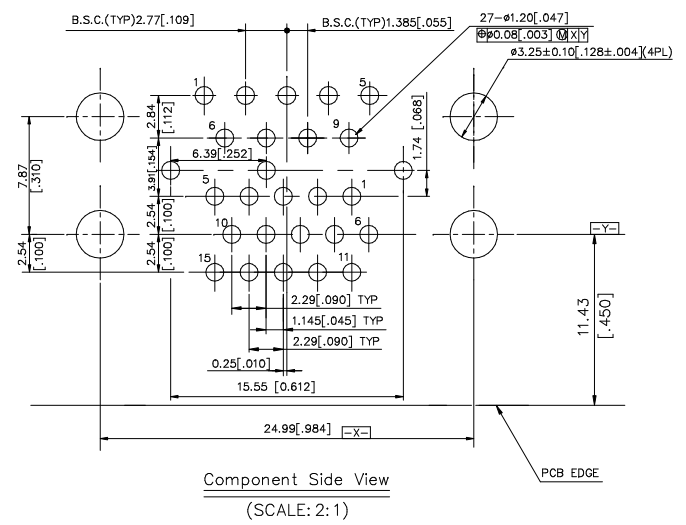
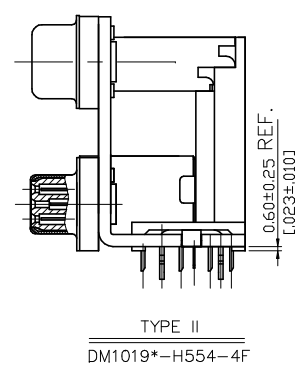
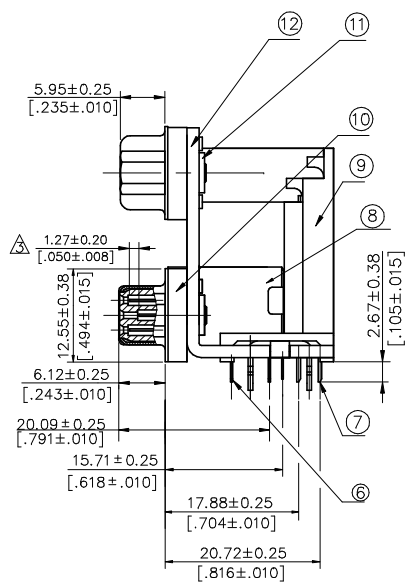
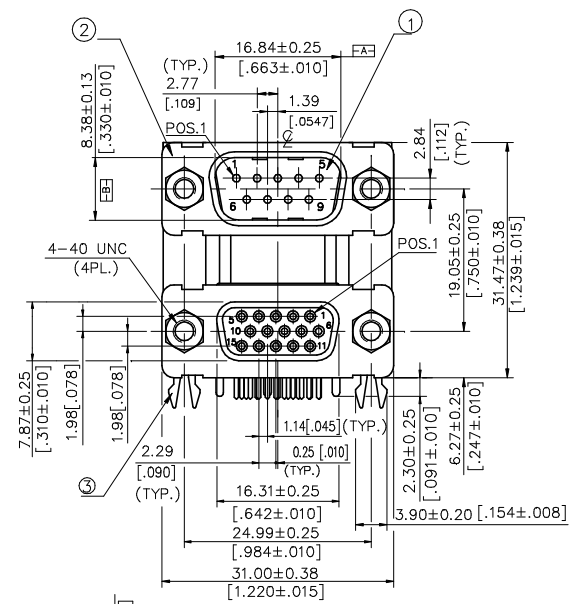


REV.	ECN NO.	APPD.
A	BC-10-0053336	Croel Zhu
B	BC-11-0083158	Croel Zhu



P/N: DM 1 0 1 9 \* -H55\*-4F

LEAD FREE PART NUMBER

H554= WITHOUT FEMALE SCREW LOCK  
H555= WITH FEMALE SCREW LOCK

CONTACT GOLD PLATING AREA:  
1=GOLD FLASH  
2=20u"  
3=30u"

**SPECIFICATION:**

1.PERFORMANCE

1-1.ELECTRICAL CHARACTERISTICS:

1-1-1.CONTACT CURRENT RATING:2 AMPERES

1-1-2.CONTACT RESISTANCE: 35 MILLIOHMS MAX.(UPPER)  
30 MILLIOHMS MAX.(LOWER)

1-1-3.DIELECTRIC WITHSTANDING VOLTAGE: 1000VAC RMS.  
AT SEA LEVEL

1-1-4.INSULATION RESISTANCE: 5000 MEGOHMS MIN.

1-2.MECHANICAL CHARACTERISTICS

1-2-1.CONTACT ENGAGEMENT FORCE: 0.340Kgf MAX.  
(ONLY FOR FEMALE CONTACT)

1-2-2.CONTACT SEPARATION FORCE: 0.021Kgf MIN.  
(ONLY FOR FEMALE CONTACT)

1-2-3.CONTACT RETENTION FORCE(AFTER ASS'Y):  
1.50Kgf.(MIN.)---(UPPER)  
1.00Kgf.(MIN.)---(LOWER)

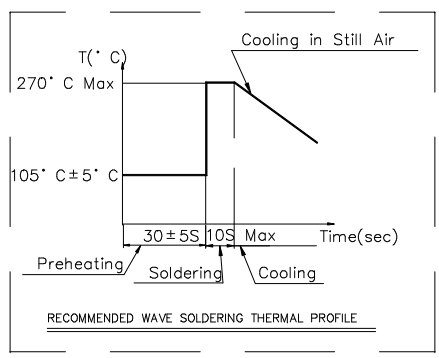
1-2-4.DURABILITY : 500 CYCLES

1-2-5.OPERATING TEMPERATURE: -55°C TO +85°C.

NOTES: 1. ALL BRACKETED DIMENSIONS ARE IN INCHES.  
2. RECOMMENDED P.C. BOARD THICKNESS IS 1.57±0.08[.062±.003]  
3. ONLY FOR NO.9 CONTACT(LOWER CONNECTOR).

12	BRACKET	2	STEEL	TIN PLATED	
11	CLINCH NUT	4	ZINC ALLOY	ZINC PLATED	
10	INSULATOR-FEMALE	1	THERMOPLASTIC UL 94V-0	MOLDED BLUE 661C	
9	SPACER	1	THERMOPLASTIC UL 94V-0	MOLDED BLUE 661C	
8	SHIELDING	1	COPPER ALLOY	TIN PLATED	
7	CONTACT-MALE	9	COPPER ALLOY	GOLD PLATING AT CONTACT AREA, Sn ALLOY (LEAD FREE) AT TAIL, OVER NICKEL OVERALL.	
6	CONTACT-FEMALE	15	COPPER ALLOY	GOLD PLATING AT CONTACT AREA, Sn ALLOY (LEAD FREE) AT TAIL, OVER NICKEL OVERALL.	
5	METAL SHELL (FEMALE)	1	STEEL	TIN PLATED	
4	FEMALE SCREW LOCK	4	METAL	NICKEL PLATED	FOR TYPE I
3	HOOK	2	COPPER ALLOY	TIN PLATED	
2	METAL SHELL (MALE)	1	STEEL	TIN PLATED	
1	INSULATOR-MALE	1	THERMOPLASTIC UL 94V-0	MOLDED TEAL 322C	

ITEM	DESC.	Q'TY	MATERIAL	TREATMENT	REMARK
X.±	X'.±	UNITS	NAME(INTENDED USE)		
.XX±	.XX'±	mm[INCH]	CUSTOMER		
.XX±0.25[.010]	.XX'±	MAT'L	PART NO.(INTENDED USE)		
.XXX±	.XXX'±	N/A	DM1019*-H55*-4F		
		FINISH	TITLE: DUAL PORT-PUPA		
		N/A	MALE 9P/H/D FEMALE 15P		
		Q'TY	APPD: Corel Zhu 7/20'11		
		N/A	CHKD: J W Gu 7/20'11		
			DWG NO.: 301-0000-2242		
			DR: Wang Wei 7/20'11		
			SCALE	SHEET	REV.
			1:1	1/1	B



THESE DRAWINGS AND SPECIFICATIONS ARE THE PROPERTY OF HON HAI PRECISION IND. CO., LTD. AND SHALL NOT BE REPRODUCED, COPIED OR USED IN ANY MANNER WITHOUT THE PRIOR WRITTEN CONSENT OF HON HAI PRECISION IND. CO., LTD.

## X-ON Electronics

Largest Supplier of Electrical and Electronic Components

*Click to view similar products for [Foxconn](#) manufacturer:*

Other Similar products are found below :

[AS0A821-H2RB-7H](#) [PE41897-01NK5-1H](#) [JFM3811J-G140-4F](#) [QT012206-1031-2H](#) [UC11123-11KB-4F](#) [UEA11123-8EZ3-4H](#) [2EG04927-D2LN-DF](#) [SJ05201-A0](#) [UEA11123-QHD6-4H](#) [UB1112C-8FDE-4F](#) [3H993321-4M41-01H](#) [ATF5883-A2B30-2F](#) [ATF5883-A2B20-2F](#) [WNMBL60-1NNK0-EH](#) [WNMBP06-01NK0-EH](#) [HM3505E-P1](#) [AH58897-T2B20-3F](#) [DZ11AA1-H5A7-4F](#) [ASAA821-H4SB5-7H](#) [PE36473-01NK3-1H](#) [PE36473-01NK4-1H](#) [QH11121-DBT1-4F](#) [BBH1231-C1000-7H](#) [ATH4017-H3B-4F](#) [3S1020F3-AD4-4F](#) [2EF5B57-DA9DN-5F](#) [UEA01123-4FH1-4H](#) [2EM5407-B19BL-8F](#) [LU11683-B007-9H](#) [HB3106F](#) [LDH2363-33N20-7H](#) [ATH4017-H9LE-4F](#) [UEA1112C-UHS6-4F](#) [2EF5497-DA9DB-8H](#) [LDP2683-13A50-9H](#) [JPD1030-M301-7F](#) [2E0BC21-S64BM-7H](#) [2EZ00161-PH2-4F](#) [HC11051-D4](#) [LD1807F-S54TD](#) [2EG24927-D5D1-JF](#) [ASOB226-S52Q-7H](#) [AS0A626-HASN-7H](#) [HF5504E-P1LH](#) [JA634C-40ADA5B-7H](#) [AS0A621-H2R6-7H](#) [QT002206-4131-3H](#) [JFM24U11-21C3-4F](#) [EH06003-DAW-DF](#) [AS0B221-S52Q-7H](#)