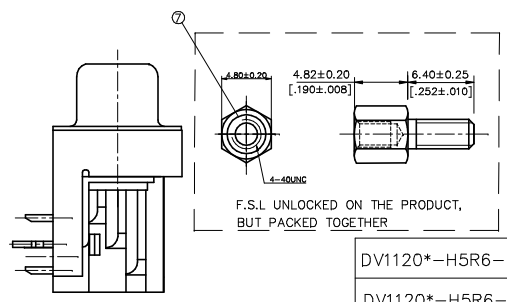
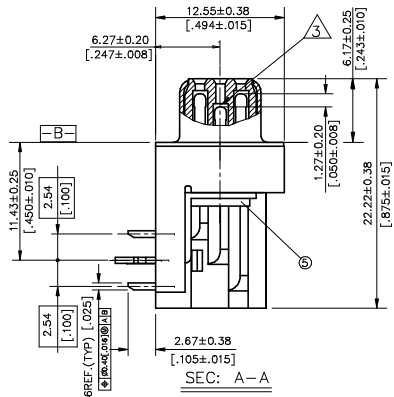
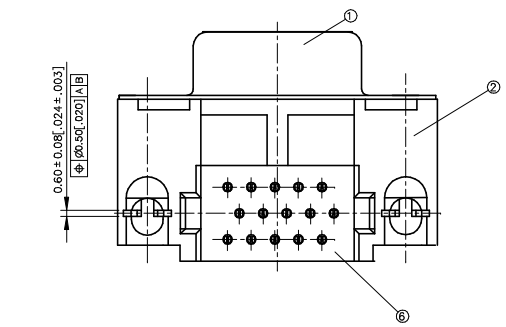
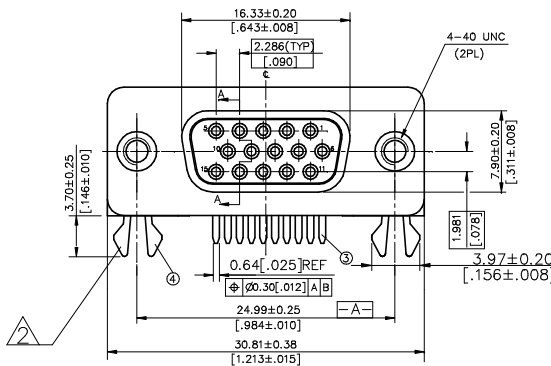
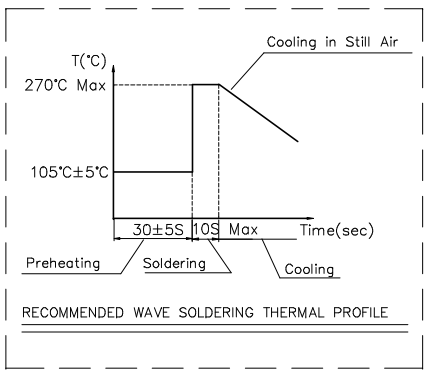


PRODUCT NO.: DV1120*-H5R6-*F

REV.	ECN. NO.	APPD.
A	BC05750381	Corel
B	BC-09-702289	Corel

VGA Series
 Body Type
 1=Right Angle PCB Mount
 Termination Type
 1=Female
 NO. of Pos.
 2=H/D 15 Pos.
 Body Length
 0=8.89

Lead Free Code
 Extension Code
 Contact Area Plating
 1=Gold Flash
 3=Gold Plating 30u"

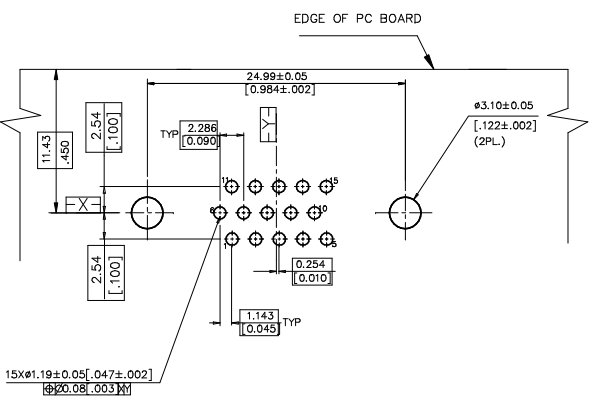


NOTES:

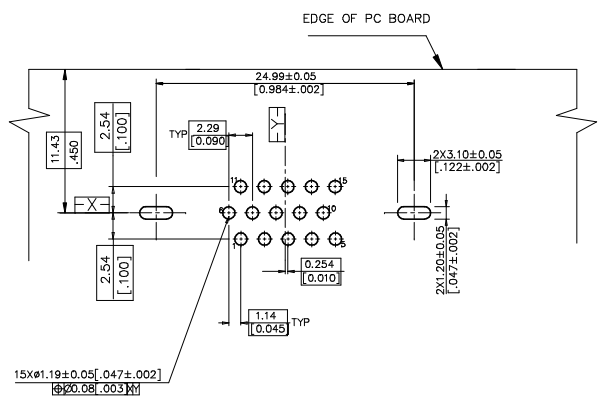
- ALL BRACKETED DIMENSIONS ARE "INCH".
 HOOK ACCEPT P.C.B. THICKNESS 1.57 ± 0.08 [0.062 ± 0.003].
- #9 CONTACT IS RECESSED.
- SPECIFICATION:
 - ELECTRICAL CHARACTERISTICS:
 - CONTACT CURRENT RATING: 2 AMPERES.
 - CONTACT RESISTANCE: 25 milliohms (MAX.).
 - INSULATION RESISTANCE: 5000 Megohms (MIN).
 - DIELECTRIC WITHSTANDING VOLTAGE: 1000 VAC (MIN).
 - MECHANICAL CHARACTERISTICS
 - CONTACT ENGAGEMENT FORCE: 0.340Kgf. (MAX.).
 - CONTACT SEPARATION FORCE: 0.021Kgf. (MIN.).
 - CONTACT RETENTION FORCE: 1.82Kgf. (MIN.).
 - DURABILITY: 500 CYCLES.
 - ENDURANT TWISTING FORCE OF SCREW: 5.77KGF*CM MAX.
 - ENVIRONMENT CHARACTERISTICS:
 - OPERATING TEMPERATURE: -55 °C TO +105 °C
- "RoHS" COMPLIANT.

TYPE I

TYPE II



LAYOUT(Component Side View)



LAYOUT(Component Side View)

FOR SPECIAL CUSTOMER REQUIREMENT

DV1120*-H5R6-PF	TYPE II	F.S.L UNLOCKED ON THE PRODUCT,BUT PACKED TOGETHER	
DV1120*-H5R6-4F	TYPE I	THE PRODUCT WITHOUT F.S.L	
PART NO.	TYPE	NOTES	
7	FEMALE SCREW LOCK	2	METAL NICKEL PLATED
6	SPACER	1	THERMOPLASTIC UL 94V-0 MOLDED COLOR: BLUE 661C
5	CLINCH NUT	2	ZINC ZINC PLATED
4	BOARD LOCK	2	METAL TIN PLATED
3	CONTACT	15	COPPER ALLOY GOLD PLATING AT CONTACT AREA,100-200u" Sn ALLOY (LEAD FREE) AT TAIL, OVER 50u" NICKEL OVER ALL.
2	HOUSING	1	THERMOPLASTIC UL 94V-0 MOLDED COLOR: BLUE 661C
1	SHELL	1	METAL TIN PLATED
ITEM	DESC.	Q'TY	TREATMENT

X.±	X'±	UNITS, mm [INCH]	NAME (INTENDED USE)	FOXCONN HON HAI PRECISION IND. CO.,LTD. TAIPEI, TAIWAN, R.O.C.
.X ±	.X' ±	MAT'L	CUSTOMER	
.XX ±0.25[.010]	.XX' ±	N/A	PART NO.(INTENDED USE)	TITLE: HIGH DENSITY D-SUB R/A FEMALE
.XXX ±	.XXX' ±	FINISH	DV1120*-H5R6-*F	DWG NO.: 301-0000-1359
		Q'TY	APPD: Corel Zhu 3/9/09	
			CHKD: X.H. Xiang 3/9/09	
			DR: Yanyan Huo 3/9/09	
			SCALE	SHEET
			1:1	1/1
			REV.	B

THESE DRAWINGS AND SPECIFICATIONS ARE THE PROPERTY OF HON HAI PRECISION IND. CO., LTD. AND SHALL NOT BE REPRODUCED, COPIED OR USED IN ANY MANNER WITHOUT THE PRIOR WRITTEN CONSENT OF HON HAI PRECISION IND. CO., LTD.

X-ON Electronics

Largest Supplier of Electrical and Electronic Components

Click to view similar products for [HDMI, Displayport & DVI Connectors](#) category:

Click to view products by [Foxconn](#) manufacturer:

Other Similar products are found below :

[30-1231](#) [30-528](#) [30-504](#) [30-519](#) [33DVIR-24S1B](#) [47648-2000](#) [2002-400](#) [TC142X](#) [769-103/021-000](#) [1932649-1](#) [CP30200GM3](#) [67881](#)
[HBLBH](#) [HBLBI](#) [HAFBG](#) [HAFBH](#) [HAGBF](#) [HAGBG](#) [HAGBJ](#) [HBLBJ](#) [AABIE](#) [AABIF](#) [AABIG](#) [AABIH](#) [AABIJ](#) [AABIK](#) [AACBE](#)
[AACBF](#) [AACBG](#) [ABIBF](#) [ABIBG](#) [ABIBH](#) [AACBH](#) [AACBI](#) [AACBJ](#) [AACBK](#) [AACBL](#) [AAIBD](#) [AAIBF](#) [AAIBI](#) [AANBJ](#) [AAQBH](#)
[AAQBI](#) [AARBG](#) [AARBH](#) [AARBI](#) [AAXBD](#) [ABA AF](#) [ABBBF](#) [AIDB0](#)