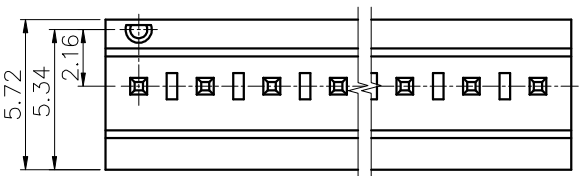
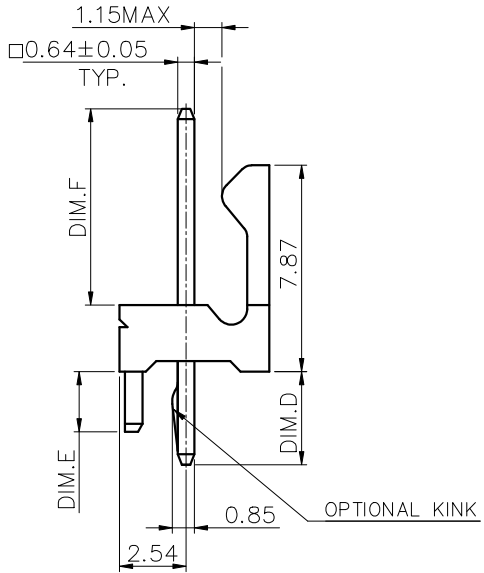
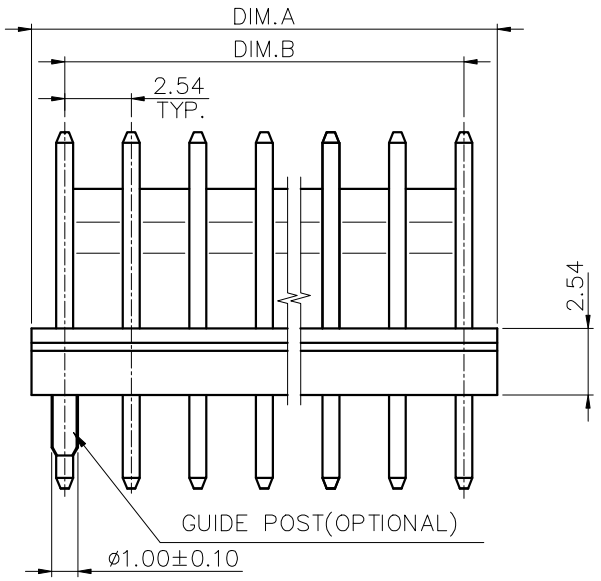
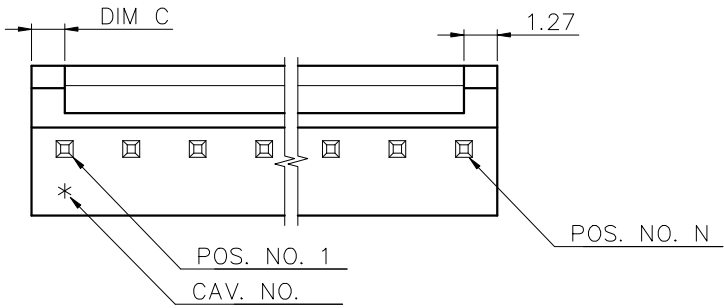


REV.	ECN. NO.	APPD.
A	BC-17-0006889	Shih-wei Hsiao
B	BC-19-0027276	Shih-wei Hsiao
C	BC-20-0016435	Shih-wei Hsiao
D	BC-22-0000516	Shih-wei Hsiao

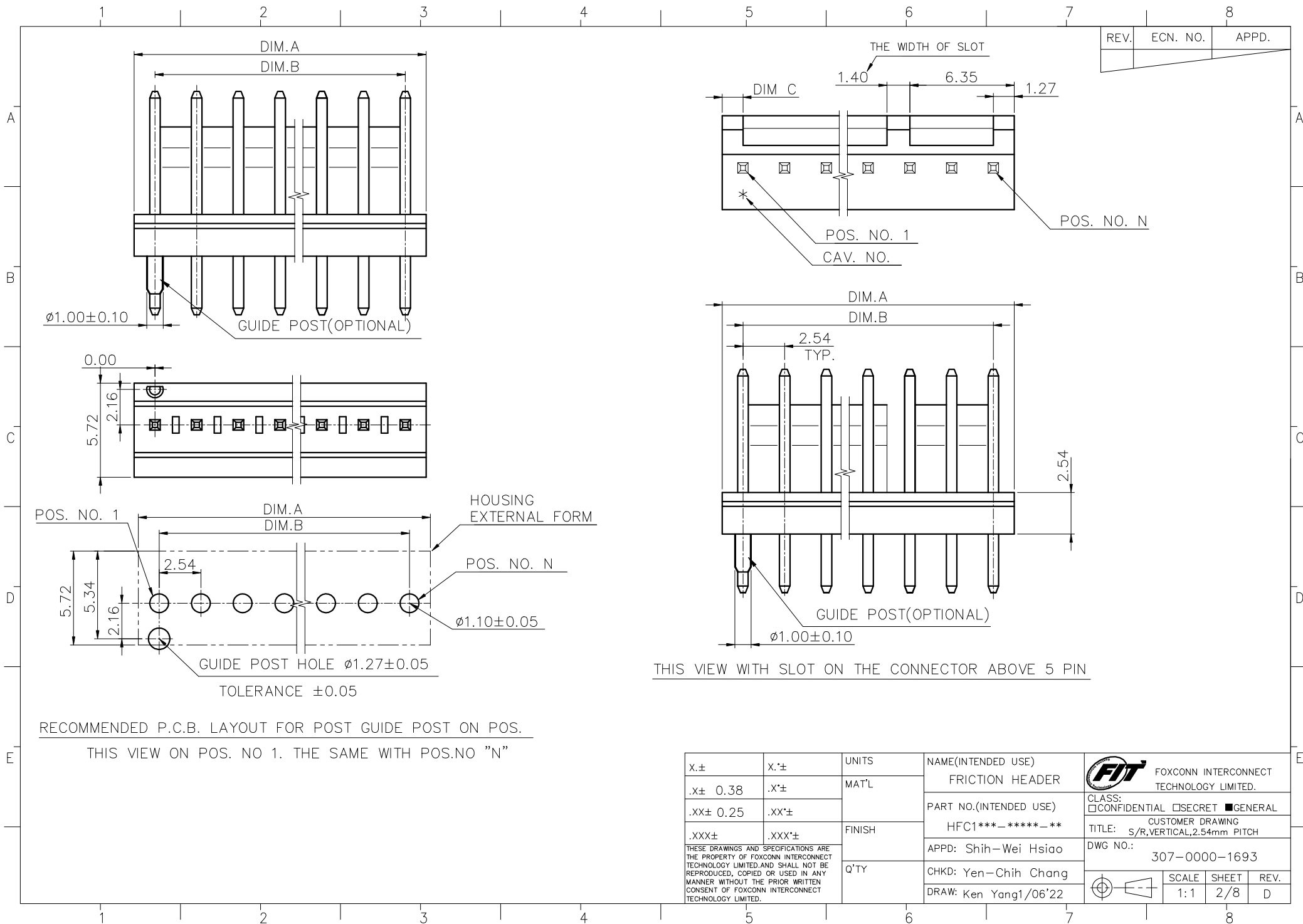
- NOTES: (UNLESS OTHERWISE SPECIFIED)
- DIMENSIONS SHALL BE INTERPRETED PER ASME Y14.5-2009.
  - SPECIFICATIONS OF PRODUCT ARE SHOWN ON DRAWING "307-0300-1693".
  - MATERIALS OF PARTS ARE SHOWN ON DRAWING "307-0500-1693".
  - PRODUCT NO. MATRIX: SEE DRAWING "307-0500-1693".
  - HARMFUL MATERIAL CONTROL PLEASE FOLLOW FOXCONN'S DOC. "EP112".
  - THE CONCENTRATIONS OF BR&CL CAN SATISFY THE REQUIREMENTS OF HALOGEN-FREE IN DOCUMENT "EP112"
  - PLEASE CONTACT FOXCONN'S SALES REPRESENTATIVE TO VERIFY PRODUCT DETAIL & AVAILABILITY.



HFC116*-*****-**	16	40.64	38.10
HFC115*-*****-**	15	38.10	35.56
HFC114*-*****-**	14	35.56	33.02
HFC113*-*****-**	13	33.02	30.48
HFC112*-*****-**	12	30.48	27.94
HFC111*-*****-**	11	27.94	25.40
HFC110*-*****-**	10	25.40	22.86
HFC109*-*****-**	9	22.86	20.32
HFC108*-*****-**	8	20.32	17.78
HFC107*-*****-**	7	17.78	15.24
HFC106*-*****-**	6	15.24	12.70
HFC105*-*****-**	5	12.70	10.16
HFC104*-*****-**	4	10.16	7.62
HFC103*-*****-**	3	7.62	5.08
HFC102*-*****-**	2	5.08	2.54

PART NO. NO. OF POS. DIM. A DIM. B

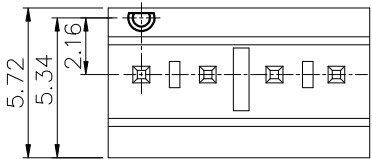
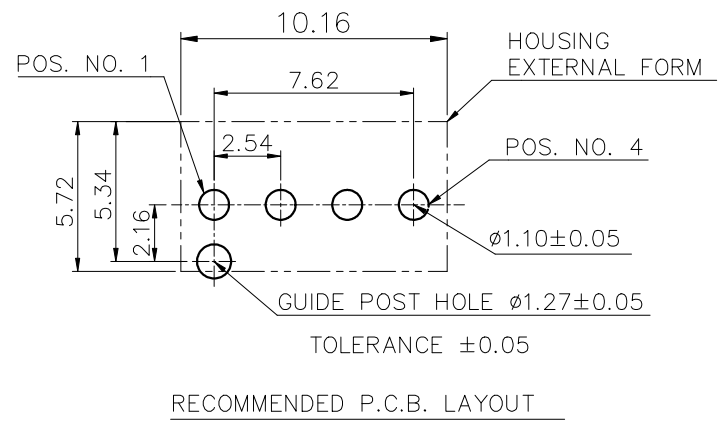
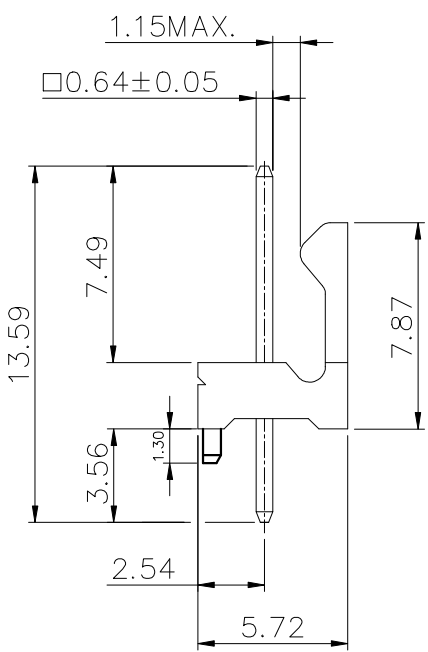
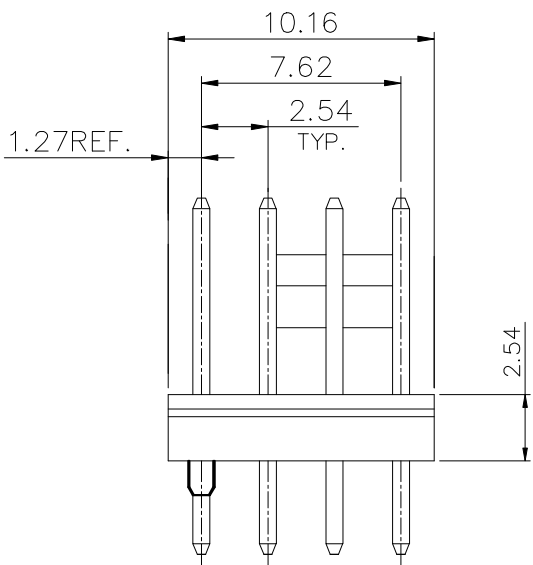
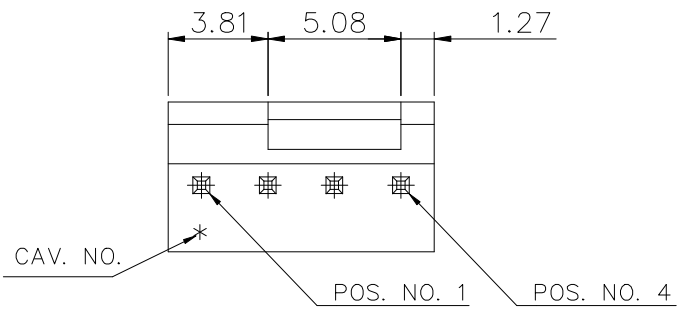
.X±	X*±	UNITS	NAME(INTENDED USE)	FOXCONN INTERCONNECT TECHNOLOGY LIMITED. CLASS: <input type="checkbox"/> CONFIDENTIAL <input type="checkbox"/> SECRET <input checked="" type="checkbox"/> GENERAL CUSTOMER DRAWING TITLE: S/R,VERTICAL,2.54mm PITCH DWG NO.: 307-0000-1693
.X± 0.38	X*±	MAT'L	FRICION HEADER	
.XX± 0.25	.XX*±	FINISH	PART NO.(INTENDED USE)	SCALE SHEET REV. 1:1 1/8 D
.XXX±	.XXX*±		HFC1***-*****-**	
THESE DRAWINGS AND SPECIFICATIONS ARE THE PROPERTY OF FOXCONN INTERCONNECT TECHNOLOGY LIMITED,AND SHALL NOT BE REPRODUCED, COPIED OR USED IN ANY MANNER WITHOUT THE PRIOR WRITTEN CONSENT OF FOXCONN INTERCONNECT TECHNOLOGY LIMITED.			APPD: Shih-Wei Hsiao	
			Q'TY	



REV.	ECN. NO.	APPD.
------	----------	-------

X.±	X.*±	UNITS	NAME(INTENDED USE)	FOXCONN INTERCONNECT TECHNOLOGY LIMITED. CLASS: <input type="checkbox"/> CONFIDENTIAL <input type="checkbox"/> SECRET <input checked="" type="checkbox"/> GENERAL CUSTOMER DRAWING TITLE: S/R,VERTICAL,2.54mm PITCH DWG NO.: 307-0000-1693	
.X± 0.38	.X*±	MAT'L	FRICTION HEADER		
.XX± 0.25	.XX*±	FINISH	PART NO.(INTENDED USE)	SCALE SHEET REV. 1:1 2/8 D	
.XXX±	.XXX*±		HFC1***-****-**		
THESE DRAWINGS AND SPECIFICATIONS ARE THE PROPERTY OF FOXCONN INTERCONNECT TECHNOLOGY LIMITED,AND SHALL NOT BE REPRODUCED, COPIED OR USED IN ANY MANNER WITHOUT THE PRIOR WRITTEN CONSENT OF FOXCONN INTERCONNECT TECHNOLOGY LIMITED.			APPD: Shih-Wei Hsiao	CHKD: Yen-Chih Chang DRAW: Ken Yang1/06'22	
			Q'TY		

REV.	ECN. NO.	APPD.
------	----------	-------

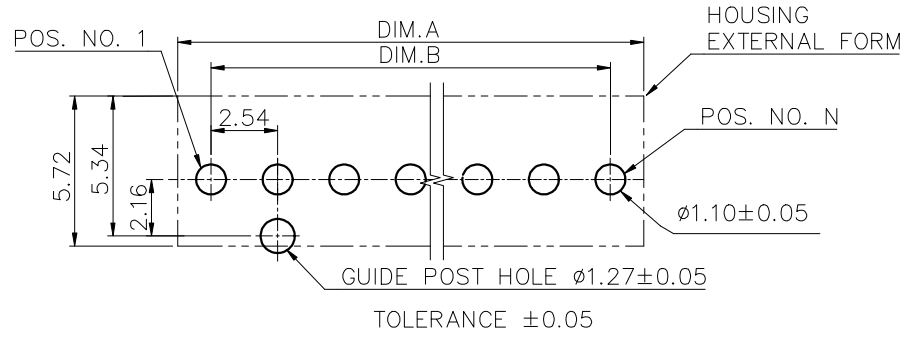
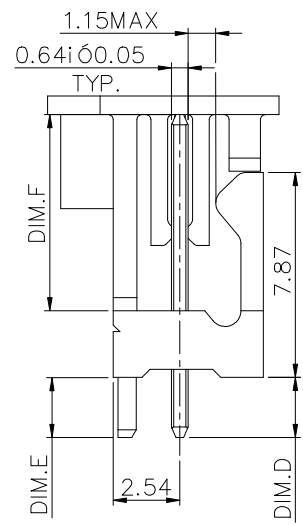
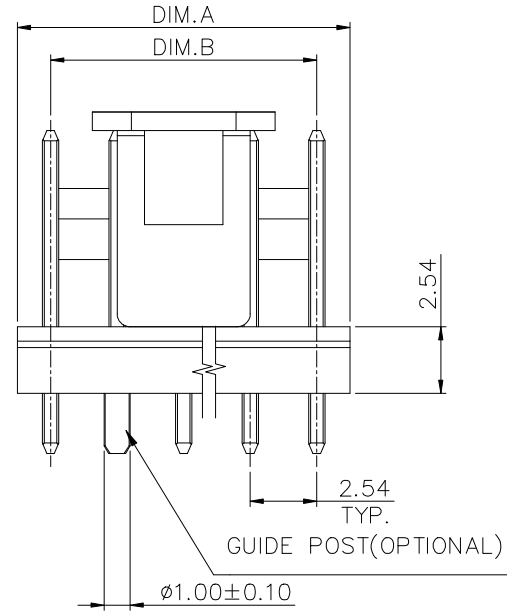
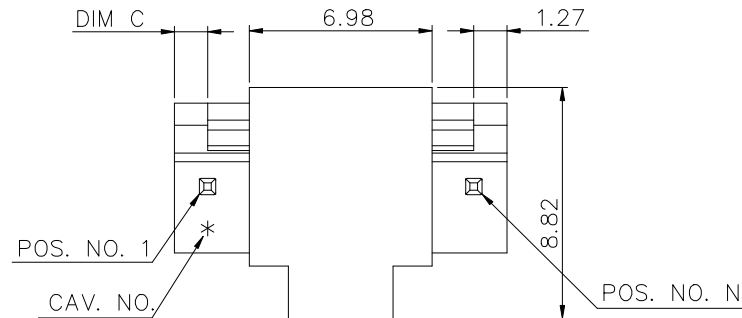


HFC104*-A0M2D-E*	4
PART NO.	NO. OF POS.

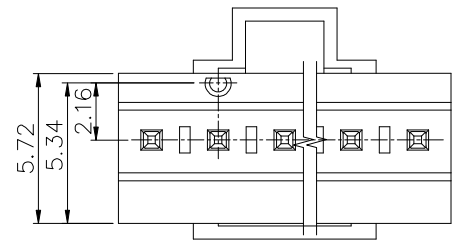
X.±	X.*±	UNITS	NAME(INTENDED USE)	FOXCONN INTERCONNECT TECHNOLOGY LIMITED. CLASS: <input type="checkbox"/> CONFIDENTIAL <input type="checkbox"/> SECRET <input checked="" type="checkbox"/> GENERAL CUSTOMER DRAWING TITLE: S/R, VERTICAL, 2.54mm PITCH DWG NO.: 307-0000-1693
.X± 0.38	.X*±	MAT'L	FRICTION HEADER	
.XX± 0.25	.XX*±	FINISH	PART NO.(INTENDED USE)	SCALE SHEET REV. 1:1 3/8 D
.XXX±	.XXX*±		HFC1***-*****-**	
THESE DRAWINGS AND SPECIFICATIONS ARE THE PROPERTY OF FOXCONN INTERCONNECT TECHNOLOGY LIMITED, AND SHALL NOT BE REPRODUCED, COPIED OR USED IN ANY MANNER WITHOUT THE PRIOR WRITTEN CONSENT OF FOXCONN INTERCONNECT TECHNOLOGY LIMITED.			APPD: Shih-Wei Hsiao	
			Q'TY	

FK2B00065D

REV.	ECN. NO.	APPD.
------	----------	-------



RECOMMENDED P.C.B. LAYOUT FOR POST GUIDE POST ON POS.  
THIS VIEW ON POS. NO 1. THE SAME WITH POS.NO "N"



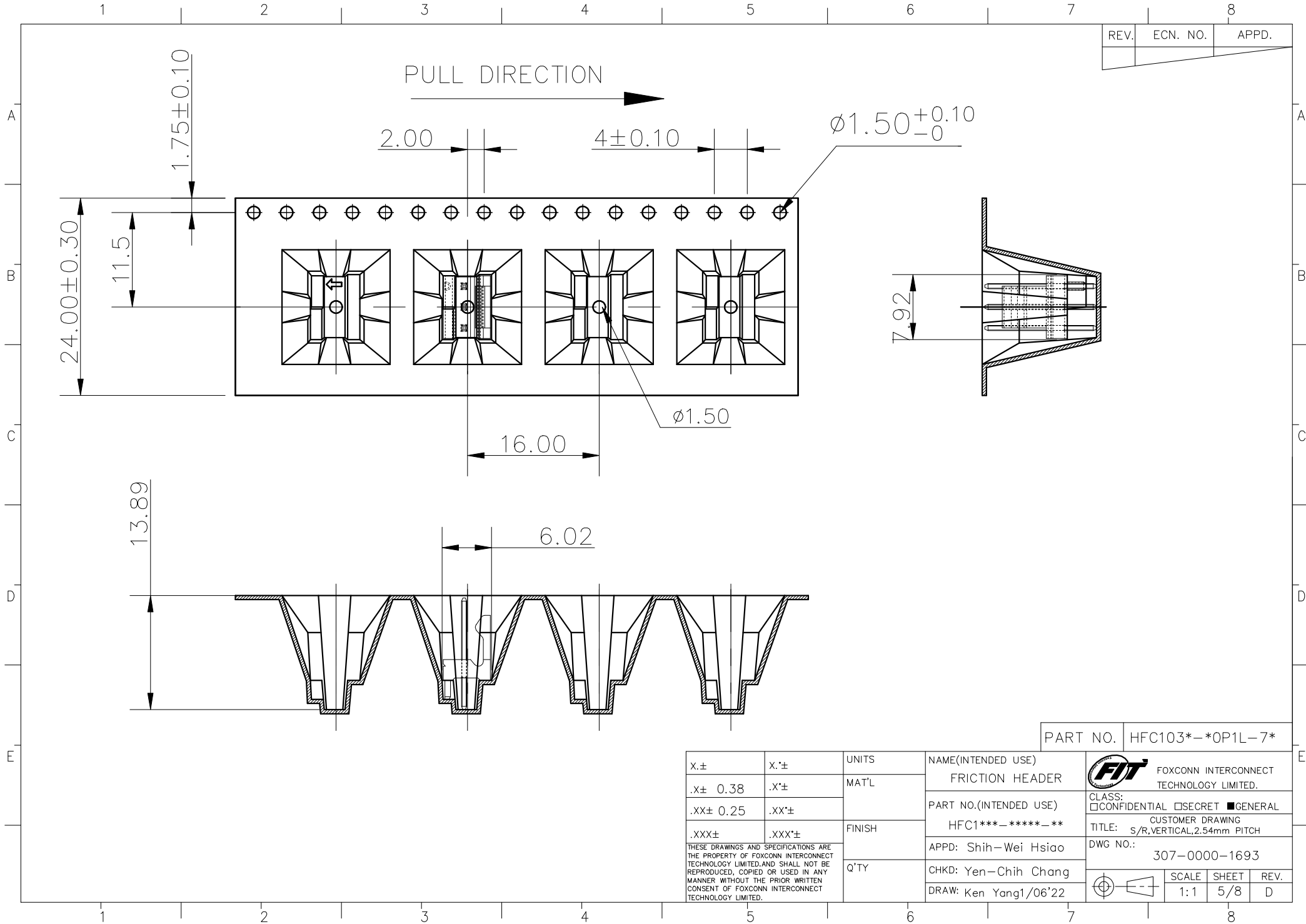
X.±	X.*±	UNITS	NAME(INTENDED USE)
.X± 0.38	.X*±	MAT'L	FRICTION HEADER
.XX± 0.25	.XX*±	FINISH	PART NO.(INTENDED USE)
.XXX±	.XXX*±		HFC1***-*****-**
THESE DRAWINGS AND SPECIFICATIONS ARE THE PROPERTY OF FOXCONN INTERCONNECT TECHNOLOGY LIMITED.AND SHALL NOT BE REPRODUCED, COPIED OR USED IN ANY MANNER WITHOUT THE PRIOR WRITTEN CONSENT OF FOXCONN INTERCONNECT TECHNOLOGY LIMITED.			APPD: Shih-Wei Hsiao
Q'TY			CHKD: Yen-Chih Chang
			DRAW: Ken Yang1/06'22

UNITS	NAME(INTENDED USE)
MAT'L	FRICTION HEADER
FINISH	PART NO.(INTENDED USE)
FINISH	HFC1***-*****-**
Q'TY	CHKD: Yen-Chih Chang
Q'TY	DRAW: Ken Yang1/06'22

HFC10**-*****-9*			
FOXCONN INTERCONNECT TECHNOLOGY LIMITED.			
CLASS: <input type="checkbox"/> CONFIDENTIAL <input type="checkbox"/> SECRET <input checked="" type="checkbox"/> GENERAL			
CUSTOMER DRAWING TITLE: S/R,VERTICAL,2.54mm PITCH			
DWG NO.: 307-0000-1693			
	SCALE	SHEET	REV.
	1:1	4/8	D

REV.	ECN. NO.	APPD.

PULL DIRECTION



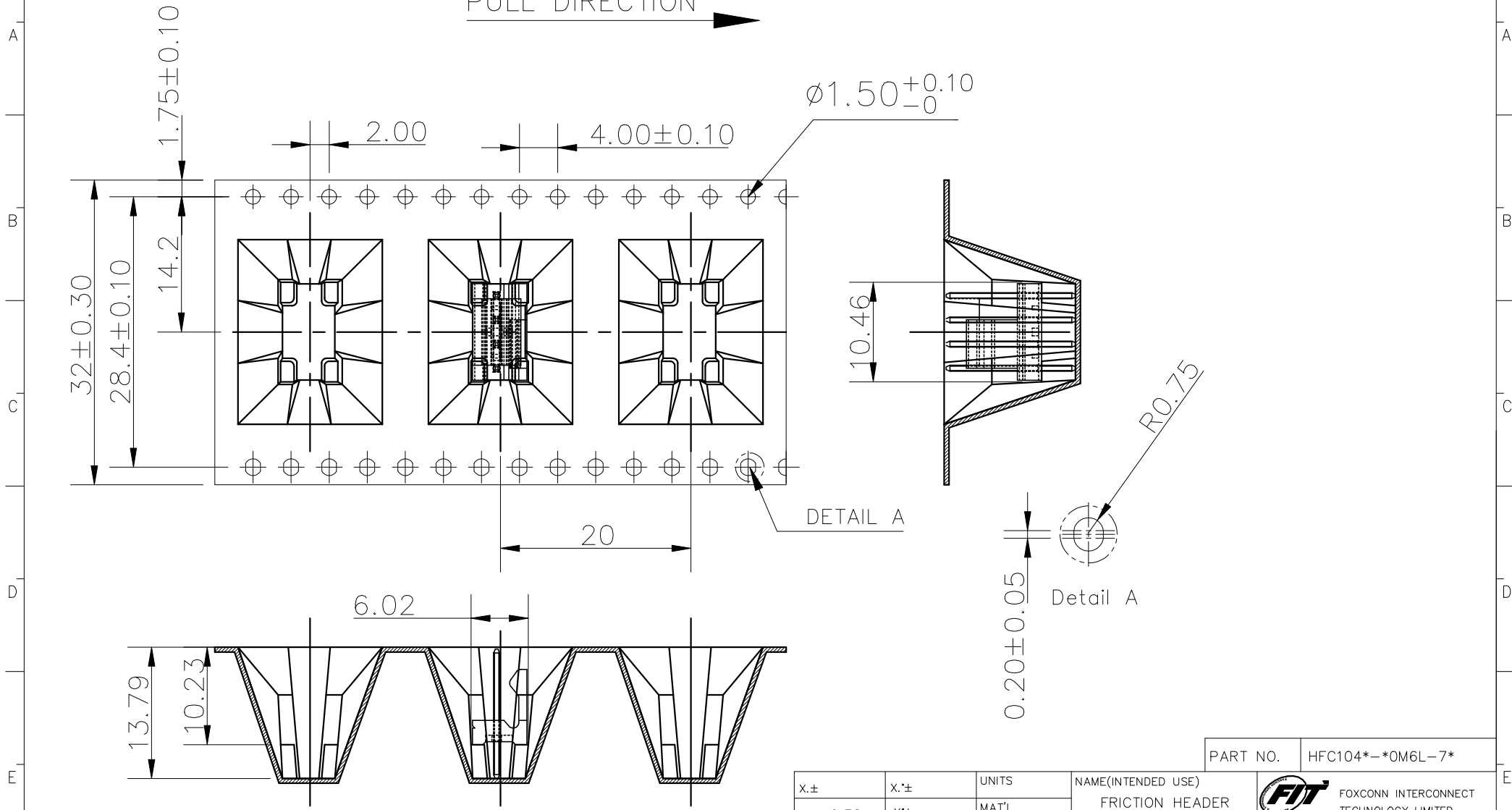
PART NO. HFC103\*--\*OP1L-7\*

X.±	X.*±	UNITS	NAME(INTENDED USE)	FOXCONN INTERCONNECT TECHNOLOGY LIMITED. CLASS: <input type="checkbox"/> CONFIDENTIAL <input type="checkbox"/> SECRET <input checked="" type="checkbox"/> GENERAL CUSTOMER DRAWING TITLE: s/R,VERTICAL,2.54mm PITCH DWG NO.: 307-0000-1693						
.X± 0.38	.X*±	MAT'L	FRICION HEADER							
.XX± 0.25	.XX*±	FINISH	PART NO.(INTENDED USE) HFC1***-****-**							
.XXX±	.XXX*±	Q'TY	APPD: Shih-Wei Hsiao CHKD: Yen-Chih Chang DRAW: Ken Yang1/06'22							
<small>THESE DRAWINGS AND SPECIFICATIONS ARE THE PROPERTY OF FOXCONN INTERCONNECT TECHNOLOGY LIMITED.AND SHALL NOT BE REPRODUCED, COPIED OR USED IN ANY MANNER WITHOUT THE PRIOR WRITTEN CONSENT OF FOXCONN INTERCONNECT TECHNOLOGY LIMITED.</small>				<table border="1"> <tr> <td>SCALE</td> <td>SHEET</td> <td>REV.</td> </tr> <tr> <td>1:1</td> <td>5/8</td> <td>D</td> </tr> </table>	SCALE	SHEET	REV.	1:1	5/8	D
SCALE	SHEET	REV.								
1:1	5/8	D								

FK2B00065D

REV.	ECN. NO.	APPD.

PULL DIRECTION 



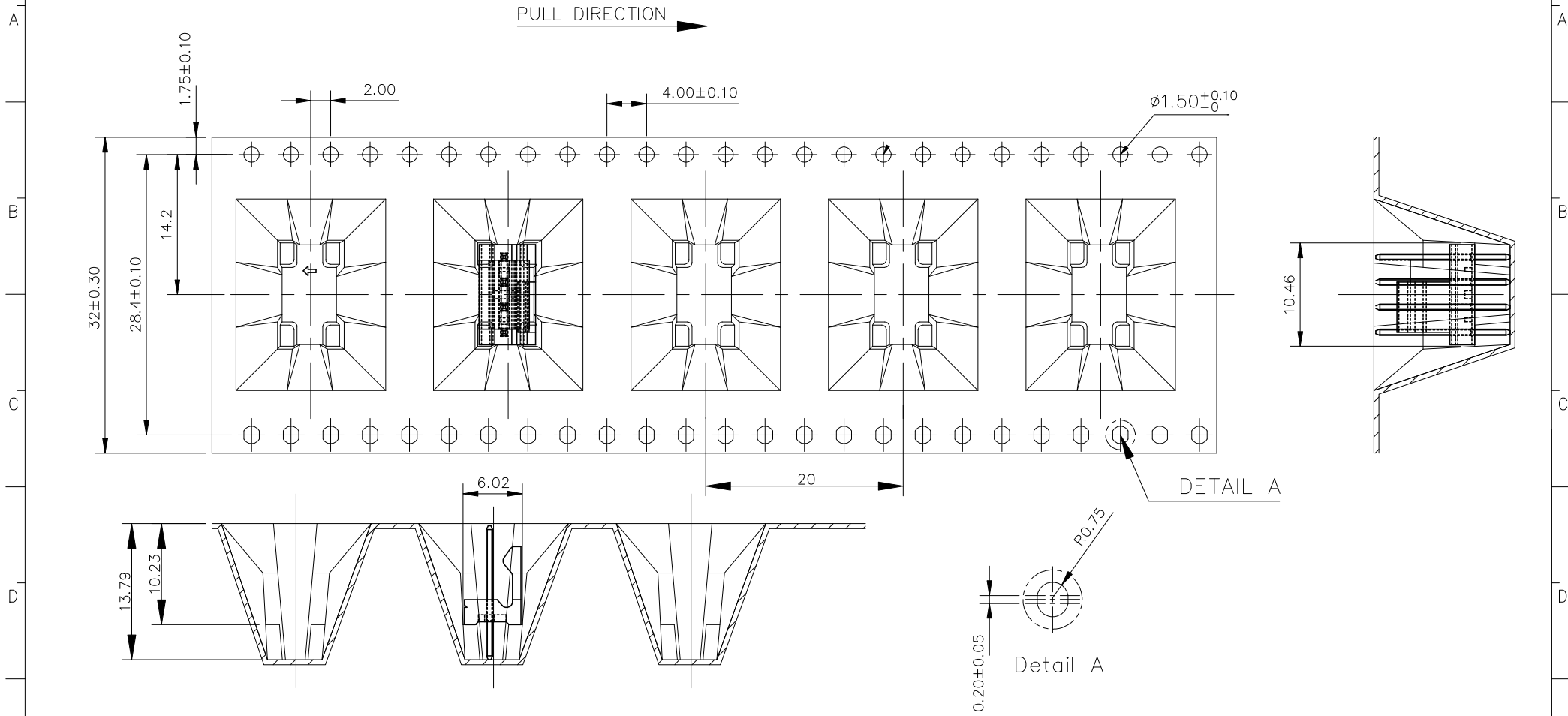
PART NO. HFC104\*-\*0M6L-7\*

X.±	X.*±	UNITS	NAME(INTENDED USE)	 <b>FOXCONN INTERCONNECT TECHNOLOGY LIMITED.</b> CLASS: <input type="checkbox"/> CONFIDENTIAL <input type="checkbox"/> SECRET <input checked="" type="checkbox"/> GENERAL CUSTOMER DRAWING TITLE: s/R,VERTICAL,2.54mm PITCH DWG NO.: 307-0000-1693						
.X± 0.38	.X*±	MAT'L	FRICION HEADER							
.XX± 0.25	.XX*±	FINISH	PART NO.(INTENDED USE) HFC1***-****-**							
.XXX±	.XXX*±	Q'TY	APPD: Shih-Wei Hsiao CHKD: Yen-Chih Chang DRAW: Ken Yang1/06'22							
<small>THESE DRAWINGS AND SPECIFICATIONS ARE THE PROPERTY OF FOXCONN INTERCONNECT TECHNOLOGY LIMITED.AND SHALL NOT BE REPRODUCED, COPIED OR USED IN ANY MANNER WITHOUT THE PRIOR WRITTEN CONSENT OF FOXCONN INTERCONNECT TECHNOLOGY LIMITED.</small>				<table border="1"> <tr> <td>SCALE</td> <td>SHEET</td> <td>REV.</td> </tr> <tr> <td>1:1</td> <td>6/8</td> <td>D</td> </tr> </table>	SCALE	SHEET	REV.	1:1	6/8	D
SCALE	SHEET	REV.								
1:1	6/8	D								

FK2B00065D

REV.	ECN. NO.	APPD.

PULL DIRECTION →

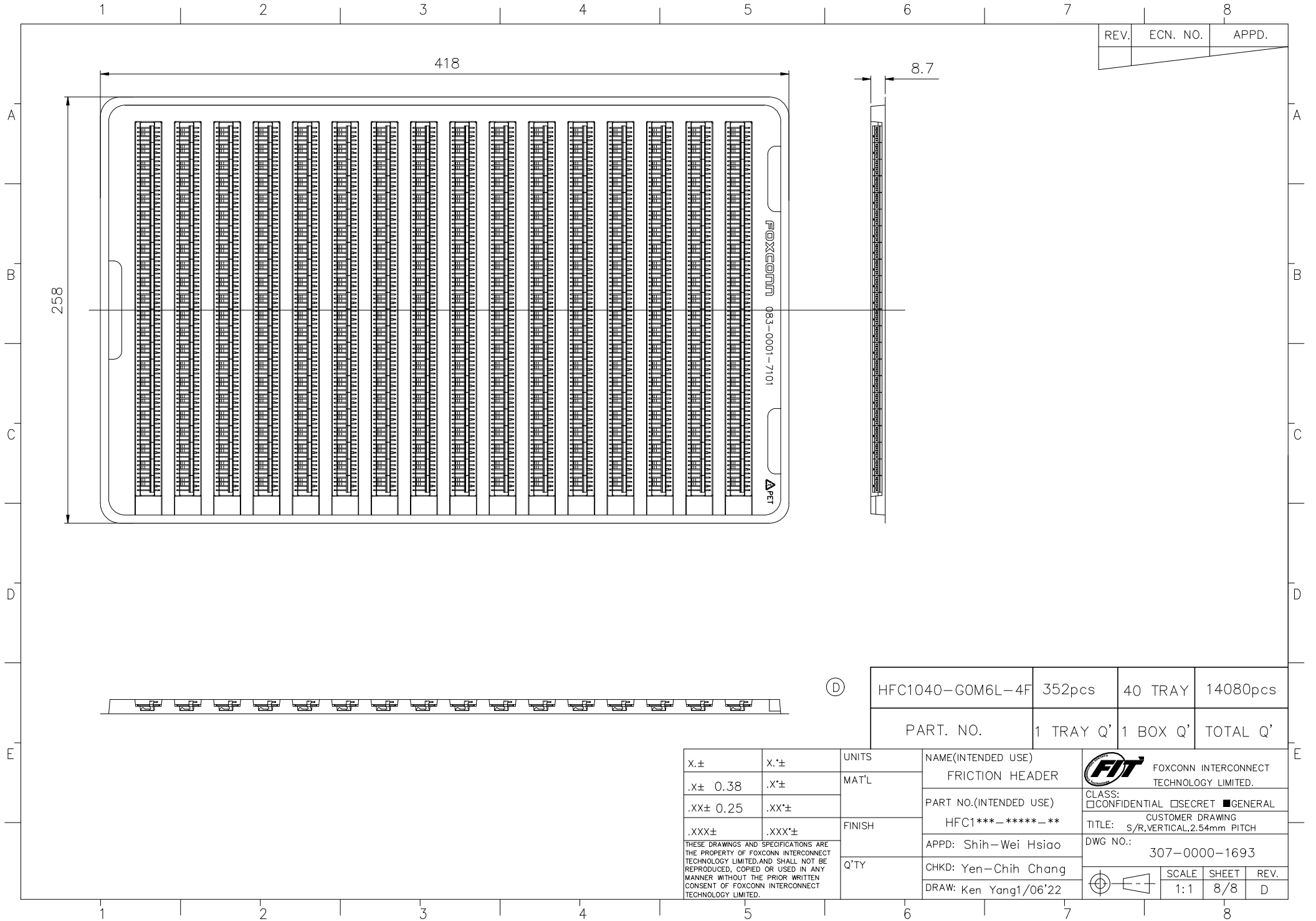


PART NO. HFC104\*--\*OM7\*--7\*

X.±	X'.±	UNITS	NAME(INTENDED USE)	 <b>FOXCONN INTERCONNECT TECHNOLOGY LIMITED.</b> CLASS: <input type="checkbox"/> CONFIDENTIAL <input type="checkbox"/> SECRET <input checked="" type="checkbox"/> GENERAL CUSTOMER DRAWING TITLE: s/R,VERTICAL,2.54mm PITCH DWG NO.: 307-0000-1693						
.X± 0.38	.X'±	MAT'L	FRICION HEADER							
.XX± 0.25	.XX'±	FINISH	PART NO.(INTENDED USE) HFC1***-****-**							
.XXX±	.XXX'±	Q'TY	APPD: Shih-Wei Hsiao CHKD: Yen-Chih Chang DRAW: Ken Yang1/06'22							
<small>THESE DRAWINGS AND SPECIFICATIONS ARE THE PROPERTY OF FOXCONN INTERCONNECT TECHNOLOGY LIMITED.AND SHALL NOT BE REPRODUCED, COPIED OR USED IN ANY MANNER WITHOUT THE PRIOR WRITTEN CONSENT OF FOXCONN INTERCONNECT TECHNOLOGY LIMITED.</small>				<table border="1"> <tr> <td>SCALE</td> <td>SHEET</td> <td>REV.</td> </tr> <tr> <td>1:1</td> <td>7/8</td> <td>D</td> </tr> </table>	SCALE	SHEET	REV.	1:1	7/8	D
SCALE	SHEET	REV.								
1:1	7/8	D								

FK2B00065D

REV.	ECN. NO.	APPD.



HFC1040-G0M6L-4F	352pcs	40 TRAY	14080pcs
PART. NO.	1 TRAY Q'	1 BOX Q'	TOTAL Q'

X.±	X'.±	UNITS	NAME(INTENDED USE)	 <b>FOXCONN INTERCONNECT TECHNOLOGY LIMITED.</b> CLASS: <input type="checkbox"/> CONFIDENTIAL <input type="checkbox"/> SECRET <input checked="" type="checkbox"/> GENERAL CUSTOMER DRAWING TITLE: s/R,VERTICAL,2.54mm PITCH DWG NO.: 307-0000-1693						
.X± 0.38	.X'±	MAT'L	FRICION HEADER							
.XX± 0.25	.XX'±	FINISH	PART NO.(INTENDED USE) HFC1***-****-**							
.XXX±	.XXX'±	Q'TY	APPD: Shih-Wei Hsiao CHKD: Yen-Chih Chang DRAW: Ken Yang1/06'22							
<small>THESE DRAWINGS AND SPECIFICATIONS ARE THE PROPERTY OF FOXCONN INTERCONNECT TECHNOLOGY LIMITED.AND SHALL NOT BE REPRODUCED, COPIED OR USED IN ANY MANNER WITHOUT THE PRIOR WRITTEN CONSENT OF FOXCONN INTERCONNECT TECHNOLOGY LIMITED.</small>				<table border="1"> <tr> <td>SCALE</td> <td>SHEET</td> <td>REV.</td> </tr> <tr> <td>1:1</td> <td>8/8</td> <td>D</td> </tr> </table>	SCALE	SHEET	REV.	1:1	8/8	D
SCALE	SHEET	REV.								
1:1	8/8	D								

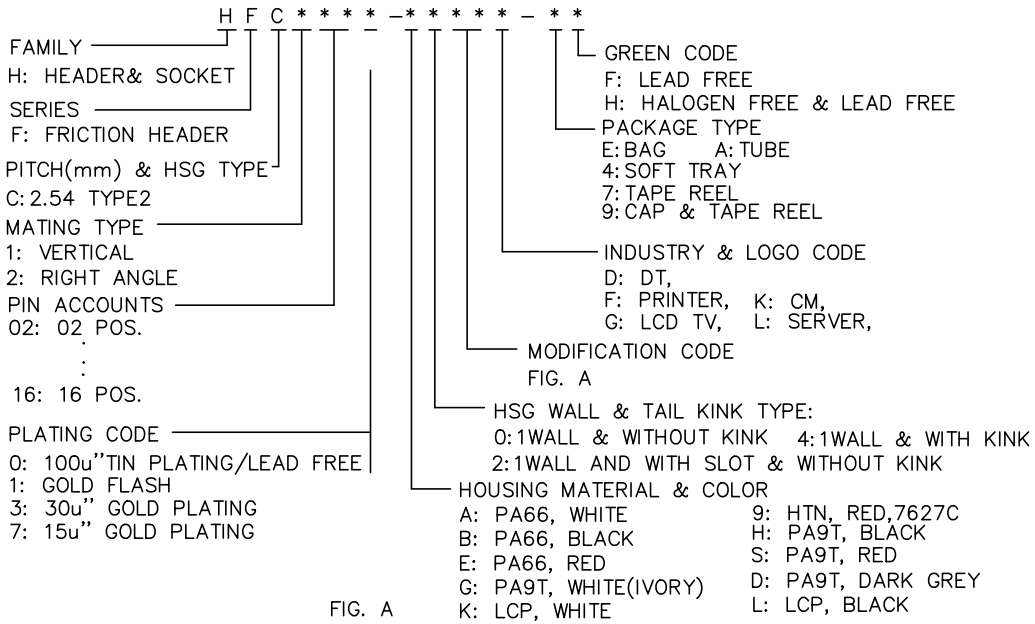
FK2B00065D



REV.	ECN. NO.	APPD.
A	BC-16-0018363	Shih-Wei Hsiao
B	BC-21-0009582	Shih-Wei Hsiao

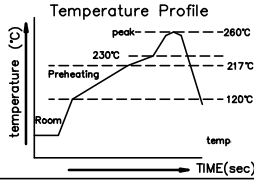
DESC.	Q'TY	MATERIAL	TREATMENT	REMARK
CONTACT	SEE NOTES BELOW	COPPER ALLOY (BRASS)	A)50u" MIN. NICKEL UNDER PLATING OVER ALL B)MATTE TIN PLATING OR GOLD PLATING AT CONTACT AREA (SEE NOTES BELOW)	
HOUSING	1	THERMOPLASTIC, UL94V-0	HOUSING COLOR (SEE NOTES BELOW)	
CAP	1	THERMOPLASTIC, UL94V-0	BLACK (ONLY FOR HFC****-*****-9*)	

- NOTES : 1. HARMFUL MATERIAL CONTROL PLEASE FOLLOW FOXCONN'S DOC. "EPI12"  
 2. PLEASE CONTACT FOXCONN SALES REPRESENTATIVE TO VERIFY PRODUCT DETAILS & AVAILABILITY.  
 3. PRODUCT NO. MATRIX:



MODIFICATION CODE	C1	D5	P0	P1	P2	P3	P4	Q3	C2	C3	C4	M1	M2	M3	M4	M5	M6	M7	M8	M9	00	01	02	03	04	05	06	07	08	09	C5	P5	C6
DIM. C(mm)	1.27	1.27	1.27	1.27	1.27	1.27	1.27	1.27	1.27	1.27	1.27	3.81	3.81	6.35	3.81	1.27	3.81	3.81	3.81	6.35	1.27	1.27	1.27	1.27	3.81	1.27	1.27	6.35	3.81	6.35	3.81	1.27	3.81
DIM. D(mm)	2.30	3.56	3.56	3.56	3.56	3.56	3.56	3.56	2.30	3.56	3.56	3.56	3.56	2.30	2.30	3.56	3.56	4.00	3.56	3.56	4.00	3.00	2.30	2.30	2.30	2.30	1.90	3.0	3.56	1.9	3.56	4.50	
DIM. E(mm)	2.3	NONE	NONE	2.3	1.3	NONE	NONE	2.3	1.3	1.3	NONE	2.3	1.3	2.3	1.3	NONE	2.3	NONE	2.30	1.30	NONE	2.30	2.30	2.30	1.3	NONE	1.30	2.30	1.30	2.3	1.3	2.3	
DIM. F(mm)	7.49	7.49	7.49	7.49	7.49	7.49	7.49	7.49	7.49	7.49	7.49	7.49	7.49	7.49	7.49	5.8	7.49	7.49	7.49	7.49	7.49	7.49	7.49	7.49	7.49	7.49	5.80	7.49	7.49	7.49	7.49	7.49	
OMITTED POS. NO.	/	3	4	/	/	2	/	/	/	/	/	/	/	/	/	/	/	/	/	/	/	/	/	/	/	2	2	/	/	/	/	2	/
GUIDE POST ON POS. NO.	1	NO	NO	1	1	NO	NO	3	1	2	NO	1	1	1	1	NO	2	NO	2	1	NO	4	4	2	2	1	NO	1	2	2	2	1	2

- REMARK: MATING LENGTH=DIM.F TAIL LENGTH=DIM.D POST LENGTH=DIM.E  
 4. THE CONCENTRATIONS OF BR&CL CAN SATISFY THE REQUIREMENTS OF HALOGEN-FREE IN DOCUMENT "EPI12"  
 5. INFRARED REFLOW PROFILE CONDITION:



REMARK:	Only For 05 PIN		
MODIFICATION CODE	M2	M3	M4
DIM. C(mm)	6.35	6.35	6.35
DIM. D(mm)	3.56	3.56	2.30
DIM. E(mm)	1.3	2.3	1.3
DIM. F(mm)	7.49	7.49	7.49
OMITTED POS. NO.	/	/	/
GUIDE POST ON POS. NO.	1	1	1

X.±	X.*±	UNITS mm	NAME(INTENDED USE) FRICTION HEADER	FOXCONN INTERCONNECT TECHNOLOGY LIMITED.						
.X±	.X*±	MAT'L	PART NO.(INTENDED USE) HFC1 SERIES							
.XX±	.XX*±	FINISH	APPD: Shih-Wei Hsiao	CLASS: <input type="checkbox"/> CONFIDENTIAL <input type="checkbox"/> SECRET <input checked="" type="checkbox"/> GENERAL						
.XXX±	.XXX*±		Q'TY	CHKD: Yen-Chih.Chang	MATERIAL SHEET TITLE: T/H,S/R,VERTICAL,2.54mm PITCH					
THESE DRAWINGS AND SPECIFICATIONS ARE THE PROPERTY OF FOXCONN INTERCONNECT TECHNOLOGY LIMITED. AND SHALL NOT BE REPRODUCED, COPIED OR USED IN ANY MANNER WITHOUT THE PRIOR WRITTEN CONSENT OF FOXCONN INTERCONNECT TECHNOLOGY LIMITED.			DRAW: Ken Yang 1/06'22	DWG NO.: 307-0500-1693						
				<table border="1"> <tr> <th>SCALE</th> <th>SHEET</th> <th>REV.</th> </tr> <tr> <td>1:1</td> <td>1/1</td> <td>BX1</td> </tr> </table>	SCALE	SHEET	REV.	1:1	1/1	BX1
SCALE	SHEET	REV.								
1:1	1/1	BX1								

REV.	ECN. NO.	APPD.
A	BC-16-0020113	Shih-Wei Hsiao

PRODUCT SPECIFICATIONS:

1. PHYSICAL:

- 1-1. HOUSING:  
THERMOPLASTIC, GLASS FILLED, UL94V-0 RATING.
- 1-2. CAP:  
THERMOPLASTIC, GLASS FILLED, UL94V-0 RATING. (ONLY FOR HFC\*\*\*\*-\*\*\*\*\*-9\*)
- 1-3. CONTACT:  
COPPER ALLOY, 50u" MIN. NICKEL UNDER PLATING OVER ALL;  
TIN OR GOLD PLATING OVER NICKEL WITH RoHS COMPLIANCE.

2. ELECTRICAL CHARACTERISTICS:

- 2-1. CONTACT CURRENT RATING: 4 AMPERES PER POS.
- 2-2. DIELECTRIC WITHSTANDING VOLTAGE: 750V AC  
FOR 1 MINUTE AT SEA LEVEL.
- 2-3. INSULATION RESISTANCE: 1000 MEGOHMS MIN. INITIAL.

3. MECHANICAL CHARACTERISTICS:


- 3-1. CONTACT RETENTION FORCE: 2 LBS(0.91Kgf) MIN. PER POS..
- 3-2. INSERTING FORCE: 0.6Kgf MAX. PER CONTACT.
- 3-3. WITHDRAWAL FORCE: 0.02Kgf MIN. PER CONTACT.
- 3-4. HOUSING RETENTION FORCE: 2.0Kgf MIN. AFTER IR SOLDERING FOR 04 POS.

4. ENVIRONMENTAL DATA:

- 4-1. SOLDERABILITY: TERMINALS MUST MEET THE SOLDERING REQUIREMENTS OF EIA-364-52.
- 4-2. OPERATION TEMPERATURE: -40°C TO +105°C.
- 4-3. HARMFUL MATERIAL CONTROL PLEASE FOLLOW FOXCONN'S DOC. "EPI12".

5. PLEASE CONTACT FOXCONN SALES REPRESENTATIVE TO VERIFY PRODUCT DETAIL & AVAILABILITY.

6. THE CONCENTRATIONS OF BR&CL CAN SATISFY THE REQUIREMENTS OF HALOGEN-FREE IN DOCUMENT "EPI12"

X.±	X'±	UNITS mm	NAME(INTENDED USE) FRCTION HEADER	 <b>FOXCONN INTERCONNECT TECHNOLOGY LIMITED.</b>						
.X±	.X'±	MAT'L	PART NO.(INTENDED USE) HFC1 SERIES							
.XX±	.XX'±	FINISH	APPD: Shih-Wei Hsiao	CLASS: <input type="checkbox"/> CONFIDENTIAL <input type="checkbox"/> SECRET <input checked="" type="checkbox"/> GENERAL SPECIFICATION TITLE: VERTICAL,T/H,S/R,2.54mm PITCH						
.XXX±	.XXX'±		Q'TY	CHKD: Yen-Chih Chang	DWG NO.: 307-0300-1693					
THESE DRAWINGS AND SPECIFICATIONS ARE THE PROPERTY OF FOXCONN INTERCONNECT TECHNOLOGY LIMITED, AND SHALL NOTBE REPRODUCED, COPIED OR USED IN ANY MANNER WITHOUT THE PRIOR WRITTEN CONSENT OF FOXCONN INTERCONNECT TECHNOLOGY LIMITED.			DRAW: Xu Liu 04/28'18	 <table border="1"> <tr> <td>SCALE</td> <td>SHEET</td> <td>REV.</td> </tr> <tr> <td>1:1</td> <td>1/1</td> <td>AX1</td> </tr> </table>	SCALE	SHEET	REV.	1:1	1/1	AX1
			SCALE	SHEET	REV.					
1:1	1/1	AX1								

## X-ON Electronics

Largest Supplier of Electrical and Electronic Components

*Click to view similar products for [Headers & Wire Housings](#) category:*

*Click to view products by [Foxconn](#) manufacturer:*

Other Similar products are found below :

[0015917161](#) [0022155065](#) [57102-F02-18ULF](#) [58102-G61-06LF](#) [582553-1](#) [01.001.5753.1](#) [0050291907](#) [02.125.8002.8](#) [609-3404](#) [61062-3](#)  
[CSU011177004](#) [622-0430](#) [622-3653LF](#) [63453-116](#) [636-1030](#) [636-1427](#) [636-3427](#) [636-4007](#) [641938-9](#) [65495-038](#) [65692-001LF](#) [65781-018](#)  
[65781-047](#) [65817-010LF](#) [65817-015LF](#) [67095-007LF](#) [67601157](#) [68631-112](#) [68645-018](#) [699319-000](#) [70.362.1628.0](#) [70-4210](#) [70-4226B](#) [70-](#)  
[4853B](#) [71.350.2428.0](#) [733-134](#) [733-162](#) [MHR-64-VUAL](#) [80.063.4001.1](#) [800-90-001-10-001000](#) [801-43-002-10-013000](#) [801-43-006-10-](#)  
[002000](#) [803-43-024-10-001000](#) [803-93-012-10-001000](#) [8-1437020-4](#) [819-22-004-30-001101](#) [820-22-006-30-001101](#) [820-22-008-30-001101](#)  
[821-22-002-10-001101](#) [821-22-003-10-002101](#)