

REV.	ECN No.	APPD.
------	---------	-------

PART No.	HM3512*-***	No. OF POS.	12/24
DIM. A	51.6	DIM. B	50.00
DIM. C	46.20	DIM. D	55.6
DIM. E	57.6	DIM. F	57.6
DIM. G	57.6	DIM. H	57.6

NAME(NTENDED USE)	POWER CONN.	UNIT	mm
PART No.(NTENDED USE)	HM35 SERIES	FINISH	.XXX±
TITLE:	CUSTOMER DRAWING PLUG,SHROUDED,VERTICAL,T/H	APPD:	Yhsin Chen
DWG No.:	307-0100-319	CHKD:	Wolfe Liu
DR:	Betty Xi e7/15'09	SCALE	2/2
REV.	DX7	SHEET	2/2

THESE DRAWINGS AND SPECIFICATIONS ARE THE PROPERTY OF HON HAI PRECISION IND. CO., LTD. AND SHALL NOT BE REPRODUCED, COPIED OR USED IN ANY MANNER WITHOUT THE PRIOR WRITTEN CONSENT OF HON HAI PRECISION IND. CO., LTD.

OPTIONAL
Ø3.00±0.05 (2X)
Ø1.40±0.05 TYP.

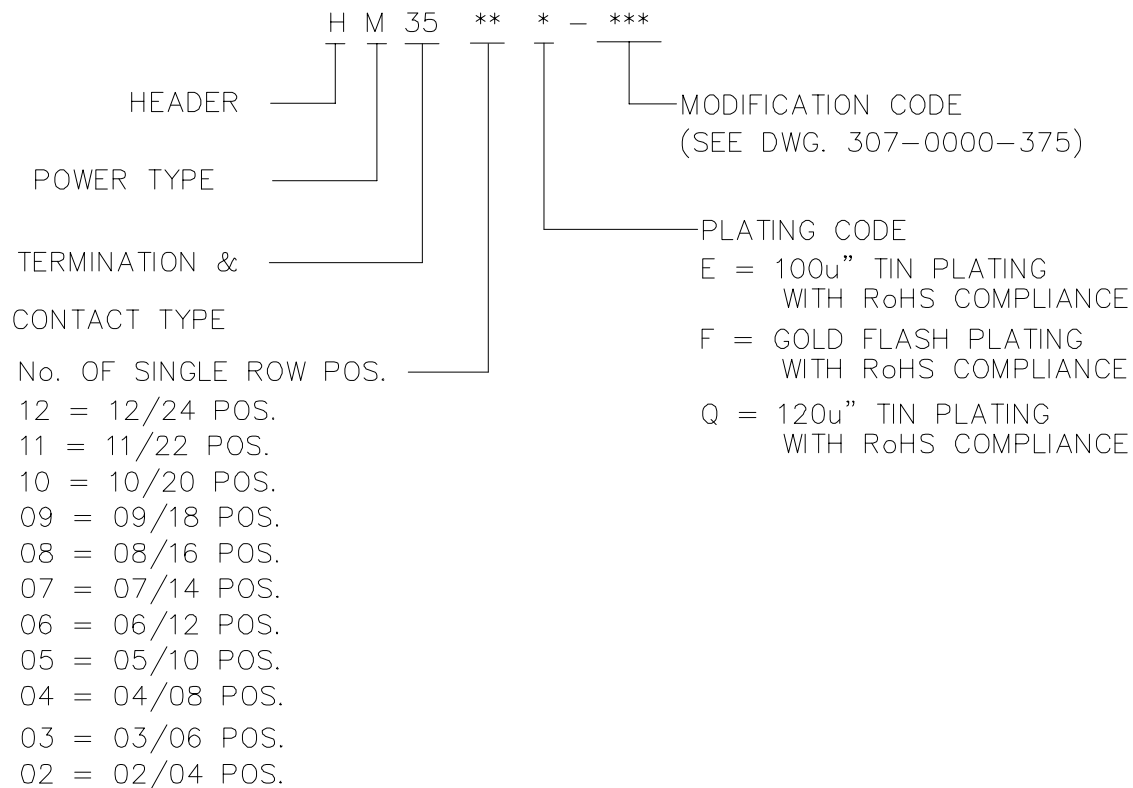
HOUSING EXTERNAL FORM

RECOMMENDED P.C.B. LAYOUT

THIS RIB REMARKED

1. HARMFUL MATERIAL CONTROL PLEASE FOLLOW FOXCONN'S DOC. "EPI12".

2. PRODUCT No. MATRIX:



3. PLEASE CONTACT FOXCONN SALES REPRESENTATIVE TO VERIFY PRODUCT DETAILS&AVAILABILITY.

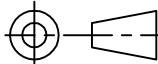
E	BC077040388	Yusan
D	BC077011122	Yusan
C	BC06743773	Yusan 7/27'06
B	HC0513520	Ady Zhou 12/9'05
A	IC023412	Dick Lee 6/24'98
REV.	ECN No.	APPD.

FOXCONN HON HAI PRECISION IND. CO.,LTD. TAIPEI, TAIWAN, R.O.C.	
APPD. : Yusan	TITLE : MATERIAL LIST PLUG,VERTICAL,T/H
CHKD. : D.J.Chen	PROD. SERIES : HM35 SERIES
DR. : Betty Xie 7/18'07	DWG. No. : 307-0100-324
	REV. : E SHEET : 1/1

CODE	DESCRIPTION			
	PEG	PEG WIDTH	POST	PIN MISSING
NONE	NONE	N/A	NONE	FULL PIN
P1	PEG #1	3.50mm	NONE	FULL PIN
P2	PEG #1 & PEG #2	3.50mm	NONE	FULL PIN
P3	PEG #1 & PEG #2	3.15mm	NONE	FULL PIN
P4	PEG #1	3.15mm	NONE	FULL PIN
P5	PEG #1 & PEG #2	3.00mm	NONE	FULL PIN
P6	PEG #1	3.00mm	NONE	FULL PIN
P7	PEG #2	3.15mm	NONE	FULL PIN
S1	PEG #2	3.50mm	NONE	19th PIN OMITTED
S3	NONE	N/A	NONE	19th PIN OMITTED
S5	NONE	N/A	NONE	1st, 2nd&11th PINS OMITTED
S6	PEG #1 & PEG #2	3.50mm	NONE	1st, 2nd&11th PINS OMITTED
S7	PEG #2	3.50mm	NONE	FULL PIN
S8	NONE	N/A	NONE	20th PIN OMITTED
G1	NONE	N/A	MIDDLE POST	FULL PIN
G2	NONE	N/A	RIGHT POST	FULL PIN
G3	NONE	N/A	LEFT POST	FULL PIN

REMARK:

H : CONTACT CURRENT RATING,HIGH CURRENT RATING,DIM.E = 3.40
 E : WITH LATCH, DIM.E = DIM.C
 K : WITH LATCH, DIM.E = 7.60
 F : WITH LATCH, DIM.E = 24.30; HOUSING COVERED WITH CAP
 D : WITH LATCH,DIM.E=24.30,HOUSING COVERED WITHOUT CAP
 N : CHAMFER TYPE II
 T : HIGH CURRENT RATING,WITH LATCH, DIM.E = DIM.C
 J : HOUSING COERED WITH CAP, WITH LATCH, DIM.E = DIM.C
 NONE: STANDARD PRODUCT , DIM.E = 3.40
 PLEASE CONTACT FOXCONN SALES REPRESENTATIVE TO VERIFY PRODUCT DETAIL&AVAILABILITY.
 THE CONCENTRATIONS OF Br&CI CAN SATISFY THE REQUIREMENTS OF
 HALOGEN-FREE IN FOXCONN'S DOC "EPI12".

X.±	X°±	UNITS	NAME(INTENDED USE)	FOXCONN			
.X±	.X°±	MAT'L	POWER CONN.	HON HAI PRECISION IND. CO.,LTD. TAIPEI, TAIWAN, R.O.C.			
.XX±	.XX°±		PART NO.(INTENDED USE)	TITLE: CUSTOMER DRAWING			
.XXX±	.XXX°±	FINISH	HM SERIES	DWG NO.: 307-0000-375			
THESE DRAWINGS AND SPECIFICATIONS ARE THE PROPERTY OF HON HAI PRECISION IND. CO., LTD. AND SHALL NOT BE REPRODUCED, COPIED OR USED IN ANY MANNER WITHOUT THE PRIOR WRITTEN CONSENT OF HON HAI PRECISION IND. CO., LTD.		Q'TY	APPD: MAX S.H. YANG		SCALE	SHEET	REV.
			CHKD: Wolfe Liu		N/A	1/1	QX1
			DR: JustinFeng12/09'09				

1

2

3

4

AWG#18	9	8	7	6
AWG#20	7	6	5	5
AWG#22	5	4	4	4
AWG#24	4	3	3	3
AWG#26	3	2	2	2
AWG#28	2	1	1	1

Wire POS.	2&3	4-6	7-10	12-24
AWG#16	12	11	10	9
AWG#18	12	11	10	9
AWG#20	9	9	8	8

- 2-2. DIELECTRIC WITHSTANDING VOLTAGE:1500 VAC AT SEA LEVEL.
2-3. OPERATING VOLTAGE:600V RMS.
2-4. INSULATION RESISTANCE:1000 MEGOHMS MIN. .
2-5. LOW LEVEL CONTACT RESISTANCE : 30 MILLIOHMS MAX. INTIAL,
AFTER LIFE TEST 40 MILLIGOHMS MAX..
3. MECHANICAL CHARACTERISICS:
3-1. INSERTION FORCE: 0.70Kgf MAX. PER CONTACT.
3-2. WITHDRAWAL FORCE: 0.20Kgf MIN. PER CONTACT.
3-3. CONTACT RETENTION FORCE: 10N MIN. PER CONTACT.
3-4. DURABILITY: 50 CYCLES
4. ENVIRONMENTAL:
4-1. SOLDERABILITY:PASS MIL-STD-208F,METHOD 208.
4-2. OPERATING TEMPERATURE : -40°C TO +105°C.
4-3. HARMFUL MATERIAL CONTROL PLEASE FOLLOW FOXCONN'S
DOC. "EPI12".
5. PLEASE CONTACT FOXCONN SALES REPRESENTATIVE TO VERIFY
PRODUCT DETAIL&AVAILABILITY.

FOXCONN HON HAI PRECISION IND. CO.,LTD.
TAIPEI, TAIWAN, R.O.C.

E	BC097002522	Yusan
D	BC077048206	Yusan
C	HC067885	Yusan 6/29'06
B	HC0512836	Ady Zhou 12/9'05
A	IC023412	Yihsin Chen 5/17'05
REV.	ECN NO	APPD.

APPD. : Yusan	TITLE : SPECIFICATION POWER HEADER,VERTICAL,T/H
CHKD. : Jake W.Yuan	PROD. SERIES : HM35 SERIES
DR. : Betty Xie 1/7'09	DWG. NO : 307-0100-322
REV. : E	SHEET : 1/1

X-ON Electronics

Largest Supplier of Electrical and Electronic Components

Click to view similar products for [Headers & Wire Housings](#) category:

Click to view products by [Foxconn](#) manufacturer:

Other Similar products are found below :

[95000-104TRLF](#) [10135584-644402LF](#) [DF62W-EP2022PCA](#) [95000-106TRLF](#) [DF62W-2022SCA](#) [DF62W-EP2022PC](#) [2203348](#) [DF62W-2022SC](#) [1084018](#) [1029039](#) [1084017](#) [802-10-012-10-002000](#) [1112640](#) [1112639](#) [891-007-9SS-BST1T](#) [000-34000](#) [0008550134](#) [0009482033](#) [0009507031](#) [57102-F02-18ULF](#) [57102-S06-03LF](#) [57202-S52-04LF](#) [PCN6-15S-2.5E](#) [0039019024](#) [58102-G61-06LF](#) [582553-1](#) [0009485154](#) [0009508121](#) [0022285053](#) [0050291907](#) [018731A](#) [LY20-4P-DT1-P1E-BR](#) [02.125.8002.8](#) [60101931](#) [60598-1 \(Cut Strip\)](#) [M1625-3R/100](#) [61062-3](#) [61082-181009](#) [CSU011177004](#) [636-1427](#) [638009-1](#) [641938-9](#) [641991-4](#) [644168-1](#) [644827-2](#) [647662-1](#) [65039-019ELF](#) [65692-001LF](#) [65781-018](#) [65781-047](#)