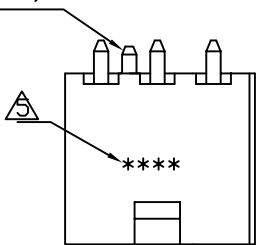


ø1.10(OPTIONAL)



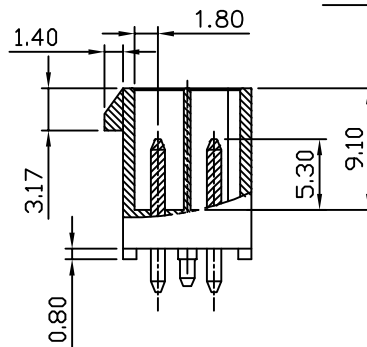
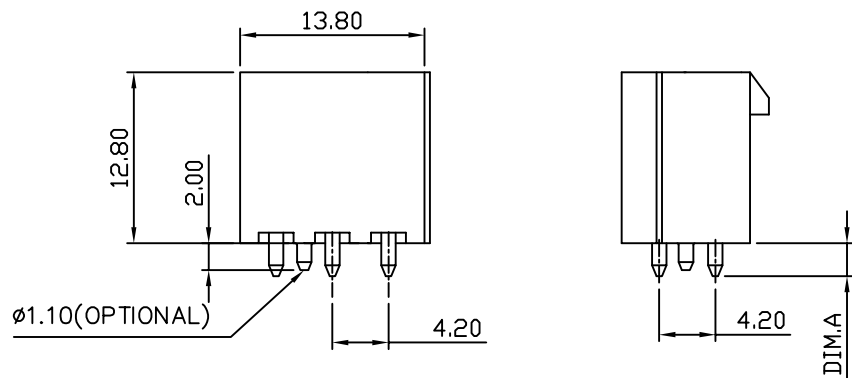
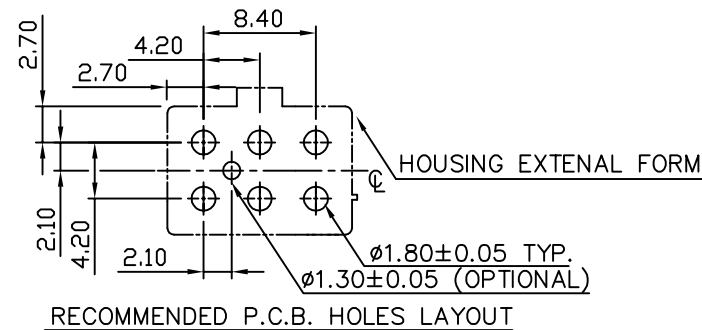
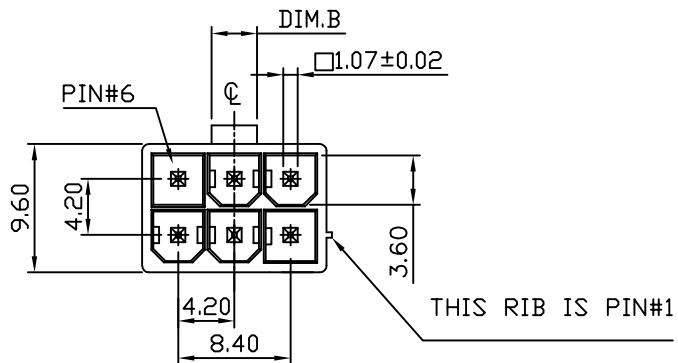
NOTE: UNLESS OTHERWISE SPECIFIED.

1. DIMENSIONS SHALL BE INTERPRETED PER ASME Y14.5M-1994.
2. SPEC. ARE SHOWN ON DRAWING "307-0300-1028".
3. MATERIALS ARE SHOWN ON DRAWING "307-0500-1028".
- △ PRODUCT NO. MATRIX : H M 52 ** * - * * * * *

REV.	ECN. No.	APPD.
A	BC077020423	Yusan
B	BC077037013	Yusan
C	BC087037673	Jake W.Yuan
D	BC087050897	Jake W.Yuan

PLEASE SEE 307-0500-1028

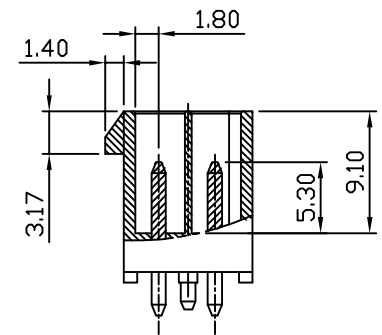
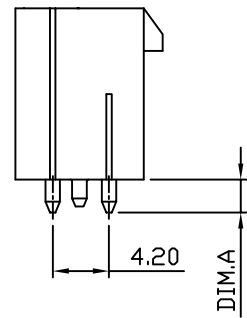
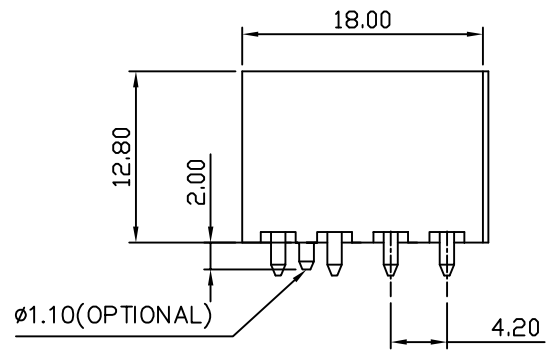
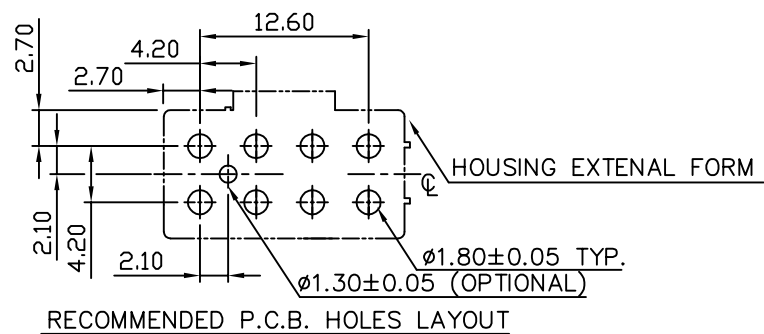
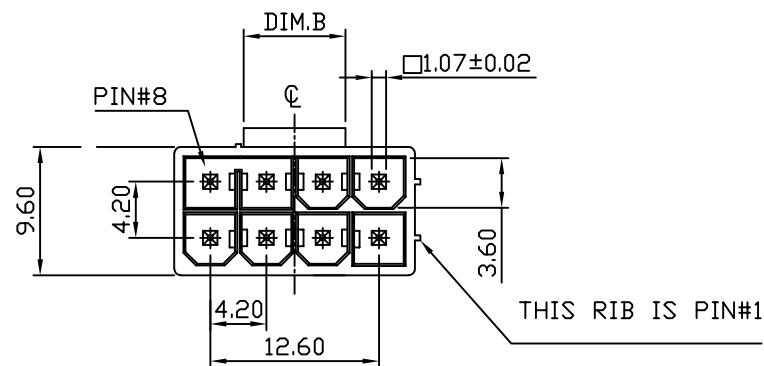
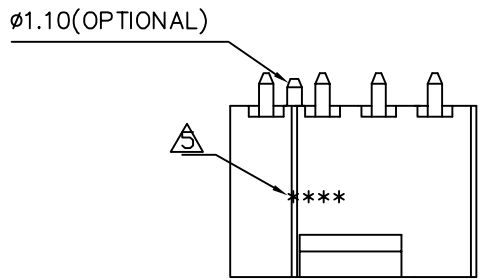
- △ DATE CODE: PLEASE REFER TO FOXCONN'S DOC. "SQ-3B0-070".
6. PLEASE CONTACT FOXCONN SALES REPRESENTATIVE TO VERIFY PRODUCT DETAIL&AVAILABILITY.
7. HARMFUL MATERIAL CONTROL PLEASE FOLLOW FOXCONN'S DOC. "EPI12".
8. THE CONCENTRATIONS OF Br&Cl CAN SATISFY THE REQUIREMENTS OF HALOGEN-FREE IN DOCUMENT EPI12.



ONLY FOR HM5203*-*****
TYPE I

X.±	X°±	UNITS	mm	NAME(INTENDED USE)	FOXCONN		
.X± 0.38	.X°±	MAT'L		POWER CONN.	HON HAI PRECISION IND. CO.,LTD. TAIPEI, TAIWAN, R.O.C.		
.XX± 0.25	.XX°±	FINISH		PART NO.(INTENDED USE) HM52 SERIES	TITLE: CUSTOMER DRAWING		
.XXX±	.XXX°±	Q'TY		APPD: Yihsin Chen	DWG NO.: 307-0000-1028		
<small>THESE DRAWINGS AND SPECIFICATIONS ARE THE PROPERTY OF HON HAI PRECISION IND. CO., LTD. AND SHALL NOT BE REPRODUCED, COPIED OR USED IN ANY MANNER WITHOUT THE PRIOR WRITTEN CONSENT OF HON HAI PRECISION IND. CO., LTD.</small>				CHKD: Wolfe Liu			
				DR: Chuck Zhang 12/16'10		<table border="1"> <tr> <th>SCALE</th> <th>SHEET</th> <th>REV.</th> </tr> <tr> <td>1/1</td> <td>1/3</td> <td>DX1</td> </tr> </table>	SCALE
SCALE	SHEET	REV.					
1/1	1/3	DX1					

REV.	ECN. No.	APPD.
------	----------	-------

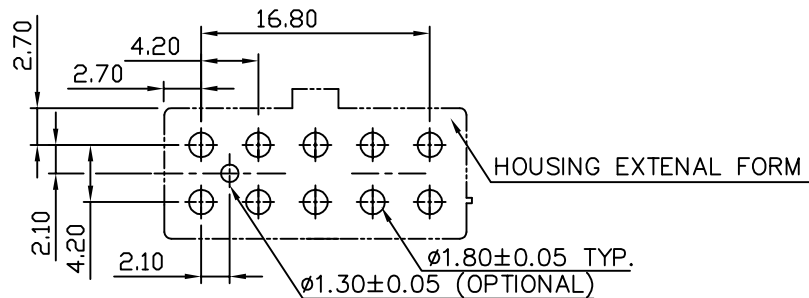
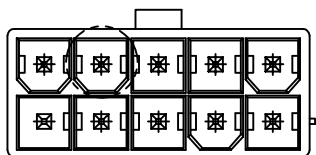
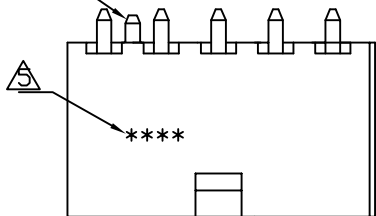


ONLY FOR HM5204*--***Z**
TYPE II

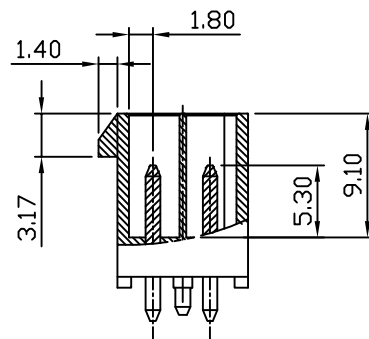
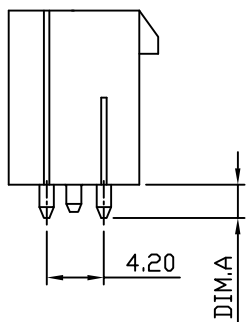
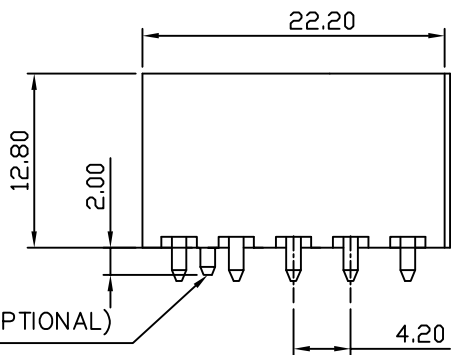
X.±	X°±	UNITS	mm	NAME(INTENDED USE)	FOXCONN HON HAI PRECISION IND. CO.,LTD. TAIPEI, TAIWAN, R.O.C.
.X± 0.38	.X°±	MAT'L		POWER CONN.	
.XX± 0.25	.XX°±			PART NO.(INTENDED USE)	TITLE:
.XXX±	.XXX°±	FINISH		HM52 SERIES	CUSTOMER DRAWING
THESE DRAWINGS AND SPECIFICATIONS ARE THE PROPERTY OF HON HAI PRECISION IND. CO., LTD. AND SHALL NOT BE REPRODUCED, COPIED OR USED IN ANY MANNER WITHOUT THE PRIOR WRITTEN CONSENT OF HON HAI PRECISION IND. CO., LTD.				APPD: Yihsin Chen	DWG NO.:
				Q'TY	CHKD: Wolfe Liu
				DR: Chuck Zhang 12/16'10	SCALE SHEET REV.
					1/1 2/2 DX1

REV.	ECN. No.	APPD.
------	----------	-------

ø1.10(OPTIONAL)



RECOMMENDED P.C.B. HOLES LAYOUT



ø1.10(OPTIONAL)

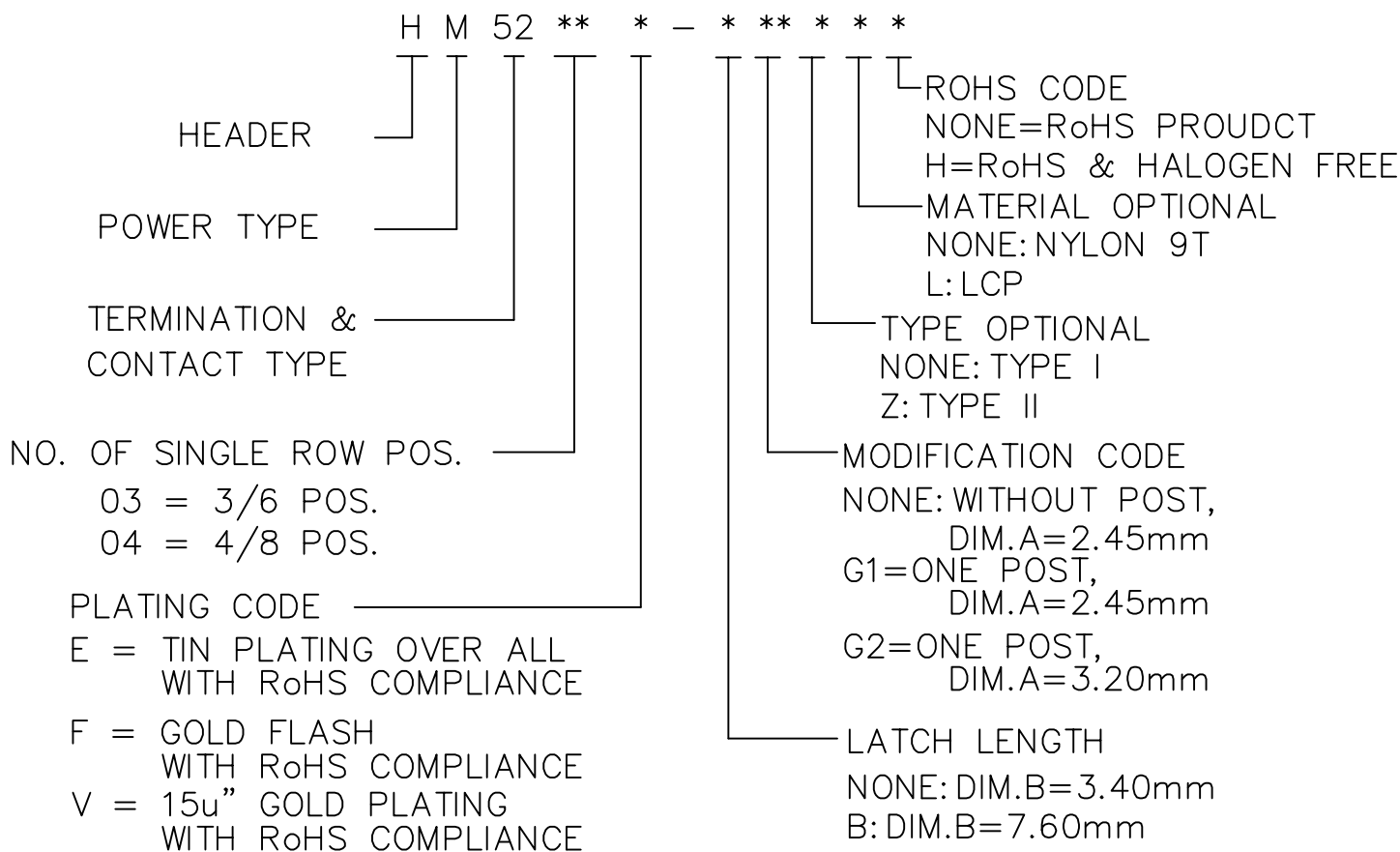
ONLY FOR HM5205*-*****
TYPE I

X.±	X°.±	UNITS	mm	NAME(INTENDED USE)	FOXCONN HON HAI PRECISION IND. CO.,LTD. TAIPEI, TAIWAN, R.O.C.		
.X± 0.38	.X°.±	MAT'L		POWER CONN.			
.XX± 0.25	.XX°.±	FINISH		PART NO.(INTENDED USE)	TITLE:		
.XXX±	.XXX°.±		HM52 SERIES	APPD: Yihsin Chen	CUSTOMER DRAWING		
THESE DRAWINGS AND SPECIFICATIONS ARE THE PROPERTY OF HON HAI PRECISION IND. CO., LTD. AND SHALL NOT BE REPRODUCED, COPIED OR USED IN ANY MANNER WITHOUT THE PRIOR WRITTEN CONSENT OF HON HAI PRECISION IND. CO., LTD.				Q'TY	DWG NO.:		
				CHKD: Wolfe Liu	307-0000-1028		
				DR: Chuck Zhang 12/16'10			
					SCALE	SHEET	REV.
				1/1	2/2	DX1	

ITEM	DESC.	Q'TY	MATERIAL	TREATMENT	REMARK
1	HOUSING	1	HIGH TEMP. LCP THERMOPLASTIC UL94 V-0	COLOR BLACK	
2	CONTACT	SEE NOTES BELOW	BRASS	A) NICKEL PLATING OVER ALL. THICKNESS : 50u" MIN. B) TIN OR GOLD PLATING ON CONTACT AREA SEE NOTES	

NOTES :

- HARMFUL MATERIAL CONTROL PLEASE FOLLOW FOXCONN'S DOC. "EPI12".
- THE CONCENTRATIONS OF Br&Cl CAN SATISFY THE REQUIREMENTS OF HALOGEN-FREE IN DOCUMENT EPI12.
- PRODUCT NO. MATRIX:



- PLEASE CONTACT FOXCONN SALES REPRESENTATIVE TO VERIFY PRODUCT DETAILS&AVAILABILITY.

FOXCONN HON HAI PRECISION IND. CO.,LTD.
TAIPEI, TAIWAN, R.O.C.

D	BC087050911	Jake W.Yuan
C	BC087037601	Jake W.Yuan
B	BC077037018	Yusan
A	BC077023209	Yusan
REV.	ECN NO.	APPD.

APPD. : Jake W.Yuan	TITLE : MATERIAL LIST POWER HEADER,VERTICAL,T/H
CHKD. : D.J.Chen	PROD. SERIES : HM52 SERIES
DR. : Betty Xie	DWG. NO : 307-0500-1028
5/27'08	REV. : DX1 SHEET : 1/1

PRODUCT SPECIFICATIONS:

1. MATERIAL AND FINISH:

1-1. HOUSING :

HIGH TEMPERATURE , LCP,THERMOPLASTIC , UL94 V-0 RATING.

1-2. CONTACT:

BRASS, 50u” MIN. NICKEL UNDER PLATING, TIN OR GOLD PLATING ON CONTACT AREA WITH RoHS COMPLIANCE.

2. ELECTRICAL CHARACTERISTICS:

2-1. CONTACT CURRENT RATING & APPLICABLE WIRES (UNIT:AMPS) .

Wire POS.	2&3	4-6	7-10	12-24
AWG#16	9	8	7	6
AWG#18	9	8	7	6
AWG#20	7	6	5	5
AWG#22	5	4	4	4
AWG#24	4	3	3	3
AWG#26	3	2	2	2
AWG#28	2	1	1	1

2-2. DIELECTRIC WITHSTANDING VOLTAGE: 1500 VAC AT SEA LEVEL.

2-3. INSULATION RESISTANCE: 1000 MEGOHMS MIN. .

3. MECHANICAL CHARACTERISTICS:

3-1. CONTACT RETENTION FORCE: 3 LBS(1.36 Kg) MIN. PER CONTACT.

4. ENVIRONMENTAL DATA:

4-1. SOLDERABILITY: PASSED EIA 364-52.

4-2. OPERATION TEMPERATURE: -40°C TO +105°C

4-3. HARMFUL MATERIAL CONTROL PLAESE FOLLOW FOXCONN'S DOC. "EPI12".

4-4. THE CONCENTRATIONS OF Br&Cl CAN SATISFY THE REQUIREMENTS OF HALOGEN-FREE IN DOCUMENT EPI12.

5. PLEASE CONTACT FOXCONN SALES REPRESENTATIVE TO VERIFY PRODUCT DETAIL&AVAILABILITY.

FOXCONN HON HAI PRECISION IND. CO.,LTD.
TAIPEI, TAIWAN, R.O.C.

APPD. : Jake W.Yuan	TITLE : SPECIFICATION POWER HEADER,VERTICAL,T/H
CHKD. : D.J.Chen	PROD. SERIES : HM52 SERIES
DR. : Betty Xie	DWG. NO : 307-0300-1028
5/27'08	REV. : B SHEET : 1/1

B	BC087050908	Jake W.Yuan
A	BC077023222	Yusan
REV.	ECN NO.	APPD.

X-ON Electronics

Largest Supplier of Electrical and Electronic Components

Click to view similar products for [Headers & Wire Housings](#) category:

Click to view products by [Foxconn](#) manufacturer:

Other Similar products are found below :

[0015917161](#) [0022155065](#) [57102-F02-18ULF](#) [58102-G61-06LF](#) [582553-1](#) [01.001.5753.1](#) [0050291907](#) [02.125.8002.8](#) [609-3404](#) [61062-3](#)
[CSU011177004](#) [622-0430](#) [622-3653LF](#) [63453-116](#) [636-1030](#) [636-1427](#) [636-3427](#) [636-4007](#) [641938-9](#) [65495-038](#) [65692-001LF](#) [65781-018](#)
[65781-047](#) [65817-010LF](#) [65817-015LF](#) [67095-007LF](#) [67601157](#) [68631-112](#) [68645-018](#) [699319-000](#) [70.362.1628.0](#) [70-4210](#) [70-4226B](#) [70-](#)
[4853B](#) [71.350.2428.0](#) [733-134](#) [733-162](#) [MHR-64-VUAL](#) [80.063.4001.1](#) [800-90-001-10-001000](#) [801-43-002-10-013000](#) [801-43-006-10-](#)
[002000](#) [803-43-024-10-001000](#) [803-93-012-10-001000](#) [8-1437020-4](#) [819-22-004-30-001101](#) [820-22-006-30-001101](#) [820-22-008-30-001101](#)
[821-22-002-10-001101](#) [821-22-003-10-002101](#)