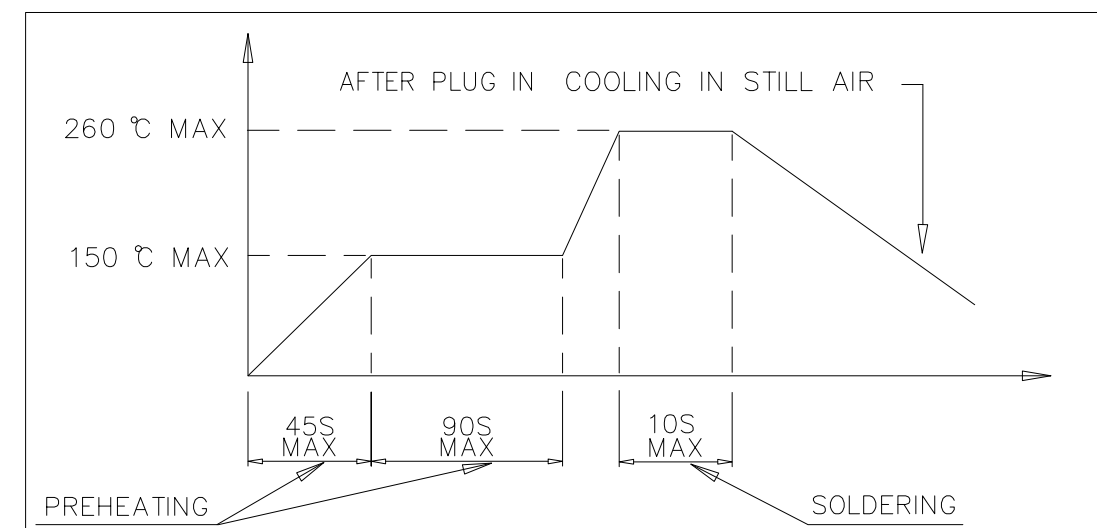
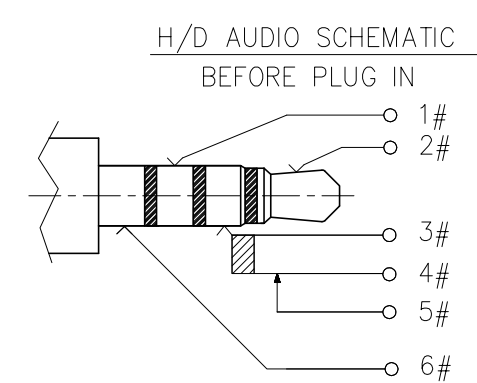
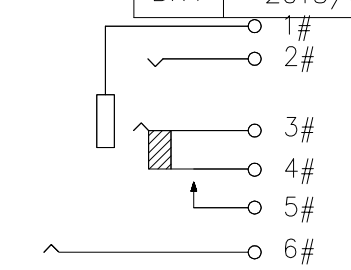


REV.	ECN. NO.	APPD.
A	BC-14-0018366	Shih-Wei Hsiao
B	BC-14-0026746	Shih-Wei Hsiao
BX1	2014/09/26	Shih-Wei Hsiao
BX2	2014-09-29	Shih-Wei Hsiao
BX3	2015/04/24	Shih-Wei Hsiao
BX4	2015/04/29	Shih-Wei Hsiao



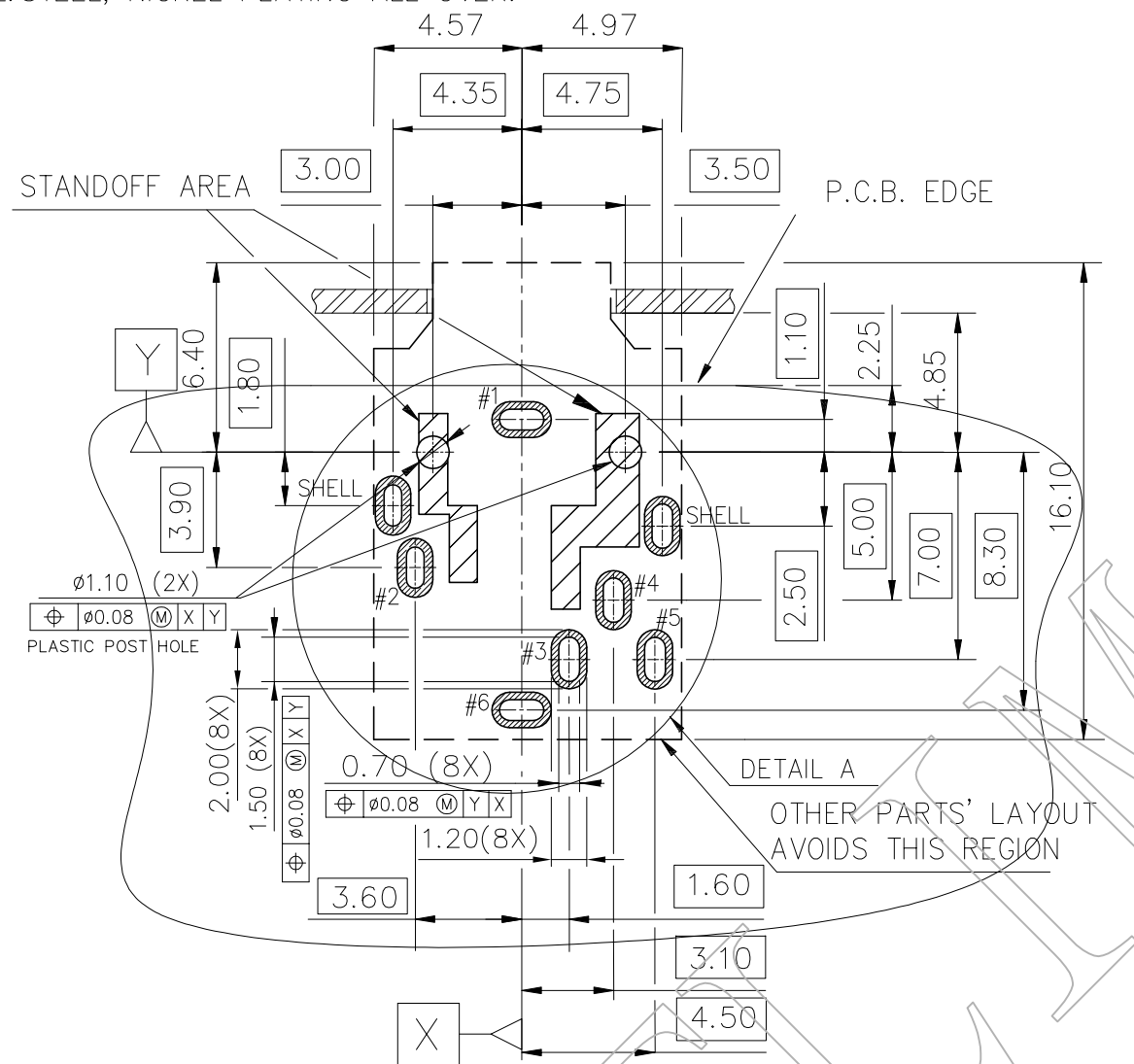
X.	X °	UNITS mm	NAME (INTENDED USE) AUDIO JACK CONNECTOR 4 POLE	FOXCONN® FOXCONN INTERCONNECT TECHNOLOGY LIMITED CLASS: <input type="checkbox"/> CONFIDENTIAL <input type="checkbox"/> SECRET <input checked="" type="checkbox"/> GENERAL						
.X ± 0.38	.X °	MAT'L	PART NO. (INTENDED USE) JA634*-40ADA5*-*H							
.XX ± 0.25	.XX °	FINISH	APPD: Shih-wei Hsiao	TITLE: CUSTOMER DRAWING						
.XXX	.XXX °	Q'TY	CHKD: Rex Wang	DWG NO.: 305-0000-5589						
THESE DRAWINGS AND SPECIFICATIONS ARE THE PROPERTY OF FOXCONN INTERCONNECT TECHNOLOGY LIMITED, AND SHALL NOT BE REPRODUCED, COPIED OR USED IN ANY MANNER WITHOUT THE PRIOR WRITTEN CONSENT OF FOXCONN INTERCONNECT TECHNOLOGY LIMITED.			DR: Xuhui Qu 04/29'15	<table border="1"> <tr> <td>SCALE</td> <td>SHEET</td> <td>REV.</td> </tr> <tr> <td>N/A</td> <td>1/4</td> <td>BX4</td> </tr> </table>	SCALE	SHEET	REV.	N/A	1/4	BX4
SCALE	SHEET	REV.								
N/A	1/4	BX4								

MATERIELS AND FINISH

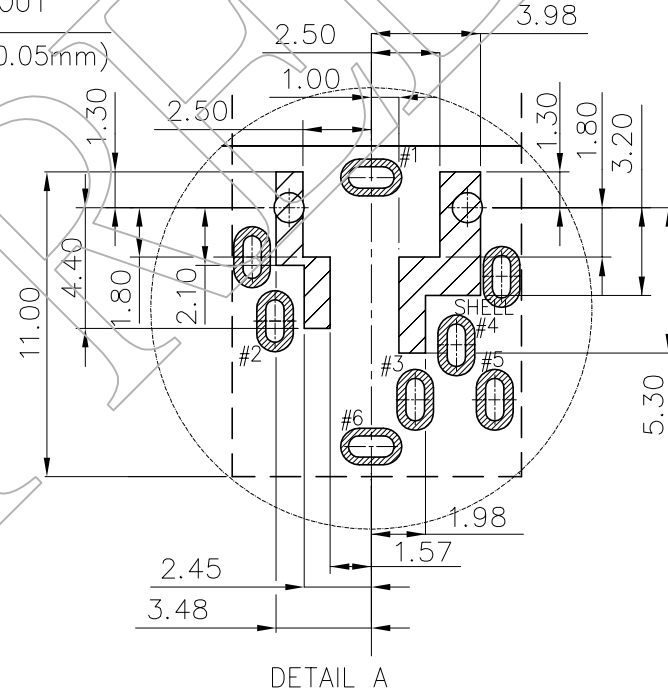
CONTACTS: COPPER ALLOY, GOLD PLATING AT CONTACT AREA.
 HOUSING: THERMOPLASTIC, UL94V-0.
 SHELL: STEEL, NICKEL PLATING ALL OVER.

NOTES:

1. ELECTRICAL CHARACTERISTIC:
 - 1-1. CONTACT CURRENT RATING: 1 AMPERES MAXIMUM.
 - 1-2. VOLTAGE: 150V AC MAXIMUM.
 - 1-3. INSULATION RESISTANCE: 100 MEGOHMS MINIMUM (INITIAL), 50 MEGOHMS MINIMUM (AFTER HUMIDITY TEST).
 - 1-4. DIELECTRIC WITHSTANDING VOLTAGE: 500V AC, RMS.
 - 1-5. CONTACT RESISTANCE: 50 MILLIOHMS MAXIMUM (INITIAL), 100 MILLIOHMS MAXIMUM (AFTER LIFE TEST).
2. MECHANICAL CHARACTERISTIC:
 - 2-1. MATING/UNMATING FORCE: 2.94 ~ 29.4 N (INITIAL), 1.96 ~ 29.4 N (AFTER LIFE TEST).
 - 2-2. DURABILITY: 5000 CYCLES.
3. PLEASE CONTACT FOXCONN SALES REPRESENTATIVE TO VERIFY PRODUCT DETAIL & AVAILABILITY.
4. PRODUCT USER GUIDE: MOISTURE SENSITIVE DEVICE MSL 5-AFTER PACKING HAS BEEN OPENED 24 HOURS, PARTS MUST BE BAKED FOR MIN. 5 DAYS AT 40 °C AND 5% RH.
5. RECOMMENDED PROCESS CONDITION: WAVE SOLDER, 260 °C, 3-5S.



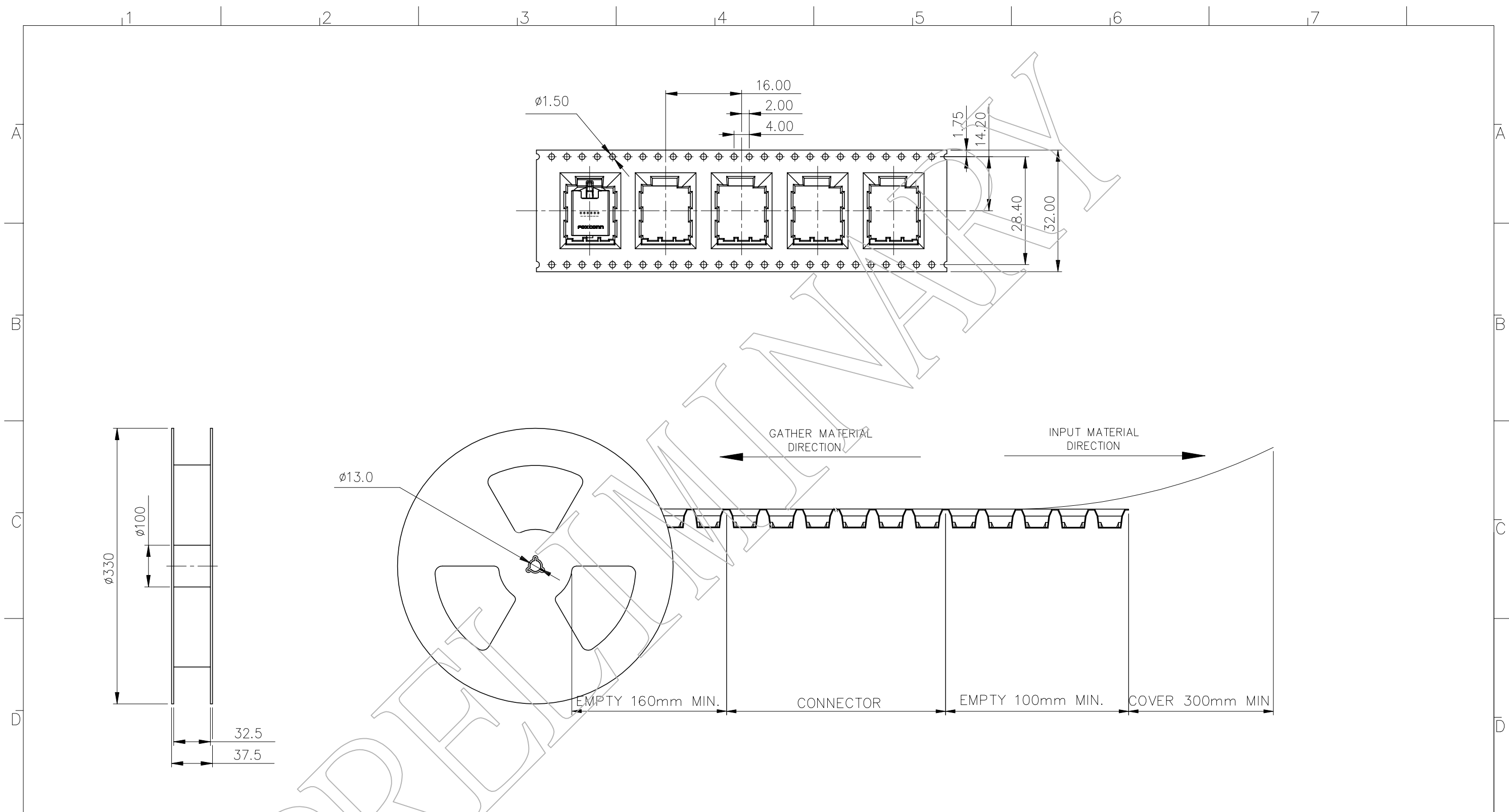
RECOMMENDED P.C.B. LAYOUT
 (UNSPECIFIED TOLERANCE: ±0.05mm)
 (TOP VIEW)



PROD. NO. : JA634*-40ADA5*-*H

SERIES PREFIX _____ H: HALOGEN FREE
 J = JACK _____ PACKING CODE
 CONN. SERIES _____ 7: TAPE & REEL
 A = AUDIO JACK _____ 4: TRAY
 BODY & TERMINATION TYPE _____ HOUSING COLOR:
 6 = SINGLE PORT: R/A; _____ B = Black
 PLUG DIAMETER _____ P = Pink
 3 = 3.50 _____ K = GREEN
 PLUG TYPE _____ TAIL LENGTH
 4 = 4 BAND N/O _____ 5 = 1.6mm
 CONTACT AREA PLATING _____ SHELL TYPE
 1 = GOLD PLATING _____ W/O SPRING
 C = 30u" Pd/Ni + GOLD PLATING _____
 CENTER HEIGHT1: _____ SERIES NO.
 4 = 4.Xmm _____
 CENTER HEIGHT2: _____
 0 = X.0mm _____

X.	X . °	UNITS mm	NAME (INTENDED USE) AUDIO JACK CONNECTOR 4 POLE	FOXCONN® FOXCONN INTERCONNECT TECHNOLOGY LIMITED CLASS: <input type="checkbox"/> CONFIDENTIAL <input type="checkbox"/> SECRET <input checked="" type="checkbox"/> GENERAL
.X ±0.38	.X °	MAT'L	PART NO. (INTENDED USE) JA634*-40ADA5*-*H	
.XX ±0.25	.XX °	FINISH	APPD: Shih-wei Hsiao	DWG NO. : 305-0000-5589
.XXX	.XXX °	Q'TY	CHKD: Rex Wang	SCALE SHEET REV. N/A 2/4 BX4
THESE DRAWINGS AND SPECIFICATIONS ARE THE PROPERTY OF FOXCONN INTERCONNECT TECHNOLOGY LIMITED. AND SHALL NOT BE REPRODUCED, COPIED OR USED IN ANY MANNER WITHOUT THE PRIOR WRITTEN CONSENT OF FOXCONN INTERCONNECT TECHNOLOGY LIMITED.			DR: Xuhui Qu 04/29'15	



NOTES

- CARRIER TAPE MATERIAL: ANTISTATIC PS BLACK
- CARRIER TAPE OPERATING TEMPERATURE: -5°C TO +60°C

X.	X . °	UNITS mm	NAME (INTENDED USE) AUDIO JACK CONNECTOR 4 POLE	FOXCONN® FOXCONN INTERCONNECT TECHNOLOGY LIMITED CLASS: <input type="checkbox"/> CONFIDENTIAL <input type="checkbox"/> SECRET <input checked="" type="checkbox"/> GENERAL						
X ± 0.38	.X °	MAT'L	PART NO. (INTENDED USE) JA634*-40ADA5*-*H							
.XX ± 0.25	.XX °	FINISH	APPD: Shih-wei Hsiao	TITLE: CUSTOMER DRAWING						
.XXX	.XXX°		Q'TY	CHKD: Rex Wang	DWG NO.: 305-0000-5589					
THESE DRAWINGS AND SPECIFICATIONS ARE THE PROPERTY OF FOXCONN INTERCONNECT TECHNOLOGY LIMITED, AND SHALL NOT BE REPRODUCED, COPIED OR USED IN ANY MANNER WITHOUT THE PRIOR WRITTEN CONSENT OF FOXCONN INTERCONNECT TECHNOLOGY LIMITED.			DR: Xuhui Qu 04/29'15	<table border="1"> <tr> <td>SCALE</td> <td>SHEET</td> <td>REV.</td> </tr> <tr> <td>N/A</td> <td>3/4</td> <td>BX4</td> </tr> </table>	SCALE	SHEET	REV.	N/A	3/4	BX4
SCALE	SHEET	REV.								
N/A	3/4	BX4								

P/N	PCS/REEL	REEL/BOX	PCS/BOX	PACKAGE SPEC.
JA634*-40ADA5*-7H	450	6	2700	

1 2 3 4 5 6 7

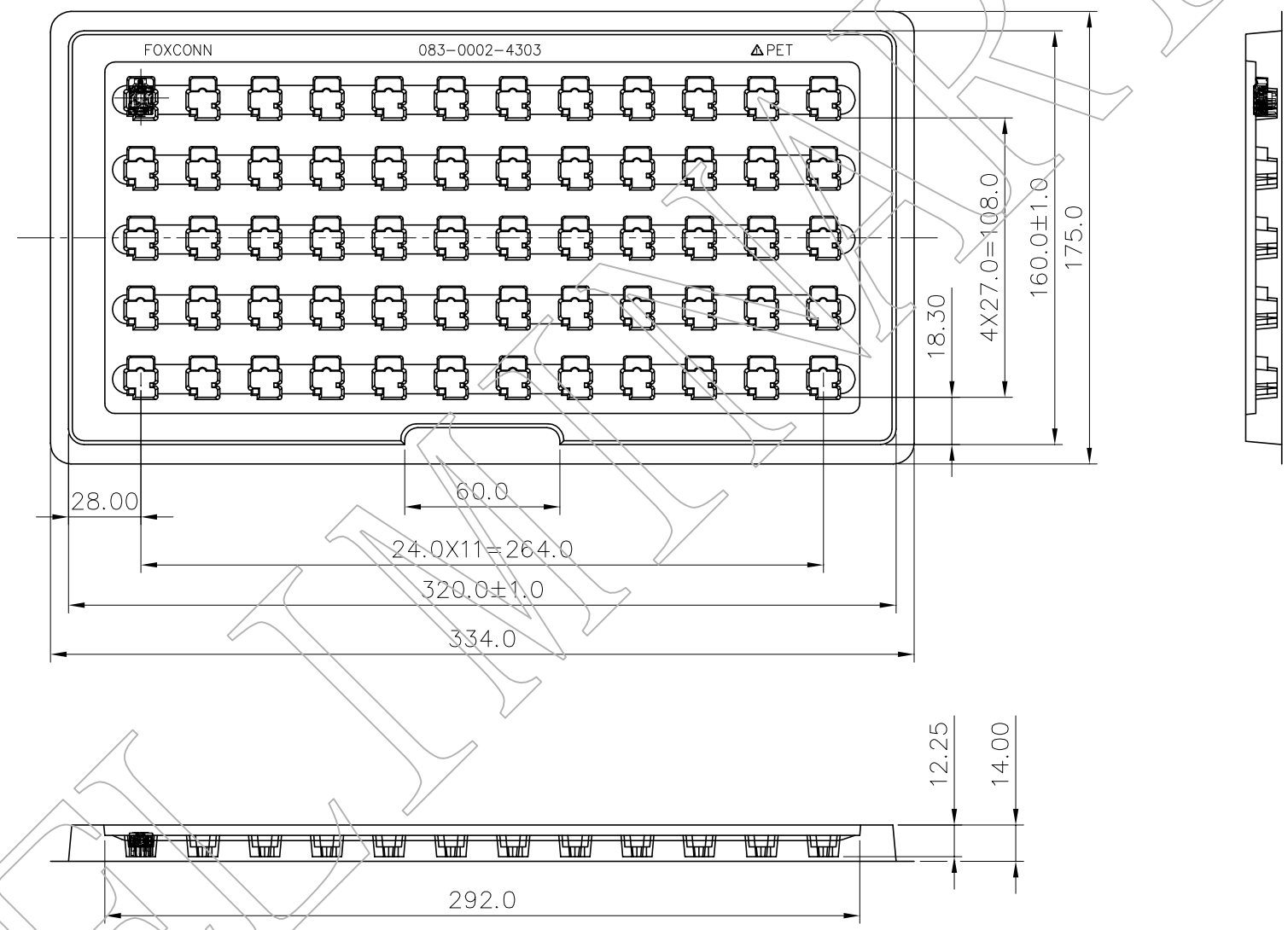
A

B

C

D

E



P/N	PCS/TRAY	TRAY/BOX	PCS/BOX	PACKAGE SPEC.
JA634*-40ADA5*-4H	60	36	2160	

X.	x . °	UNITS mm	NAME (INTENDED USE) AUDIO JACK CONNECTOR 4 POLE	FOXCONN® FOXCONN INTERCONNECT TECHNOLOGY LIMITED CLASS: <input type="checkbox"/> CONFIDENTIAL <input type="checkbox"/> SECRET <input checked="" type="checkbox"/> GENERAL						
.X ± 1.0	.X °	MAT'L								
.XX ± 0.5	.XX °	FINISH	PART NO. (INTENDED USE) JA634*-40ADA5*-*H	TITLE: CUSTOMER DRAWING						
.XXX	.XXX°		APPD: Shih-wei Hsiao	DWG NO. : 305-0000-5589						
THESE DRAWINGS AND SPECIFICATIONS ARE THE PROPERTY OF FOXCONN INTERCONNECT TECHNOLOGY LIMITED. AND SHALL NOT BE REPRODUCED, COPIED OR USED IN ANY MANNER WITHOUT THE PRIOR WRITTEN CONSENT OF FOXCONN INTERCONNECT TECHNOLOGY LIMITED.			CHKD: Rex Wang	<table border="1"> <tr> <th>SCALE</th> <th>SHEET</th> <th>REV.</th> </tr> <tr> <td>N/A</td> <td>4/4</td> <td>BX4</td> </tr> </table>	SCALE	SHEET	REV.	N/A	4/4	BX4
			SCALE		SHEET	REV.				
N/A	4/4	BX4								
			DR: Xuhui Qu 04/29'15							

1 2 3 4 5 6 7

X-ON Electronics

Largest Supplier of Electrical and Electronic Components

Click to view similar products for [Foxconn](#) manufacturer:

Other Similar products are found below :

[2E0BC21-S64BM-7H](#) [2E0BC21-S85BM-7H](#) [2EF5497-DA9D0-8H](#) [2EF5497-DA9DB-8H](#) [2EF5B57-DA9DN-5F](#) [2EG04927-D2DB-DF](#)
[2EG04927-D2D-DF](#) [2EG04927-D2LN-DF](#) [2EG08217-D2D-DF](#) [2EG14917-D2D8-4F](#) [2EG24927-D5D1-JF](#) [2EG28213-D5D-4F](#) [2EM5407-](#)
[B19BL-8F](#) [2EZ00161-PH2-4F](#) [3H993321-4M41-01H](#) [3S000000-3L-4F](#) [3S1020F3-AD4-4F](#) [3S103823-01-7F](#) [3VD21203-H7U0-4H](#)
[3VM11201-D730-7H](#) [AH58897-T2B20-3F](#) [AS0A621-H2R6-7H](#) [AS0A621-H2S6-7H](#) [AS0A621-H8RN-7H](#) [AS0A621-H8SN-7H](#) [AS0A621-](#)
[HARN-7H](#) [AS0A621-HASN-7H](#) [AS0A626-HASN-7H](#) [AS0A626-J4R6-7H](#) [AS0A821-H2RB-7H](#) [AS0A821-H2SB-7H](#) [AS0A826-H2RB-7H](#)
[AS0A826-H2SB-7H](#) [AS0B221-S52Q-7H](#) [AS0B221-S68Q-7H](#) [AS0B221-S90Q-7H](#) [AS0B226-S99Q-7H](#) [AS0B821-S55B-7H](#) [AS0B826-S78B-](#)
[7H](#) [AS0BC21-S30BA-7H](#) [AS0BC21-S30BB-7H](#) [AS0BC21-S30BE-7H](#) [AS0BC21-S30BM-7H](#) [AS0BC21-S40BB-7H](#) [AS0BC21-S40BE-7H](#)
[AS0BC21-S48BE-7H](#) [ASAA821-EARB0-7H](#) [ASAA821-H4SB5-7H](#) [ASAA826-E8SB0-7H](#) [ASOB226-S52Q-7H](#)