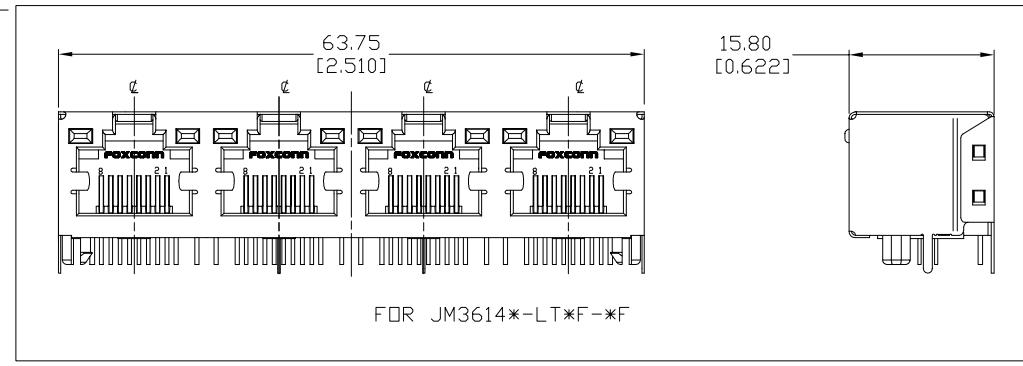
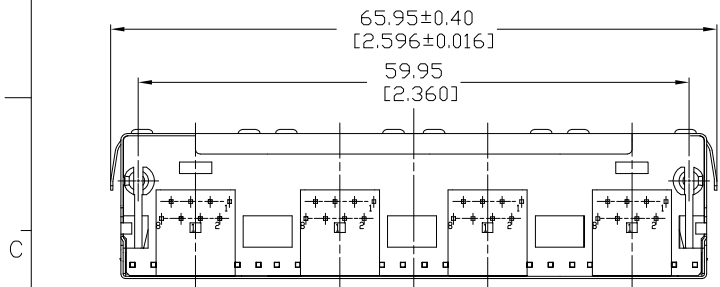
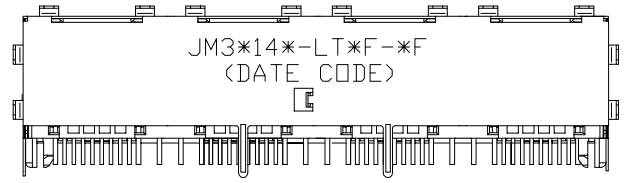
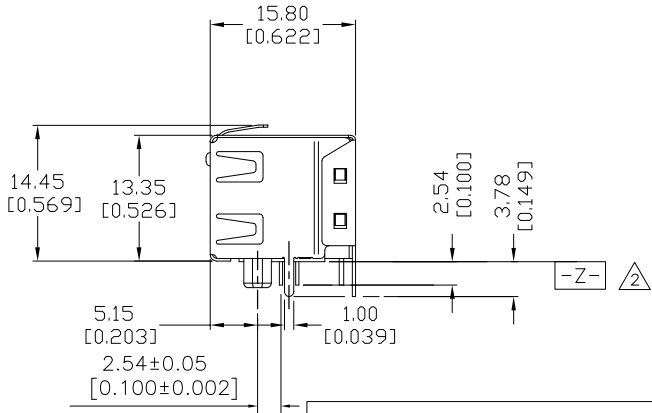
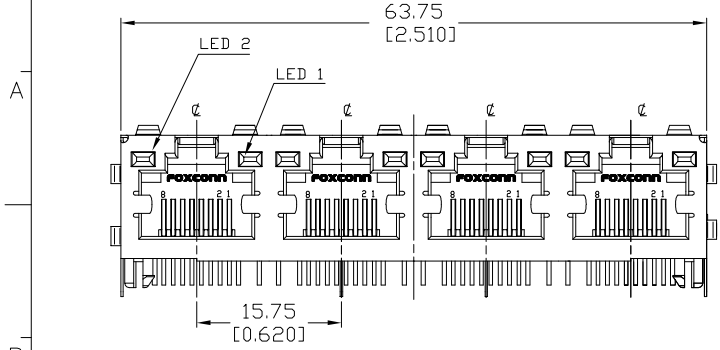


AUTOCAD CREATED DRAWING.DON'T CHANGE BY HAND.

REV.	ECN. NO.	APPD.
A	BC05744541	JOHN CHOW
B	BC06735856	JOHN CHOW
BX2	SWR-09-XX	L.C. WU



FOR JM3714\*-LT\*F-\*F

FOR JM3614\*-LT\*F-\*F

PART NO.	LED 2	LED 1
	9Φ10	11Φ12
JM3*14*-LT0F-*F	WITHOUT LED	WITHOUT LED
JM3*14*-LT1F-*F	YELLOW	GREEN
JM3*14*-LT2F-*F	GREEN	GREEN
JM3*14*-LT3F-*F	GREEN	YELLOW
JM3*14*-LT4F-*F	YELLOW	YELLOW
JM3*14*-LT7F-*F	ORANGE	YELLOW
JM3*14*-LT9F-*F	YELLOW	YELLOW
JM3*14*-LT9F-*F	GREEN	GREEN

PRODUCT NO. : J M 3 \* 1 4 \* - L T \* F - \* F

SERIES PREFIX: JM=MODULAR JACK  
 BODY & TERMINATION: 3=R/A ALL SHIELDED T/H  
 DESIGN TYPE: 6=W/O PANEL-GND, W/B/L  
 7=W/TOP & SIDE PANEL-GND, W/B/L  
 POS. TYPE: 1=8P8C  
 NO. OF BODY: 4=4PORT

F: LEAD FREE  
 4: SOFT TRAY  
 F: EXTENSION CODE  
 LED COLOR SEE TABLE I  
 CONTACT PLATING  
 1=FLASH GOLD(1~3u")  
 3=30u" GOLD  
 5=50u" GOLD  
 7=15u" GOLD

ITEM	DESCRIPTION	Q'TY	MATERIAL	TREATMENT	REMARK
1	HOUSING	1	THERMOPLASTIC UL 94V-0	MOLDED BLACK	
2	LOCKER	8	THERMOPLASTIC UL 94V-0	MOLDED BLACK	
3	SPACER	4	THERMOPLASTIC UL 94V-0	MOLDED BLACK	
4	SHELL	1	BRASS ALLOY	NICKEL UNDER PLATING OVERALL, TIN PLATING OVER NICKEL AT SOLDER TAIL	
5	CONTACT	32	PHOSPHOR BRONZE	NICKEL PLATED OVERALL, LEAD FREE TIN PLATED AT SOLDER TAIL AND GOLD PLATED AT CONTACT AREA	
6	LED	*	GaP/GaP		

DESCRIPTION OF ABBREVIATION IN LED LAMP OPTION TABLE I

NOTES: UNLESS OTHERWISE SPECIFIED

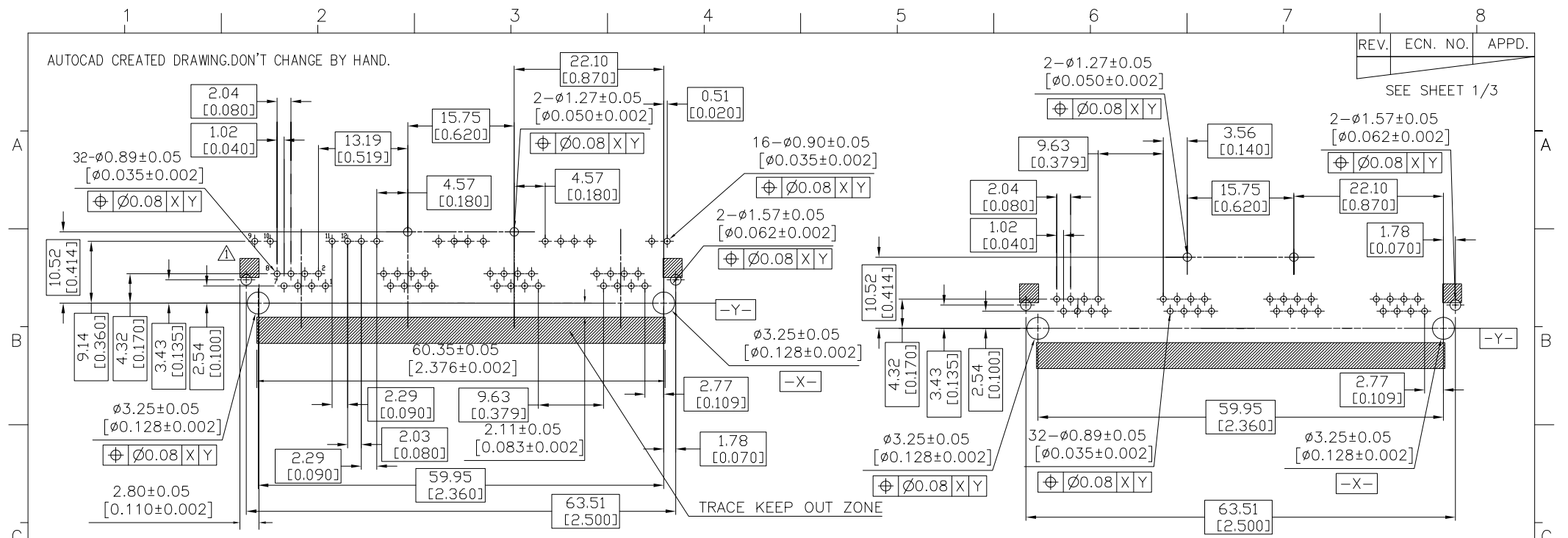
- CONNECTOR TO COMPLY WITH CFR TELECOMMUNICATION STANDARD PART 68 SUBPART F.
- PC BOARD SURFACE(STAND OFF) PLANE ( DATUM  $\square Z$  ).
- RECOMMENDED SOLDER PROCESS: WAVE SOLDER, PEAK TEMPERATURE 260°C, FOR 5 SECOND MAX.

X.±	X°.± 2°	UNITS mm [INCH]	NAME(INTENDED USE)	<b>FOXCONN</b> HON HAI PRECISION IND. CO.,LTD. TAIPEI, TAIWAN, R.O.C.
.X± 0.35[0.014]	.X°.± 1°		CUSTOMER	
.XX± 0.25[0.010]	.XX°.±	FINISH	PART NO.(INTENDED USE)	TITLE: RJ45 1X4 (FULLY SHIELDED,T/H)
.XXX±	.XXX°.±		JM3*14*-LT*F-*F	
THESE DRAWINGS AND SPECIFICATIONS ARE THE PROPERTY OF HON HAI PRECISION IND. CO., LTD. AND SHALL NOT BE REPRODUCED, COPIED OR USED IN ANY MANNER WITHOUT THE PRIOR WRITTEN CONSENT OF HON HAI PRECISION IND. CO., LTD.			APPD: L.C. WU 07/06'09	DWG NO.: 305-0000-1331
			CHKD: D.K.ZHANG 07/06'09	SCALE SHEET REV. 1:1 1/3 BX2
			DR: L.Z.LI 07/06'09	

AUTOCAD CREATED DRAWING.DON'T CHANGE BY HAND.

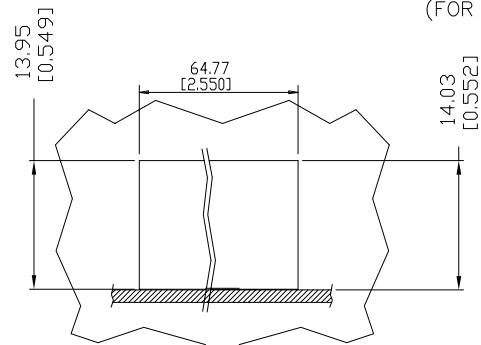
REV.	ECN. NO.	APPD.
------	----------	-------

SEE SHEET 1/3

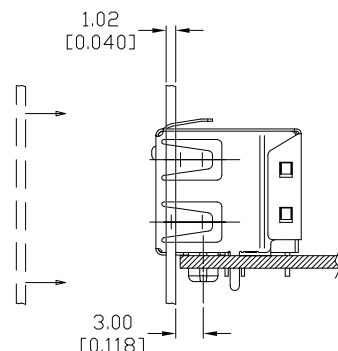


RECOMMENDED P.C.B. LAYOUT (VIEW FROM COMPONENT SIDE)  
(FOR W/LED)

RECOMMENDED P.C.B. LAYOUT (VIEW FROM COMPONENT SIDE)  
(FOR W/O LED)



RECOMMENDED PANEL CUTOUT AND JACK LOCATION  
RECOMMENDED PCB THICKNESS: 1.57mm.



2.4. DOMINANT WAVELENGTH: GREEN LED 568nm TYPICAL.  
YELLOW LED 589nm TYPICAL.  
RED LED 629nm TYPICAL.  
ORANGE LED 604nm TYPICAL.

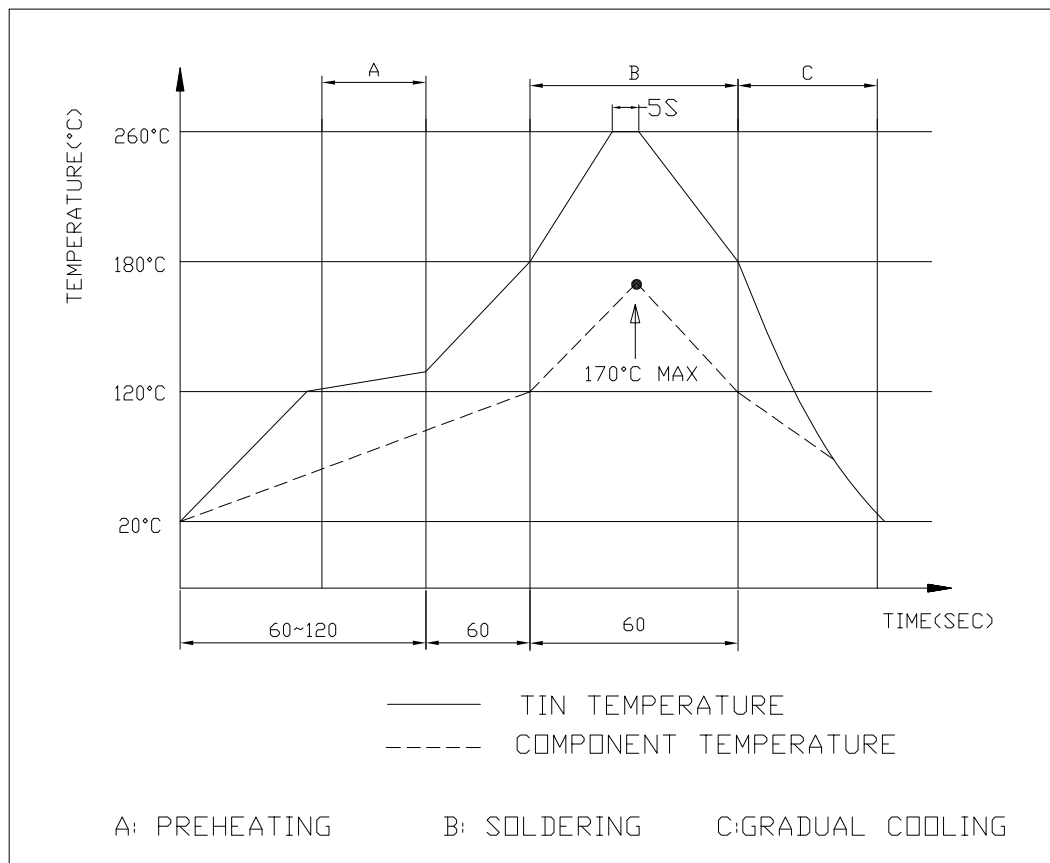
3. MECHANICAL:
- 3.1 MATING FORCE: 5POUNDS MAXIMUM WITH LATCH DEPRESSED
  - UNMATING FORCE: 10POUNDS MAXIMUM WITH LATCH DEPRESSED AT AN ADVANTAGEOUS ANGLE
  - PLUG RETENTION FORCE: 10 POUNDS MINIMUM
  - 3.2 DURABILITY (MATING/UNMATING): 1000 CYCLES
  - 3.3 INSERTION FORCE OF PCB RETENTION POSTS: 15 POUNDS MAX
  - 3.4 OPERATING TEMPERATURE RANGE: 0° C to +70° C.
  - 3.5 STORAGE TEMPERATURE RANGE: -30°C to +85°C

SPECIFICATIONS:

1. ELECTRICAL:
- 1.1 CURRENT RATING: 1.5 AMPERES MAXIMUM
  - 1.2 VOLTAGE RATING: 150 VAC
  - 1.3 INSULATION RATING: 500 MEGOHMS MINIMUM
  - 1.4 DIELECTRIC WITHSTANDING VOLTAGE: 1000 VAC CONTACT TO CONTACT WITHSTAND 1 MINUTE AT LEAST
2. LED SPECIFICATIONS:
- 2.1. FORWARD VOLTAGE(20mA) : 2.2v (TYP.)
  - 2.2. REVERSE VOLTAGE(20mA) : 5.0v (MAX.)
  - 2.3. POWER DISSIPATION : 80mW MAX.

X.±	X°.± 2°	UNITS MM [INCH]	NAME(INTENDED USE)	<b>FOXCONN</b>
.X± 0.25[0.010]	.X°.± 1°	MAT'L	CUSTOMER	HON HAI PRECISION IND. CO.,LTD. TAIPEI, TAIWAN, R.O.C.
.XX±0.10[0.004]	.XX°.±	FINISH	PART NO.(INTENDED USE)	TITLE: RJ45 1X4 (FULLY SHIELDED,T/H)
.XXX±	.XXX°.±	Q'TY	APPD: L.C. WU 07/06'09	DWG NO.: 305-0000-1331
THESE DRAWINGS AND SPECIFICATIONS ARE THE PROPERTY OF HON HAI PRECISION IND. CO., LTD. AND SHALL NOT BE REPRODUCED, COPIED OR USED IN ANY MANNER WITHOUT THE PRIOR WRITTEN CONSENT OF HON HAI PRECISION IND. CO., LTD.			CHKD: D.K.ZHANG 07/06'09	SCALE SHEET REV. 1:1 2/3 BX2
			DR: L.Z.LI 07/06'09	

RECOMMENDED PROFILE OF WAVE SOLDER:



WAVE SOLDER CURVE

(1) PEAK TEMPERATURE: 260°C

(2) PEAK TEMPERATURE TIME: 5 SEC MAX.

X.±	X°± 2°	UNITS MM [INCH]	NAME(INTENDED USE)	<b>FOXCONN</b> HON HAI PRECISION IND. CO.,LTD. TAIPEI, TAIWAN, R.O.C.
.X± 0.25[0.010]	.X°± 1°	MAT'L	CUSTOMER	
.XX± 0.10[0.004]	.XX°±	FINISH	PART NO.(INTENDED USE)	TITLE: RJ45 1X4 (FULLY SHIELDED,T/H)
.XXX±	.XXX°±		JM3*14*~LT*F~*F	APPD: L.C. WU 07/06'09
THESE DRAWINGS AND SPECIFICATIONS ARE THE PROPERTY OF HON HAI PRECISION IND. CO., LTD. AND SHALL NOT BE REPRODUCED, COPIED OR USED IN ANY MANNER WITHOUT THE PRIOR WRITTEN CONSENT OF HON HAI PRECISION IND. CO., LTD.			Q'TY	CHKD: D.K.ZHANG 07/06'09
			DR: L.Z.LI 07/06'09	SCALE SHEET REV. 1:1 3/3 BX2

## X-ON Electronics

Largest Supplier of Electrical and Electronic Components

*Click to view similar products for [Modular Connectors / Ethernet Connectors](#) category:*

*Click to view products by [Foxconn](#) manufacturer:*

Other Similar products are found below :

[8949-H88/06BLKA/SN](#) [74441-0010/BKN](#) [PHP-6P6C-5](#) [GAX-3-66](#) [GDCX-PN-66](#) [GLX-A-44](#) [GLX-N-1010M-BLK](#) [GLX-S-88M-BLK](#)  
[GMX-SMT4-N-88](#) [GSGX-N-2-88](#) [GSGX-N-4-88](#) [GSX-NS2-88-3.05](#) [GSX-NS-88-3.68](#) [PT-108A-8C-UL](#) [PTS-J531-8CS-50UL](#) [A-2014-0-4](#)  
[GWLX-S9-88-YG](#) [DC-1021-8-WH-6](#) [1300530003](#) [1324640-4](#) [132764-001](#) [1413235](#) [MPS88RX-5000](#) [E5288-S000K3-L](#) [155302-001](#)  
[AX101050](#) [AX101063](#) [AX101065](#) [AX101072](#) [AX101307](#) [AX101315](#) [AX101318](#) [AX102271](#) [AX102277](#) [AX102651](#) [AX102660](#) [AX104024](#)  
[203475](#) [PC4D0018P](#) [KIT38082NI](#) [8949-B88/6](#) [2-6609208-5](#) [30-8956](#) [30-8964-100](#) [SM85](#) [SM99S01VBNN04G7](#) [17-103540](#) [191587](#) [PDI-68-RV](#) [PHP-8P8C-S-5](#)