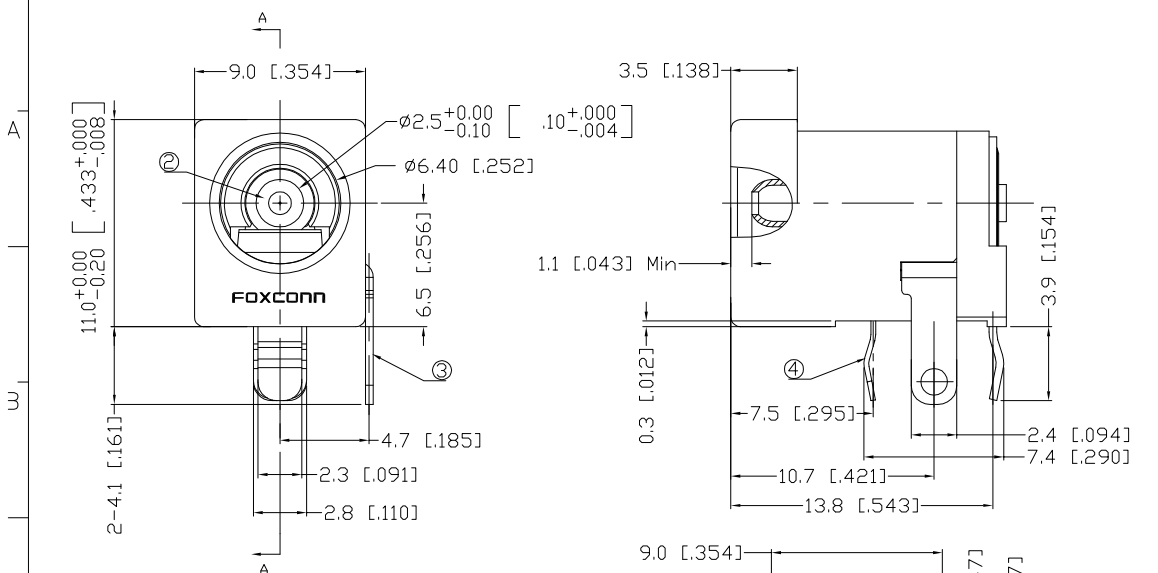
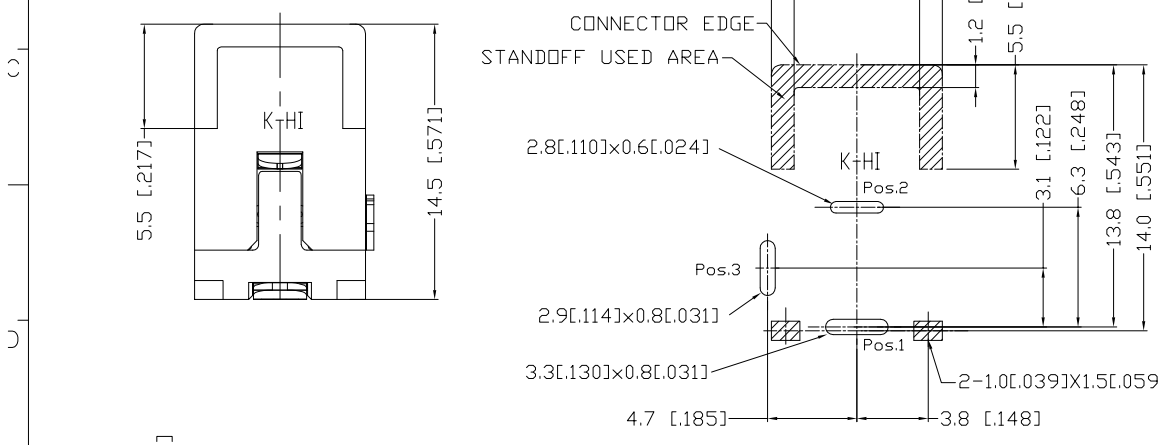
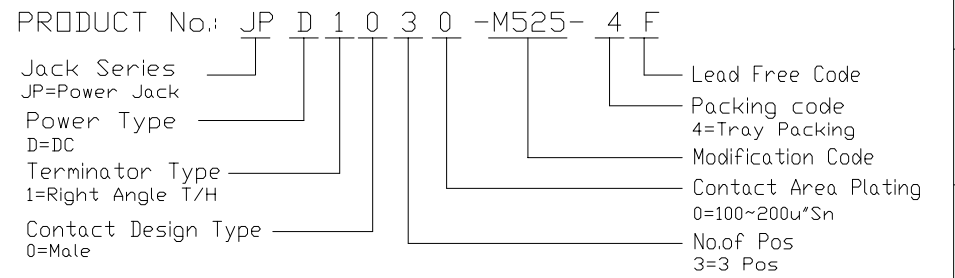


REV.	ECN. NO.	APPD.
A	BC-09-7097486	Hao Gu
AX1	2009/10/21	Edward Zheng
AX2	2009/10/22	Edward Zheng
AX3	2009/11/23	Edward Zheng
AX4	2010/03/31	Edward Zheng

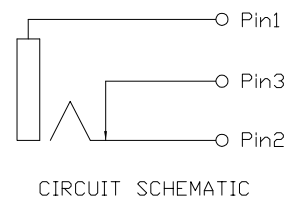
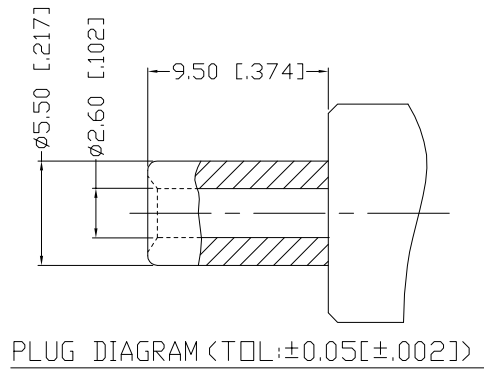


SPECIFICATION:

- ELECTRICAL CHARACTERISTICS :
 - CONTACT CURRENT RATING : DC 50V 5A MAX;
 - CONTACT RESISTANCE: 30 MILLIOHMS MAX INITIAL, 60 MILLIOHMS MAX. AFTER LIFE TEST
 - DIELECTRIC WITHSTANDING VOLTAGE : 500 VAC MIN.
 - INSULATION RESISTANCE : 100 MEGOHMS MIN.
- MECHANICAL CHARACTERISTICS :
 - CONNECTOR MATING FORCE : 3~30N(0.3~3.0Kgf).
 - CONNECTOR UNMATING FORCE: 3~30N(0.3~3.0Kgf).
 - DURABILITY: 5000 CYCLES.
 - OPERATING TEMPERATURE : -25°C TO +70°C
- ENVIRONMENTAL SPECIFICATIONS:
 - STORAGE TEMPERATURE:-40°C~70°C
 - HUMIDITY: 5%~95%
- RECOMMENDED WAVE SOLDER PEAK TEMPERATURE: 260°C,3~5S.
IR REFLOW PEAK TEMP.:230°C~250°C, 20~40SEC
- RECOMMENDED P.C.B. THICKNESS: 1.60±0.05[.063±.002].
- THE PRODUCT IS RoHS COMPLIANT

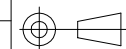


**RECOMMENDED P.C.B LAYOUT
COMPONENT SIDE(TOL:±0.05[.002])**



ITEM	DESC.	Q'TY	MATERIAL	TREATMENT	REMARK
6	COVER	1	HIGH-TEMP. THERMOPLASTIC UL 94V-0	MOLDED BLACK	
5	BACK CONTACT	1	COPPER ALLOY	LEAD FREE TIN PLATED	
4	SPRING CONTACT	1	COPPER ALLOY	LEAD FREE TIN PLATED	
3	SWITCH CONTACT	1	STEEL	LEAD FREE TIN PLATED	
2	CENTER PIN	1	COPPER ALLOY	LEAD FREE TIN PLATED	
1	HOUSING	1	HIGH-TEMP. THERMOPLASTIC UL 94V-0	MOLDED BLACK	

X.±	X'.±	UNITS	mm [inch]	NAME(INTENDED USE)	FOXCONN HON HAI PRECISION IND. CO.,LTD. TAIPEI, TAIWAN, R.O.C.	
.X±	.X'±	MAT'L	N/A	CUSTOMER		
.XX±	.XX'±	FINISH	N/A	PART NO.(INTENDED USE)	TITLE: DC POWER JACK CENTER PIN=Ø2.50	
.XXX±	.XXX'±	Q'TY	N/A	JPD1030-M525-4F	DWG NO.: 305-0000-3846	
THESE DRAWINGS AND SPECIFICATIONS ARE THE PROPERTY OF HON HAI PRECISION IND. CO., LTD. AND SHALL NOT BE REPRODUCED COPIED OR USED IN ANY MANNER WITHOUT THE PRIOR WRITTEN CONSENT OF HON HAI PRECISION IND. CO., LTD.				APPD:	Andy Yao 3/31/10	
				CHKD:	Jesse Wang 3/31/10	
				DR:	Andy Tian 3/31/10	
				SCALE	SHEET	REV.
				N/A	1/1	AX4



X-ON Electronics

Largest Supplier of Electrical and Electronic Components

Click to view similar products for [DC Power Connectors](#) category:

Click to view products by [Foxconn](#) manufacturer:

Other Similar products are found below :

[KLDX-SMT-0202-BPTR](#) [171-0722-E](#) [K596](#) [KLD-0201-BC](#) [4C6831AX](#) [10073976-112LF](#) [LCB60PW-M](#) [LCB30PW-M](#) [LCB60PB-M](#)
[LCC30PB-M](#) [LCB50PW-M](#) [LCB50-M](#) [LCB60-F](#) [LCC30-M](#) [LCB40PW-M](#) [LCC30PW-M](#) [LCB50-F](#) [LCB40-F](#) [LCB30-F](#) [LCC40-M](#)
[LCC40PB-M](#) [LCB40PB-M](#) [LCC40-F](#) [LCB60-M](#) [LCC40PW-M](#) [LCB50PB-M](#) [DC-002-100](#) [DC-031A-130](#) [DC-031A-100](#) [DC-003A-130](#)
[DC-045-130](#) [DC-192-130](#) [DC-033-130](#) [DC-011-100](#) [DC-002F-130](#) [DC-002-130](#) [DB-14-2F](#) [DC-183B](#) [DC-060-04A](#) [DC-099-200](#) [DC-015-](#)
[250-A](#) [DC-016-200-A](#) [DC-005A-200](#) [DC-044A-200](#) [DC-088-200](#) [DC-022A-200](#) [DC-038-150](#) [DC-012A-250](#) [DC-005C-130](#) [DC-012A-200](#)