

REV.	ECN. NO.	APPD.
A	BC-07-7025410	Hao Gu
B	BC-07-7039049	Hao Gu

1. ELECTRICAL CHARACTERISTICS :

1-1. CONTACT CURRENT RATING :  
DC 20V 5A MAX;  
60 MILLIOMHS MAX. AFTER LIFE TEST

1-2. CONTACT RESISTANCE: 30 MILLIOMHS MAX INITIAL,  
1-3. DIELECTRIC WITHSTANDING VOLTAGE : 500 VAC MIN.

1-4. INSULATION RESISTANCE : 100 MEGOHMS MIN.

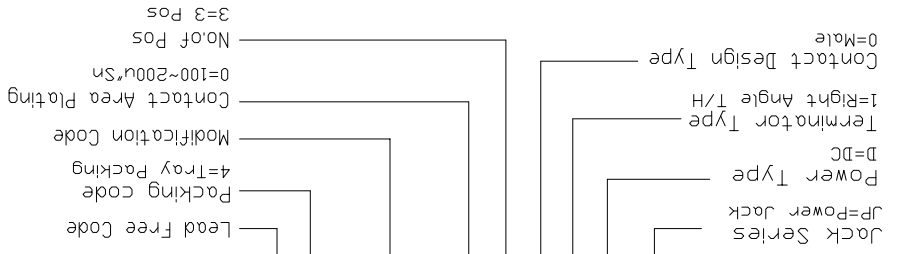
2. MECHANICAL CHARACTERISTICS :

2-1. CONNECTOR MATING FORCE : 3~30N(0.3~3.0kgf),  
2-2. CONNECTOR UNMATING FORCE: 3~30N(0.3~3.0kgf),  
2-3. DURABILITY: 5000 CYCLES.

2-4. OPERATING TEMPERATURE : -25°C±2°C TO +70°C±2°C.

3. RECOMMENDED WAVE SOLDER PEAK TEMPERATURE: 260°C,3~5S,  
4. RECOMMENDED P.C.B. THICKNESS: 1.60±0.10[.063±.004],  
5. THE PRODUCT IS ROHS COMPLIANT

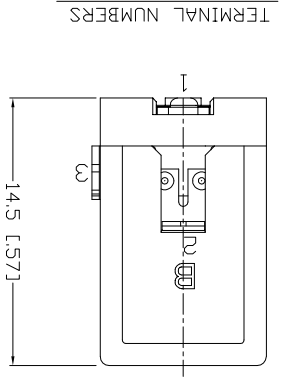
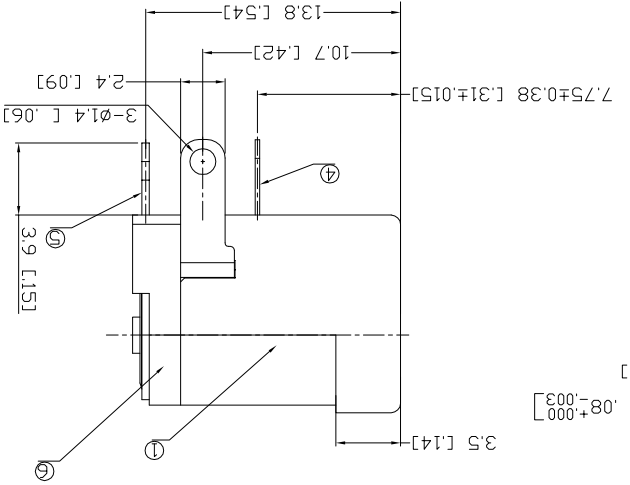
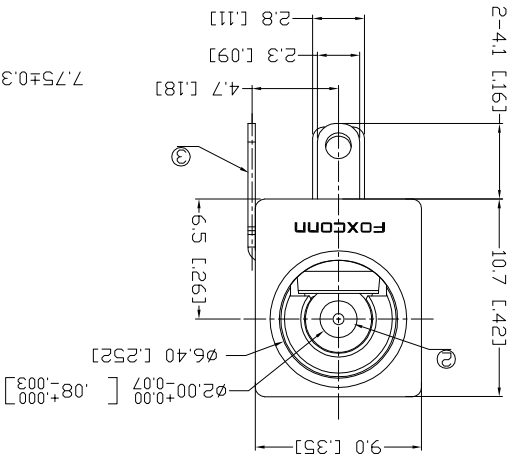
PRODUCT No.: JP D 1 0 3 0 -NS21- 4 F



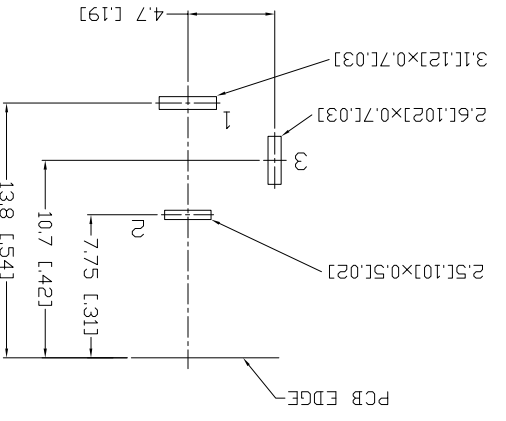
ITEM	DESC.	Q'TY	MATERIAL	TREATMENT	REMARK
6	COVER	1	THERMOPLASTIC UL 94V-0	MOLDED BLACK	
5	BACK CONTACT	1	IRON ALLOY	LEAD FREE TIN PLATED	
4	SPRING CONTACT	1	COPPER ALLOY	LEAD FREE TIN PLATED	
3	SWITCH CONTACT	1	IRON ALLOY	LEAD FREE TIN PLATED	
2	CENTER PIN	1	COPPER ALLOY	LEAD FREE TIN PLATED	
1	HOUSING	1	THERMOPLASTIC UL 94V-0	MOLDED BLACK	

X±	X±	0.38	[.015]	X±	
	.XX±	0.25	[.010]	.XX±	
.XXX±	.XXX±				
UNITS	[mm]				
MATL	N/A				
PART NO.(INTENDED USE)	JPD1030-NS21-4F				
APPD:	Adward Zheng 07/14/07				
CHKD:	Z.Q Mou 07/13/07				
DR:	Y Q Sun 07/12/07				
SCALE	1/1				
SHEET					
REV.					

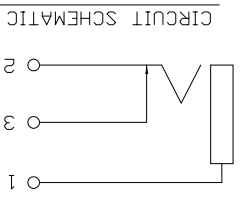
SPECIFICATION:



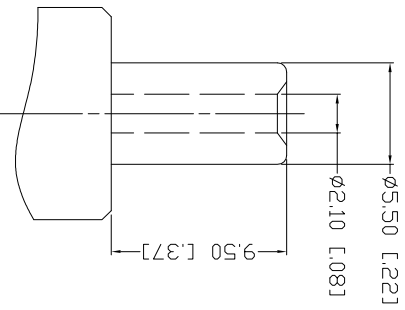
TERMINAL NUMBERS



RECOMMENDED P.C.B. LAYOUT  
COMPONENT SIDE(TOL:±0.05[.002])



PLUG DIAGRAM (TOL:±0.05[±0.002])



## X-ON Electronics

Largest Supplier of Electrical and Electronic Components

*Click to view similar products for [DC Power Connectors](#) category:*

*Click to view products by [Foxconn](#) manufacturer:*

Other Similar products are found below :

[1600206-1](#) [163-0301-EX](#) [163-0302](#) [163-0308-EX](#) [163-0310-EX](#) [163-1061-EX](#) [163-1100-EX](#) [163-4024](#) [163-4117-EX](#) [163-4118-EX](#) [163-5005-E](#) [163-7421](#) [163-MJ22-EX](#) [171-0721-EX](#) [171-0725-EX](#) [171-3118-EX](#) [171-3210-E](#) [171-3221-EX](#) [171-3222-EX](#) [171-A1326-EX](#) [173-23507-ST-EX](#) [173-5521TIP-EX](#) [173-6330TIP-EX](#) [KLDVX-SMT-02-ATR](#) [KLDX-0201-AHT-1](#) [KLDX-0202-AHT](#) [KLDX-SMT-0202-BP](#) [KLDX-SMT-0202-BPTR](#) [163-0179-EX](#) [163-0307-E](#) [163-0309-EX](#) [163-4007-EX](#) [163-4015-EX](#) [163-4025](#) [163-4119-E](#) [163-4303-E](#) [16PJ101-EX](#) [171-0702-EX](#) [171-0722-E](#) [171-0726-EX](#) [171-2122-EX](#) [171-3216-EX](#) [171-3218-EX](#) [171-3219-EX](#) [171-3220-EX](#) [171-7391](#) [173-3413-ST-EX](#) [173-4017-ST-EX](#) [RAPCBRK](#) [K596](#)