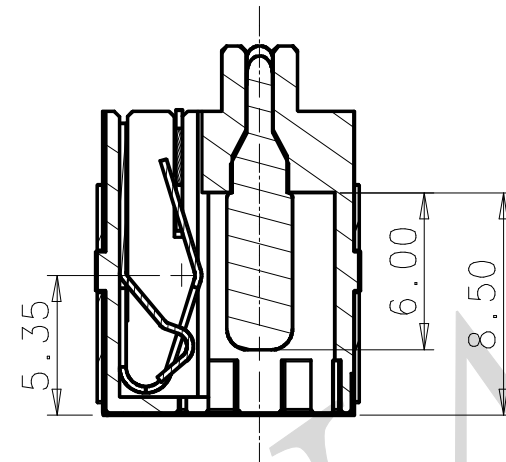
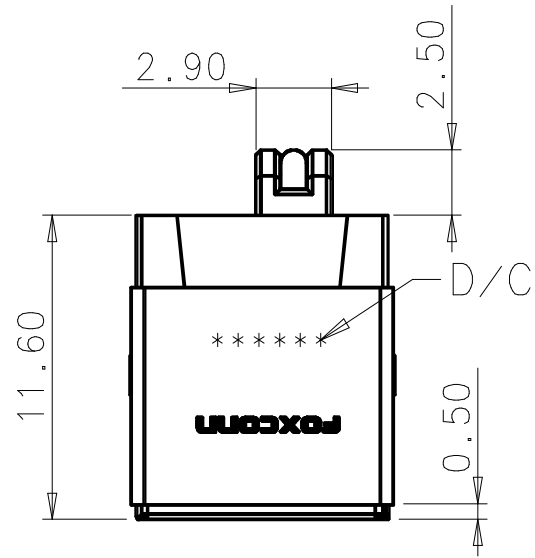


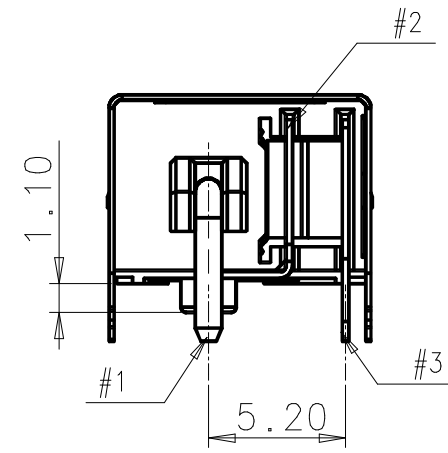
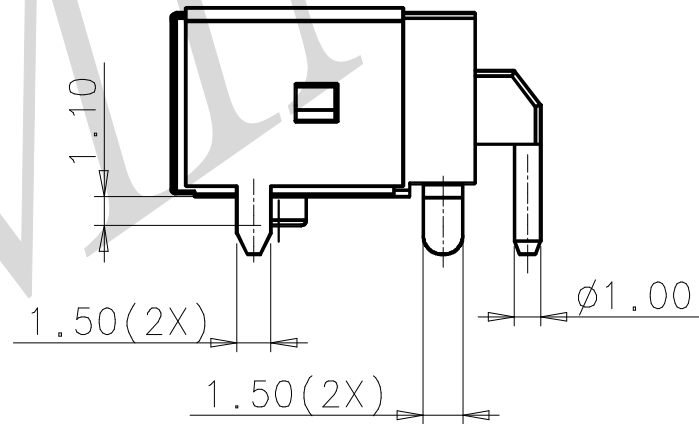
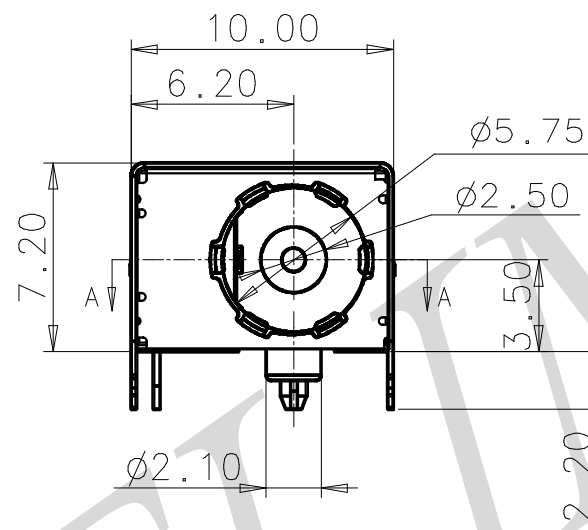
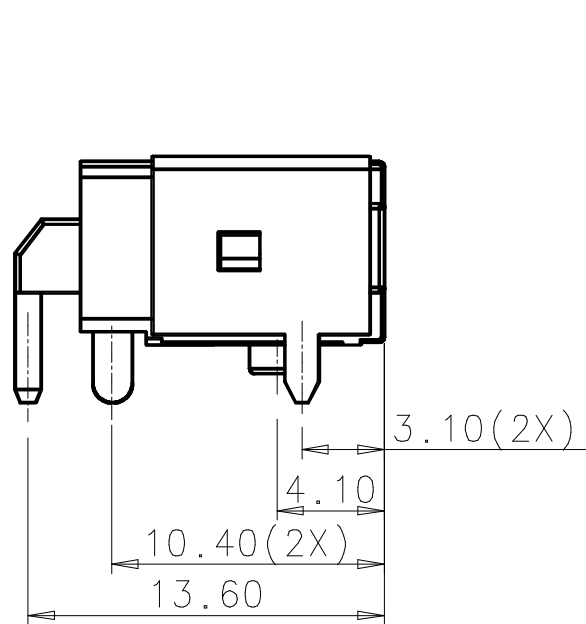
IDEAS GENERATED DRAWING, DON'T CHANGE BY HAND.

REV.	ECN. NO.	APPD.
A	BC-10-0115036	C.S.Li
B	BC-11-0073281	C.S.Li
BX1	2017-02-18	Shih-wei Hsiao
BX2	2017-04-07	Shih-wei Hsiao
BX3	2017-07-04	Shih-wei Hsiao
BX4	2017-07-13	Shih-wei Hsiao

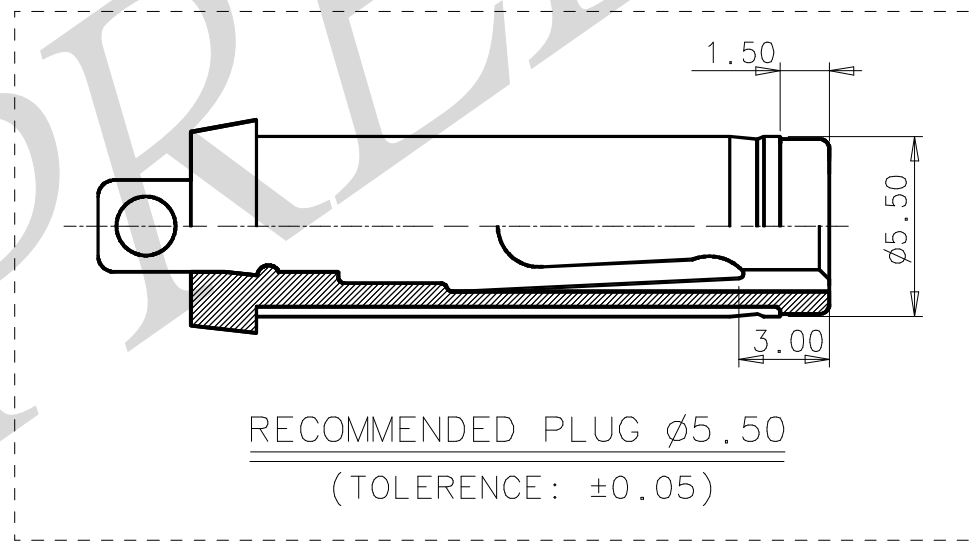


ELECTRIC CIRCUIT

SECTION A-A

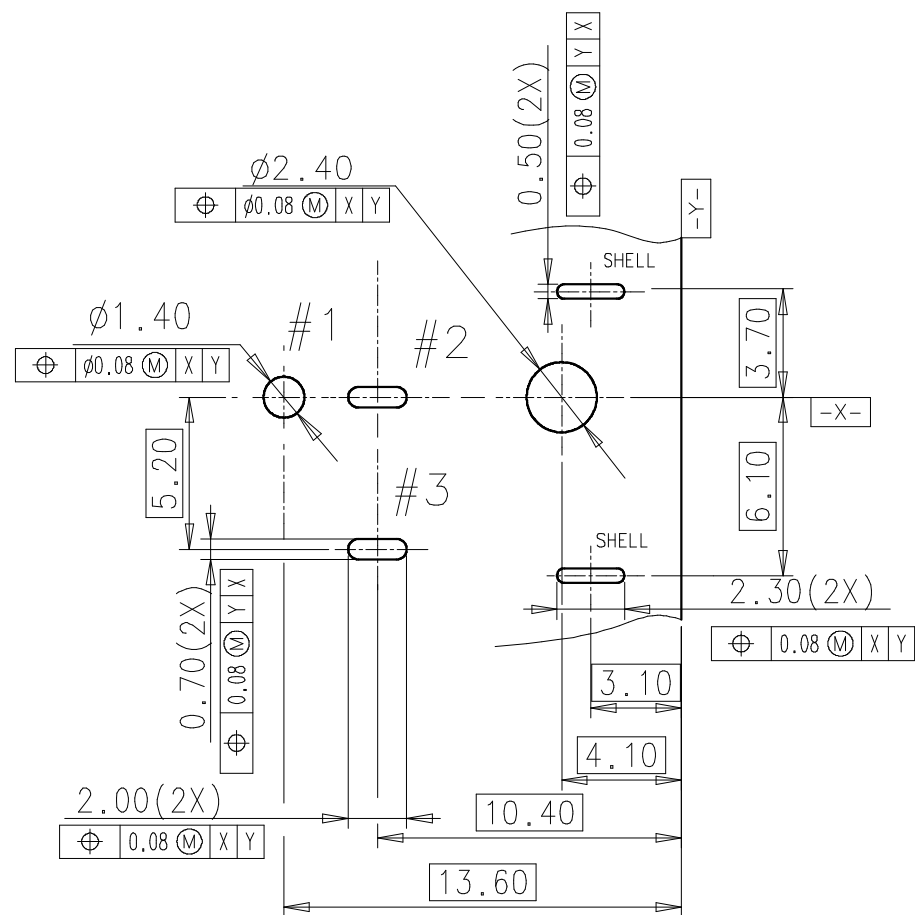


BACK VIEW



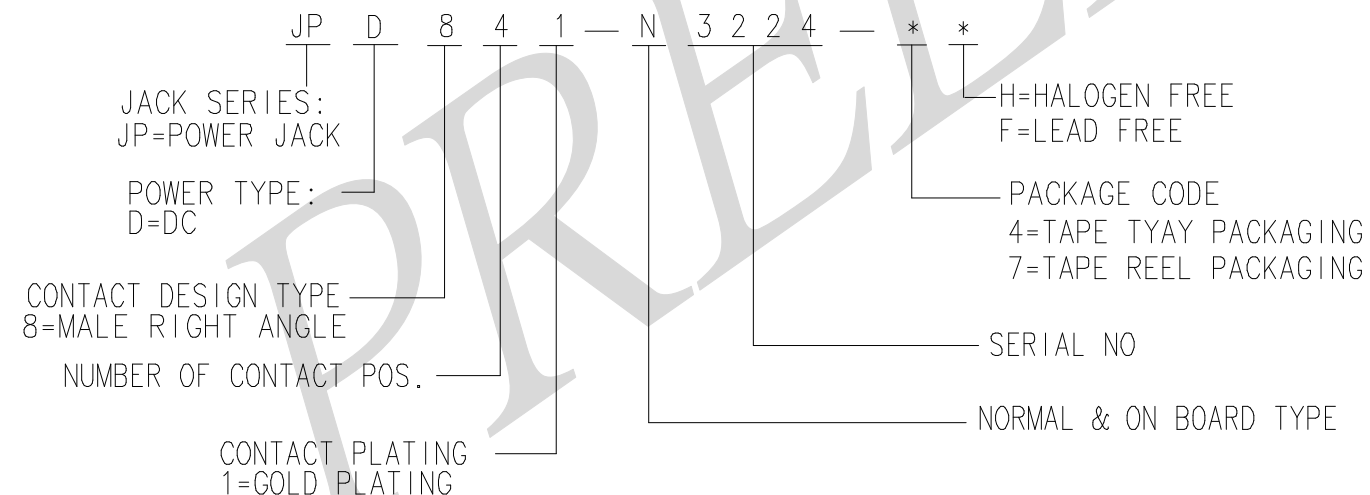
ITEM	DESC.	Q'TY	MATERIAL	REMARK
6	FRONT SHELL	1	SUS301	WASHED TREATMENT
5	SHELL	1	SUS301	BRIGHT TIN 10u" Min. ON SOLDER AREA Ni 50u" Min. UNDER PLATED OVER ALL
4	SWITCH PIN	1	C2680	GOLD FLASH ON CONTACT AREA GOLD FLASH ON SOLDER AREA Ni 50u" Min. UNDER PLATED OVER ALL
3	POWER PIN	1	C3602	GOLD FLASH ON CONTACT AREA GOLD FLASH ON SOLDER AREA Ni 50u" Min. UNDER PLATED OVER ALL
2	GROUND PIN	1	C5191	GOLD FLASH ON CONTACT AREA GOLD FLASH ON SOLDER AREA Ni 50u" Min. UNDER PLATED OVER ALL
1	HOUSING	1	PPA	UL94V-0

X.	X°.	UNITS	MM	NAME (INTENDED USE)	FOXCONN®
.X ± 0.38	.X° ±	MATERIAL		POWER JACK CONNECTOR	
.XX ± 0.25	.XX° ±			PART NO. (INTENDED USE)	CLASS: <input type="checkbox"/> CONFIDENTIAL <input type="checkbox"/> SECRET <input checked="" type="checkbox"/> GENERAL
.XXX ±	.XXX° ±	FINISH		JPD841-N3224-**	TITLE: CUSTOMER DRAWING
THESE DRAWINGS AND SPECIFICATIONS ARE THE PROPERTY OF FOXCONN INTERCONNECT TECHNOLOGY LIMITED AND SHALL NOT BE REPRODUCED, COPIED OR USED IN ANY MANNER WITHOUT THE PRIOR WRITTEN CONSENT OF FOXCONN INTERCONNECT TECHNOLOGY LIMITED.				APPD: Shih-wei Hsiao	DWG NO.: 305-0000-4545
				CHKD: Mark Wang	SCALE SHEET REV.
				DR: Peng-yeh Zhao 07/13/17	N/A 1/5 BX4



RECOMMENDED P.C.B. LAYOUT(TOP VIEW)

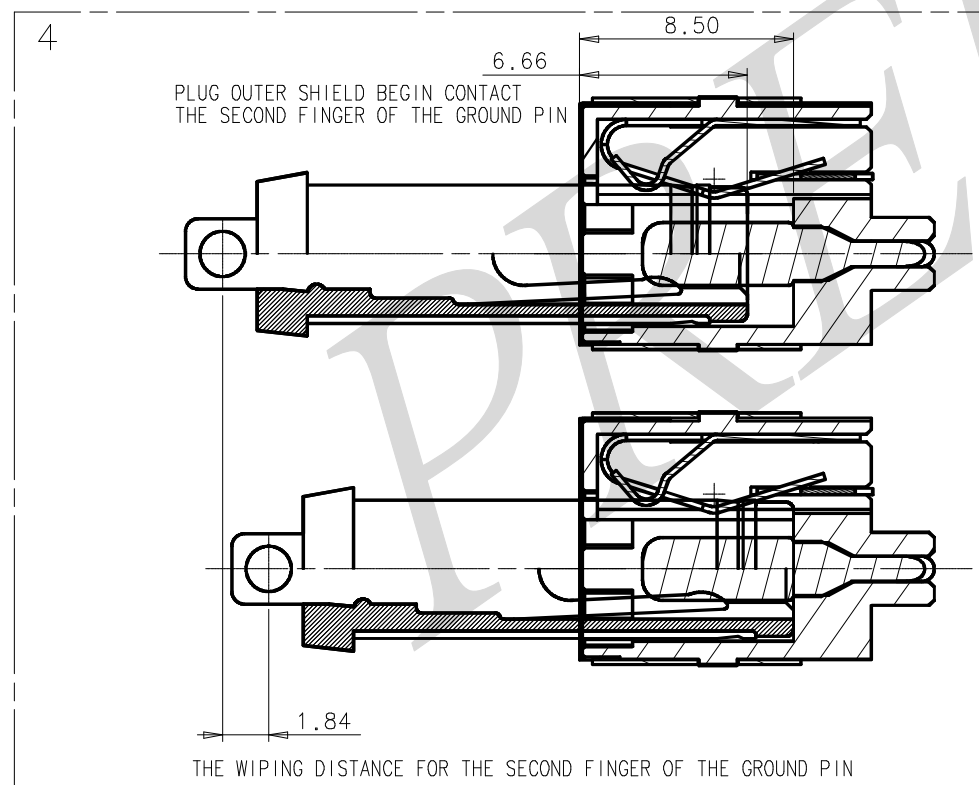
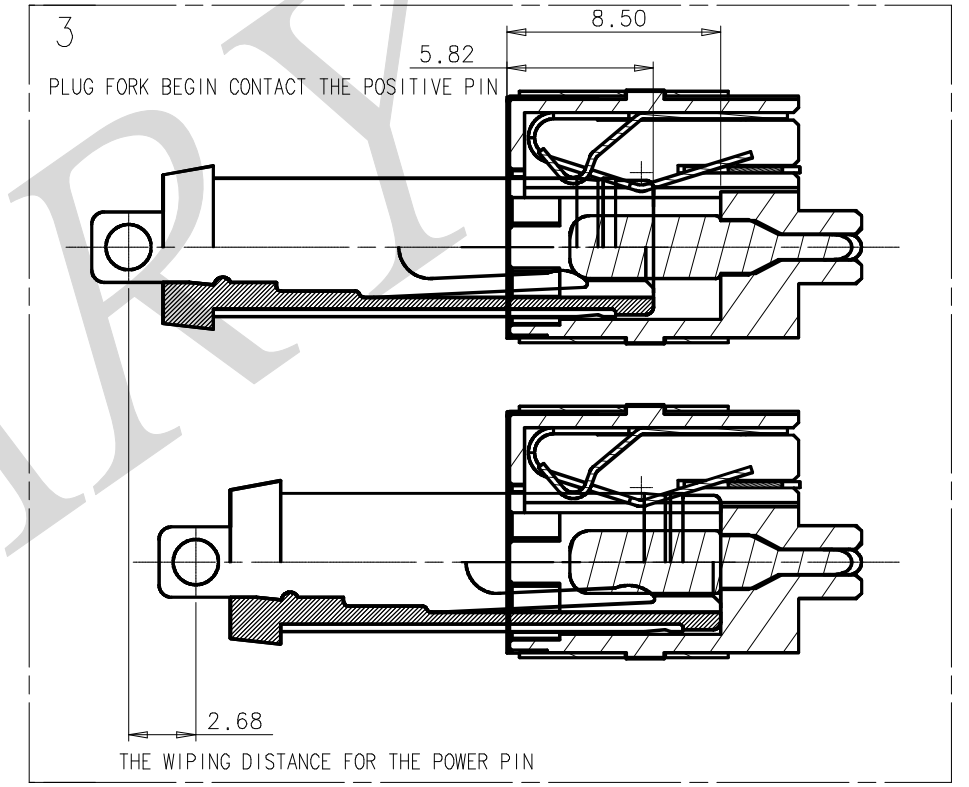
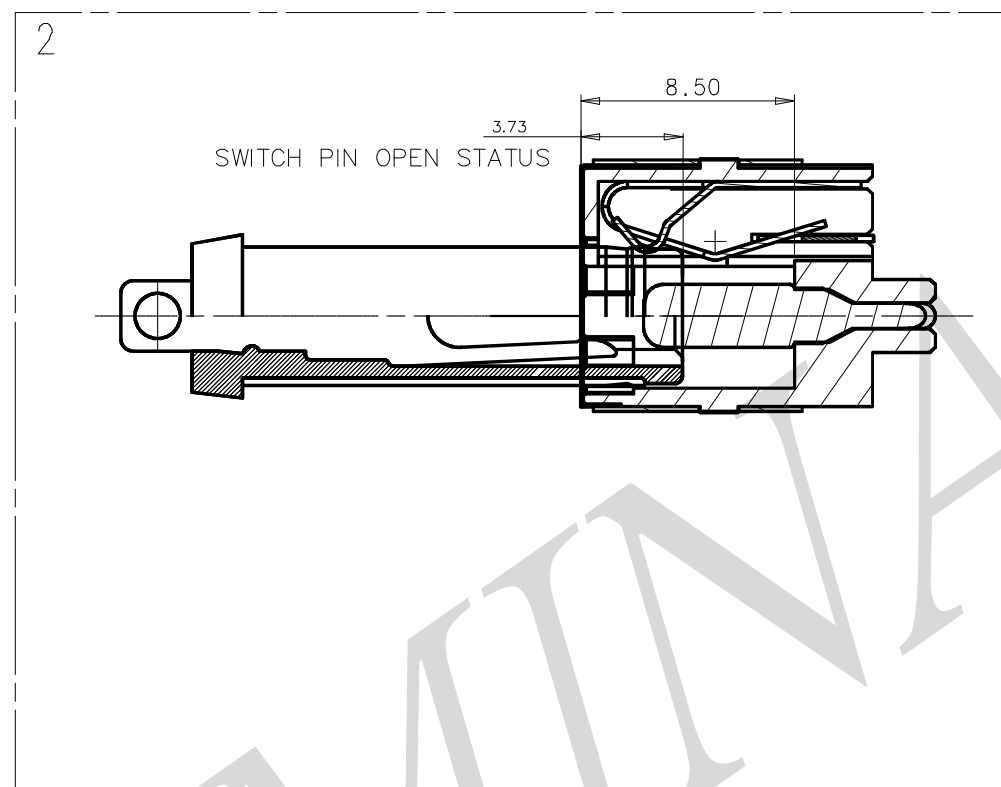
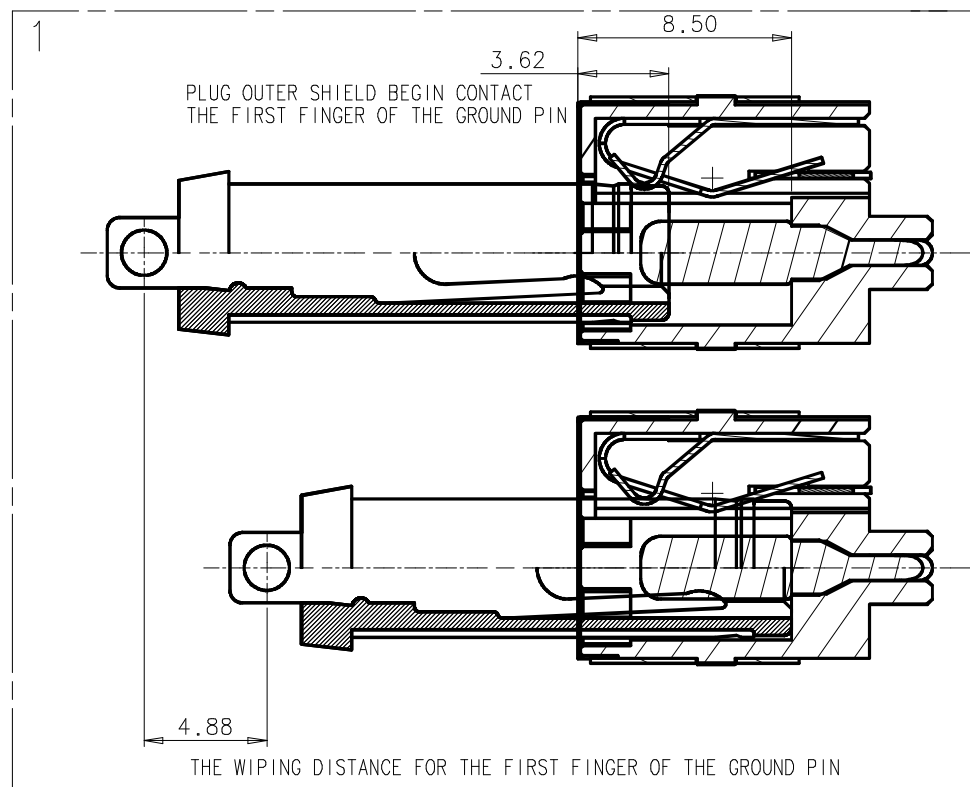
RECOMMENDED P.C.B THICKNESS: 1.2±0.05mm  
DIMENSION TOLERANCE: .XX±0.05



SPECIFICATION:

1. MATERIAL :  
HOUSING:HIGH TEMP.THERMO-PLASTIC,UL94V-0.  
GROUND CONTACT:COPPEY ALLOY.Ni+Au PLATED.  
SWITCH CONTACT:COPPEY ALLOY.Ni+Au PLATED.  
CENTER CONTACT:COPPEY ALLOY.Ni+Au PLATED.  
FRONT SHELL:METAL,WASHED.  
REAR SHELL:METAL,Ni+Sn PLATED.
2. ELECTRICAL CHARACTERISTICS:  
2.1 CONNECTOR RATED CURRENT: 7A &30°C MAX. ΔT OVER AMBIENT.  
RATED VOLTAGE: 30V AC OR 42V DC  
2.2 INSULATION RESISTANCE:  
100 MOHMS MIN. INITIAL/50 MOHMS MIN.AFTER HUMIDITY TEST  
APPLY 500V DC MATED AND UNMATED CONNECTORS.  
2.3 DIELECTRIC WITHSTANDING VOLTAGE:  
CURRENT LEAKAGE:0.50mA MAX.  
APPLY 500V AC RMS AT SEA LEVEL CONTACT TO CONTACT.  
2.4 CONTACT RESISTANCE:  
30 mOHMS MAX, AFTER 5000 CYCLES:ΔR<20 mOHMS MAX.
3. MECHANICAL CHARACTERISTICS:  
3.1 INSERTION FORCE: 4.0~30.0 N; EXTRACTION FORCE: 4.0~30.0 N.  
3.2 DURABILITY(INSERTION/EXTRACTION CYCLES): 5000 CYCLES.
4. OPERATING TEMPERATURE RANGE: -40°C~85°C.
5. HUMIDITY: 85% RH MAX.
6. P.C.B. LAYOUT DRAWING DIMMENSION: DEFAULT TOLERANCE: ±0.05mm
7. RECOMMENDED P.C.B. THICKNESS: 1.20±0.05mm
8. PLEASE CONTACT FOXCONN SALES REPRESENTATVERIFY PRODUCT DETAILS & AVAILABILITY.
9. PRODUCT USER GUIDE:  
MOISTURE SENSITIVE DEVICE MSL6-AFTER PACKING HAS BEEN OPENED 8 HOURS,PARTS MUST BE BAKED FOR MIN. 5 DAYS AT 40°C & 5% RH.
- 10.RECOMMEND STORE TIME:LESS THAN THREE MONTHS.

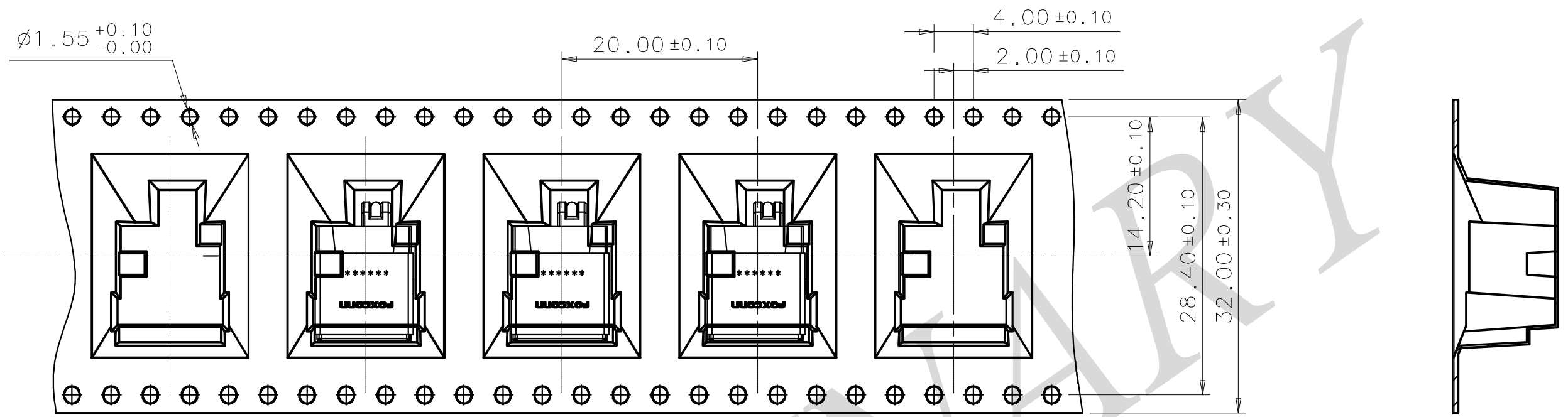
X. ±	X°. ±	UNITS MM	NAME(INTENDED USE)	<b>FOXCONN®</b> FOXCONN INTERCONNECT TECHNOLOGY LIMITED	
.X ± 0.38	.X° ±	MATERIAL	POWER JACK CONNECTOR		
.XX ± 0.25	.XX° ±	FINISH	PART NO.(INTENDED USE)	CLASS: <input type="checkbox"/> CONFIDENTIAL <input type="checkbox"/> SECRET <input checked="" type="checkbox"/> GENERAL	
.XXX±	.XXX°±		JPD841-N3224-**	TITLE: CUSTOMER DRAWING	
THESE DRAWINGS AND SPECIFICATIONS ARE THE PROPERTY OF FOXCONN INTERCONNECT TECHNOLOGY LIMITED,AND SHALL NOT BE REPRODUCED, COPIED OR USED IN ANY MANNER WITHOUT THE PRIOR WRITTEN CONSENT OF FOXCONN INTERCONNECT TECHNOLOGY LIMITED.			APPD: Shih-wei Hsiao	DWG NO.:	
			CHKD: Mark Wang	305-0000-4545	
			DR: Peng-yeh Zhao	07/13'17	
		Q'TY	SCALE	SHEET	REV.
			N/A	2/5	BX4



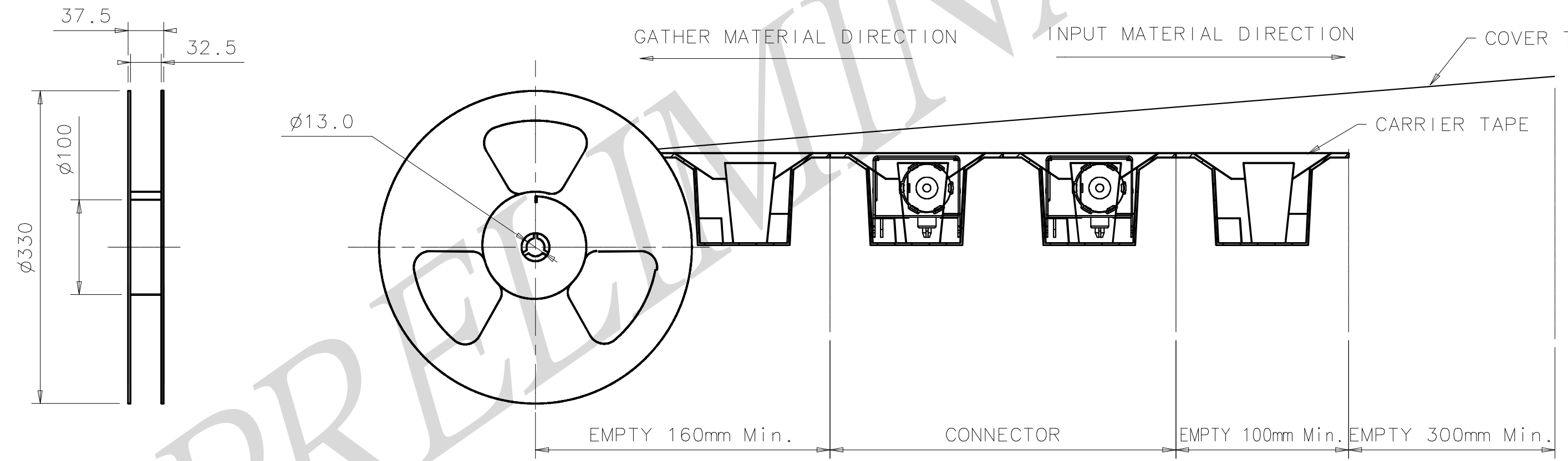
NOTES:  
 THE SEQUENCE OF CONTACT :AS PICTURE 1->2->3->4

X. ±	X° ±	UNITS	MM	NAME (INTENDED USE)	<b>FOXCONN®</b>		
.X ± 0.38	.X° ±	MATERIAL		POWER JACK CONNECTOR			
.XX ± 0.25	.XX° ±	FINISH		PART NO. (INTENDED USE)	FOXCONN INTERCONNECT TECHNOLOGY LIMITED		
.XXX ±	.XXX° ±	Q'TY		JPD841-N3224-**	CLASS: <input type="checkbox"/> CONFIDENTIAL <input type="checkbox"/> SECRET <input checked="" type="checkbox"/> GENERAL		
THESE DRAWINGS AND SPECIFICATIONS ARE THE PROPERTY OF FOXCONN INTERCONNECT TECHNOLOGY LIMITED, AND SHALL NOT BE REPRODUCED, COPIED OR USED IN ANY MANNER WITHOUT THE PRIOR WRITTEN CONSENT OF FOXCONN INTERCONNECT TECHNOLOGY LIMITED.				APPD: Shih-wei Hsiao	TITLE: CUSTOMER DRAWING		
				CHKD: Mark Wang	DWG NO.:	305-0000-4545	
				DR: Peng-yeh Zhao 07/13'17	SCALE	SHEET	REV.
					N/A	3/5	BX4

IDEAS GENERATED DRAWING, DON'T CHANGE BY HAND.



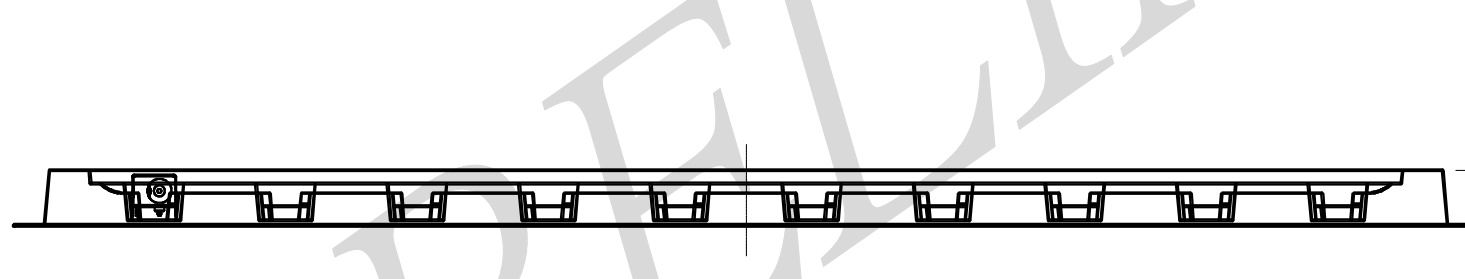
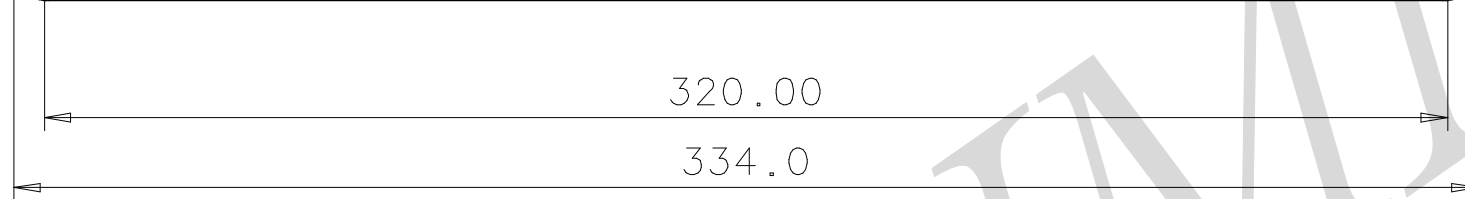
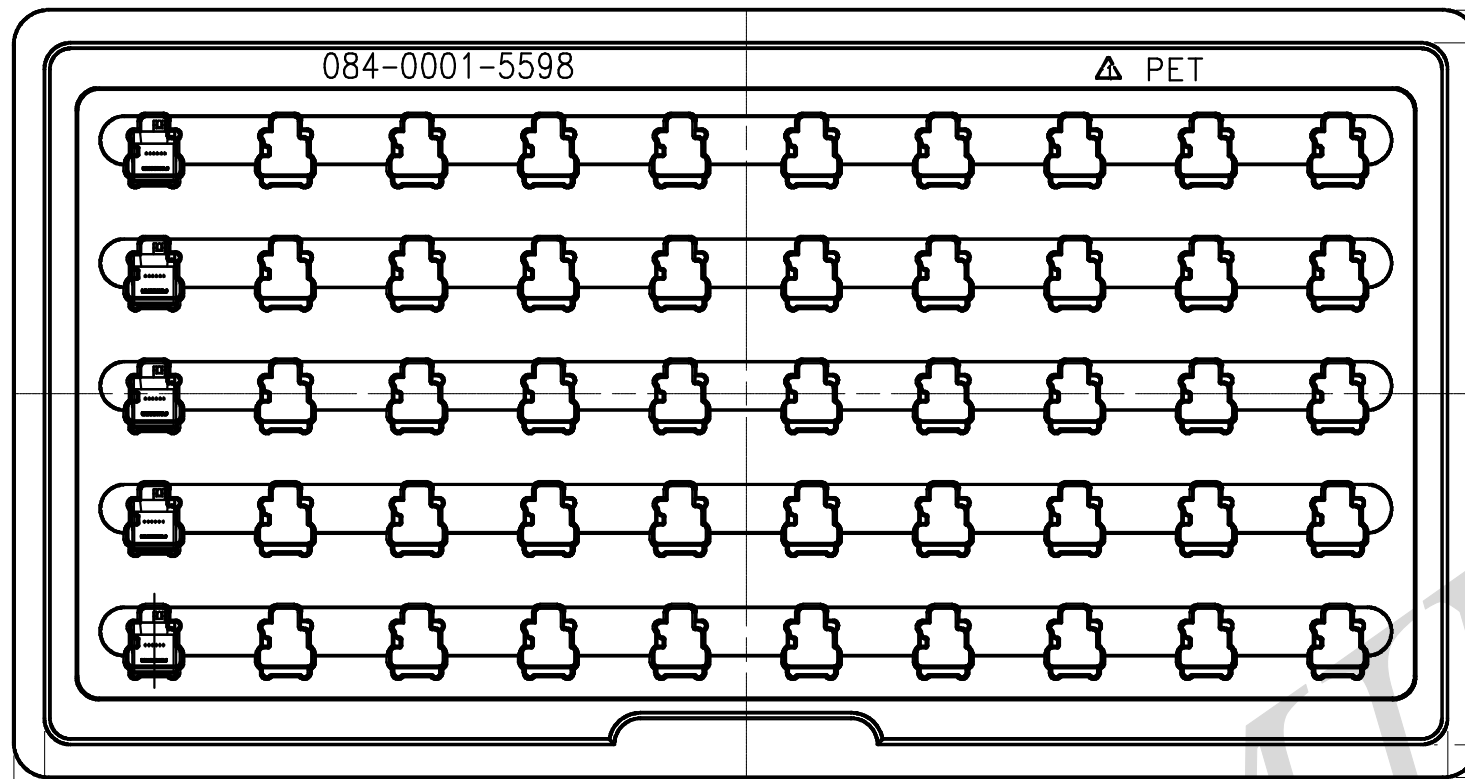
GATHER MATERIAL DIRECTION ← INPUT MATERIAL DIRECTION → COVER TAPE



P/N	PCS/REEL	REEL/BOX	PCS/BOX
JPD841-N3224-7*	250	8	2000

X. ±	X°. ±	UNITS	MM	NAME (INTENDED USE)	<b>FOXCONN®</b> FOXCONN INTERCONNECT TECHNOLOGY LIMITED
.X ±	.X° ±	MATERIAL		POWER JACK CONNECTOR	
.XX ±	.XX° ±			PART NO. (INTENDED USE)	CLASS: <input type="checkbox"/> CONFIDENTIAL <input type="checkbox"/> SECRET <input checked="" type="checkbox"/> GENERAL
.XXX ±	.XXX° ±	FINISH		JPD841-N3224-**	TITLE: CUSTOMER DRAWING
<small>THESE DRAWINGS AND SPECIFICATIONS ARE THE PROPERTY OF FOXCONN INTERCONNECT TECHNOLOGY LIMITED, AND SHALL NOT BE REPRODUCED, COPIED OR USED IN ANY MANNER WITHOUT THE PRIOR WRITTEN CONSENT OF FOXCONN INTERCONNECT TECHNOLOGY LIMITED.</small>				APPD: Shih-wei Hsiao	DWG NO.:
				CHKD: Mark Wang	305-0000-4545
				DR: Peng-yeh Zhao 07/13'17	
				Q'TY	SCALE SHEET REV.
					N/A 4/5 BX4

IDEAS GENERATED DRAWING, DON'T CHANGE BY HAND.



P/N	PCS/TRAY	TRAY/BOX	PCS/BOX
JPD841-N3224-4*	50	40	2000

X. ±	X° ±	UNITS	NAME (INTENDED USE)	<b>FOXCONN®</b> FOXCONN INTERCONNECT TECHNOLOGY LIMITED CLASS: <input type="checkbox"/> CONFIDENTIAL <input type="checkbox"/> SECRET <input checked="" type="checkbox"/> GENERAL
.X ±	.X° ±	MM	POWER JACK CONNECTOR	
.XX ±	.XX° ±	MATERIAL	PART NO. (INTENDED USE)	TITLE: CUSTOMER DRAWING
.XXX ±	.XXX° ±	FINISH	JPD841-N3224-**	DWG NO.: 305-0000-4545
THESE DRAWINGS AND SPECIFICATIONS ARE THE PROPERTY OF FOXCONN INTERCONNECT TECHNOLOGY LIMITED AND SHALL NOT BE REPRODUCED, COPIED OR USED IN ANY MANNER WITHOUT THE PRIOR WRITTEN CONSENT OF FOXCONN INTERCONNECT TECHNOLOGY LIMITED.			APPD: Shih-wei Hsiao	SCALE
			CHKD: Mark Wang	SHEET
			DR: Peng-yeh Zhao 07/13'17	REV.
				N/A
				5/5
				BX4

## X-ON Electronics

Largest Supplier of Electrical and Electronic Components

*Click to view similar products for [DC Power Connectors](#) category:*

*Click to view products by [Foxconn](#) manufacturer:*

Other Similar products are found below :

[KLDX-SMT-0202-BPTR](#) [171-0722-E](#) [K596](#) [KLD-0201-BC](#) [4C6831AX](#) [10073976-112LF](#) [LCB60PW-M](#) [LCB30PW-M](#) [LCB60PB-M](#)  
[LCC30PB-M](#) [LCB50PW-M](#) [LCB50-M](#) [LCB60-F](#) [LCC30-M](#) [LCB40PW-M](#) [LCC30PW-M](#) [LCB50-F](#) [LCB40-F](#) [LCB30-F](#) [LCC40-M](#)  
[LCC40PB-M](#) [LCB40PB-M](#) [LCC40-F](#) [LCB60-M](#) [LCC40PW-M](#) [LCB50PB-M](#) [DC-002-100](#) [DC-031A-130](#) [DC-031A-100](#) [DC-003A-130](#)  
[DC-045-130](#) [DC-192-130](#) [DC-033-130](#) [DC-011-100](#) [DC-002F-130](#) [DC-002-130](#) [DB-14-2F](#) [DC-183B](#) [DC-060-04A](#) [DC-099-200](#) [DC-005A-](#)  
[200](#) [DC-088-200](#) [DC-022A-200](#) [DC-038-150](#) [DC-012A-250](#) [DC-005C-130](#) [DC-098-200](#) [DC-013-200](#) [DC550250-1047-2H](#) [DC550250-](#)  
[1046-2H](#)