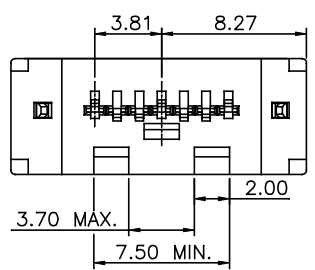
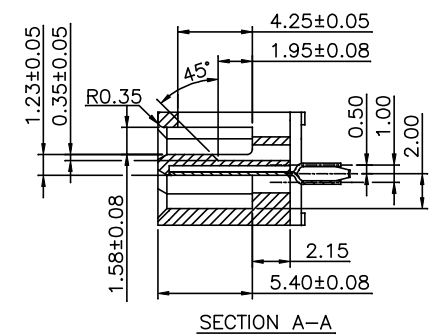
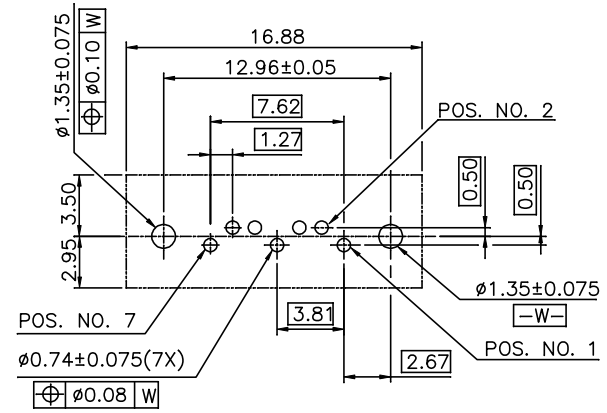
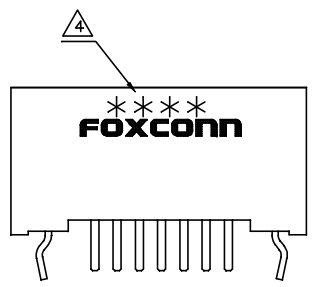
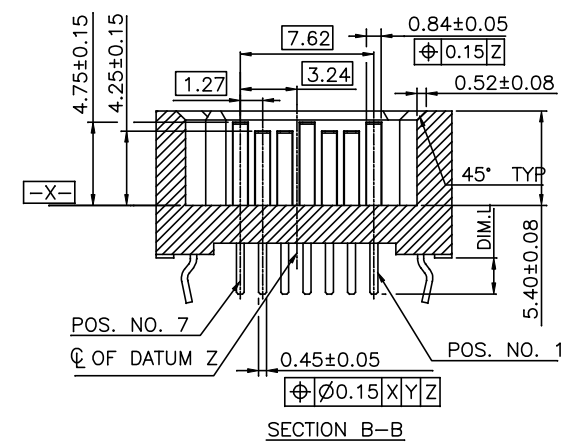
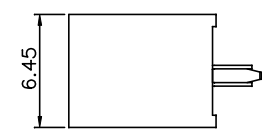
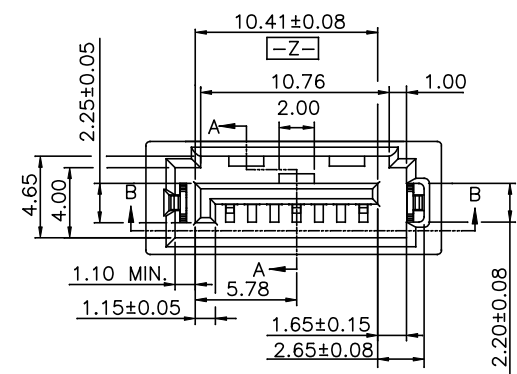
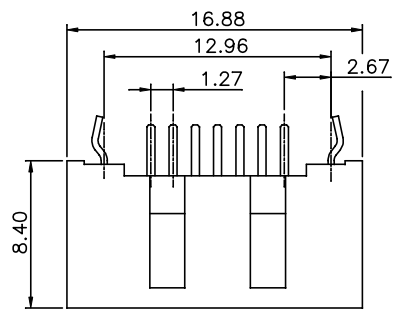


| | | |
|------|--------------|----------------|
| REV. | ECN. No. | APPD. |
| A | BC077069800 | Yusan |
| B | BC-17-006351 | Shih-wei Hsiao |

- NOTES:
- DIMENSIONS SHALL BE INTERPRETED PER ASME Y14.5M-1994.
 - SPEC. OF PROD. ARE SHOWN ON DRAWING 303-0300-1995.
 - MATERIALS OF PARTS ARE SHOWN ON SHEET 303-0500-1995.
 - DATE CODE: PLEASE REFER TO FOXCONN DOC. "SQ-3B0-070".
 - PRODUCT NO. MATRIX : SEE MATERIAL SHEET 303-0500-1995.
 - HARMFUL MATERIALS CONTROL PLEASE FOLLOW FOXCONN'S DOC. "EPI12".
 - PLEASE CONTACT FOXCONN SALES REPRESENTATIVE TO VERIFY PRODUCT DETAILS & AVAILABILITY.

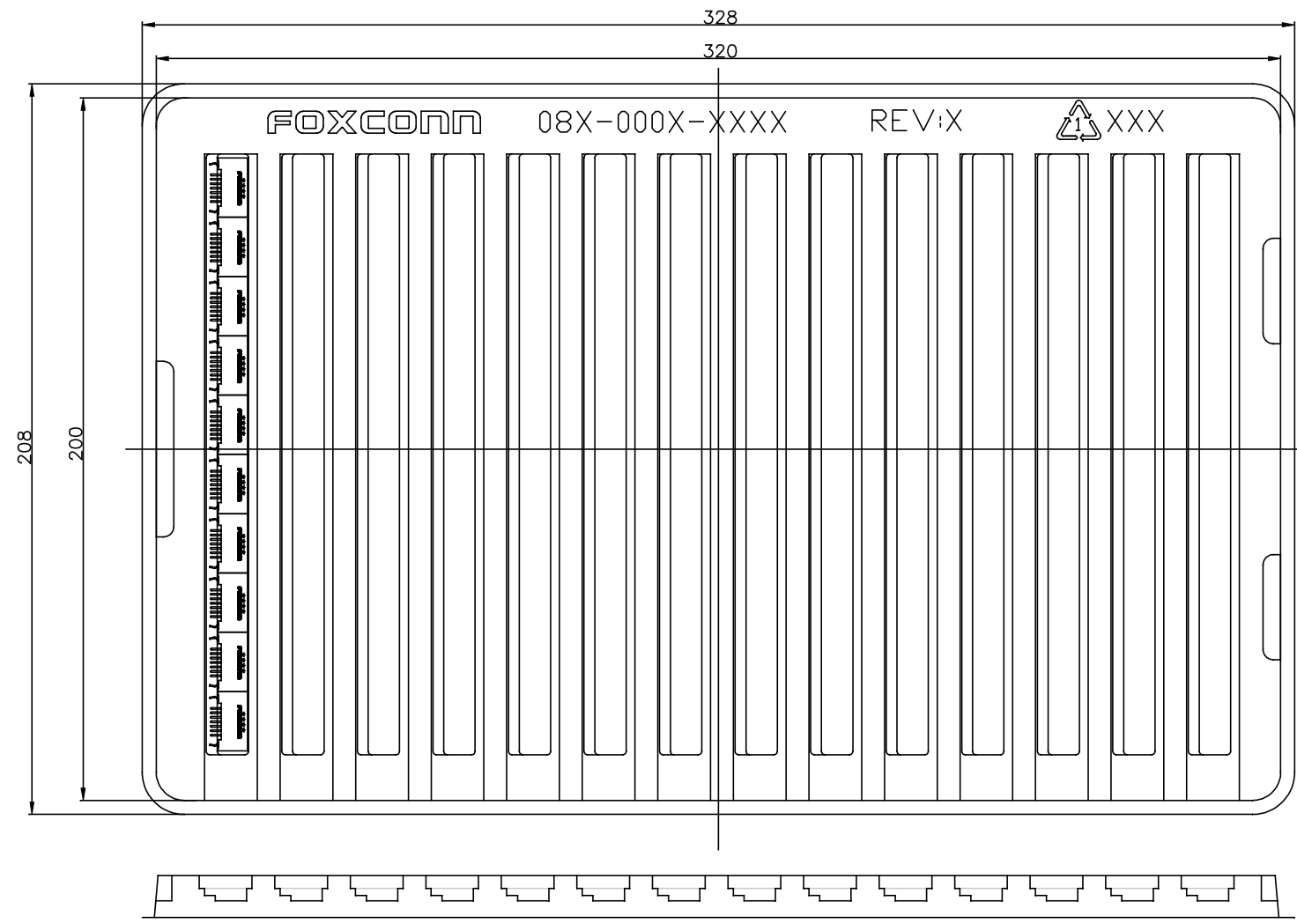


| PART NO. | DIM.L |
|----------------|-------|
| LD1807*-S54** | 2.45 |
| LD1807*-S54**C | 3.25 |
| LD1807*-S54**D | 2.05 |

| | | | | |
|--|---------|----------|------------------------|--|
| X.± | X'.± 1° | UNITS mm | NAME(INTENDED USE) | FOXCONN® FOXCONN INTERCONNECT TECHNOLOGY LIMITED. CLASS: <input type="checkbox"/> CONFIDENTIAL <input type="checkbox"/> SECRET <input checked="" type="checkbox"/> GENERAL TITLE: CUSTOMER DRAWING DWG NO.: 303-0000-1995 |
| .X± 0.25 | .X'± | MAT'L | SERIAL ATA | |
| .XX± 0.20 | .XX'± | | PART NO.(INTENDED USE) | |
| .XXX± 0.15 | .XXX'± | FINISH | LD1807*-S54*** | |
| THESE DRAWINGS AND SPECIFICATIONS ARE THE PROPERTY OF FOXCONN INTERCONNECT TECHNOLOGY LIMITED. AND SHALL NOT BE REPRODUCED, COPIED OR USED IN ANY MANNER WITHOUT THE PRIOR WRITTEN CONSENT OF FOXCONN INTERCONNECT TECHNOLOGY LIMITED. | | | APPD: Shih-wei Hsiao | |
| | | Q'TY | CHKD: Yen-chih, Chang | SCALE SHEET REV. |
| | | | DR: Meng Liu 03/31'17 | N/A 1/2 B |

P/N LD1807*-S54***

| | | |
|------|----------|-------|
| REV. | ECN. No. | APPD. |
| | | |



| | | | | |
|--|---------|----------|------------------------|---|
| X.± | X°.± 1° | UNITS mm | NAME(INTENDED USE) | FOXCONN® FOXCONN INTERCONNECT TECHNOLOGY LIMITED. |
| .X± 0.25 | .X°± | MAT'L | SERIAL ATA | |
| .XX± 0.20 | .XX°± | FINISH | PART NO.(INTENDED USE) | CLASS: <input type="checkbox"/> CONFIDENTIAL <input type="checkbox"/> SECRET <input checked="" type="checkbox"/> GENERAL |
| .XXX± 0.15 | .XXX°± | | LD1807*-S54*** | TITLE: CUSTOMER DRAWING |
| THESE DRAWINGS AND SPECIFICATIONS ARE THE PROPERTY OF FOXCONN INTERCONNECT TECHNOLOGY LIMITED. AND SHALL NOT BE REPRODUCED, COPIED OR USED IN ANY MANNER WITHOUT THE PRIOR WRITTEN CONSENT OF FOXCONN INTERCONNECT TECHNOLOGY LIMITED. | | | APPD: Shih-wei Hsiao | DWG NO.: 303-0000-1995 |
| | | | CHKD: Yen-chih, Chang | |
| | | | DR: Meng Liu 03/31'17 | |
| | | | | SCALE SHEET REV. |
| | | | N/A | 1/1 B |

COPPER ALLOY, NICKEL UNDER PLATING OVER ALL, THICKNESS 50u" MIN. ,
 TIN PLATING OVER NICKEL, THICKNESS 100u"MIN. ON SOLDER AREA,
 GOLD PLATING OVER NICKEL ON CONTACT AREA,

1-4. BOARD LOCK :
 COPPER ALLOY, NICKEL UNDER PLATING OVER ALL, THICKNESS 50u" MIN. ,
 TIN PLATING OVER ALL, THICKNESS 100u"MIN. .

1-5. HARMFUL MATERIAL CONTROL PLEASE FOLLOW DOC. EPI12.

2. PERFORMANCE :

2-1. CURRENT RATING : 1.5 Amps MAX. PER PIN.
 2-2. OPERATING TEMPERATURE : -55°C TO +105°C.

3. ELECTRICAL :

3-1. LOW LEVEL CONTACT RESISTANCE(DRY CIRCUIT) : 30 MILLIOHMS MAX. INITIAL.
 3-2. DIELECTRIC WITHSTANDING VOLTAGE : 500 VAC. AT SEA LEVEL.
 3-3. INSULATION RESISTANCE : 1000 MEGAOHMS MIN. INITIAL.

4. MECHANICAL :

4-1. INSERTION FORCE: EIA-364-13, 45N MAX. .
 4-2. REMOVAL FORCE: EIA-364-13, 10N MIN. .
 4-3. DURABILITY: 50 CYCLES

5. ENVIRONMENTAL :

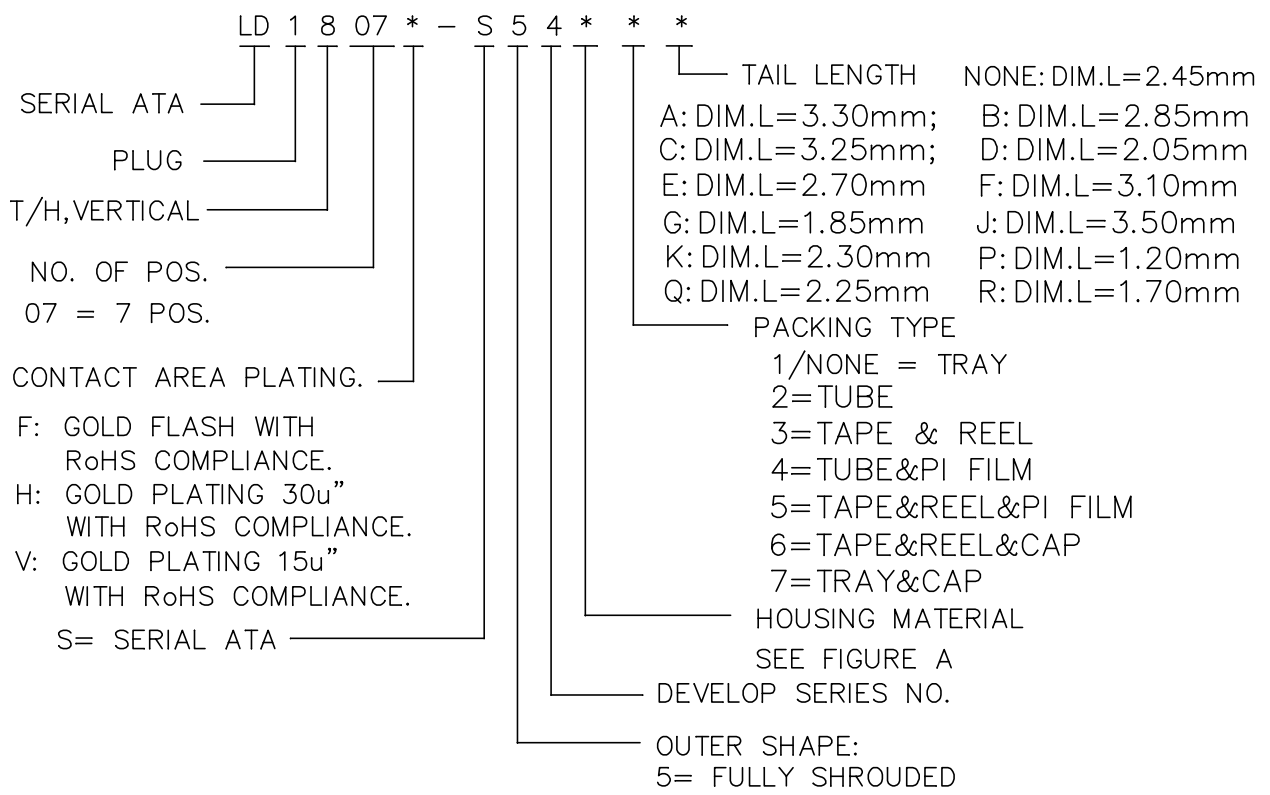
5-1. PHYSICAL SHOCK: PASS EIA-364-27, CONDITION H.
 5-2. VIBRATION: PASS EIA-364-28, CONDITION V TEST LETTER A.
 5-3. HUMIDITY: PASS EIA-364-31, METHOD II TEST CONDITION A.

| | | | | | | | |
|---|---------|----------|--|--|--------------|--------------|-----------|
| X.± | X.° ± | UNITS mm | NAME(INTENDED USE) SATA | FOXCONN® FOXCONN INTERCONNECT TECHNOLOGY LIMITED. | | | |
| .X± | .X° ± | MAT'L | PART NO.(INTENDED USE) LD1807*-S54*** | CLASS: <input type="checkbox"/> CONFIDENTIAL <input type="checkbox"/> SECRET <input type="checkbox"/> GENERAL | | | |
| .XX± | .XX° ± | | APPD: Shih-wei Hsiao | TITLE: SPECIFICATION, 7 POS. | | | |
| .XXX± | .XXX° ± | FINISH | CHKD: Yen-chih.Chang | DWG NO.: 303-0300-1995 | | | |
| THESE DRAWINGS AND SPECIFICATIONS ARE THE PROPERTY OF FOXCONN INTERCONNECT TECHNOLOGY LIMITED. AND SHALL NOTBE REPRODUCED, COPIED OR USED IN ANY MANNER WITHOUT THE PRIOR WRITTEN CONSENT OF FOXCONN INTERCONNECT TECHNOLOGY LIMITED. | | Q'TY | DRAW: Meng Liu 03/31'17 | | SCALE N/A | SHEET 1/1 | REV. B |

CONTACT AREA(SEE NOTES BELOW).

| | | | | |
|---|------------|---|--------------|---|
| 3 | BOARD LOCK | 2 | COPPER ALLOY | <p>A) NICKEL PLATING OVER ALL THICKNESS : 50 u" MIN. .</p> <p>B) TIN PLATING OVER NICKEL. THICKNESS : 100 u" MIN. .</p> |
|---|------------|---|--------------|---|

NOTE : 1.HARMFUL MATERIAL CONTROL PLEASE FOLLOW FOXCONN'S DOC. "EPI12".
 2.PLEASE CONTACT FOXCONN SALES REPRESENTATIVE TO VERIFY PRODUCT DETAILS & AVAILABILITY.
 3.PRODUCT NO. MATRIX:



| | | | | | | | | |
|---|--------|----------|------------------------|--|--|-------|-------|------|
| X.± | X.*± | UNITS mm | NAME(INTENDED USE) | FOXCONN® | | | | |
| .X± | .X*± | MAT'L | SATA | FOXCONN INTERCONNECT TECHNOLOGY LIMITED. | | | | |
| .XX± | .XX*± | | PART NO.(INTENDED USE) | CLASS: <input type="checkbox"/> CONFIDENTIAL <input type="checkbox"/> SECRET <input type="checkbox"/> GENERAL | | | | |
| .XXX± | .XXX*± | FINISH | LD1807*-S54*** | TITLE: MATERIAL SHEET | | | | |
| THESE DRAWINGS AND SPECIFICATIONS ARE THE PROPERTY OF FOXCONN INTERCONNECT TECHNOLOGY LIMITED. AND SHALL NOTBE REPRODUCED, COPIED OR USED IN ANY MANNER WITHOUT THE PRIOR WRITTEN CONSENT OF FOXCONN INTERCONNECT TECHNOLOGY LIMITED. | | | APPD: Shih-wei Hsiao | DWG NO.: 303-0500-1995 | | | | |
| | | | Q'TY | CHKD: Yen-chih.Chang | | SCALE | SHEET | REV. |
| | | | | DRAW: Meng Liu 03/31'17 | | N/A | 1/2 | E |

7 = PA66, COLOR ORANGE
 8 = PA66, COLOR LIGHT GRAY
 9 = PA9T, COLOR BLACK
 A = PA66, COLOR BLACK
 B = PBT, COLOR BLUE
 C = PA66, COLOR WHITE
 D = HIGH TEMPERATURE NYLON,
 COLOR IVORY
 E = HIGH TEMPERATURE NYLON,
 COLOR BLUE
 F = LCP, COLOR WHITE
 G = PA66, COLOR LIGHT BLUE
 H = HIGH TEMPERATURE NYLON,
 COLOR YELLOW

P = PBT,COLOR BLACK
 Q = PA66, COLOR ORANGE
 R = HIGH TEMPERATURE NYLON,
 COLOR RED
 S = PA66, COLOR ORANGE
 T = HIGH TEMPERATURE NYLON,
 COLOR BLACK
 U = HIGH TEMPERATURE NYLON,
 COLOR BLUE
 V = HIGH TEMPERATURE NYLON,
 COLOR BLACK
 W = PBT, COLOR WHITE
 Y = PA66,COLOR BEIGE
 Z = PA66,COLOR BLUE

4. THE CONCENTRATIONS OF BR&CL CAN SATISY THE REQUIREMENTS
 OF HALOGEN FREE IN DOCUMENT "EPI12".

| | | | | | | | |
|---|---------|----------|--|--|-------|-------|------|
| X.± | X.° ± | UNITS mm | NAME(INTENDED USE) SATA | FOXCONN® FOXCONN INTERCONNECT TECHNOLOGY LIMITED. | | | |
| .X± | .X° ± | MAT'L | PART NO.(INTENDED USE) LD1807*—S54*** | CLASS: <input type="checkbox"/> CONFIDENTIAL <input type="checkbox"/> SECRET <input type="checkbox"/> GENERAL | | | |
| .XX± | .XX° ± | | | TITLE: MATERIAL SHEET | | | |
| .XXX± | .XXX° ± | FINISH | APPD: Shih—wei Hsiao | DWG NO.: 303—0500—1995 | | | |
| THESE DRAWINGS AND SPECIFICATIONS ARE THE PROPERTY OF FOXCONN INTERCONNECT TECHNOLOGY LIMITED. AND SHALL NOTBE REPRODUCED, COPIED OR USED IN ANY MANNER WITHOUT THE PRIOR WRITTEN CONSENT OF FOXCONN INTERCONNECT TECHNOLOGY LIMITED. | | Q'TY | CHKD: Yen—chih.Chang |  | SCALE | SHEET | REV. |
| | | | DRAW: Meng Liu 03/31'17 | | N/A | 2/2 | E |

X-ON Electronics

Largest Supplier of Electrical and Electronic Components

Click to view similar products for [Headers & Wire Housings](#) category:

Click to view products by [Foxconn](#) manufacturer:

Other Similar products are found below :

[95000-104TRLF](#) [10135584-644402LF](#) [DF62W-EP2022PCA](#) [95000-106TRLF](#) [DF62W-2022SCA](#) [DF62W-EP2022PC](#) [2203348](#) [DF62W-2022SC](#) [1084018](#) [1029039](#) [1084017](#) [802-10-012-10-002000](#) [1112640](#) [1112639](#) [891-007-9SS-BST1T](#) [000-34000](#) [0008550134](#) [0009482033](#) [0009507031](#) [57102-F02-18ULF](#) [57102-S06-03LF](#) [57202-S52-04LF](#) [PCN6-15S-2.5E](#) [0039019024](#) [58102-G61-06LF](#) [582553-1](#) [0009485154](#) [0009508121](#) [0022285053](#) [0050291907](#) [018731A](#) [LY20-4P-DT1-P1E-BR](#) [02.125.8002.8](#) [60101931](#) [60598-1 \(Cut Strip\)](#) [M1625-3R/100](#) [61062-3](#) [61082-181009](#) [CSU011177004](#) [636-1427](#) [638009-1](#) [641938-9](#) [641991-4](#) [644168-1](#) [644827-2](#) [647662-1](#) [65039-019ELF](#) [65692-001LF](#) [65781-018](#) [65781-047](#)