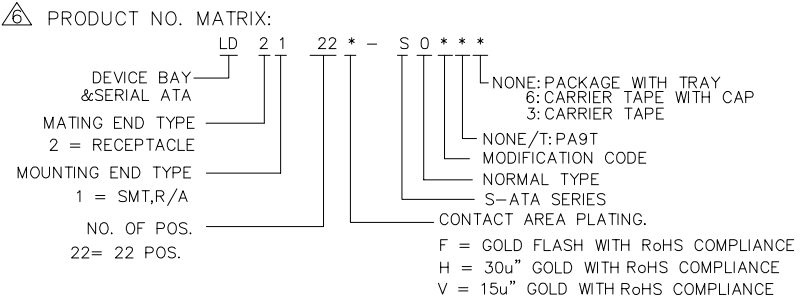
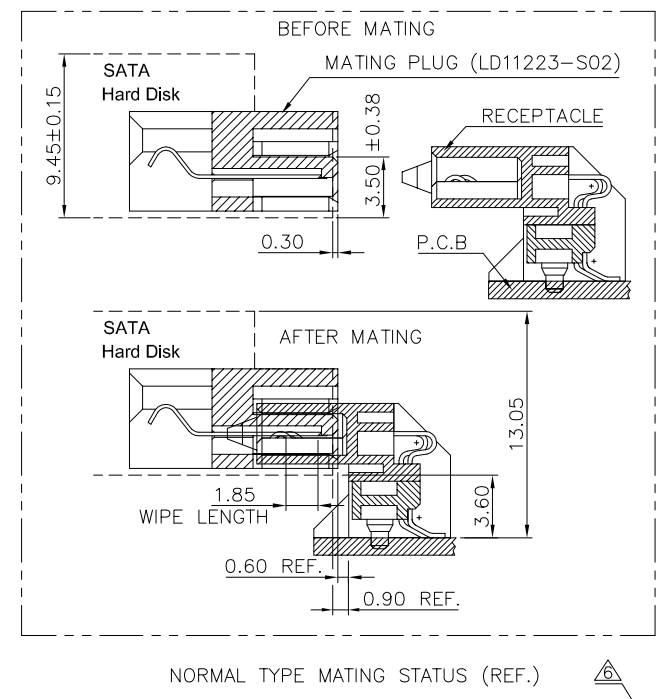


- NOTES:
1. DIMENSION SHALL BE INTERPRETED PER ANSI Y14.5M-1994
  2. ALL DIMENSIONS ARE MILLIMETERS.
  3. SPEC. OF PROD. ARE SHOWN ON DRAWING 303-0300-1207
  4. MATERIALS OF PARTS ARE SHOWN ON DRAWING 303-0500-1207
  5. DATE CODE: PLEASE REFER TO FOXCONN'S DOC. "EB2-YY00-039".
  6. PRODUCT NO. MATRIX:



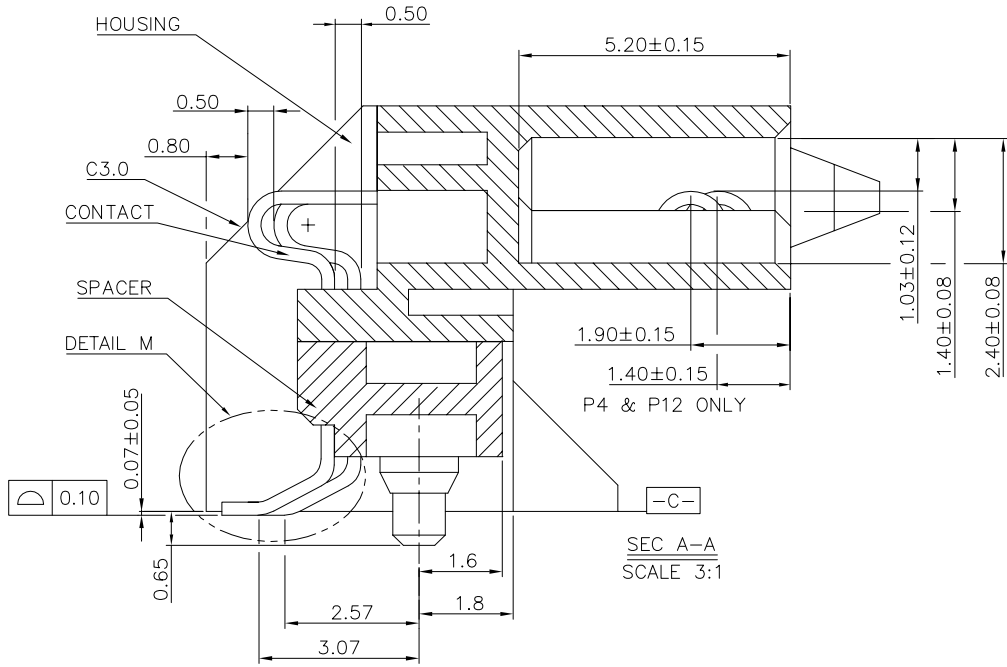
7. HARMFUL MATERIALS CONTROL PLEASE FOLLOW FOXCONN'S DOC. NO."EPI12"



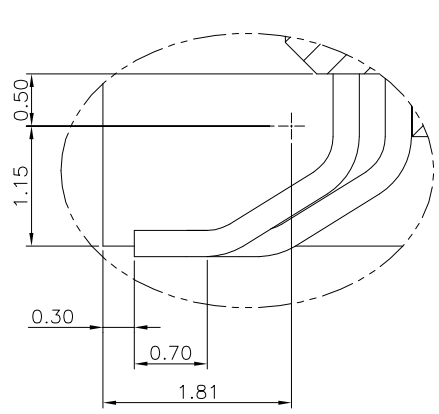
REV.	ECN. NO.	APPD.
A	HC0411432	Ady Zhou_12/14/04
B	HC050785	Ady Zhou_1/31/05
C	HC053013	Ady Zhou_5/11/05
D	HC055421	YuSan_6/15/05

X±	X* ± 1*	UNITS	mm	NAME(INTENDED USE)	FOXCONN HON HAI PRECISION IND. CO.,LTD. TAIPEI, TAIWAN, R.O.C.
.X± 0.30	.X* ±	MAT'L		SERIAL ATA	
.XX± 0.20	.XX* ±			PART NO.(INTENDED USE)	TITLE: CUSTOMER DRAWING
.XXX± 0.15	.XXX* ±	FINISH		LD21 SERIES	NORMAL RECEPTACLE,R/A,SMT
				APPD: Shih-Wei Hsiao	DWG NO: 303-0000-1207
		Q'TY		CHKD: Yusan Hsiao	
				DR: Peng Huang 2/25/14	
				SCALE	SHEET
				N/A	1/3
				REV.	DX4

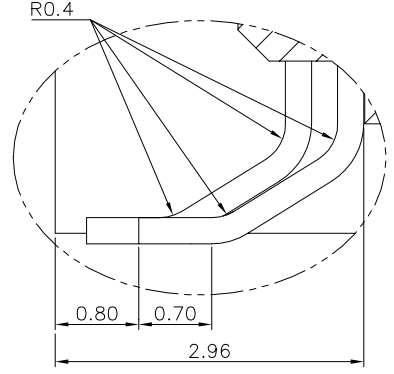
P/N LD2122\*-S04\*\*



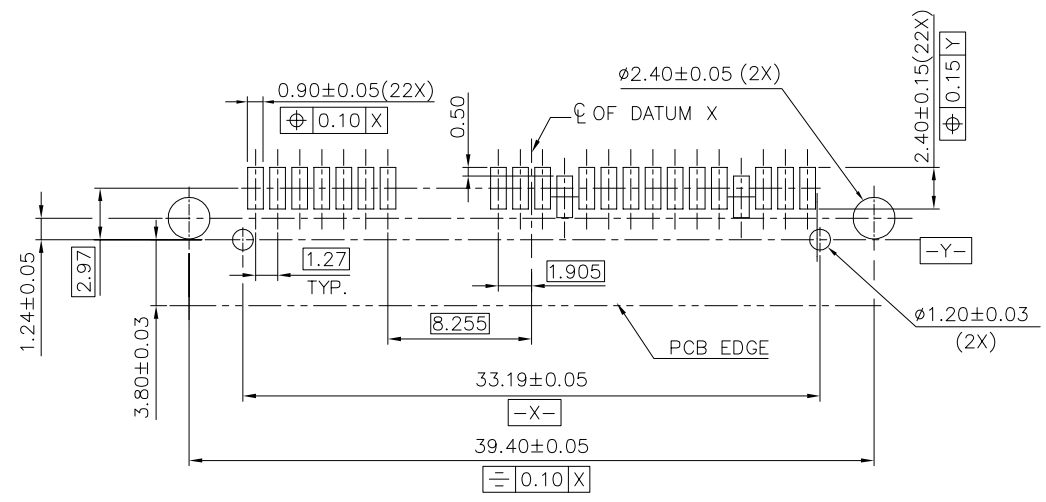
SEC A-A  
SCALE 3:1



DETAIL M-1  
REMOVE POST  
BESIDES P4 & P12



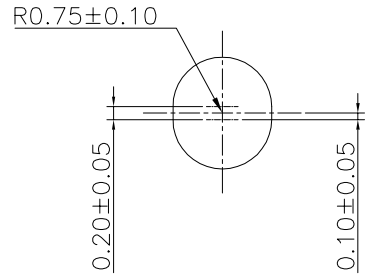
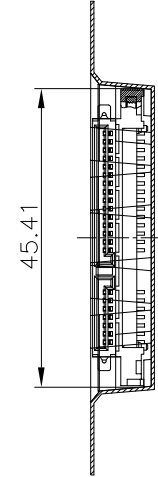
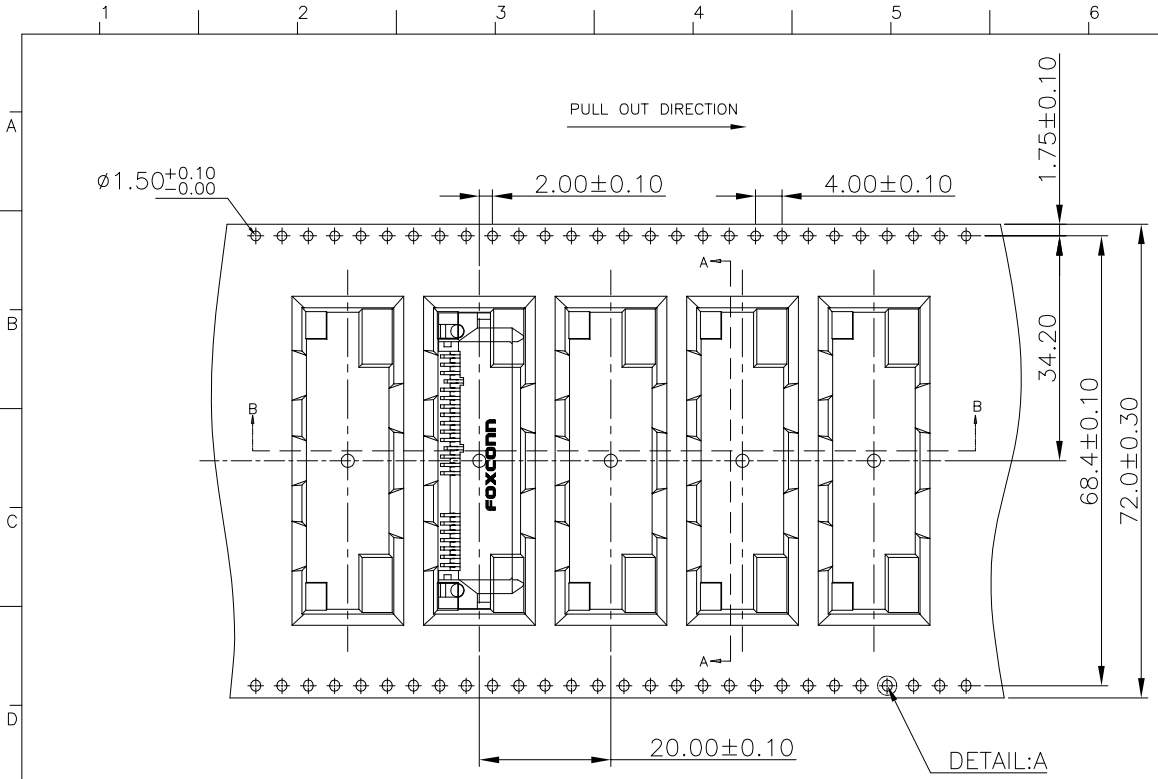
DETAIL M-2  
REMOVE POST  
P4 & P12 ONLY



RECOMMENDED P.C.B. LAYOUT

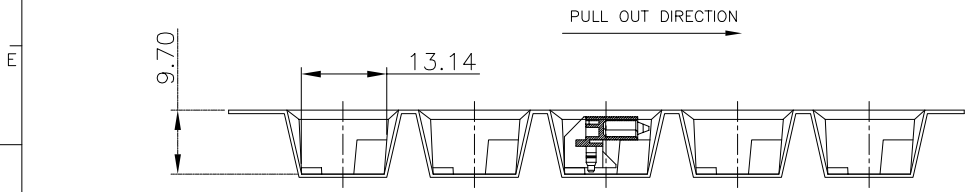
P/N		LD2122*-S04**	
x.±	x° ± 1°	UNITS	mm
.x± 0.30	.x°±	MAT'L	
.xx± 0.20	.xx°±		
.xxx± 0.15	.xxx°±	FINISH	
THESE DRAWINGS AND SPECIFICATIONS ARE THE PROPERTY OF HON HAI PRECISION IND. CO., LTD. AND SHALL NOT BE REPRODUCED, COPIED OR USED IN ANY MANNER WITHOUT THE PRIOR WRITTEN CONSENT OF HON HAI PRECISION IND. CO., LTD.		QTY	
NAME(INTENDED USE)		SERIAL ATA	
PART NO.(INTENDED USE)		LD21 SERIES	
APPD:		Shih-Wei Hsiao	
CHKD:		Yusan Hsiao	
DR:		Peng Huang 2/25/14	
TITLE:		CUSTOMER DRAWING RECEPTACLE, 22 POS, R/A, SMT	
DWG NO.:		303-0000-1207	
SCALE		SHEET	
N/A		2/3	
REV.		DX4	

REV.	ECN NO.	APPD.

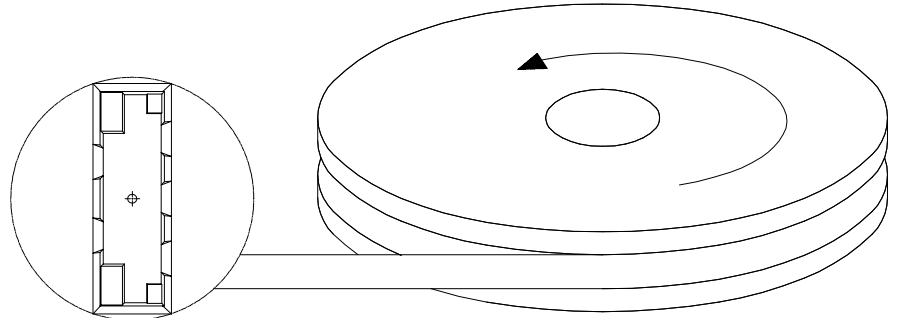


DETAIL:A  
SCALE 10:1

SECTION A-A



SECTION B-B



X.±	X'±2'	UNITS mm	NAME(INTENDED USE)	<b>FOXCONN</b>
.X±0.30	.X'±	MAT'L	SERIAL ATA	HON HAI PRECISION IND. CO.,LTD. TAIPEI, TAIWAN, R.O.C.
.XX±0.15	.XX'±	FINISH	PART NO.(INTENDED USE)	TITLE:
.XXX±	.XXX'±		LD2122*-S04T*	CARRIER TAPE
THESE DRAWINGS AND SPECIFICATIONS ARE THE PROPERTY OF HON HAI PRECISION IND. CO., LTD. AND SHALL NOT BE REPRODUCED, COPIED OR USED IN ANY MANNER WITHOUT THE PRIOR WRITTEN CONSENT OF HON HAI PRECISION IND. CO., LTD.			APPD: Shih-Wei Hsiao	DWG NO.:
			CHKD: Yusan Hsiao	303-0000-1207
			DR: Peng Huang 2/25/14	SCALE SHEET REV. 1:1 3/3 DX4

# SPECIFICATIONS :

## 1. MATERIAL AND FINISH :

1-1. HARMFUL MATERIAL CONTROL PLEASE FOLLOW DOC. NO. "EPI12".

1-2. HOUSING : PA9T,UL94V-0, COLOR BLACK.  
CAP: LCP E130I UL94V-0,COLR BLACK

1-3. CONTACT :

COPPER ALLOY, NICKEL PLATING OVER ALL, THICKNESS 50u" MIN.,  
TIN PLATING OVER NICKEL, ON SOLDER AREA, THICKNESS 100u"MIN.,  
GOLD PLATING OVER NICKEL ON CONTACT AREA.

1-4. NUT :

FREE CUT BRASS, NICKEL PLATING OVER ALL, THICKNESS 40u" MIN.,

## 2. ELECTRICAL :

2-1. LOW LEVEL CONTACT RESISTANCE (DRY CIRCUIT) :

EIA-364-23, 30 MILLIOHMS MAX. INITIAL.

2-2. DIELECTRIC WITHSTANDING VOLTAGE :

EIA-364-20, METHOD B, 500 VAC. AT SEA LEVEL.

2-3. INSULATION RESISTANCE : EIA-364-21, 1000 MEGAOHMS MIN..

2-4. CURRENT RATING (POWER SEGMENT) : 1.5 Amps MAX. PER PIN.

## 3. MECHANICAL :

3-1. INSERTION FORCE : EIA-364-13, 20N MAX.

3-2. REMOVAL FORCE : EIA-364-13, 4N MIN.

3-3. DURABILITY : EIA-364-09, 500 CYCLES.

## 4. ENVIRONMENTAL :

4-1. PHYSICAL SHOCK : EIA-364-27, CONDITION H.

4-2. VIBRATION : EIA-364-28, CONDITION V TEST LETTER A.

4-3. HUMIDITY : EIA-364-31, METHOD II TEST CONDITION A.

4-4. TEMPERATURE LIFE : EIA-364-17, TEST CONDITION III, METHOD A.

4-5. MIXED FLOWING GAS : EIA-364-65, CLASS 2A.

4-6. OPERATING TEMPERATURE : -55°C TO +85°C.

**FOXCONN** HON HAI PRECISION IND. CO.,LTD.  
TAIPEI, TAIWAN, R.O.C.

APPD. :  
Shih-Wei Hsiao

TITLE : SPECIFICATION  
SATA,SMT,R/A,22 POS.

CHKD. :  
Yusan Hsiao

PROD. SERIES : LD2122\*-S04\*\*

DR. :  
Peng Huang  
12/18'13

DWG. NO : 303-0300-1207

REV. : CX1 SHEET : 1/1

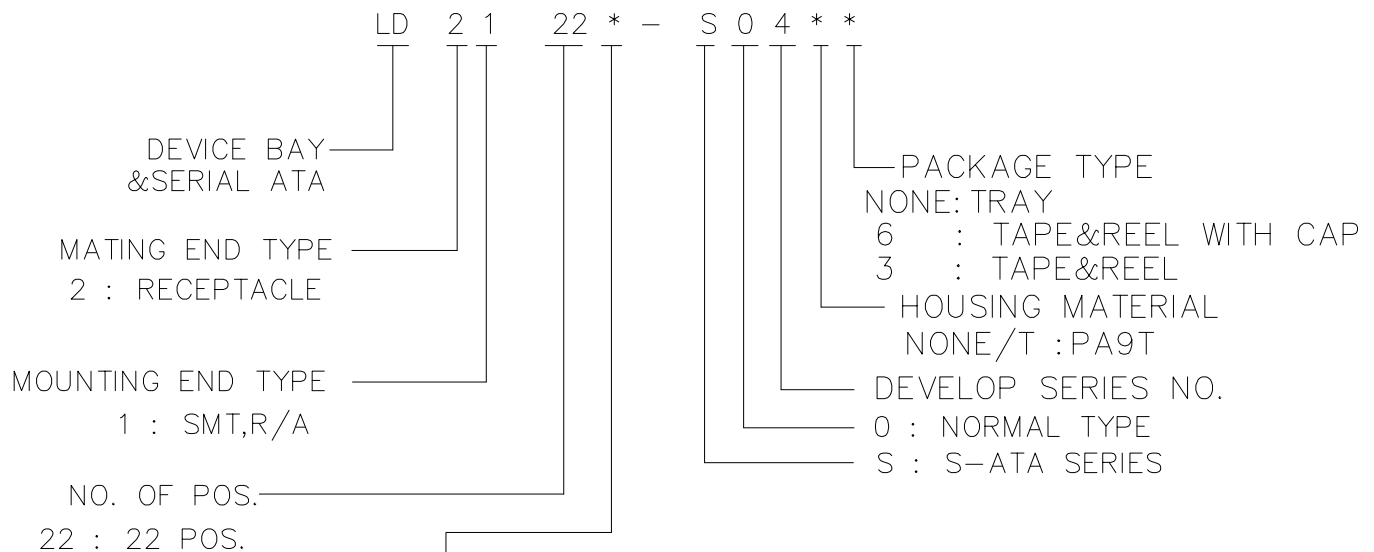
C	HC054175	Ady Zhou 5/11'05
B	HC050786	Ady Zhou 1/31'05
A	HC0411433	Ady Zhou 12/14'04
REV.	ECN NO.	APPD.

ITEM	DESC.	Q'TY	MATERIAL	TREATMENT	REMARK
1	HOUSING	1	PA9T,UL 94V-0	MOLDED BLACK	
2	CAP	1	LCP,UL 94V-0	MOLDED BLACK	
3	CONTACT	22	COPPER ALLOY , PHOSPHOR BRONZE	A) NICKEL PLATING OVER ALL THICKNESS : 50 u" MIN. B) GOLD PLATING OVER NICKEL. ON CONTACT AREA C) TIN PLATING OVER NICKEL. ON SOLDER AREA THICKNESS : 100u" MIN.	
4	SPACER	1	PA9T,UL 94V-0	MOLDED BLACK	
5	NUT	2	FREE CUT BRASS	NICKEL PLATING OVER ALL THICKNESS : 40 u" MIN.	

NOTES :

1.HARMFUL MATERIAL CONTROL PLAESE FOLLOW DOC NO."EPI12".

2.PRODUCT NO. MATRIX:



MATING AREA PLATING:

F: GOLD FLASH(3u") WITH LEAD FREE

H: 30u" GOLD WITH LEAD FREE

V: 15u" GOLD WITH LEAD FREE

**FOXCONN** HON HAI PRECISION IND. CO.,LTD.  
TAIPEI, TAIWAN, R.O.C.

APPD. : Shih-Wei Hsiao

TITLE : MATERIAL,SHEET  
SMT,R/A,22 POS,SATA

CHKD. : Yusan Hsiao

PROD. SERIES : LD2122\*-S04\*\*

DR. : Peng Huang  
2/14'14

DWG. NO : 303-0500-1207

C	HC054176	Ady Zhou 5/11'05
B	HC050787	Ady Zhou 1/13'05
A	HC0411434	Ady Zhou 12/14'04
REV.	ECN. NO	APPD.

REV. : CX2 SHEET : 1/1

## X-ON Electronics

Largest Supplier of Electrical and Electronic Components

*Click to view similar products for [Foxconn](#) manufacturer:*

Other Similar products are found below :

[AS0A821-H2RB-7H](#) [PE41897-01NK5-1H](#) [JFM3811J-G140-4F](#) [QT012206-1031-2H](#) [UC11123-11KB-4F](#) [UEA11123-8EZ3-4H](#) [2EG04927-D2LN-DF](#) [SJ05201-A0](#) [UEA11123-QHD6-4H](#) [UB1112C-8FDE-4F](#) [3H993321-4M41-01H](#) [ATF5883-A2B30-2F](#) [ATF5883-A2B20-2F](#) [WNMBL60-1NNK0-EH](#) [WNMBP06-01NK0-EH](#) [HM3505E-P1](#) [AH58897-T2B20-3F](#) [DZ11AA1-H5A7-4F](#) [ASAA821-H4SB5-7H](#) [PE36473-01NK3-1H](#) [PE36473-01NK4-1H](#) [QH11121-DBT1-4F](#) [BBH1231-C1000-7H](#) [ATH4017-H3B-4F](#) [3S1020F3-AD4-4F](#) [2EF5B57-DA9DN-5F](#) [UEA01123-4FH1-4H](#) [2EM5407-B19BL-8F](#) [LU11683-B007-9H](#) [HB3106F](#) [LDH2363-33N20-7H](#) [ATH4017-H9LE-4F](#) [UEA1112C-UHS6-4F](#) [2EF5497-DA9DB-8H](#) [LDP2683-13A50-9H](#) [JPD1030-M301-7F](#) [2E0BC21-S64BM-7H](#) [2EZ00161-PH2-4F](#) [HC11051-D4](#) [LD1807F-S54TD](#) [2EG24927-D5D1-JF](#) [ASOB226-S52Q-7H](#) [AS0A626-HASN-7H](#) [HF5504E-P1LH](#) [JA634C-40ADA5B-7H](#) [AS0A621-H2R6-7H](#) [QT002206-4131-3H](#) [JFM24U11-21C3-4F](#) [EH06003-DAW-DF](#) [AS0B221-S52Q-7H](#)